

SRAM[®] 2018 MTB/Road Hubs

Frame Fit
Specifications



Table of Contents

Predictive Steering™	5
X0™ Front Hubs	6
X0™ Boost™ 110 Hubs	7
X0™ Rear Hubs	8
X0™ Boost™ 148 Hubs	9
X0™ DH Hubs	10
900 Front Hubs	11
900 Boost™ Front Hubs	12
900 for Rear Hubs	13
900 Boost™ 148 Hubs	14
Front Hub End Caps	15
Rear Hub End Caps	16

X9™ Front Hubs	17
X9™ Front Hubs	18
X9™ Rear Hubs	19
X7™ / X9™ Hubs	20
MTH 716 / 746 Hubs	21
MTH 716 / 746 Boost™ 110 / 148 Hubs	22
MTH 406 / 506 Hubs	23
MTH 306 Hubs	24
MTH 300 Hubs	25

All dimensions are in millimeters unless otherwise noted.

Images in this document are not to scale.

Your product's appearance may vary slightly from the images in this document.

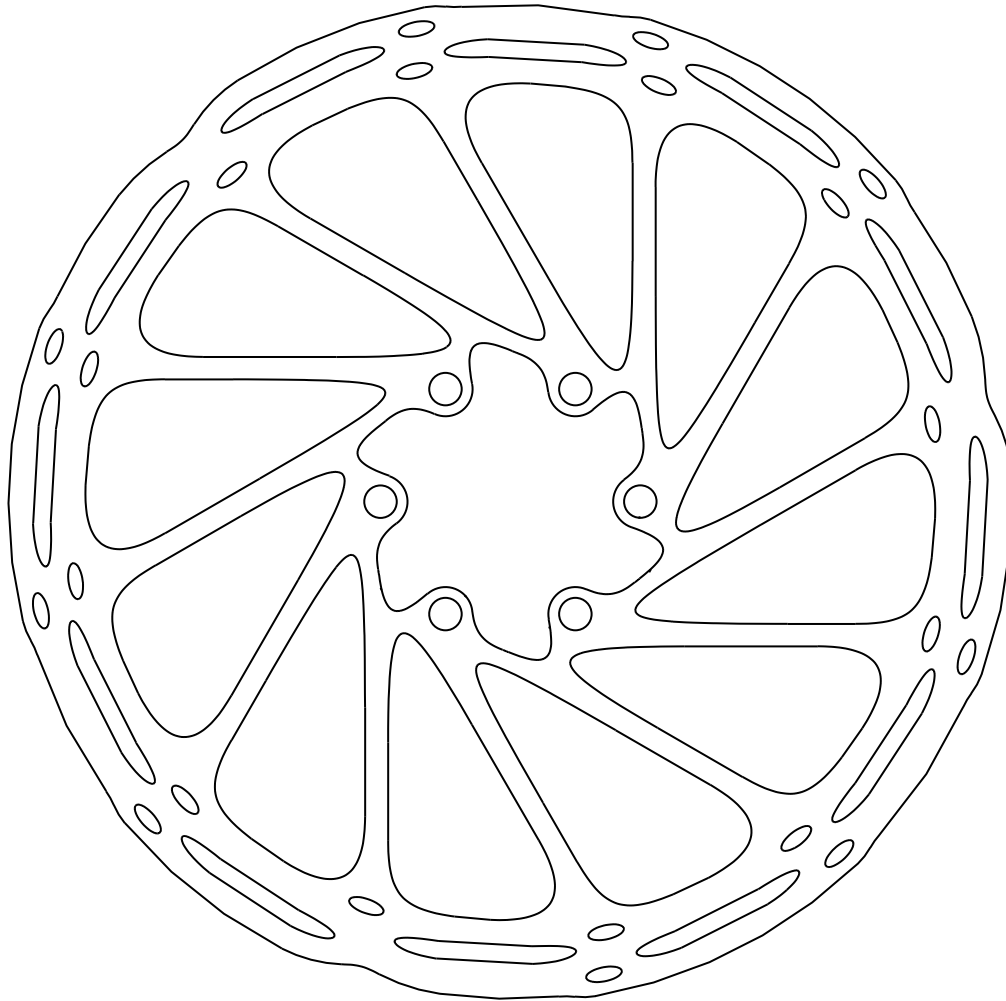
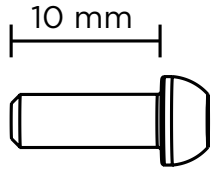
Information in this document is subject to change without prior notice.

If you have any questions please contact your SRAM representative.

Boost™ is a trademark owned by Trek Bicycle Corporation

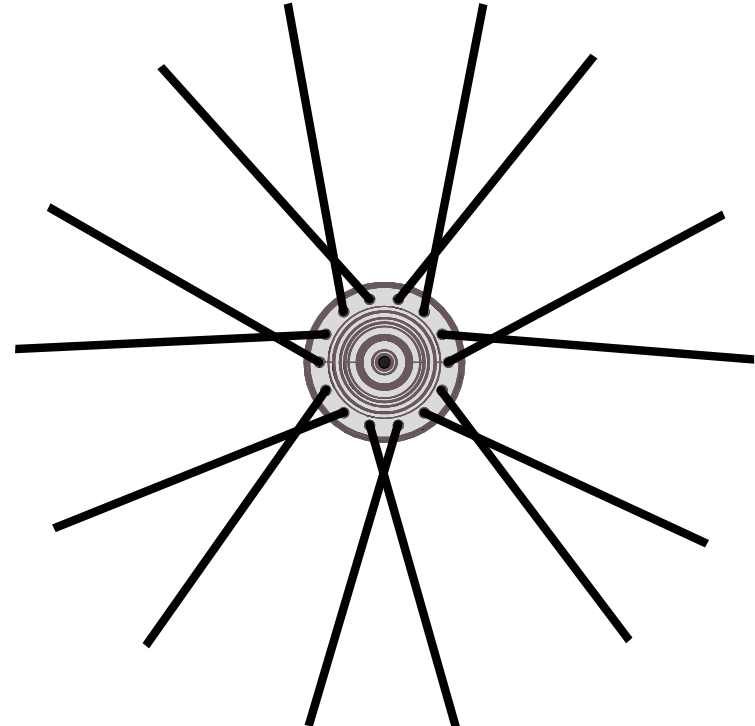
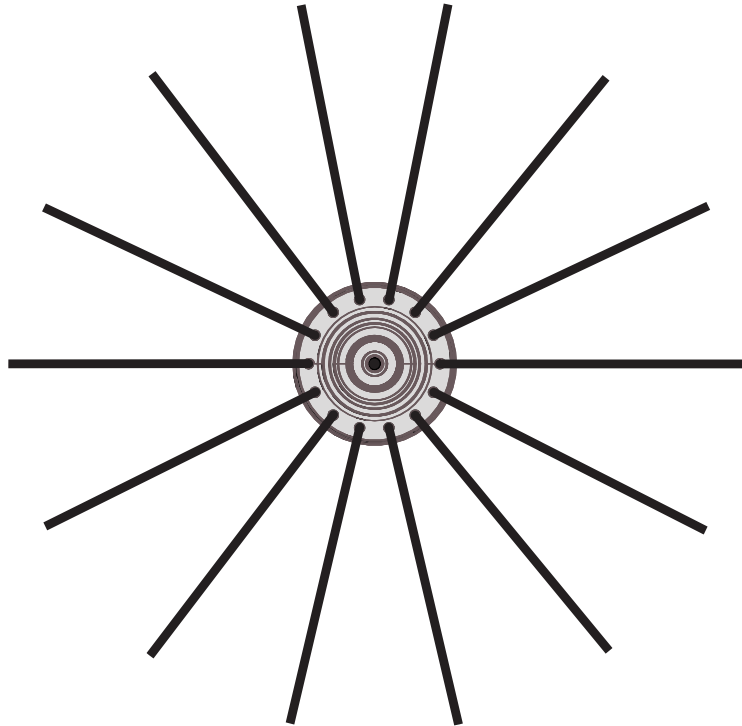
⚠ WARNING

Use only 10 mm length rotor bolts. Rotor bolts longer than 10 mm are not compatible with SRAM® hubs and will not secure the rotor to the wheel hub.

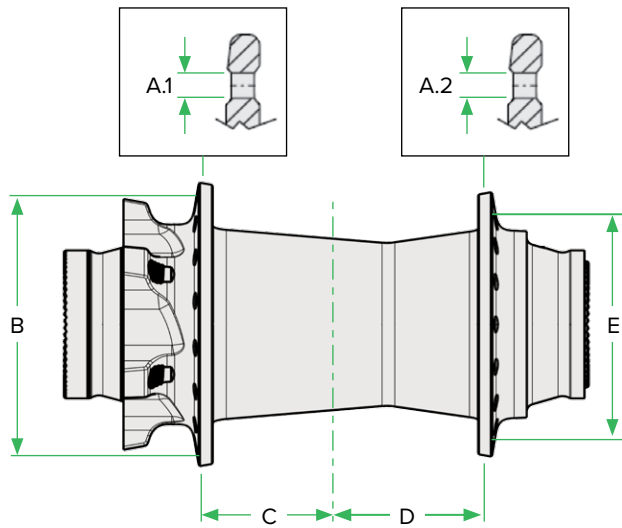


⚠ WARNING

DO NOT use radial or 1 cross lacing patterns as they may damage your hubs. Lacing patterns less than 2 cross will void your warranty.



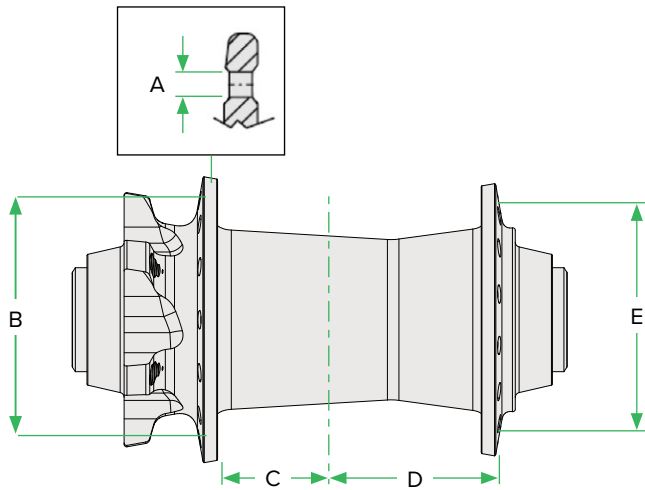
Predictive Steering™



Predictive Steering hubs do not have alternative end cap options and cannot be converted.

	Spoke Hole Count	A.1	A.2	B	C	D	E
Predictive Steering	32 28	2.7	2.7	50	26	34	46

X0™ Front Hubs

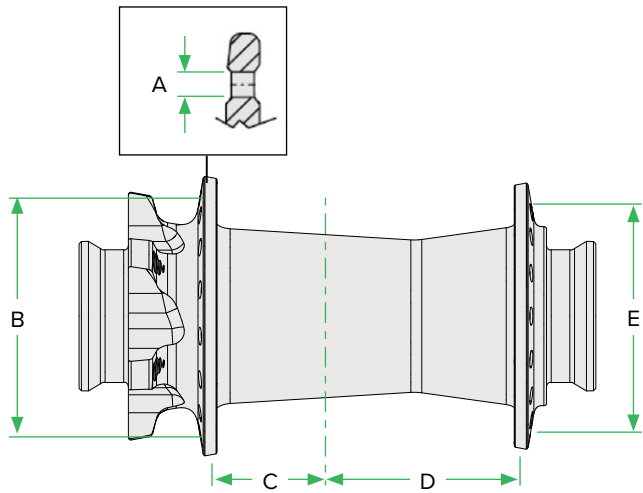


For front end cap options, refer to page 15.

	Spoke Hole Count	A	B	C	D	E
Quick Release						
15x100 Thru Axle	32	2.7	49	22	34	46.5
20x110 Thru Axle	28					

Thru Axle hubs equipped with Torque Cap end caps are only compatible with forks featuring Torque Cap compatible dropouts.

X0™ Boost™ 110 Front Hubs

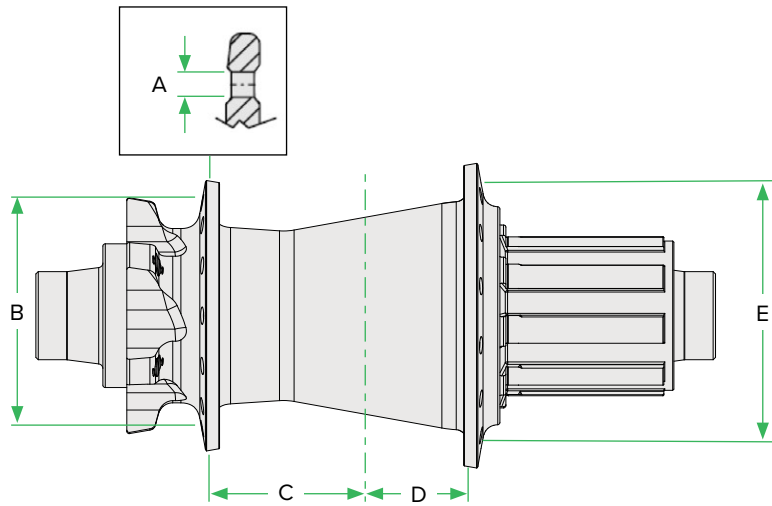


For front end cap options, refer to page 15.

	Spoke Hole Count	A	B	C	D	E
15x110 Thru Axle	32	2.7	49	27	39	46.5
20x110 Boost Thru Axle						

Thru Axle hubs equipped with Torque Cap end caps are only compatible with forks featuring Torque Cap compatible dropouts.

X0™ Rear Hubs

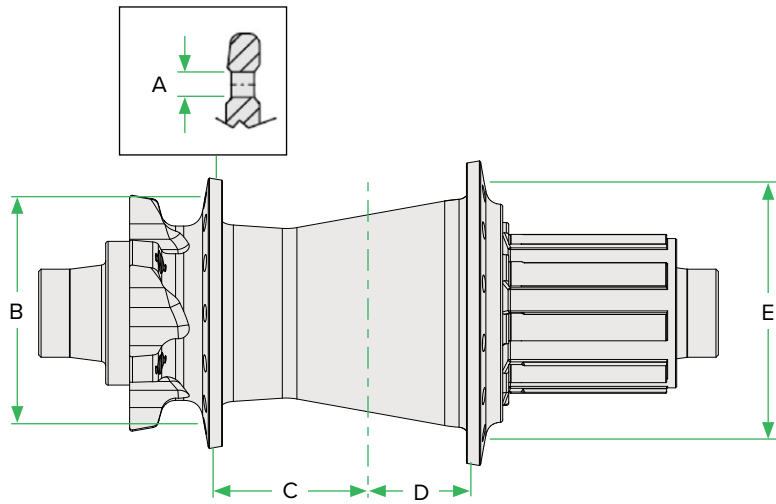


For rear end cap options, refer to page 16.

	Spoke Hole Count	A	B	C	D	E
Quick Release						
12x135 Thru Axle	32	2.7	50	34.25	20.5	57
12x142 Thru Axle	28					

These specifications are also applicable to hubs with an XD™ driver body.

X0™ Boost™ 148 Rear Hubs

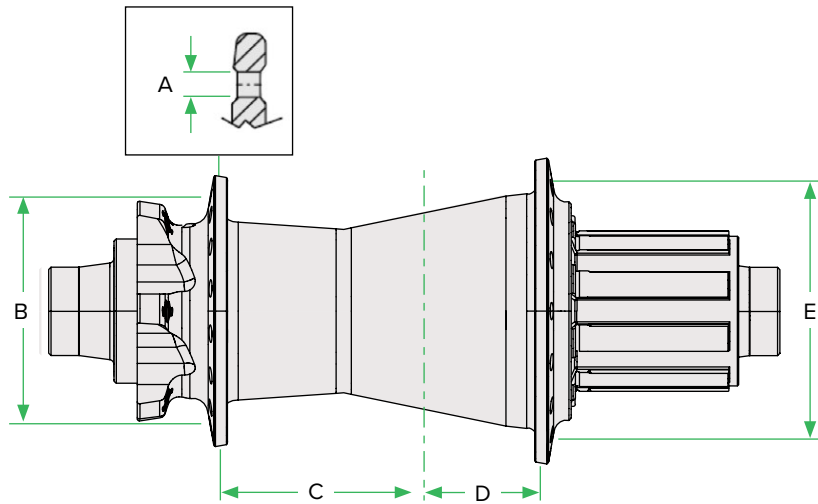


12x148 end caps only.

	Spoke Hole Count	A	B	C	D	E
12x148 Thru Axle	32	2.7	50	37.25	23.5	57

These specifications are also applicable to hubs with an XD™ driver body.

X0™ DH Rear Hubs

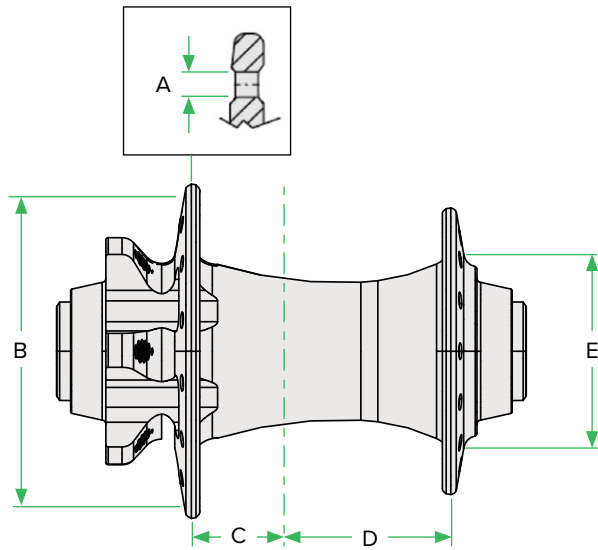


For rear end cap options, refer to page 16.

	Spoke Hole Count	A	B	C	D	E
12x150 Thru Axle	32	2.7	50	41.75	28	57
12x157 Thru Axle						

These specifications are also applicable to hubs with an XD™ driver body.

900 Front Hubs

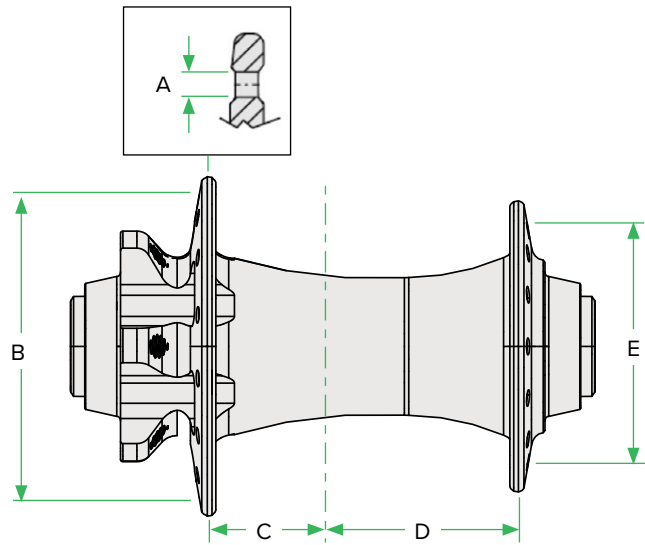


For front end cap options, refer to page 15.

	Spoke Hole Count	A	B	C	D	E
Quick Release						
12x100 Thru Axle	24	2.7	60	22	34	50
15x100 Thru Axle	28					
20x110 Thru Axle	32					

Thru Axle hubs equipped with Torque Cap end caps are only compatible with forks featuring Torque Cap compatible dropouts.

900 Boost™ Front Hubs

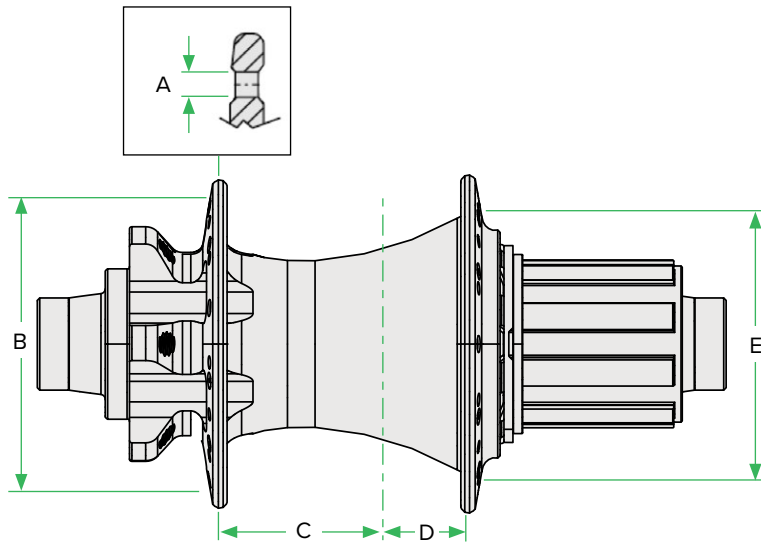


For front end cap options, refer to page 15.

	Spoke Hole Count	A	B	C	D	E
15x110 Thru Axle	28	2.7	60	27	39	50
20x110 Boost Thru Axle	32					

Thru Axle hubs equipped with Torque Cap end caps are only compatible with forks featuring Torque Cap compatible dropouts.

900 Rear Hubs

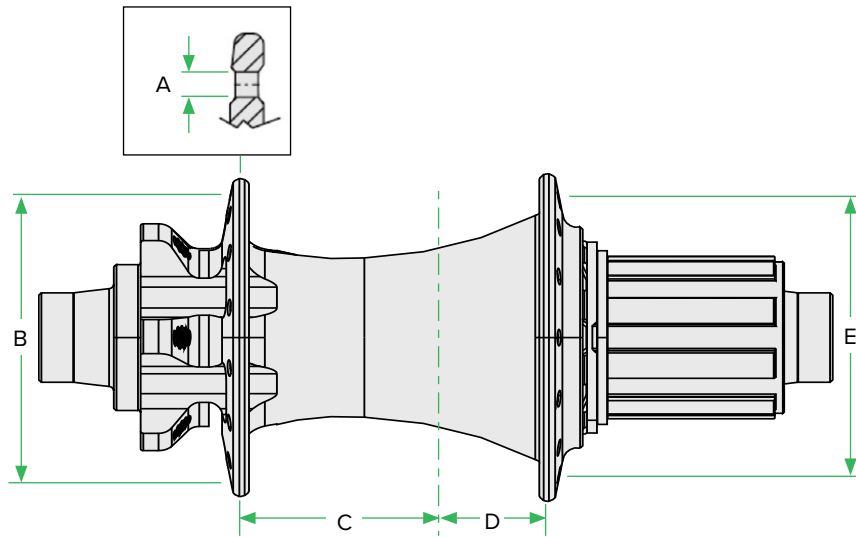


For rear end cap options, refer to page 16.

	Spoke Hole Count	A	B	C	D	E
10x135 Quick Release	24	2.7	58	34.25	20.5	60
12x135 Thru Axle	28					
12x142 Thru Axle	32					

These specifications are also applicable to hubs with an XD™ driver body.

900 Boost™ 148 Rear Hubs



For rear end cap options, refer to page 16.

	Spoke Hole Count	A	B	C	D	E
12x148 Thru Axle	28 32	2.7	58	37.25	23.5	60

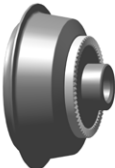
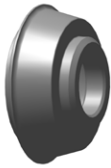










These specifications are also applicable with an XD™ driver body.

Front Hub End Caps

All listed end caps are compatible only with the following list of SRAM® front hubs and wheels:

SRAM Hubs: X0™ / 900

SRAM Wheels: RISE™ XX / RISE 60 / ROAM™ 60 / ROAM 50 / ROAM 40 / ROAM 30 / RAIL™ 50 / RAIL 40

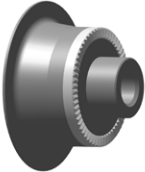





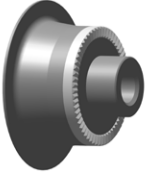
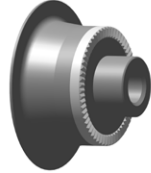

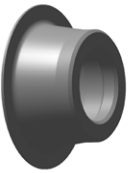


		9mm QR	12 mm	15 mm	15mm Torque Cap	20 mm	20 mm Boost™
Front Hub	Standard	9x100	12x100 (Road)	15x100	15x100	20x110	
	Boost			15x110	15x110		20x110
	Drive Side						
	Non-Drive Side						

Rear Hub End Caps

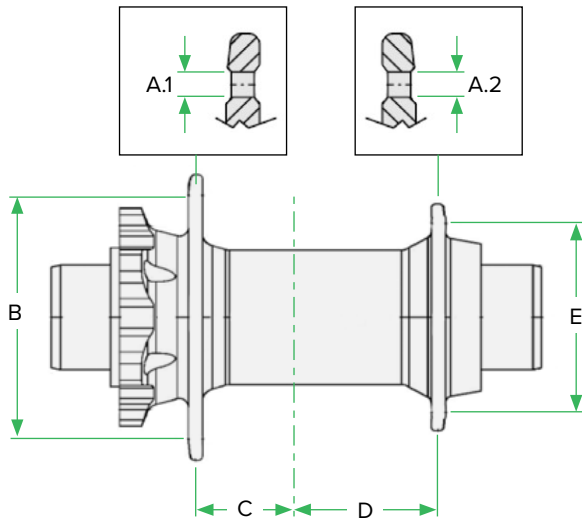
All listed end caps are compatible only with the following list of SRAM® rear hubs and wheels:

SRAM Hubs: X0™ / 900

SRAM Wheels: RISE™ XX / RISE 60 / ROAM™ 60 / ROAM 50 / ROAM 40 / ROAM 30 / RAIL™ 50 / RAIL 40

		10 mm QR Symmetrical	10 mm QR XD	12 mm Short Symmetrical	12 mm Short XD	12 mm Long Symmetrical	12 mm Long XD
	Standard	10x135	10x135 XD	12x135	12x135 XD	12x142	12x142 XD
	Boost™					12x148	12x148 XD
	DH			12x150	12x150 XD	12x157	12x157 XD
Rear Hub	Drive Side						
	Non-Drive Side						

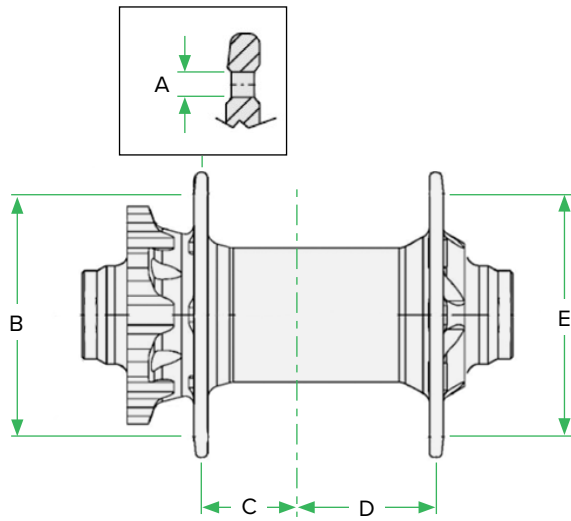
X9™ Front Hubs



X9 front hubs do not have alternative end cap options and cannot be converted.

	Spoke Hole Count	A.1	A.2	B	C	D	E
20x110 Thru Axle	32	2.5	2.7	58	22.65	31.85	45

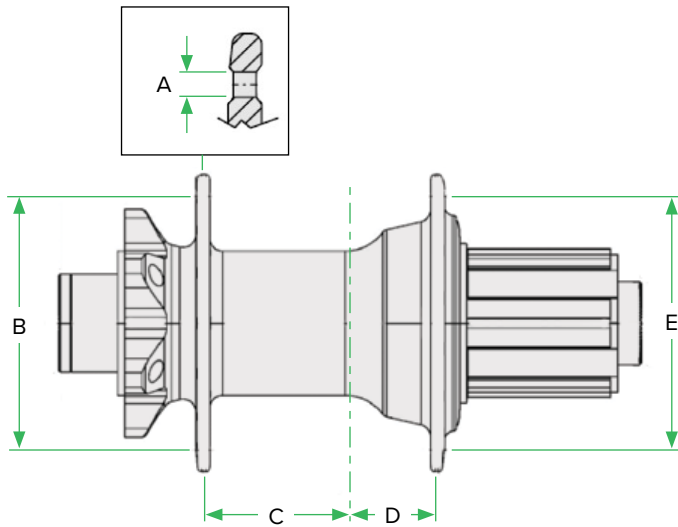
X9™ Front Hubs



X9 front hubs do not have alternative end cap options and cannot be converted.

	Spoke Hole Count	A	B	C	D	E
15x100 Thru Axle	32	2.5	58	22.4	32.4	58

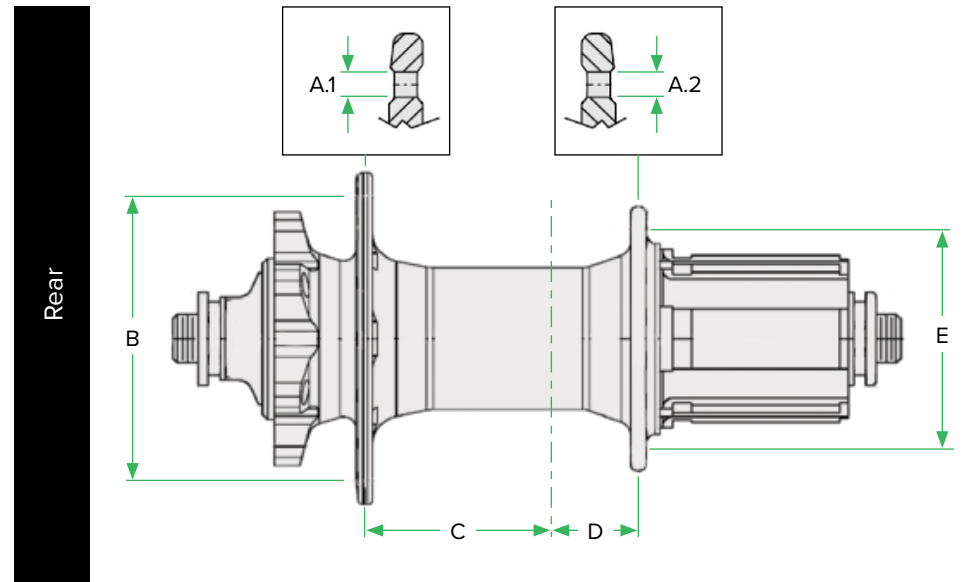
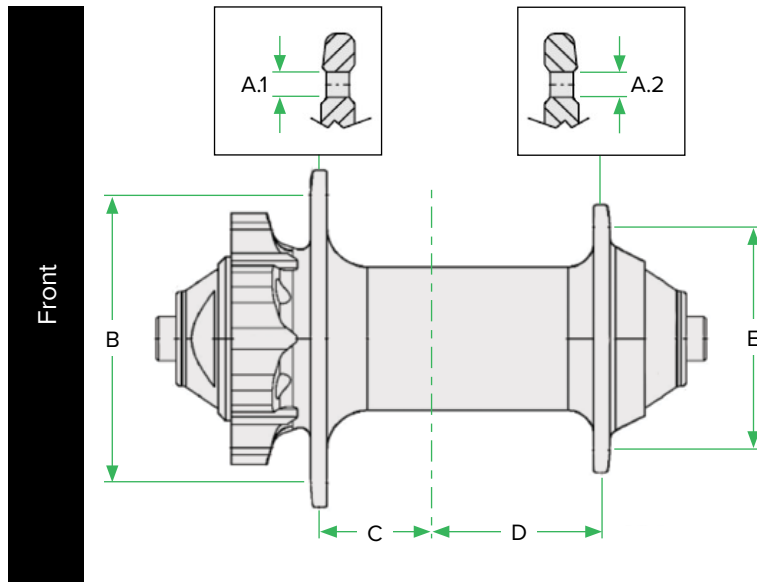
X9™ Rear Hubs



X9 rear hubs do not have alternative end cap options and cannot be converted.

	Spoke Hole Count	A	B	C	D	E
12x135 Thru Axle	32	2.5	58	34.15	20.35	58
12x142 Thru Axle				34.25	20.25	

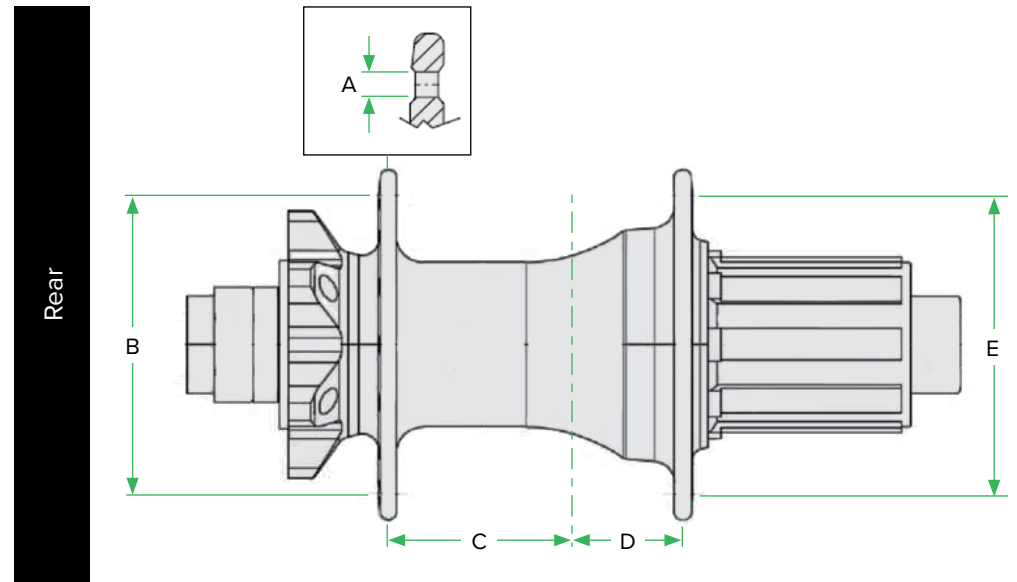
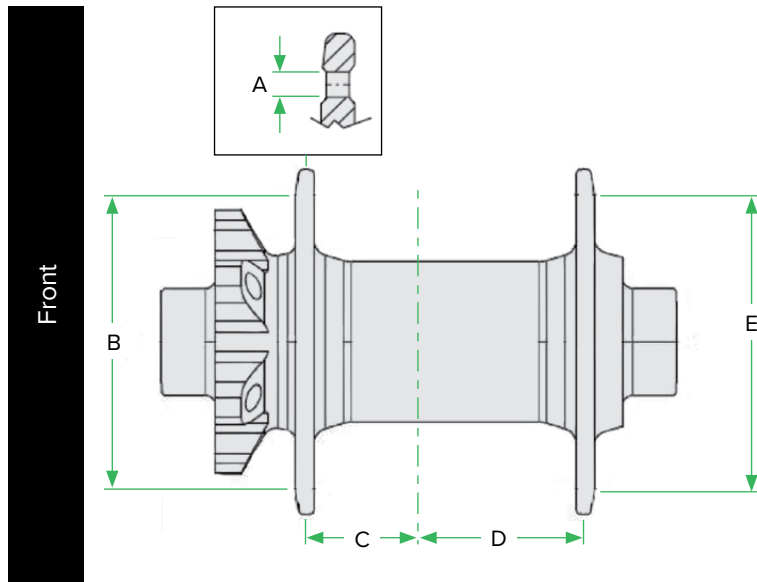
X7™ / X9™ Hubs



	Spoke Hole Count	A.1	A.2	B	C	D	E
9x100 QR	32	2.5	2.7	58	22.05	33.45	45
10x135 QR					34.4	20.4	

X7 and X9 hubs do not have alternative end cap options and cannot be converted.

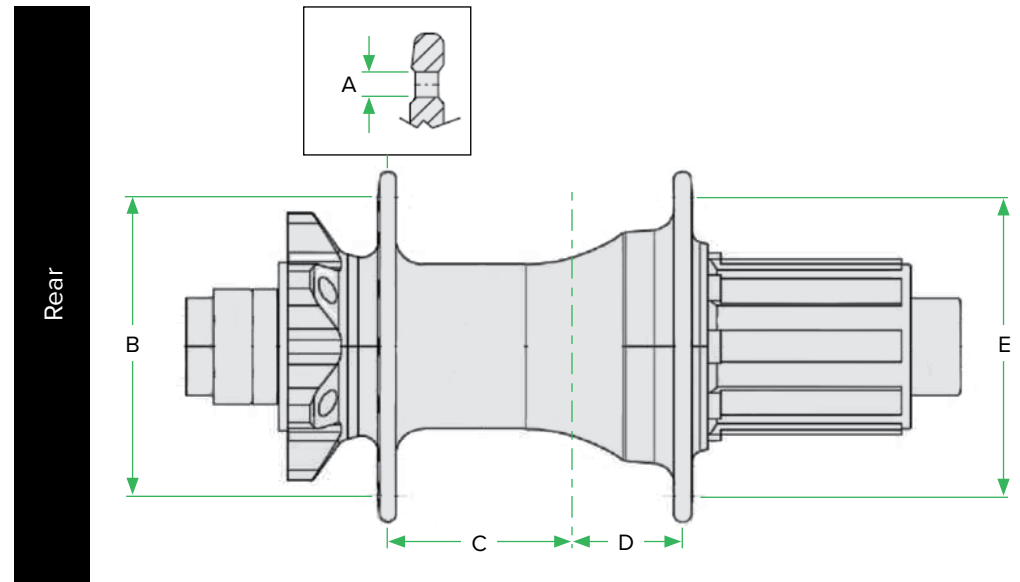
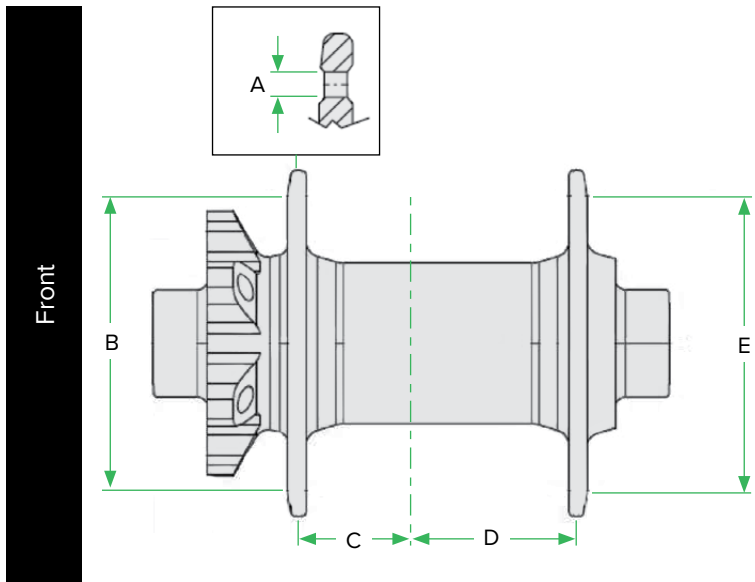
MTH 716 / 746 Hubs



	Spoke Hole Count	A	B	C	D	E
15x100 Thru Axle	32	2.5	58	22.3	32.3	58
12x142 Thru Axle				34	20.4	

MTH 716 and 746 hubs do not have alternative end cap options and cannot be converted.

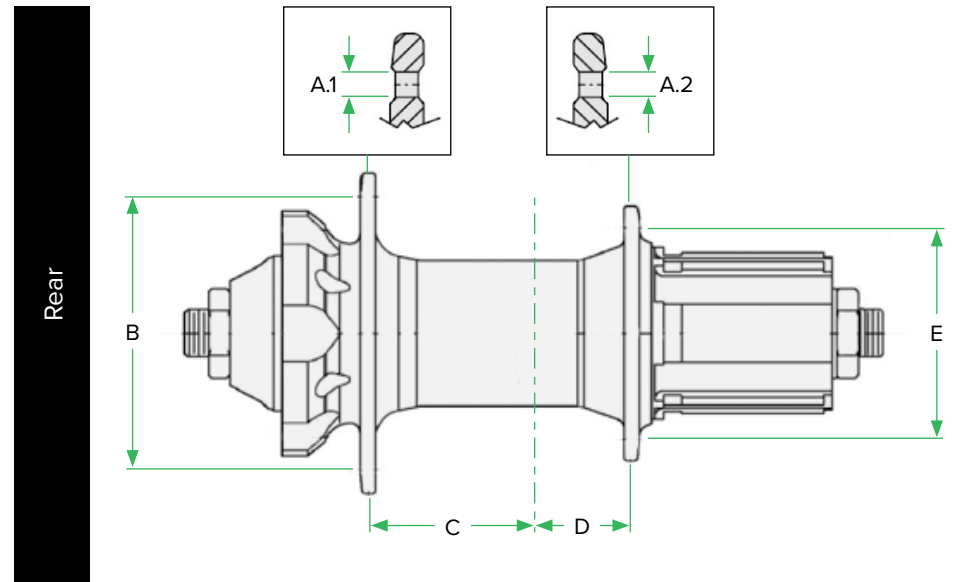
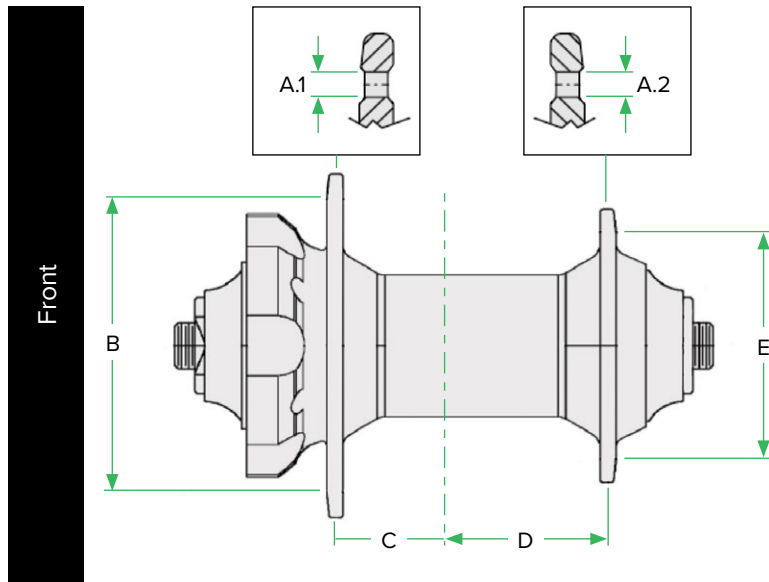
MTH 716 / 746 Boost™ 110 / 148 Hubs



	Spoke Hole Count	A	B	C	D	E
15x110 Thru Axle	32	2.5	58	25.5	35.5	58
12x148 Thru Axle				35.6	21.6	

MTH 716 and 746 Boost 110 and 148 hubs do not have alternative end cap options and cannot be converted.

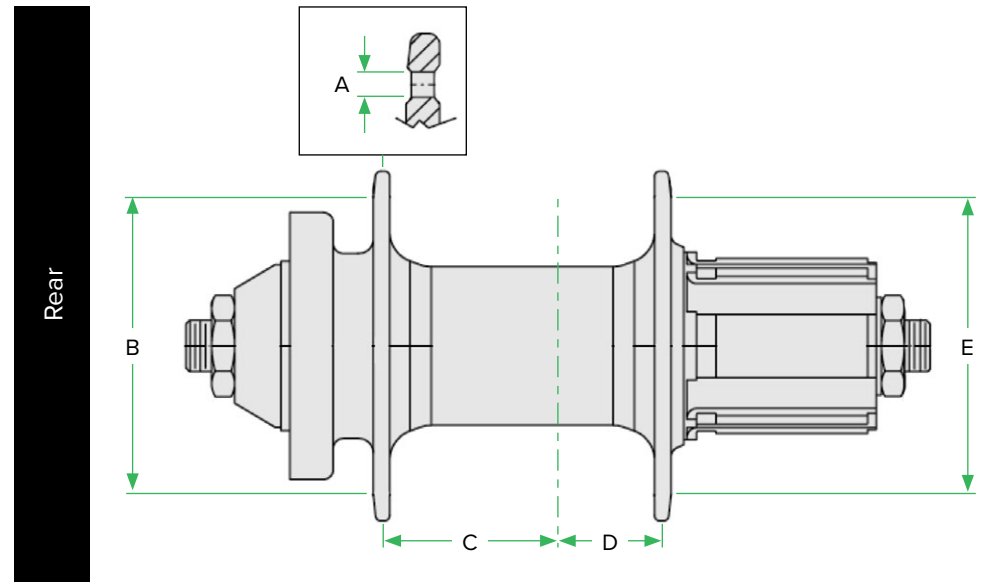
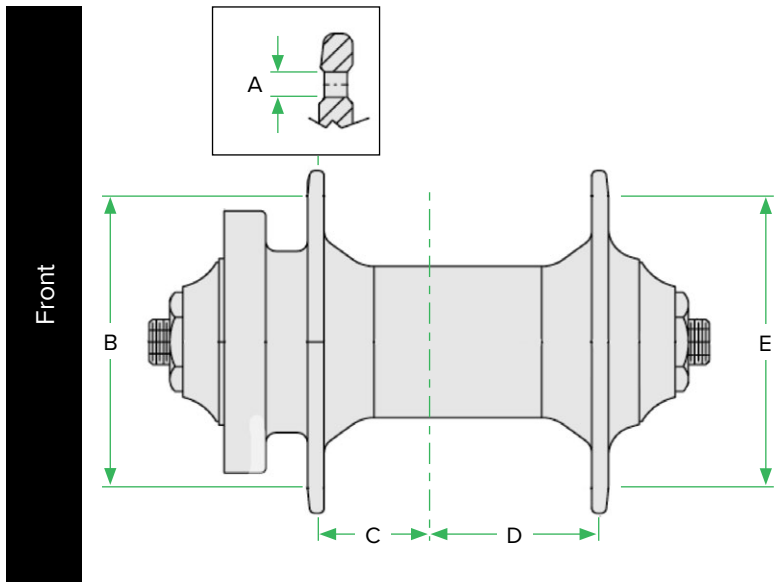
MTH 406 / 506 Hubs



	Spoke Hole Count	A.1	A.2	B	C	D	E
9x100 QR	32	2.5	2.7	58	21.9	32.9	45
10x135 QR					34.4	20.4	

MTH 406 and hubs do not have alternative end cap options and cannot be converted.

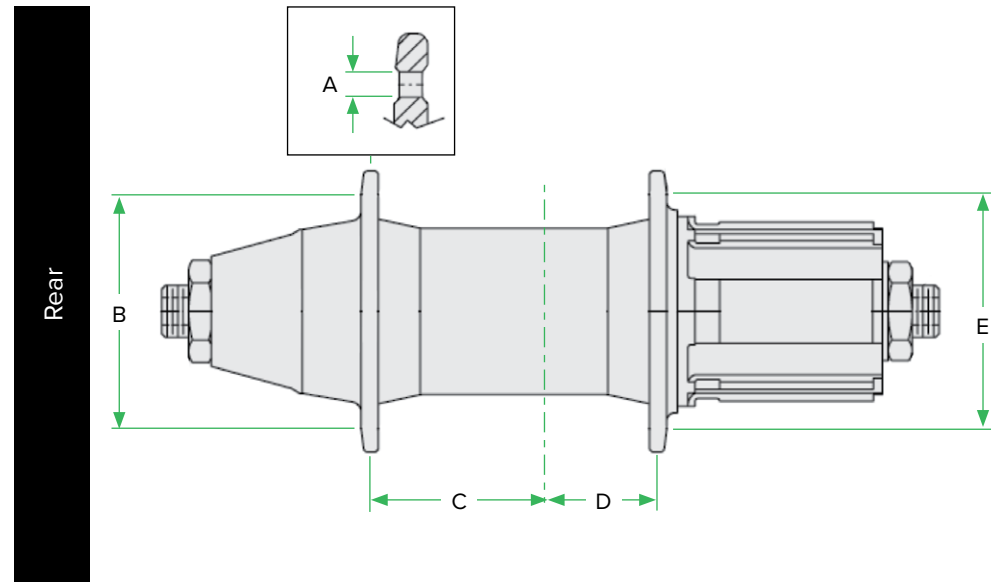
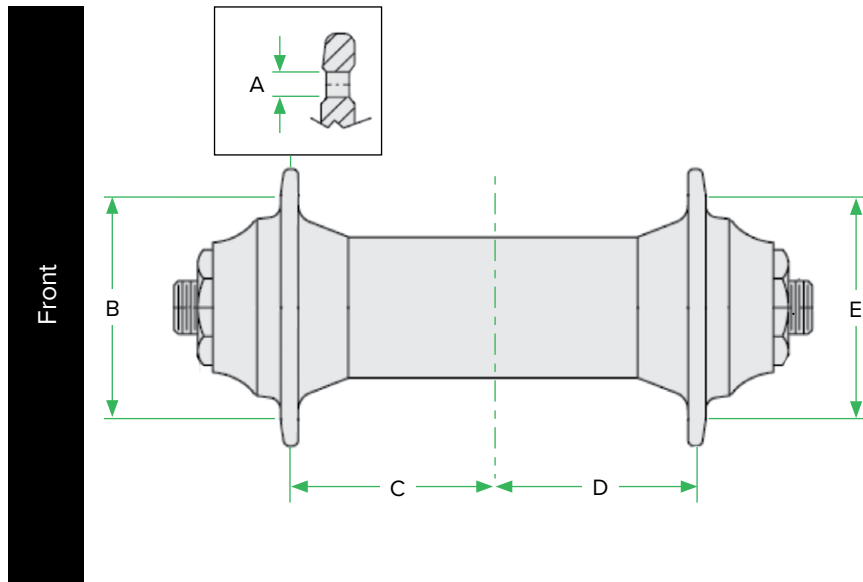
MTH 306 Hubs



	Spoke Hole Count	A	B	C	D	E
9x100 QR	32	2.5	58	21.8	33	58
10x135 QR				34.4	20.4	

MTH 306 hubs do not have alternative end cap options and cannot be converted.

MTH 300 Hubs



	Spoke Hole Count	A	B	C	D	E
9x100 QR	32	2.5	38	34.5	34.5	38
10x135 QR			45	33.7	20.1	45

MTH 300 hubs do not have alternative end cap options and cannot be converted.

SRAM®

www.sram.com



ASIAN HEADQUARTERS
SRAM Taiwan
No. 1598-8 Chung Shan Road
Shen Kang Hsiang, Taichung City
Taiwan R.O.C.

WORLD HEADQUARTERS
SRAM LLC
1000 W. Fulton Market, 4th Floor
Chicago, Illinois 60607
U.S.A.

EUROPEAN HEADQUARTERS
SRAM Europe
Paasbosweg 14-16
3862ZS Nijkerk
The Netherlands