

**SRAM**



SPARE PARTS CATALOG

**1202**

**ZIPF**

---

## SRAM® ORIGINAL PARTS

### CAUTION:

The SRAM Warranty policy does not cover damages caused by the use of non-SRAM parts.

Use only SRAM parts with SRAM components.

Installation of parts and accessories not originally intended could result in less than optimal performance and/or injury.

For in-depth service information on SRAM products, refer to our website at [www.sram.com/service](http://www.sram.com/service). Contact your local SRAM distributor or dealer for ordering information.

Information contained in this publication is subject to change at any time without prior notice. Your product's appearance may vary from the diagrams contained in this catalog.

# TABLE OF CONTENTS

## Wheels

Model	Hub	Page	Model	Hub	Page
<u>101</u>			<u>353 NSW</u>		
WH-101-XPLR-A1	ZR1 DB	5/6	WH-353-NTLD-A1	Cognition V2 DB	18/19
<u>MOTO</u>			<u>454 NSW</u>		
3ZERO	ZM1 DB	7	WH-454-NTLD-B1	Cognition V2 DB	20/21
	ZM2 DB	8	WH-454-NTUD-B1	Cognition V2 DB	20/21
	Rims	9			
<u>303 Firecrest</u>			<u>858 NSW</u>		
WH-303-F650-A1	ZR1 DB	10/11	WH-858-NTLD-B1	Cognition V2 DB	22/23
WH-303-FTLD-A1	ZR1 DB	10/11			
WH-303-FTLR-A1	ZR1 RB	10/11	<u>TRACK Wheels</u>		
WH-303-FTUD-A1	ZR1 DB	10/11	WH-404-TUTK-A1	333	24
WH-303-FTUR-A1	ZR1 RB	10/11	WH-808-TUTK-A1	333	24
			900 /SP9 TRACK		25
<u>303 S</u>			<u>DISC Wheels</u>		
WH-303-STLD-A1	76D / 176D	12/13	WH-SP9-TLD-A1	177	26/27
<u>404 Firecrest</u>			WH-SP9-TLR-A1	188	26/27
WH-404-FTLD-B1	ZR1 DB	14/15	WH-SP9-TUD-A2	177	26/27
WH-404-FTLR-A1	ZR1 RB	14/15	WH-SP9-TUR-A2	188	26/27
<u>808 Firecrest</u>					
WH-808-FTLD-A1	ZR1 DB	16/17			
WH-808-FTLR-A1	ZR1 RB	16/17			

## Legacy hubs

Cognition V1 (1st GEN)	28/29
Cognition V1 (2nd GEN RB)	28/29
Cognition V2 (RB)	30/31
Cognition V1 (DB)	32/33
76/176 Rim brake	34
76/176 Disc brake	35
77/177 Rim brake	36
77/177 Disc brake	37
30/60	38
88/188	39

## Overview pages

Spokes		40/41
Conversion & End caps	9mm	42/43
	12mm	44/45
	10mm	45
	15mm	45
Decals		46

---

## TABLE OF CONTENTS

### Handlebars

Model	Page
Vuka Clip	47
Vuka Clip Alumina	48
Vuka Aero (<2018)	49
Vuka Aero C1 (>2018)	50
Vuka Stealth	51

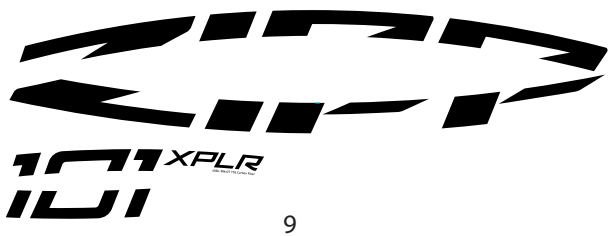
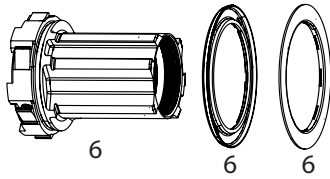
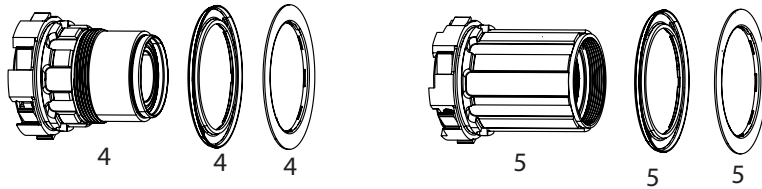
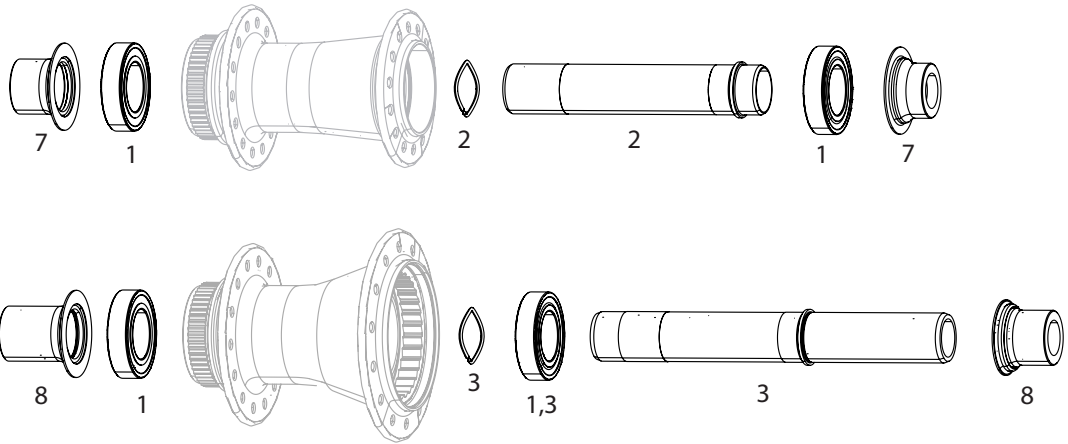
### Seatposts

Model	Page
SL Speed B1	52
Service Course SL	53
Service Course B1	54

### Stems

Model	Page
SL Sprint	55
SL Speed	56
Service Course SL/SL-OS B1	57

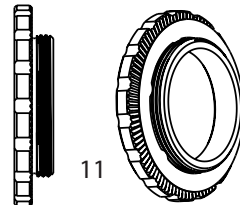




9



10



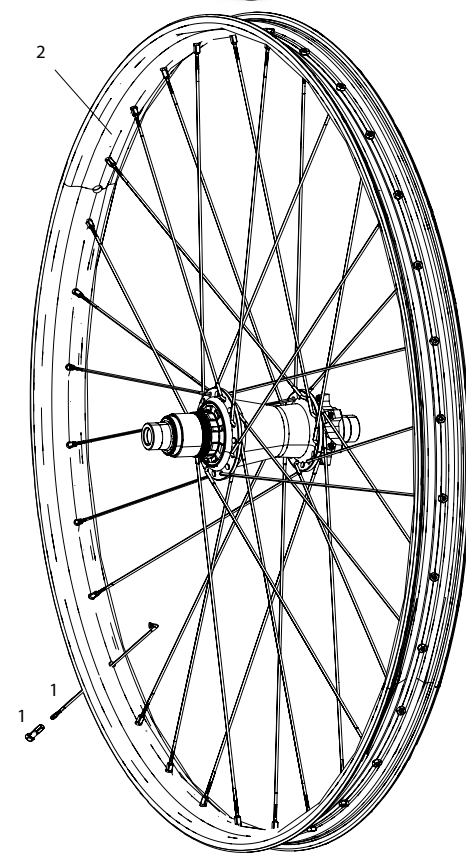
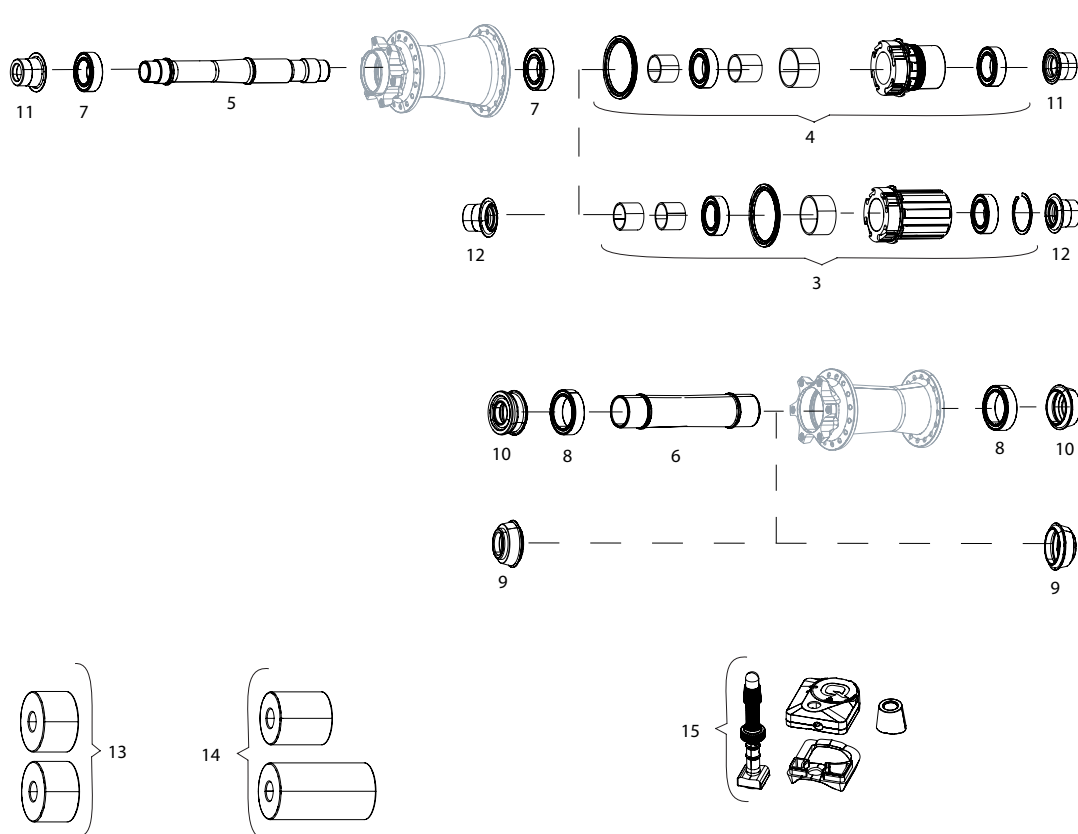
11

12

NO.	PART NUMBER	DESCRIPTION
<b>Hub</b>		
1	11.2018.061.003	WHEEL BEARING KIT FRONT/REAR 76/77 176/177 DISC, REAR 176/177 RIM, ZR1 61903 QTY 2
2	11.2018.064.010	WHEEL AXLE - FRONT - ZIPP ZR1 (AXLE AND WAVE SPRING)
3	11.2018.064.013	WHEEL AXLE - REAR - ZIPP ZR1 DISCBRAKE (AXLE INCLUDING BEARING DS AND WAVE SPRING)
4	00.2018.015.000	WHEEL FREEHUB KIT - XDR DRIVER BODY KIT - 12X142 / QR - ZIPP ZR1
5	11.2018.064.012	WHEEL FREEHUB KIT - 11 SPEED DRIVER BODY KIT - 12X142 / QR - ZIPP ZR1
6	11.2018.064.017	WHEEL FREEHUB KIT - CAMPAGNOLO DRIVER BODY KIT - CENTERLOCK DISC / RIM BRAKE - ZIPP ZR1
7	11.2018.064.003	WHEEL AXLE END CAP SET FRONT - DISC - 12x100 - ZR1 HUBS
ns	11.2018.064.018	WHEEL AXLE END CAP SET FRONT - 15X100 - ZR1 HUBS
ns	11.2018.064.016	WHEEL AXLE END CAP SET FRONT - QR CENTERLOCK DISC - ZR1 HUBS
ns	11.2018.064.015	WHEEL AXLE END CAP SET REAR - QR CENTERLOCK DISC - ZR1 HUBS
8	11.2018.064.005	WHEEL AXLE END CAP SET REAR - 12X142 - XDR AND 11 SPEED - ZR1 HUBS
ns	11.2018.058.000	WHEEL AXLE END CAP REAR DRIVE SIDE ONLY COGNITION NSW AND ZR1 (FOR CAMPAGNOLO DRIVERS)
ns	11.2018.064.019	WHEEL AXLE END CAP SET REAR - 12X142 - CAMPAGNOLO - ZR1 HUBS
<b>Spokes/Nipples/Washers</b>		
650B		
ns	11.1918.075.018	SPOKES & NIPPLES & WASHERS 3-PACK 280MM CX-SPRINT J-BEND EXTERNAL BLACK
ns	11.1918.075.019	SPOKES & NIPPLES & WASHERS 3-PACK 282MM CX-SPRINT J-BEND EXTERNAL BLACK
ns	11.1918.075.020	SPOKES & NIPPLES & WASHERS 3-PACK 284MM CX-SPRINT J-BEND EXTERNAL BLACK
700C		
ns	11.1918.075.022	SPOKES & NIPPLES & WASHERS 3-PACK 300MM CX-SPRINT J-BEND EXTERNAL BLACK
ns	11.1918.075.023	SPOKES & NIPPLES & WASHERS 3-PACK 302MM CX-SPRINT J-BEND EXTERNAL BLACK
ns	11.1918.082.000	SPOKE NIPPLE WASHERS SAPIM NRHM 34-PACK FOR MOTO 3ZERO AND 101XPLR WHEELS
ns	11.1915.026.070	SPOKE NIPPLES EXTERNAL HEXAGONAL SECURE LOCK ALUMINUM BLACK 20-PACK 2.0 X 14
<b>Rims</b>		
ns	00.1918.655.000	AM Rim 101 XPLR Tubeless 650b Front 28hole Standard Graphic A1
ns	00.1918.655.001	AM Rim 101 XPLR Tubeless 650b Front 28hole Kwiqsand Graphic A1
ns	00.1918.656.000	AM Rim 101 XPLR Tubeless 650b Rear 28hole Standard Graphic A1
ns	00.1918.656.001	AM Rim 101 XPLR Tubeless 650b Rear 28hole Kwiqsand Graphic A1
ns	00.1918.657.000	AM Rim 101 XPLR Tubeless 700c Front 28hole Standard Graphic A1
ns	00.1918.657.001	AM Rim 101 XPLR Tubeless 700c Front 28hole Kwiqsand Graphic A1
ns	00.1918.658.000	AM Rim 101 XPLR Tubeless 700c Rear 28hole Standard Graphic A1
ns	00.1918.658.001	AM Rim 101 XPLR Tubeless 700c Rear 28hole Kwiqsand Graphic A1
<b>Decals</b>		
9	11.1918.081.008	WHEEL DECAL KIT 101 XPLR 700C SLATE SINGLE RIM
9	11.1918.081.009	WHEEL DECAL KIT 101 XPLR 700C KWIQSAND SINGLE RIM
9	11.1918.081.010	WHEEL DECAL KIT 101 XPLR 650B SLATE SINGLE RIM
9	11.1918.081.011	WHEEL DECAL KIT 101 XPLR 650B KWIQSAND SINGLE RIM
<b>Tools &amp; Accessories</b>		
10	00.1918.458.001	Tubeless Universal Valve, Removable Valve Core (includes 1 tubeless valve & 1 valve core wrench) - ZIPP 101 XPLR
11	11.2018.063.002	HUB CENTERLOCK ROTOR DISC LOCKRING BLACK ZIPP LOGO (FOR ROTORS UP TO 160MM) QTY 1
12	00.1918.177.060	Bearing Press Tool 61903, Zipp Cognition Disc Brake Rear, ZR1, ZM2
ns	11.1918.086.000	Zipp 101 XPLR MOTO Rim Strip And Tubeless Tape Kit 650B (includes rim strip and tubeless tape for 1 wheel)
ns	11.1918.086.001	Zipp 101 XPLR MOTO Rim Strip And Tubeless Tape Kit 700C (includes rim strip and tubeless tape for 1 wheel)

# ZM1 HUB - 3ZERO MOTO

WH-MOTO-30-A1



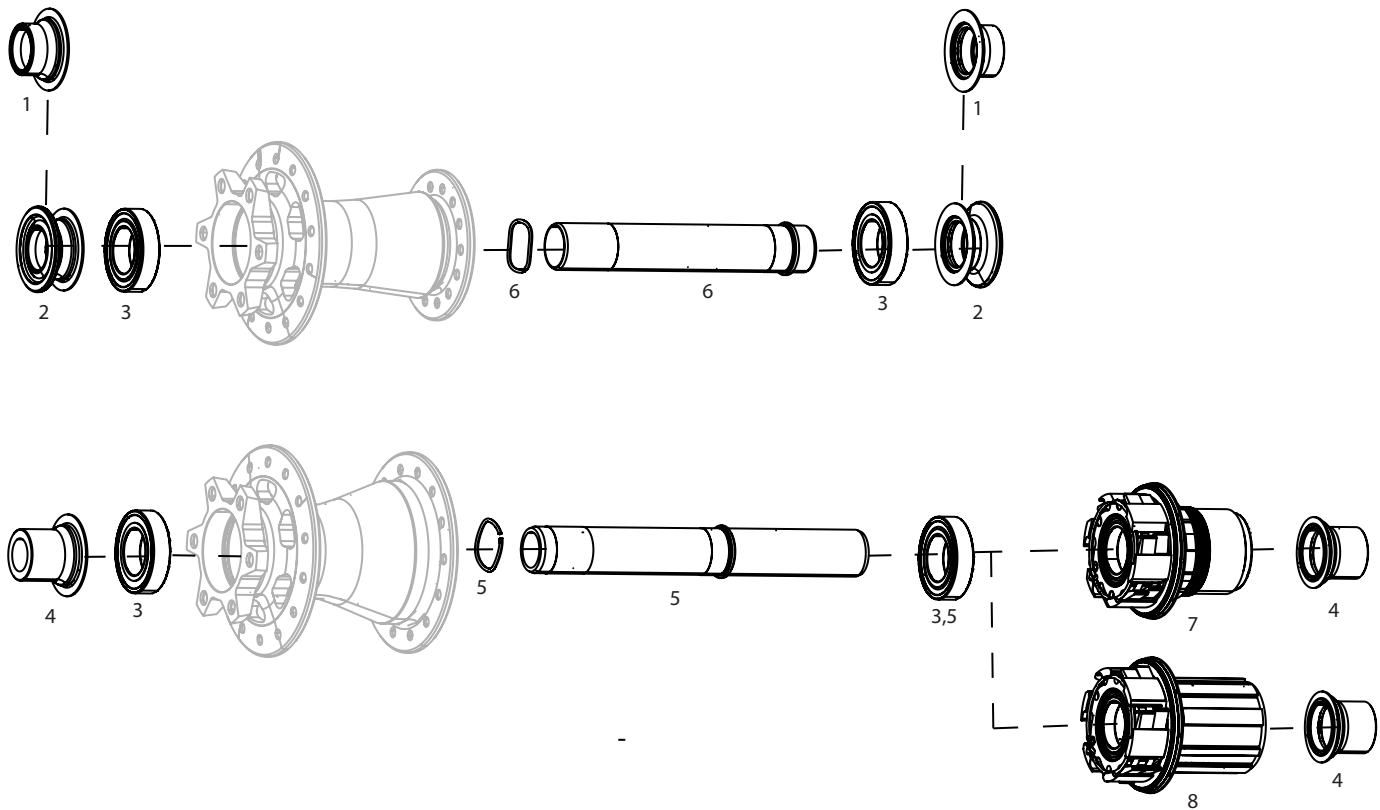
NO.	PART NUMBER	DESCRIPTION
1	11.1918.080.000	SPOKES & NIPPLES & WASHERS 3-PACK 280MM D-LIGHT J-BEND EXTERNAL BLACK (3ZERO MOTO 27.5 REAR DS)
1	11.1918.080.001	SPOKES & NIPPLES & WASHERS 3-PACK 282MM D-LIGHT J-BEND EXTERNAL BLACK (3ZERO MOTO 27.5 FRONT NDS AND REAR NDS)
1	11.1918.080.002	SPOKES & NIPPLES & WASHERS 3-PACK 284MM D-LIGHT J-BEND EXTERNAL BLACK (3ZERO MOTO 27.5 FRONT DS)
1	11.1918.080.003	SPOKES & NIPPLES & WASHERS 3-PACK 300MM D-LIGHT J-BEND EXTERNAL BLACK (3ZERO MOTO 29 FRONT NDS AND REAR DS)
1	11.1918.080.004	SPOKES & NIPPLES & WASHERS 3-PACK 302MM D-LIGHT J-BEND EXTERNAL BLACK (3ZERO MOTO 29 FRONT DS AND REAR NDS)
2	SEE RIM OVERVIEW AT NEXT PAGE	
3	11.2018.060.000	WHEEL DRIVER BODY KIT - 9/10 SPEED - ZM1 3ZERO
4	00.2018.014.000	WHEEL FREEHUB KIT - XD DRIVER BODY KIT - ZM1 3ZERO
5	11.2018.060.001	WHEEL AXLE - REAR - ZM1 3ZERO
6	11.2018.060.002	WHEEL AXLE - FRONT - ZM1 3ZERO
7	11.2018.060.004	WHEEL HUB BEARING KIT - REAR - (INCLUDES 1-6903/61903 AND 1-63803D28) - ZM1 3ZERO
8	11.2018.060.003	WHEEL HUB BEARING KIT - FRONT - (INCLUDES 2-23327) - ZM1 3ZERO
9	11.2018.059.001	WHEEL AXLE END CAP SET FRONT - 15X110 BOOST, 31MM THROUGH AXLE, TORQUE CAP ROCKSHOX FORKS - ZM1 3ZERO HUBS
10	11.2018.059.000	WHEEL AXLE END CAP SET FRONT - 15X110 BOOST THROUGH AXLE - ZM1 3ZERO HUBS
11	11.2018.059.002	WHEEL AXLE END CAP SET REAR - 12X148 BOOST, FITS XD DRIVER BODY - ZM1 3ZERO HUBS
12	11.2018.059.003	WHEEL AXLE END CAP SET REAR - 12X148 BOOST, FITS 9/10 SPEED DRIVER BODY - ZM1 3ZERO HUBS
13	00.1918.177.010	BEARING PRESS TOOL 23X32X7, FRONT HUB - X0 HUBS/900 HUBS/RISE 60 (B1)/ROAM 30/ROAM 40/ROAM 60(B1)/RAIL 40/RISE XX
14	00.1918.177.040	BEARING PRESS TOOLS 6903/63803D28, REAR HUB - X0 HUBS/900 HUBS/RISE 60 (B1)/ROAM 30/ROAM 40/ROAM 60(B1)/RAIL 40/RISE XX
15	00.3018.255.000	QUARQ TYREWIZ FOR MOTO AIR PRESSURE SENSOR FOR PRESTA VALVE
ns	11.1918.081.000	WHEEL DECAL KIT 3ZERO 27 MOTO SLATE SINGLE RIM
ns	11.1918.081.001	WHEEL DECAL KIT 3ZERO 27 MOTO SILVER SINGLE RIM
ns	11.1918.081.002	WHEEL DECAL KIT 3ZERO 29 MOTO SLATE SINGLE RIM
ns	11.1918.081.003	WHEEL DECAL KIT 3ZERO 29 MOTO SILVER SINGLE RIM
ns	00.1915.228.030	ZIPP 3ZERO MOTO RIM STRIP AND TUBELESS TAPE KIT 27" (INCLUDES RIM STRIP AND TUBELESS TAPE FOR 1 WHEEL)
ns	00.1915.228.040	ZIPP 3ZERO MOTO RIM STRIP AND TUBELESS TAPE KIT 29" (INCLUDES RIM STRIP AND TUBELESS TAPE FOR 1 WHEEL)
ns	11.1918.082.000	SPOKE NIPPLE WASHERS SAPIM NRHM 34-PACK FOR 3 ZERO MOTO WHEELS
ns	00.1918.458.000	TUBELESS UNIVERSAL VALVE, REMOVABLE VALVE CORE (INCLUDES 1 TUBELESS VALVE & 1 VALVE CORE WRENCH) - ZIPP 3ZERO MOTO

Return to  
Index



# ZM2 HUB - 3ZERO MOTO

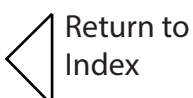
WH-MOTO-30-B1



NO.	PART NUMBER	DESCRIPTION
1	11.2018.064.001	WHEEL AXLE END CAP SET FRONT - 15X110 BOOST - ZM2 HUBS
2	11.2018.064.002	WHEEL AXLE END CAP SET FRONT - 15X110 BOOST - TORQUE CAP ROCKSHOX FORKS - ZM2 HUBS
3	11.2018.061.003	WHEEL BEARING KIT FRONT/REAR 76/77 176/177 DISC, REAR 176/177 RIM, ZR1 61903 QTY 2
4	11.2018.064.007	WHEEL AXLE END CAP SET REAR - 12X148 - XD AND 10/11SPD - ZM2 HUBS
5	11.2018.064.008	WHEEL AXLE - REAR - ZIPP ZM2 (AXLE INCLUDING BEARING DS AND WAVE SPRING)
6	11.2018.064.009	WHEEL AXLE - FRONT - ZIPP ZM2 (AXLE INCLUDING WAVE SPRING)
7	00.2018.014.001	WHEEL FREEHUB KIT - XD DRIVER BODY KIT - ZIPP ZM2
8	11.2018.064.011	WHEEL FREEHUB KIT - 10 SPEED DRIVER BODY KIT - ZIPP ZM2

### Spokes - 3ZERO MOTO B1

ns	11.1918.075.018	SPOKES & NIPPLES & WASHERS 3-PACK 280MM CX-SPRINT J-BEND EXTERNAL BLACK
ns	11.1918.075.020	SPOKES & NIPPLES & WASHERS 3-PACK 284MM CX-SPRINT J-BEND EXTERNAL BLACK
ns	11.1918.075.021	SPOKES & NIPPLES & WASHERS 3-PACK 298MM CX-SPRINT J-BEND EXTERNAL BLACK
ns	11.1918.075.022	SPOKES & NIPPLES & WASHERS 3-PACK 300MM CX-SPRINT J-BEND EXTERNAL BLACK
ns	11.1918.075.023	SPOKES & NIPPLES & WASHERS 3-PACK 302MM CX-SPRINT J-BEND EXTERNAL BLACK



## 3ZERO MOTO RIMS

(including decals, Speed Line™ decal (pinstripe), rim strip, tubeless tape & valve)

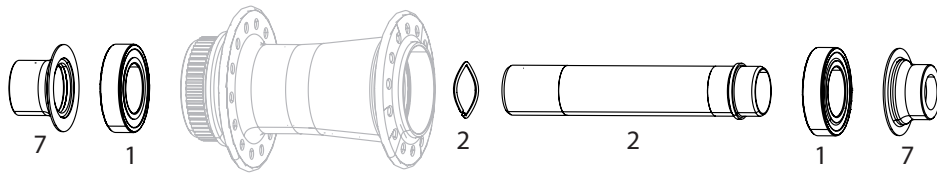


NO.	PART NUMBER	DESCRIPTION
2	00.1918.446.000	AM RIM 3ZERO MOTO TUBELESS 27.5 FRONT 32HOLE SILVER/SILVER GRAPHIC A1
2	00.1918.446.001	AM RIM 3ZERO MOTO TUBELESS 27.5 FRONT 32HOLE SILVER/RS RED GRAPHIC A1
2	00.1918.446.002	AM RIM 3ZERO MOTO TUBELESS 27.5 FRONT 32HOLE SILVER/ORANGE GRAPHIC A1
2	00.1918.446.009	AM RIM 3ZERO MOTO TUBELESS 27.5 FRONT 32HOLE SLATE/RS RED GRAPHIC A1
2	00.1918.446.015	AM RIM 3ZERO MOTO TUBELESS 27.5 FRONT 32HOLE SLATE/STEALTH GRAPHIC A1
2	00.1918.448.000	AM RIM 3ZERO MOTO TUBELESS 27.5 REAR 32HOLE SILVER/SILVER GRAPHIC A1
2	00.1918.448.001	AM RIM 3ZERO MOTO TUBELESS 27.5 REAR 32HOLE SILVER/RS RED GRAPHIC A1
2	00.1918.448.002	AM RIM 3ZERO MOTO TUBELESS 27.5 REAR 32HOLE SILVER/ORANGE GRAPHIC A1
2	00.1918.448.009	AM RIM 3ZERO MOTO TUBELESS 27.5 REAR 32HOLE SLATE/RS RED GRAPHIC A1
2	00.1918.448.015	AM RIM 3ZERO MOTO TUBELESS 27.5 REAR 32HOLE SLATE/STEALTH GRAPHIC A1
2	00.1918.447.000	AM RIM 3ZERO MOTO TUBELESS 29 FRONT 32HOLE SILVER/SILVER GRAPHIC A1
2	00.1918.447.001	AM RIM 3ZERO MOTO TUBELESS 29 FRONT 32HOLE SILVER/RS RED GRAPHIC A1
2	00.1918.447.002	AM RIM 3ZERO MOTO TUBELESS 29 FRONT 32HOLE SILVER/ORANGE GRAPHIC A1
2	00.1918.447.009	AM RIM 3ZERO MOTO TUBELESS 29 FRONT 32HOLE SLATE/RS RED GRAPHIC A1
2	00.1918.447.015	AM RIM 3ZERO MOTO TUBELESS 29 FRONT 32HOLE SLATE/STEALTH GRAPHIC A1
2	00.1918.449.000	AM RIM 3ZERO MOTO TUBELESS 29 REAR 32HOLE SILVER/SILVER GRAPHIC A1
2	00.1918.449.001	AM RIM 3ZERO MOTO TUBELESS 29 REAR 32HOLE SILVER/RS RED GRAPHIC A1
2	00.1918.449.002	AM RIM 3ZERO MOTO TUBELESS 29 REAR 32HOLE SILVER/ORANGE GRAPHIC A1
2	00.1918.449.009	AM RIM 3ZERO MOTO TUBELESS 29 REAR 32HOLE SLATE/RS RED GRAPHIC A1
2	00.1918.449.015	AM RIM 3ZERO MOTO TUBELESS 29 REAR 32HOLE SLATE/STEALTH GRAPHIC A1

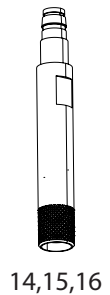
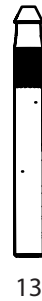
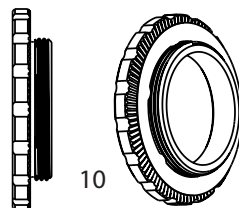
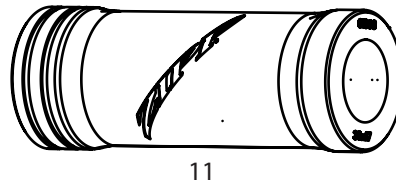
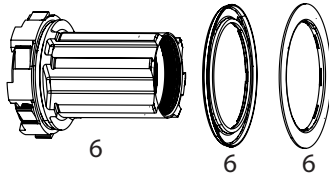
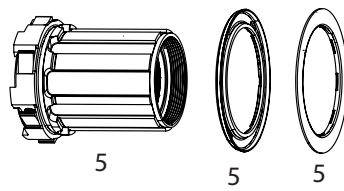
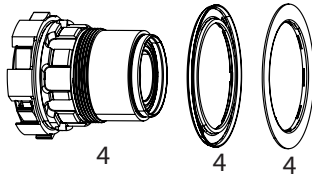
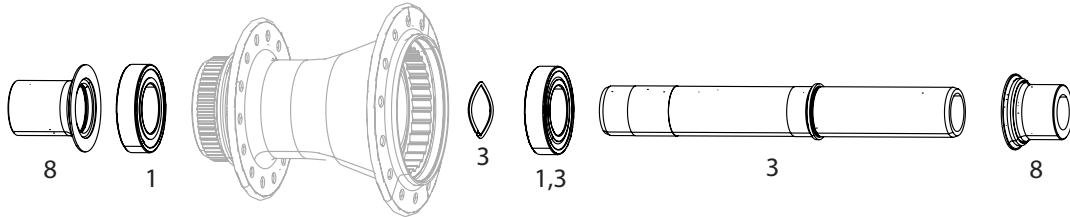
 Return to  
Index

# 303 Firecrest

WH-303-F650-A1, WH-303-FTLD-A1, WH-303-FTLR-A1, WH-303-FTUD-A1, WH-303-FTUR-A1



ZR1 disc hub pictured

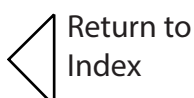


Return to  
Index

## 303 Firecrest

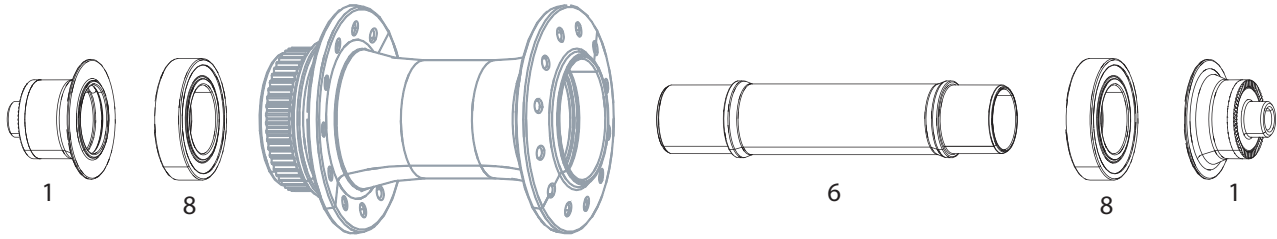
WH-303-F650-A1, WH-303-FTLD-A1, WH-303-FTLR-A1, WH-303-FTUD-A1, WH-303-FTUR-A1

NO.	PART NUMBER	DESCRIPTION
<b>Hub</b>		
1	11.2018.061.003	WHEEL BEARING KIT FRONT/REAR 76/77 176/177 DISC, REAR 176/177 RIM, ZR1 61903 QTY 2
2	11.2018.064.010	WHEEL AXLE - FRONT - ZIPP ZR1 (AXLE AND WAVE SPRING)
3	11.2018.064.013	WHEEL AXLE - REAR - ZIPP ZR1 DISC BRAKE (AXLE INCLUDING BEARING DS AND WAVE SPRING)
3	11.2018.064.014	WHEEL AXLE - REAR - ZIPP ZR1 RIM BRAKE (AXLE INCLUDING BEARING DS AND WAVE SPRING)
4	00.2018.015.000	WHEEL FREEHUB KIT - XDR DRIVER BODY KIT - 12X142 / QR - ZIPP ZR1
5	11.2018.064.012	WHEEL FREEHUB KIT - 11 SPEED DRIVER BODY KIT - 12X142 / QR - ZIPP ZR1
6	11.2018.064.017	WHEEL FREEHUB KIT - CAMPAGNOLO DRIVER BODY KIT - CENTERLOCK DISC / RIM BRAKE - ZIPP ZR1
7	11.2018.064.003	WHEEL AXLE END CAP SET FRONT - DISC - 12x100 - ZR1 HUBS
ns	11.2018.064.004	WHEEL AXLE END CAP SET FRONT - RIM BRAKE QR - ZR1 HUBS
ns	11.2018.064.018	WHEEL AXLE END CAP SET FRONT - 15X100 - ZR1 HUBS
ns	11.2018.064.016	WHEEL AXLE END CAP SET FRONT - QR CENTERLOCK DISC - ZR1 HUBS
ns	11.2018.064.015	WHEEL AXLE END CAP SET REAR - QR CENTERLOCK DISC - ZR1 HUBS
8	11.2018.064.005	WHEEL AXLE END CAP SET REAR - 12X142 - XDR AND 11 SPEED - ZR1 HUBS
ns	11.2018.064.006	WHEEL AXLE END CAP SET REAR - QR RB - XDR AND 11 SPEED - ZR1 HUBS
ns	11.2018.058.000	WHEEL AXLE END CAP REAR DRIVE SIDE ONLY COGNITION NSW AND ZR1 (FOR CAMPAGNOLO DRIVERS)
ns	11.2018.064.019	WHEEL AXLE END CAP SET REAR - 12X142 - CAMPAGNOLO - ZR1 HUBS
<b>Spokes/Nipples/Washers</b>		
650B		
ns	11.1918.078.009	SPOKES & NIPPLES & WASHERS 3-PACK 242MM CX-RAY J-BEND EXTERNAL BLACK
ns	11.1918.078.011	SPOKES & NIPPLES & WASHERS 3-PACK 246MM CX-RAY J-BEND EXTERNAL BLACK
ns	11.1918.072.008	SPOKES & NIPPLES & WASHERS 3-PACK 248MM CX-RAY J-BEND EXTERNAL BLACK
700C		
ns	11.1918.078.013	SPOKES & NIPPLES & WASHERS 3-PACK 256MM CX-RAY J-BEND EXTERNAL BLACK
ns	11.1918.072.011	SPOKES & NIPPLES & WASHERS 3-PACK 260MM CX-RAY J-BEND EXTERNAL BLACK
ns	11.1918.072.010	SPOKES & NIPPLES & WASHERS 3-PACK 266MM CX-RAY J-BEND EXTERNAL BLACK
ns	11.1918.078.015	SPOKES & NIPPLES & WASHERS 3-PACK 268MM CX-RAY J-BEND EXTERNAL BLACK
ns	11.1918.078.003	SPOKES & NIPPLES & WASHERS 3-PACK 270MM CX-RAY J-BEND EXTERNAL BLACK
ns	11.1918.078.004	SPOKES & NIPPLES & WASHERS 3-PACK 272MM CX-RAY J-BEND EXTERNAL BLACK
WH-303-FTLR-A1 are using CX-SPRINT		
ns	11.1918.075.014	SPOKES & NIPPLES & WASHERS 3-PACK 254MM CX-SPRINT J-BEND EXTERNAL BLACK
ns	11.1918.075.015	SPOKES & NIPPLES & WASHERS 3-PACK 260MM CX-SPRINT J-BEND EXTERNAL BLACK
ns	11.1918.075.002	SPOKES & NIPPLES & WASHERS 3-PACK 264MM CX-SPRINT J-BEND EXTERNAL BLACK
<b>Decals</b>		
9	11.1918.083.001	WHEEL DECAL KIT ZIPP 303 DISC BRAKE SINGLE RIM 2020 GRAPHICS
9	11.1918.083.002	WHEEL DECAL KIT ZIPP 303 RIM BRAKE SINGLE RIM 2020 GRAPHICS
9	11.1918.083.005	WHEEL DECAL KIT ZIPP 303 650B DISC BRAKE SINGLE RIM 2020 GRAPHICS
<b>Tools &amp; Accessories</b>		
10	11.2018.063.002	HUB CENTERLOCK ROTOR DISC LOCKRING BLACK ZIPP LOGO (FOR ROTORS UP TO 160MM) QTY 1
11	00.1918.177.060	Bearing Press Tool 61903, Zipp Cognition Disc Brake Rear, ZR1, ZM2
12	00.1915.097.010	ZIPP Tangente Tube Aluminum Valve Extender 303 27mm (use with Tangente Tube with Alum Presta Valve) Qty 1
13	00.1915.130.070	Zipp Valve Extension Black 33mm for Zipp 302/303 (use with threaded presta valve) QTY 1
14	00.1918.259.004	Zipp Tangente Aluminum Knurled Valve Extender Kit 303 27mm (Qty 3) and Valve Extender Wrench (Qty 2) (use with Removable Presta Valve, recommended for use with Zipp Tangente Tube)
15	00.1918.259.008	Zipp Tangente Aluminum Knurled Valve Extender 303 27mm (Qty 1) (use with Removable Presta Valve, recommended for use with Zipp Tangente Tube)
16	11.1918.085.000	ZIPP TANGENTE ALUMINUM KNURLED VALVE EXTENDER KIT 303 27MM (QTY 2) AND PLASTIC WRENCH (QTY 2) (USE WITH REMOVABLE PRESTA VALVE, RECOMMENDED FOR USE WITH ZIPP TANGENTE TUBE)
ns	11.1918.084.001	TUBELESS KIT INCLUDES 10 METER OF 26MM TAPE, 2 UNIVERSAL VALVES 60MM & 1 VALVE CORE WRENCH (FITS 303,303S)
ns	00.3018.288.000	Quarq TyreWiz Air Pressure Sensor for Presta Valve, Zipp 303 Firecrest Disc Brake, 40mm Rim ONLY (2 sensors w/ batteries and valve core removal tool)

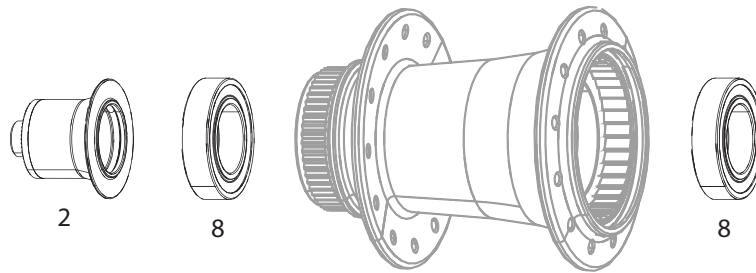


Campagnolo® is a registered trademark of Campagnolo s.r.l.

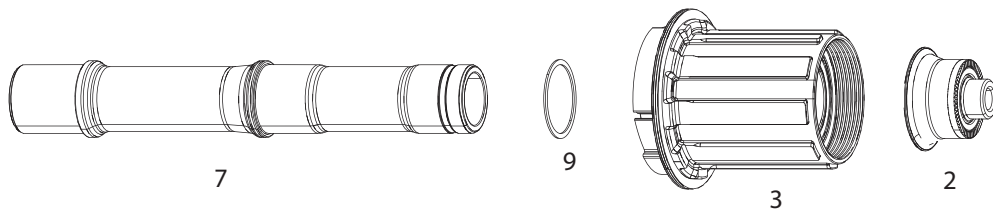




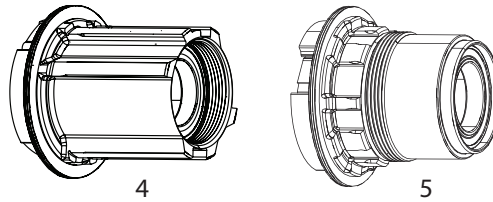
76D disc hub pictured



176D disc hub pictured

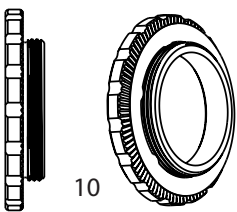


11



4

5



10



12



13



14,15,16

# 303 S

WH-303-STLD-A1

NO. PART NUMBER DESCRIPTION

## Hub

1	11.2018.045.000	WHEEL AXLE END CAP SET FRONT ZIPP 76 CENTER LOCKING DISC BRAKE QUICK RELEASE
2	11.2018.045.010	WHEEL AXLE END CAP SET REAR ZIPP 176 CENTER LOCKING DISC BRAKE QUICK RELEASE
ns.	11.2018.046.000	WHEEL AXLE END CAP SET FRONT ZIPP 76 CENTER LOCKING DISC BRAKE THRU AXLE 12X100
ns.	11.2018.047.000	WHEEL AXLE END CAP SET FRONT ZIPP 76 CENTER LOCKING DISC BRAKE THRU AXLE 15X100
ns.	11.2018.046.010	WHEEL AXLE END CAP SET REAR ZIPP 176 CENTER LOCKING DISC BRAKE THRU AXLE 12X142
3	11.2018.062.000	WHEEL FREEHUB KIT SS 176/177 SRAM XDR
5	11.2018.061.000	WHEEL FREEHUB KIT SS 176/177 11 SPEED SRAM
6	11.2018.054.000	WHEEL AXLE FRONT ZIPP 76D DISC BRAKE (AXLE ONLY)
7	11.2018.054.001	WHEEL AXLE REAR ZIPP 176D DISC BRAKE (AXLE ONLY)
8	11.2018.061.003	WHEEL BEARING KIT FRONT/REAR 76/77 176/177 DISC, REAR 176/177 RIM, 61903 QTY 2
9	11.2018.038.000	WHEEL FREEHUB BODY SHIM ZIPP 177 QTY 1
ns.	11.2018.061.001	WHEEL FREEHUB KIT SS 176/177 11 SPEED CAMPAGNOLO

## Spokes/Nipples/Washers

ns	11.1918.075.002	SPOKES & NIPPLES & WASHERS 3-PACK 264MM CX-SPRINT J-BEND EXTERNAL BLACK
ns	11.1918.075.003	SPOKES & NIPPLES & WASHERS 3-PACK 266MM CX-SPRINT J-BEND EXTERNAL BLACK
ns	11.1918.075.004	SPOKES & NIPPLES & WASHERS 3-PACK 268MM CX-SPRINT J-BEND EXTERNAL BLACK

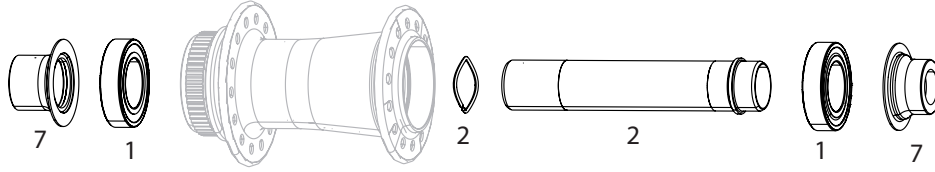
## Tools & Accessories

10	11.2018.063.002	HUB CENTERLOCK ROTOR DISC LOCKRING BLACK ZIPP LOGO (FOR ROTORS UP TO 160MM) QTY 1
11	00.1918.177.060	Bearing Press Tool 61903, Zipp Cognition Disc Brake Rear, ZR1, ZM2
12	00.1915.097.010	ZIPP Tangente Tube Aluminum Valve Extender 303 27mm (use with Tangente Tube with Alum Presta Valve) Qty 1
13	00.1915.130.070	Zipp Valve Extension Black 33mm for Zipp 302/303 (use with threaded presta valve) QTY 1
14	00.1918.259.004	Zipp Tangente Aluminum Knurled Valve Extender Kit 303 27mm (Qty 3) and Valve Extender Wrench (Qty 2) (use with Removable Presta Valve, recommended for use with Zipp Tangente Tube)
15	00.1918.259.008	Zipp Tangente Aluminum Knurled Valve Extender 303 27mm (Qty 1) (use with Removable Presta Valve, recommended for use with Zipp Tangente Tube)
16	11.1918.085.000	ZIPP TANGENTE ALUMINUM KNURLED VALVE EXTENDER KIT 303 27MM (QTY 2) AND PLASTIC WRENCH (QTY 2) (USE WITH REMOVABLE PRESTA VALVE, RECOMMENDED FOR USE WITH ZIPP TANGENTE TUBE)
ns	11.1918.084.001	TUBELESS KIT INCLUDES 10 METER OF 26MM TAPE, 2 UNIVERSAL VALVES 60MM & 1 VALVE CORE WRENCH (FITS 303,303S)

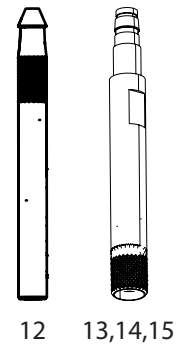
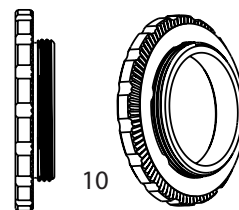
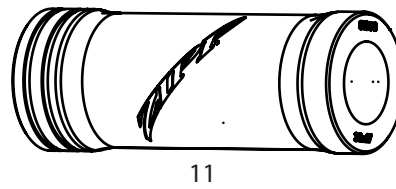
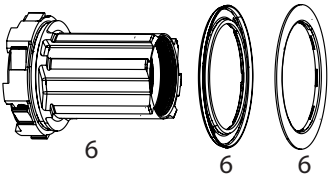
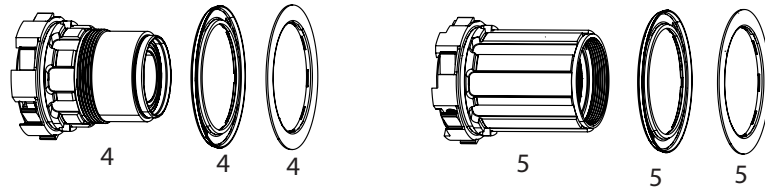
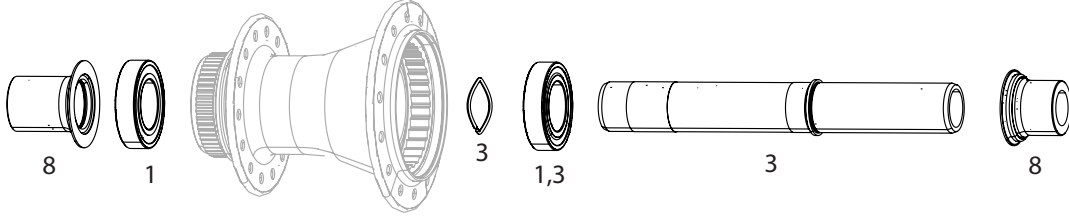


# 404 Firecrest

WH-404-FTLD-B1, WH-404-FTLR-A1



ZR1 disc hub pictured



Return to  
Index

## 404 Firecrest

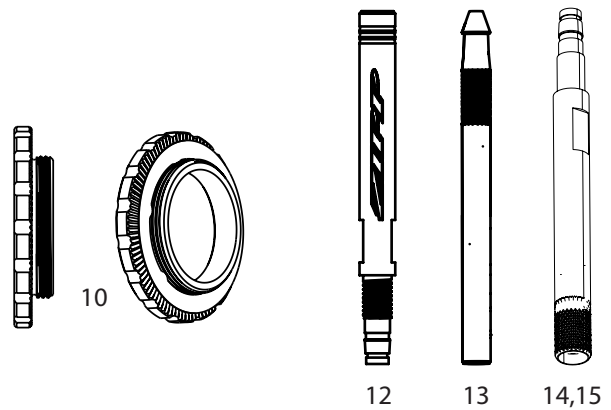
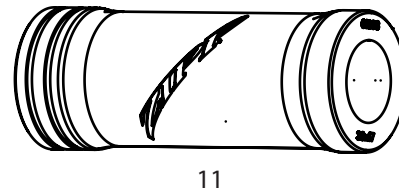
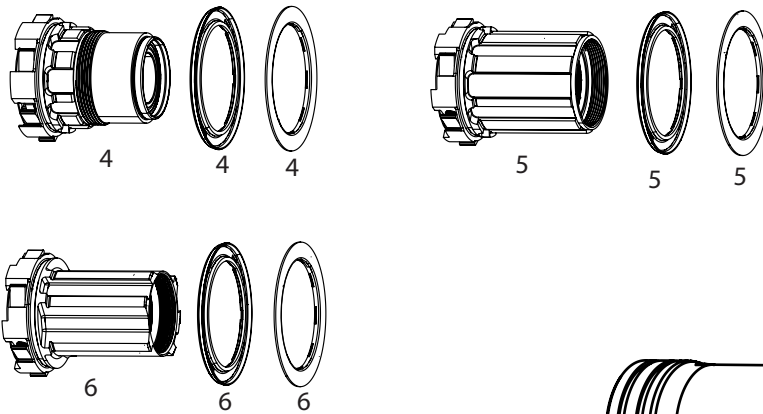
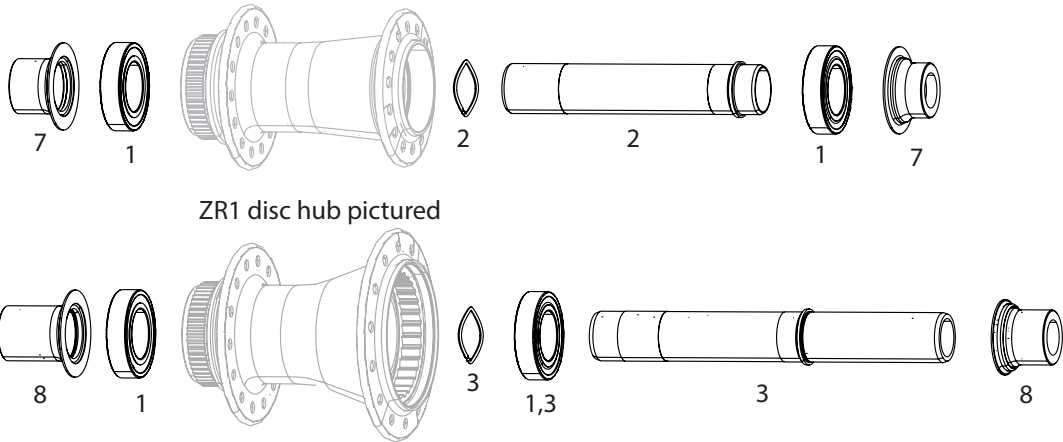
WH-404-FTLD-B1, WH-404-FTLR-A1

NO.	PART NUMBER	DESCRIPTION
<b>Hub</b>		
1	11.2018.061.003	WHEEL BEARING KIT FRONT/REAR 76/77 176/177 DISC, REAR 176/177 RIM, ZR1 61903 QTY 2
2	11.2018.064.010	WHEEL AXLE - FRONT - ZIPP ZR1 (AXLE AND WAVE SPRING)
3	11.2018.064.013	WHEEL AXLE - REAR - ZIPP ZR1 DISCBRAKE (AXLE INCLUDING BEARING DS AND WAVE SPRING)
3	11.2018.064.014	WHEEL AXLE - REAR - ZIPP ZR1 RIM BRAKE (AXLE INCLUDING BEARING DS AND WAVE SPRING)
4	00.2018.015.000	WHEEL FREEHUB KIT - XDR DRIVER BODY KIT - 12X142 / QR - ZIPP ZR1
5	11.2018.064.012	WHEEL FREEHUB KIT - 11 SPEED DRIVER BODY KIT - 12X142 / QR - ZIPP ZR1
6	11.2018.064.017	WHEEL FREEHUB KIT - CAMPAGNOLO DRIVER BODY KIT - CENTERLOCK DISC / RIM BRAKE - ZIPP ZR1
7	11.2018.064.003	WHEEL AXLE END CAP SET FRONT - DISC - 12x100 - ZR1 HUBS
ns	11.2018.064.004	WHEEL AXLE END CAP SET FRONT - RIM BRAKE QR - ZR1 HUBS
ns	11.2018.064.018	WHEEL AXLE END CAP SET FRONT - 15X100 - ZR1 HUBS
ns	11.2018.064.016	WHEEL AXLE END CAP SET FRONT - QR CENTERLOCK DISC - ZR1 HUBS
ns	11.2018.064.015	WHEEL AXLE END CAP SET REAR - QR CENTERLOCK DISC - ZR1 HUBS
8	11.2018.064.005	WHEEL AXLE END CAP SET REAR - 12X142 - XDR AND 11 SPEED - ZR1 HUBS
ns	11.2018.064.006	WHEEL AXLE END CAP SET REAR - QR RB - XDR AND 11 SPEED - ZR1 HUBS
ns	11.2018.058.000	WHEEL AXLE END CAP REAR DRIVE SIDE ONLY COGNITION NSW AND ZR1 (FOR CAMPAGNOLO DRIVERS)
ns	11.2018.064.019	WHEEL AXLE END CAP SET REAR - 12X142 - CAMPAGNOLO - ZR1 HUBS
<b>Spokes/Nipples/Washers</b>		
<b>WH-404-FTLD-B1</b>		
ns	11.1918.078.012	SPOKES & NIPPLES & WASHERS 3-PACK 250MM CX-RAY J-BEND EXTERNAL BLACK
ns	11.1918.072.007	SPOKES & NIPPLES & WASHERS 3-PACK 254MM CX-RAY J-BEND EXTERNAL BLACK
ns	11.1918.078.013	SPOKES & NIPPLES & WASHERS 3-PACK 256MM CX-RAY J-BEND EXTERNAL BLACK
<b>WH-404-FTLR-A1</b>		
ns	11.1918.078.009	SPOKES & NIPPLES & WASHERS 3-PACK 242MM CX-RAY J-BEND EXTERNAL BLACK
ns	11.1918.072.008	SPOKES & NIPPLES & WASHERS 3-PACK 248MM CX-RAY J-BEND EXTERNAL BLACK
ns	11.1918.072.006	SPOKES & NIPPLES & WASHERS 3-PACK 252MM CX-RAY J-BEND EXTERNAL BLACK
<b>Decals</b>		
9	11.1918.083.003	WHEEL DECAL KIT ZIPP 404 DISC & RIM BRAKE SINGLE RIM 2020 GRAPHICS
<b>Tools &amp; Accessories</b>		
10	11.2018.063.002	HUB CENTERLOCK ROTOR DISC LOCKRING BLACK ZIPP LOGO (FOR ROTORS UP TO 160MM) QTY 1
11	00.1918.177.060	Bearing Press Tool 61903, Zipp Cognition Disc Brake Rear, ZR1, ZM2
12	00.1915.130.080	Zipp Valve Extension Black 48mm for Zipp 60/404 (use with threaded presta valve)
13	00.1918.259.005	Zipp Tangente Aluminum Knurled Valve Extender Kit 60/404 41mm (Qty 3) and Valve Extender Wrench (Qty 2) (use with Removable Presta Valve, recommended for use with Zipp Tangente Tube)
14	00.1918.259.009	Zipp Tangente Aluminum Knurled Valve Extender 60/404 41mm (Qty 1) (use with Removable Presta Valve, recommended for use with Zipp Tangente Tube)
15	11.1918.085.001	ZIPP TANGENTE ALUMINUM KNURLED VALVE EXTENDER KIT 60/404 41MM (QTY 2) AND WRENCH (QTY 2) (USE WITH REMOVABLE PRESTA VALVE, RECOMMENDED FOR USE WITH ZIPP TANGENTE TUBE)
ns	11.1918.084.002	TUBELESS KIT INCLUDES 10 METER OF 26MM TAPE, 2 UNIVERSAL VALVES 80MM & 1 VALVE CORE WRENCH (FITS 454,404)



# 808 Firecrest

WH-808-FTLD-A1, WH-808-FTLR-A1



Return to  
Index

## 808 Firecrest

WH-808-FTLD-A1, WH-808-FTLR-A1

NO. PART NUMBER DESCRIPTION

### Hub

1	11.2018.061.003	WHEEL BEARING KIT FRONT/REAR 76/77 176/177 DISC, REAR 176/177 RIM, ZR1 61903 QTY 2
2	11.2018.064.010	WHEEL AXLE - FRONT - ZIPP ZR1 (AXLE AND WAVE SPRING)
3	11.2018.064.013	WHEEL AXLE - REAR - ZIPP ZR1 DISC BRAKE (AXLE INCLUDING BEARING DS AND WAVE SPRING)
3	11.2018.064.014	WHEEL AXLE - REAR - ZIPP ZR1 RIM BRAKE (AXLE INCLUDING BEARING DS AND WAVE SPRING)
4	00.2018.015.000	WHEEL FREEHUB KIT - XDR DRIVER BODY KIT - 12X142 / QR - ZIPP ZR1
5	11.2018.064.012	WHEEL FREEHUB KIT - 11 SPEED DRIVER BODY KIT - 12X142 / QR - ZIPP ZR1
6	11.2018.064.017	WHEEL FREEHUB KIT - CAMPAGNOLO DRIVER BODY KIT - CENTERLOCK DISC / RIM BRAKE - ZIPP ZR1
7	11.2018.064.003	WHEEL AXLE END CAP SET FRONT - DISC - 12x100 - ZR1 HUBS
ns	11.2018.064.004	WHEEL AXLE END CAP SET FRONT - RIM BRAKE QR - ZR1 HUBS
ns	11.2018.064.018	WHEEL AXLE END CAP SET FRONT - 15X100 - ZR1 HUBS
ns	11.2018.064.016	WHEEL AXLE END CAP SET FRONT - QR CENTERLOCK DISC - ZR1 HUBS
ns	11.2018.064.015	WHEEL AXLE END CAP SET REAR - QR CENTERLOCK DISC - ZR1 HUBS
8	11.2018.064.005	WHEEL AXLE END CAP SET REAR - 12X142 - XDR AND 11 SPEED - ZR1 HUBS
ns	11.2018.064.006	WHEEL AXLE END CAP SET REAR - QR RB - XDR AND 11 SPEED - ZR1 HUBS
ns	11.2018.058.000	WHEEL AXLE END CAP REAR DRIVE SIDE ONLY COGNITION NSW AND ZR1 (FOR CAMPAGNOLO DRIVERS)
ns	11.2018.064.019	WHEEL AXLE END CAP SET REAR - 12X142 - CAMPAGNOLO - ZR1 HUBS

### Spokes/Nipples/Washers

#### WH-808-FTLD-A1

ns	11.1918.075.025	SPOKES & NIPPLES & WASHERS 3-PACK 226MM CX-SPRINT J-BEND EXTERNAL BLACK
ns	11.1918.075.008	SPOKES & NIPPLES & WASHERS 3-PACK 230MM CX-SPRINT J-BEND EXTERNAL BLACK
ns	11.1918.075.026	SPOKES & NIPPLES & WASHERS 3-PACK 232MM CX-SPRINT J-BEND EXTERNAL BLACK

#### WH-808-FTLR-A1


ns	11.1918.075.005	SPOKES & NIPPLES & WASHERS 3-PACK 220MM CX-SPRINT J-BEND EXTERNAL BLACK
ns	11.1918.075.025	SPOKES & NIPPLES & WASHERS 3-PACK 226MM CX-SPRINT J-BEND EXTERNAL BLACK
ns	11.1918.075.008	SPOKES & NIPPLES & WASHERS 3-PACK 230MM CX-SPRINT J-BEND EXTERNAL BLACK

### Decals

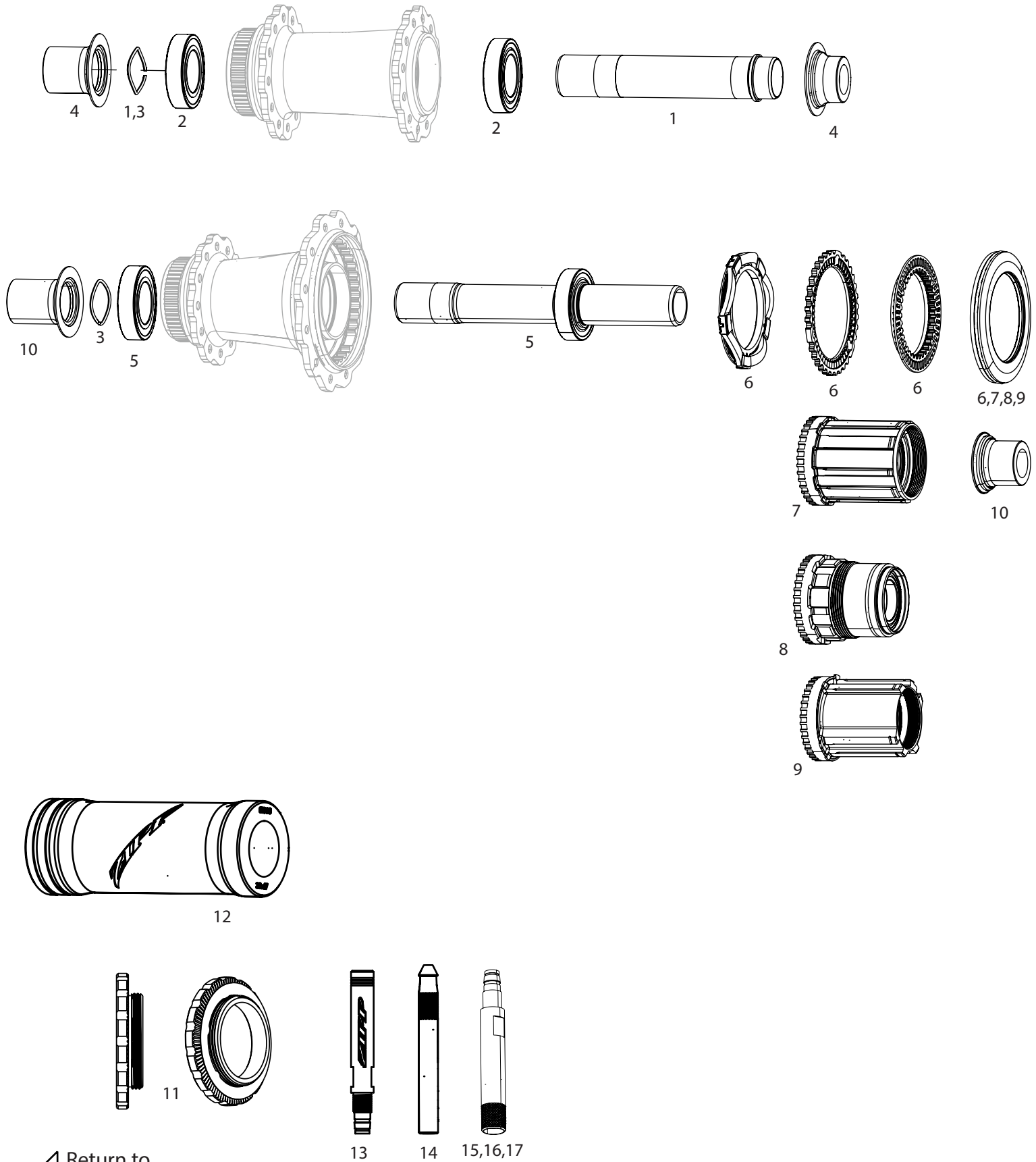
9	11.1918.083.004	WHEEL DECAL KIT ZIPP 808 DISC & RIM BRAKE SINGLE RIM 2020 GRAPHICS
---	-----------------	--

### Tools & Accessories

10	11.2018.063.002	HUB CENTERLOCK ROTOR DISC LOCKRING BLACK ZIPP LOGO (FOR ROTORS UP TO 160MM) QTY 1
11	00.1918.177.060	Bearing Press Tool 61903, Zipp Cognition Disc Brake Rear, ZR1, ZM2
12	00.1915.130.090	Zipp Valve Extension Black 72mm for Zipp 808 (use with threaded presta valve)
13	00.1918.259.006	Zipp Tangente Aluminum Knurled Valve Extender Kit 808 65mm (Qty 3) and Valve Extender Wrench (Qty 2) (use with Removable Presta Valve, recommended for use with Zipp Tangente Tube)
14	00.1918.259.010	Zipp Tangente Aluminum Knurled Valve Extender 808 65mm (Qty 1) (use with Removable Presta Valve, recommended for use with Zipp Tangente Tube)
15	11.1918.085.002	ZIPP TANGENTE ALUMINUM KNURLED VALVE EXTENDER KIT 808 65MM (QTY 2) AND WRENCH (QTY 2) (USE WITH REMOVABLE PRESTA VALVE, RECOMMENDED FOR USE WITH ZIPP TANGENTE TUBE)
ns	11.1918.084.004	TUBELESS KIT INCLUDES 10 METER OF 26MM TAPE, 2 UNIVERSAL VALVES 100MM & 1 VALVE CORE WRENCH (FITS 808 FIRECREST)

 Return to  
Index

353 NSW  
WH-353-NTLD-A1



Return to  
Index



# 353 NSW

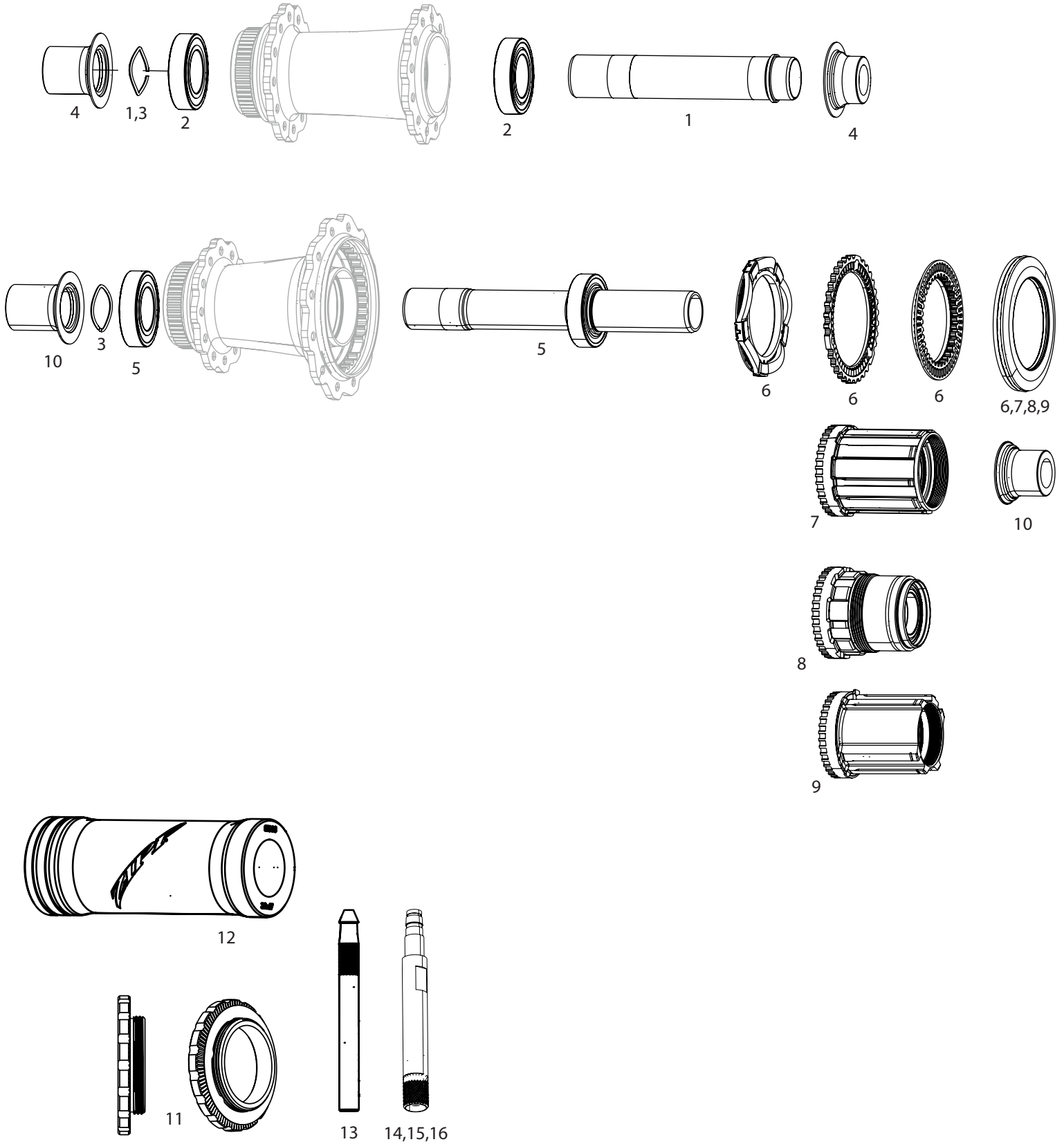
WH-353-NTLD-A1

NO.	PART NUMBER	DESCRIPTION
<b>Hub</b>		
1	11.2018.065.002	HUB AXLE - FRONT - ZIPP COGNITION V2 DISC BRAKE (AXLE AND WAVE SPRING)
2	11.2018.052.002	WHEEL HUB BEARINGS COGNITION DISC BRAKE NSW (FRONT OR REAR, 1 PAIR)
3	11.2018.032.003	WHEEL WAVE SPRING ZIPP COGNITION NSW AXLE
4	11.2018.049.000	WHEEL AXLE END CAP SET FRONT ZIPP COGNITION CENTER LOCKING DISC BRAKE THRU AXLE 12X100
ns	11.2018.050.000	WHEEL AXLE END CAP SET FRONT ZIPP COGNITION CENTER LOCKING DISC BRAKE THRU AXLE 15X100
ns	11.2018.048.000	WHEEL AXLE END CAP SET FRONT ZIPP COGNITION CENTER LOCKING DISC BRAKE QUICK RELEASE
5	11.2018.065.004	HUB AXLE - REAR - ZIPP COGNITION V2 DISC BRAKE NSW WITH BEARINGS (2X 61903)
6	11.2018.065.006	HUB COGNITION V2 AXIAL CLUTCH KIT DISC BRAKE / RIM BRAKE (INCLUDES RATCHET SHELL AND DRIVER, SYLOMER SPRING ASSEMBLY AND SEAL CAP)
7	11.2018.065.000	HUB FREEHUB KIT COGNITION V2 NSW DISC BRAKE / RIM BRAKE 11-SPEED SRAM
8	11.2018.065.001	HUB FREEHUB KIT COGNITION V2 NSW DISC BRAKE / RIM BRAKE XDR
9	11.2018.065.009	HUB FREEHUB KIT COGNITION V2 NSW DISC BRAKE / RIM BRAKE CAMPAGNOLO
10	11.2018.065.007	HUB AXLE END CAP SET REAR ZIPP COGNITION V2 DISC BRAKE / RIM BRAKE COMPATIBLE WITH XDR AND 11-SPD
ns	11.2018.049.040	WHEEL AXLE END CAP SET REAR ZIPP COGNITION CENTER LOCKING DISC BRAKE THRU AXLE 12X142 CAMPY
<b>Spokes/Nipples/Washers</b>		
ns	11.1918.072.011	SPOKES & NIPPLES & WASHERS 3-PACK 260MM CX-RAY J-BEND EXTERNAL BLACK
ns	11.1918.072.009	SPOKES & NIPPLES & WASHERS 3-PACK 264MM CX-RAY J-BEND EXTERNAL BLACK
ns	11.1918.072.010	SPOKES & NIPPLES & WASHERS 3-PACK 266MM CX-RAY J-BEND EXTERNAL BLACK
<b>Tools &amp; Accessories</b>		
11	11.2018.063.002	HUB CENTERLOCK ROTOR DISC LOCKRING BLACK ZIPP LOGO (FOR ROTORS UP TO 160MM) QTY 1
12	00.1918.177.060	Bearing Press Tool 61903, Zipp Cognition Disc Brake Rear, ZR1, ZM2
13	00.1915.097.010	ZIPP Tangente Tube Aluminum Valve Extender 303 27mm (use with Tangente Tube with Alum Presta Valve) Qty 1
14	00.1915.130.070	Zipp Valve Extension Black 33mm for Zipp 302/303 (use with threaded presta valve) QTY 1
15	00.1918.259.004	Zipp Tangente Aluminum Knurled Valve Extender Kit 303 27mm (Qty 3) and Valve Extender Wrench (Qty 2) (use with Removable Presta Valve, recommended for use with Zipp Tangente Tube)
16	00.1918.259.008	Zipp Tangente Aluminum Knurled Valve Extender 303 27mm (Qty 1) (use with Removable Presta Valve, recommended for use with Zipp Tangente Tube)
17	11.1918.085.000	ZIPP TANGENTE ALUMINUM KNURLED VALVE EXTENDER KIT 303 27MM (QTY 2) AND PLASTIC WRENCH (QTY 2) (USE WITH REMOVABLE PRESTA VALVE, RECOMMENDED FOR USE WITH ZIPP TANGENTE TUBE)
ns	11.1918.084.001	TUBELESS KIT INCLUDES 10 METER OF 26MM TAPE, 2 UNIVERSAL VALVES 60MM & 1 VALVE CORE WRENCH (FITS 303,303S,353)



454 NSW

WH-454-NTLD-B1, WH-454-NTUD-B1

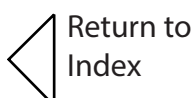


Return to  
Index

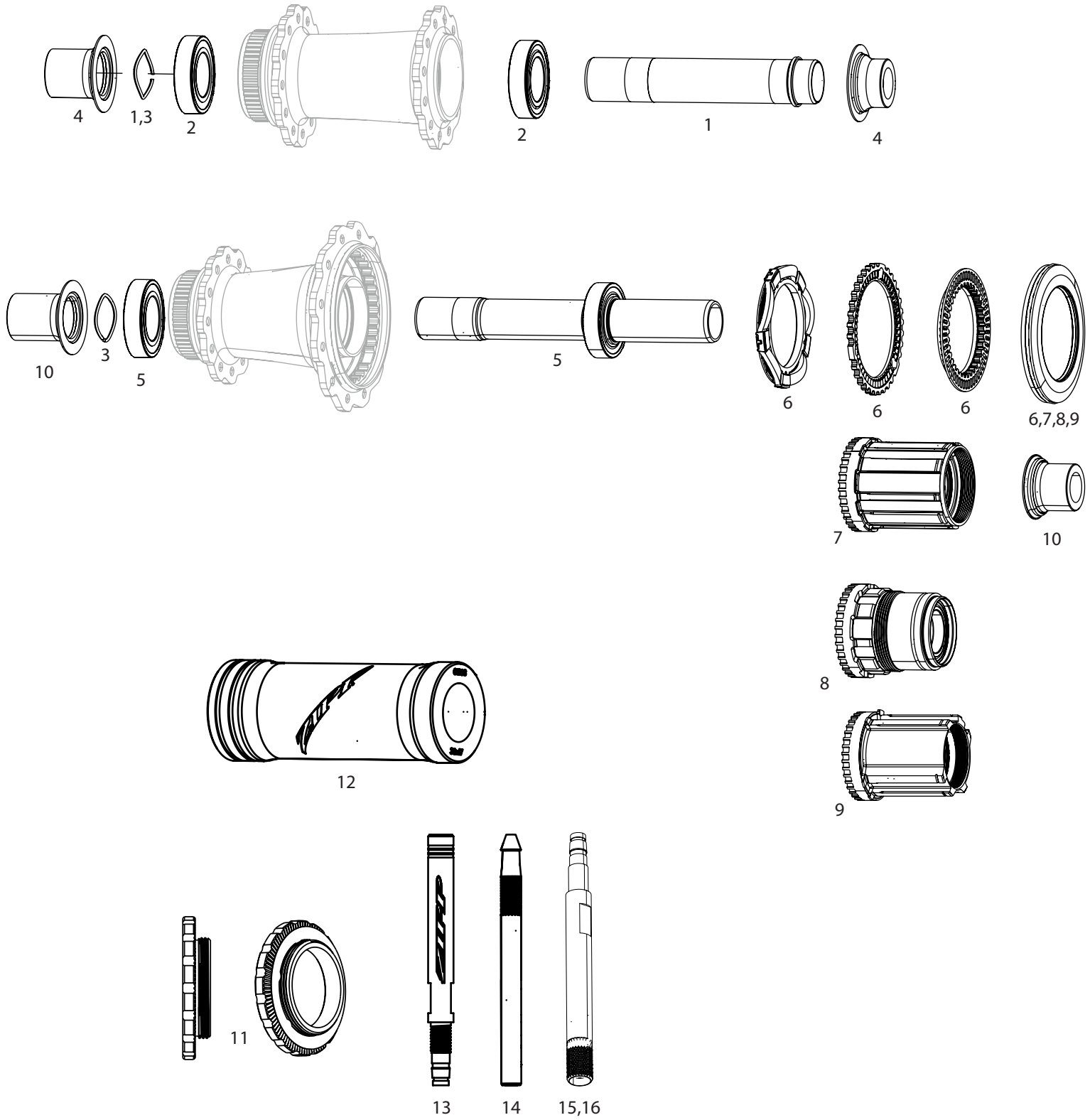
## 454 NSW

WH-454-NTLD-B1, WH-454-NTUD-B1

NO.	PART NUMBER	DESCRIPTION
<b>Hub</b>		
1	11.2018.065.002	HUB AXLE - FRONT - ZIPP COGNITION V2 DISC BRAKE (AXLE AND WAVE SPRING)
2	11.2018.052.002	WHEEL HUB BEARINGS COGNITION DISC BRAKE NSW (FRONT OR REAR, 1 PAIR)
3	11.2018.032.003	WHEEL WAVE SPRING ZIPP COGNITION NSW AXLE
4	11.2018.049.000	WHEEL AXLE END CAP SET FRONT ZIPP COGNITION CENTER LOCKING DISC BRAKE THRU AXLE 12X100
ns	11.2018.050.000	WHEEL AXLE END CAP SET FRONT ZIPP COGNITION CENTER LOCKING DISC BRAKE THRU AXLE 15X100
ns	11.2018.048.000	WHEEL AXLE END CAP SET FRONT ZIPP COGNITION CENTER LOCKING DISC BRAKE QUICK RELEASE
5	11.2018.065.004	HUB AXLE - REAR - ZIPP COGNITION V2 DISC BRAKE NSW WITH BEARINGS (2X 61903)
6	11.2018.065.006	HUB COGNITION V2 AXIAL CLUTCH KIT DISC BRAKE / RIM BRAKE (INCLUDES RATCHET SHELL AND DRIVER, SYLOMER SPRING ASSEMBLY AND SEAL CAP)
7	11.2018.065.000	HUB FREEHUB KIT COGNITION V2 NSW DISC BRAKE / RIM BRAKE 11-SPEED SRAM
8	11.2018.065.001	HUB FREEHUB KIT COGNITION V2 NSW DISC BRAKE / RIM BRAKE XDR
9	11.2018.065.009	HUB FREEHUB KIT COGNITION V2 NSW DISC BRAKE / RIM BRAKE CAMPAGNOLO
10	11.2018.065.007	HUB AXLE END CAP SET REAR ZIPP COGNITION V2 DISC BRAKE / RIM BRAKE COMPATIBLE WITH XDR AND 11-SPD
ns	11.2018.049.040	WHEEL AXLE END CAP SET REAR ZIPP COGNITION CENTER LOCKING DISC BRAKE THRU AXLE 12X142 CAMPY
<b>Spokes/Nipples/Washers</b>		
ns	11.1918.072.008	SPOKES & NIPPLES & WASHERS 3-PACK 248MM CX-RAY J-BEND EXTERNAL BLACK
ns	11.1918.072.006	SPOKES & NIPPLES & WASHERS 3-PACK 252MM CX-RAY J-BEND EXTERNAL BLACK
ns	11.1918.072.007	SPOKES & NIPPLES & WASHERS 3-PACK 254MM CX-RAY J-BEND EXTERNAL BLACK
<b>Tools &amp; Accessories</b>		
11	11.2018.063.002	HUB CENTERLOCK ROTOR DISC LOCKRING BLACK ZIPP LOGO (FOR ROTORS UP TO 160MM) QTY 1
12	00.1918.177.060	Bearing Press Tool 61903, Zipp Cognition Disc Brake Rear, ZR1, ZM2
13	00.1915.130.080	Zipp Valve Extension Black 48mm for Zipp 60/404 (use with threaded presta valve)
14	00.1918.259.005	Zipp Tangente Aluminum Knurled Valve Extender Kit 60/404 41mm (Qty 3) and Valve Extender Wrench (Qty 2) (use with Removable Presta Valve, recommended for use with Zipp Tangente Tube)
15	00.1918.259.009	Zipp Tangente Aluminum Knurled Valve Extender 60/404 41mm (Qty 1) (use with Removable Presta Valve, recommended for use with Zipp Tangente Tube)
16	11.1918.085.001	ZIPP TANGENTE ALUMINUM KNURLED VALVE EXTENDER KIT 60/404 41MM (QTY 2) AND WRENCH (QTY 2) (USE WITH REMOVABLE PRESTA VALVE, RECOMMENDED FOR USE WITH ZIPP TANGENTE TUBE)
ns	11.1918.084.002	TUBELESS KIT INCLUDES 10 METER OF 26MM TAPE, 2 UNIVERSAL VALVES 80MM & 1 VALVE CORE WRENCH (FITS 454,404)



858 NSW  
WH-858-NTLD-B1



Return to  
Index

# 858 NSW

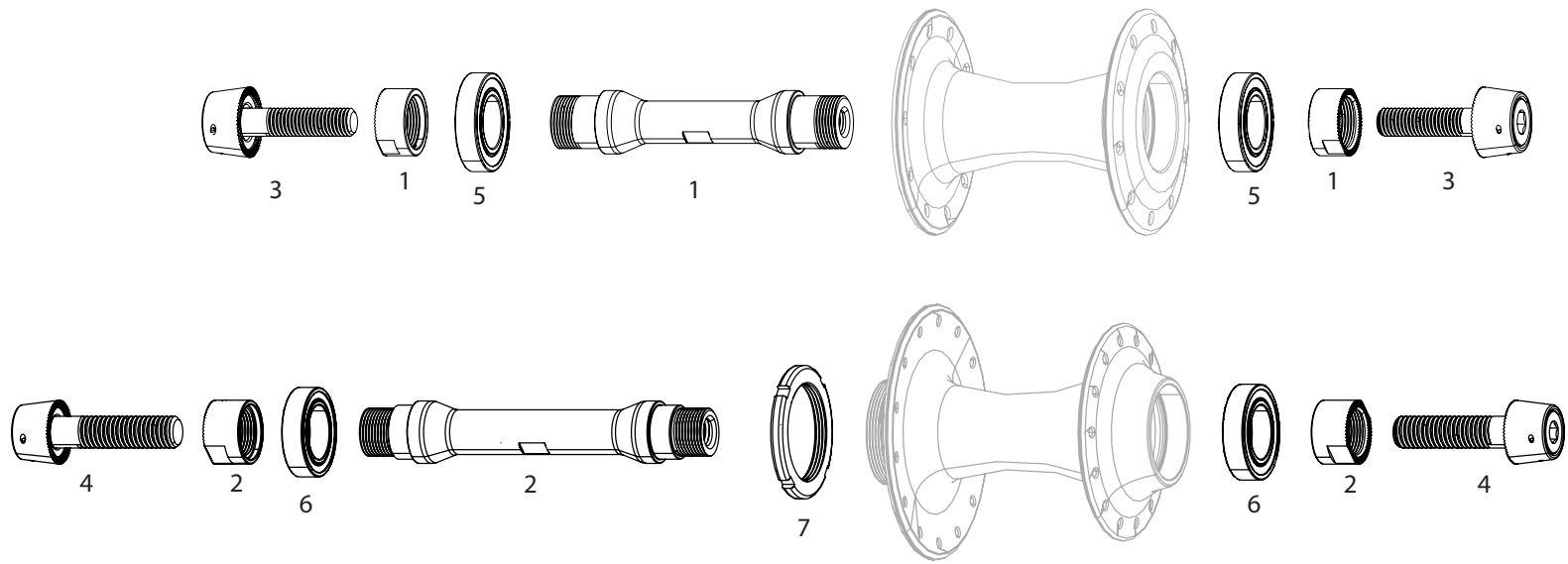
WH-858-NTLD-B1

NO.	PART NUMBER	DESCRIPTION
<b>Hub</b>		
1	11.2018.065.002	HUB AXLE - FRONT - ZIPP COGNITION V2 DISC BRAKE (AXLE AND WAVE SPRING)
2	11.2018.052.002	WHEEL HUB BEARINGS COGNITION DISC BRAKE NSW (FRONT OR REAR, 1 PAIR)
3	11.2018.032.003	WHEEL WAVE SPRING ZIPP COGNITION NSW AXLE
4	11.2018.049.000	WHEEL AXLE END CAP SET FRONT ZIPP COGNITION CENTER LOCKING DISC BRAKE THRU AXLE 12X100
ns	11.2018.050.000	WHEEL AXLE END CAP SET FRONT ZIPP COGNITION CENTER LOCKING DISC BRAKE THRU AXLE 15X100
ns	11.2018.048.000	WHEEL AXLE END CAP SET FRONT ZIPP COGNITION CENTER LOCKING DISC BRAKE QUICK RELEASE
5	11.2018.065.004	HUB AXLE - REAR - ZIPP COGNITION V2 DISC BRAKE NSW WITH BEARINGS (2X 61903)
6	11.2018.065.006	HUB COGNITION V2 AXIAL CLUTCH KIT DISC BRAKE / RIM BRAKE (INCLUDES RATCHET SHELL AND DRIVER, SYLOMER SPRING ASSEMBLY AND SEAL CAP)
7	11.2018.065.000	HUB FREEHUB KIT COGNITION V2 NSW DISC BRAKE / RIM BRAKE 11-SPEED SRAM
8	11.2018.065.001	HUB FREEHUB KIT COGNITION V2 NSW DISC BRAKE / RIM BRAKE XDR
9	11.2018.065.009	HUB FREEHUB KIT COGNITION V2 NSW DISC BRAKE / RIM BRAKE CAMPAGNOLO
10	11.2018.065.007	HUB AXLE END CAP SET REAR ZIPP COGNITION V2 DISC BRAKE / RIM BRAKE COMPATIBLE WITH XDR AND 11-SPD
ns	11.2018.049.040	WHEEL AXLE END CAP SET REAR ZIPP COGNITION CENTER LOCKING DISC BRAKE THRU AXLE 12X142 CAMPY
<b>Spokes/Nipples/Washers</b>		
ns	11.1918.072.003	SPOKES & NIPPLES & WASHERS 3-PACK 226MM CX-RAY J-BEND EXTERNAL BLACK
ns	11.1918.072.004	SPOKES & NIPPLES & WASHERS 3-PACK 230MM CX-RAY J-BEND EXTERNAL BLACK
ns	11.1918.072.005	SPOKES & NIPPLES & WASHERS 3-PACK 232MM CX-RAY J-BEND EXTERNAL BLACK
<b>Tools &amp; Accessories</b>		
11	11.2018.063.002	HUB CENTERLOCK ROTOR DISC LOCKRING BLACK ZIPP LOGO (FOR ROTORS UP TO 160MM) QTY 1
12	00.1918.177.060	Bearing Press Tool 61903, Zipp Cognition Disc Brake Rear, ZR1, ZM2
13	00.1915.130.090	Zipp Valve Extension Black 72mm for Zipp 808 (use with threaded presta valve)
14	00.1918.259.006	Zipp Tangente Aluminum Knurled Valve Extender Kit 808 65mm (Qty 3) and Valve Extender Wrench (Qty 2) (use with Removable Presta Valve, recommended for use with Zipp Tangente Tube)
15	00.1918.259.010	Zipp Tangente Aluminum Knurled Valve Extender 808 65mm (Qty 1) (use with Removable Presta Valve, recommended for use with Zipp Tangente Tube)
16	11.1918.085.002	ZIPP TANGENTE ALUMINUM KNURLED VALVE EXTENDER KIT 808 65MM (QTY 2) AND WRENCH (QTY 2) (USE WITH REMOVABLE PRESTA VALVE, RECOMMENDED FOR USE WITH ZIPP TANGENTE TUBE)
ns	11.1918.084.003	TUBELESS KIT INCLUDES 10 METER OF 23MM TAPE, 2 UNIVERSAL VALVES 100MM & 1 VALVE CORE WRENCH (FITS 858,808 NSW)



# TRACK Wheels

WH-404-TUTK-A1, WH-808-TUTK-A1

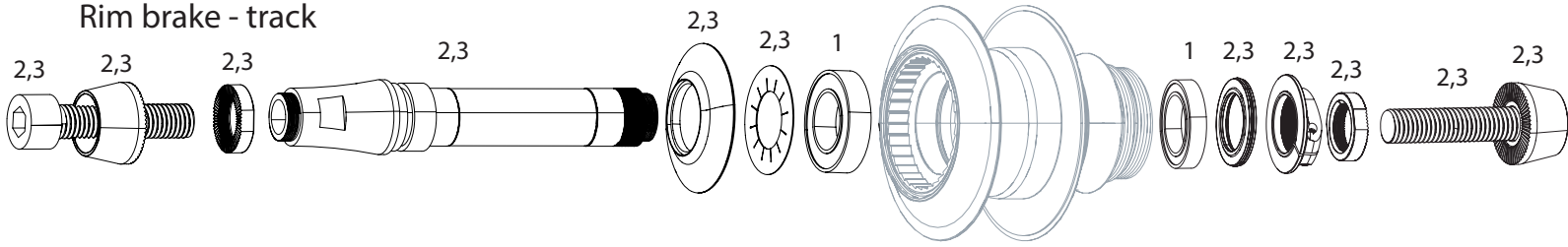


NO.	PART NUMBER	DESCRIPTION
<b>Hub</b>		
1	11.1918.057.000	WHEEL AXLE FRONT ZIPP 333 TRACK HUB WITH CONES
2	11.1918.057.001	WHEEL AXLE REAR ZIPP 333 TRACK HUB WITH CONES
3	11.1918.058.000	WHEEL BOLTS AXLE FRONT ZIPP 333 HUB M8 QTY 2
4	11.1918.058.001	WHEEL BOLTS AXLE REAR ZIPP 333 HUB M10 QTY 2 - FITS 10 AND 11 SPEED SUPER-9 TRACK AXLES
5	11.1918.059.000	WHEEL HUB BEARINGS FRONT ZIPP 333 TRACK HUB
6	11.1918.059.001	WHEEL HUB BEARINGS REAR ZIPP 333 TRACK HUB
7	11.2018.023.001	WHEEL LOCKRING TRACK BLACK
<b>Spokes/Nipples/Washers</b>		
WH-404-TUTK-A1		
ns	11.1918.078.007	SPOKES & NIPPLES & WASHERS 3-PACK 238MM CX-RAY J-BEND EXTERNAL BLACK
ns	11.1918.078.009	SPOKES & NIPPLES & WASHERS 3-PACK 242MM CX-RAY J-BEND EXTERNAL BLACK
ns	11.1918.078.011	SPOKES & NIPPLES & WASHERS 3-PACK 246MM CX-RAY J-BEND EXTERNAL BLACK
WH-808-TUTK-A1		
ns	11.1918.078.005	SPOKES & NIPPLES & WASHERS 3-PACK 214MM CX-RAY J-BEND EXTERNAL BLACK
ns	11.1918.072.003	SPOKES & NIPPLES & WASHERS 3-PACK 226MM CX-RAY J-BEND EXTERNAL BLACK
ns	11.1918.078.006	SPOKES & NIPPLES & WASHERS 3-PACK 228MM CX-RAY J-BEND EXTERNAL BLACK
<b>Decals</b>		
ns	11.1918.030.002	WHEEL DECAL SET 404 MATTE WHITE/NO BORDER ZIPP LOGO COMPLETE FOR ONE WHEEL
ns	11.1918.030.003	WHEEL DECAL SET 808 MATTE WHITE/NO BORDER ZIPP LOGO COMPLETE FOR ONE WHEEL OR DISC

Return to  
Index

# TRACK Wheels SUPER 9 TRACK / 900 TRACK

## Rim brake - track



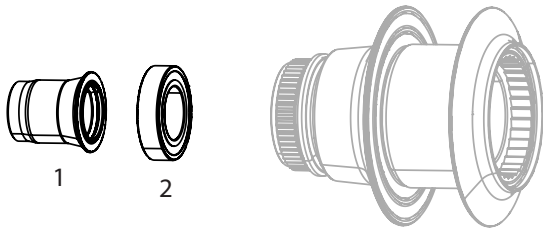
NO.	PART NUMBER	DESCRIPTION
1	11.2018.024.000	WHEEL HUB BEARINGS REAR PAIR ZIPP 188 V9 (61903)
1	11.1915.064.000	WHEEL HUB BEARINGS FRONT OR REAR PAIR ZIPP SUPER 9 (61903 & 61803 2RS)
2	11.1918.026.000	WHEEL CONVERSION KIT DISC 11 SPEED TO TRACK 188 BLACK
3	11.2100.107.000	WHEEL AXLE CONVERSION KIT TRACK/DISC 188 (CASSETTE TO TRACK 10 SPEED HUBS ONLY)

Return to  
Index

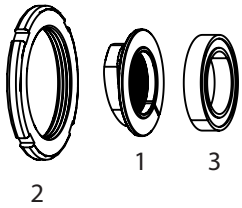
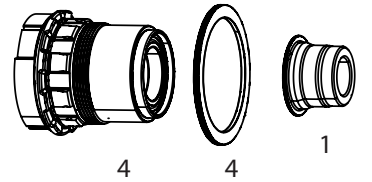
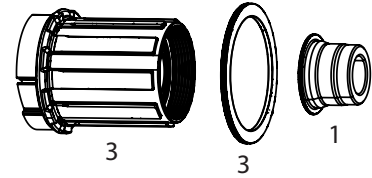
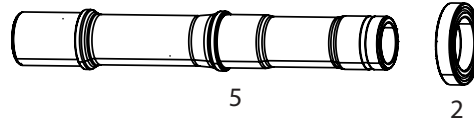


# DISC wheels SUPER 9

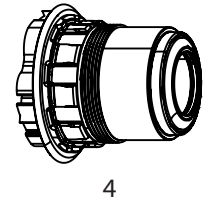
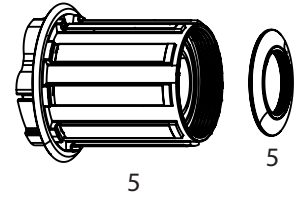
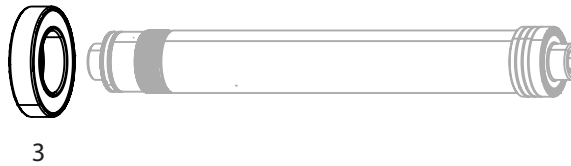
WH-SP9-TLD-A1, WH-SP9-TLR-A1, WH-SP9-TUD-A2, WH-SP9-TUR-A2



DISC BRAKE



RIM BRAKE



Return to  
Index

## DISC wheels SUPER 9

WH-SP9-TLD-A1, WH-SP9-TLR-A1


NO.	PART NUMBER	DESCRIPTION
-----	-------------	-------------

WH-SP9-TLD-A1, WH-SP9-TUD-A2

1	11.2018.066.000	WHEEL AXLE END CAP SET REAR ZIPP SUPER 9 DISC BRAKE 12X142 THRU-AXLE
2	11.2018.061.002	WHEEL BEARING KIT REAR ZIPP SUPER 9 DISC BRAKE 61803 QTY 1, 61903 QTY 1
3	11.2018.061.000	WHEEL FREEHUB KIT SS 176/177 11 SPEED SRAM
4	11.2018.062.000	WHEEL FREEHUB KIT SS 176/177 SRAM XDR
5	11.2018.068.000	HUB AXLE FOR SUPER 9 DISC BRAKE REAR
6	11.2018.063.002	HUB CENTERLOCK ROTOR DISC LOCKRING BLACK ZIPP LOGO (FOR ROTORS UP TO 160MM) QTY 1
ns	11.2018.061.001	WHEEL FREEHUB KIT SS 176/177 11 SPEED CAMPAGNOLO

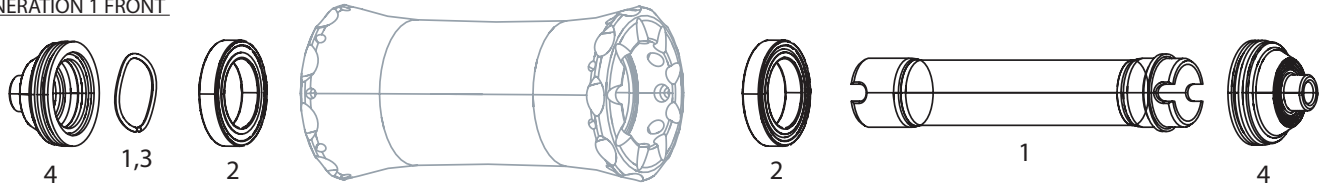
WH-SP9-TLR-A1, WH-SP9-TUR-A2

1	11.2018.000.002	WHEEL CLINCH NUT AND SCREW THREADED BLACK REAR 188V7
2	11.2018.023.001	WHEEL LOCKRING TRACK BLACK
3	11.1915.064.000	WHEEL HUB BEARINGS FRONT OR REAR PAIR ZIPP SUPER 9 (61903 & 61803 2RS)
4	11.1918.077.000	WHEEL FREEHUB KIT SRAM XDR (SUPER 9RB ONLY)
5	11.1918.007.000	WHEEL FREEHUB KIT 188 11 SPEED SRAM
ns	11.1918.007.001	WHEEL FREEHUB KIT 188 11 SPEED CAMPAGNOLO

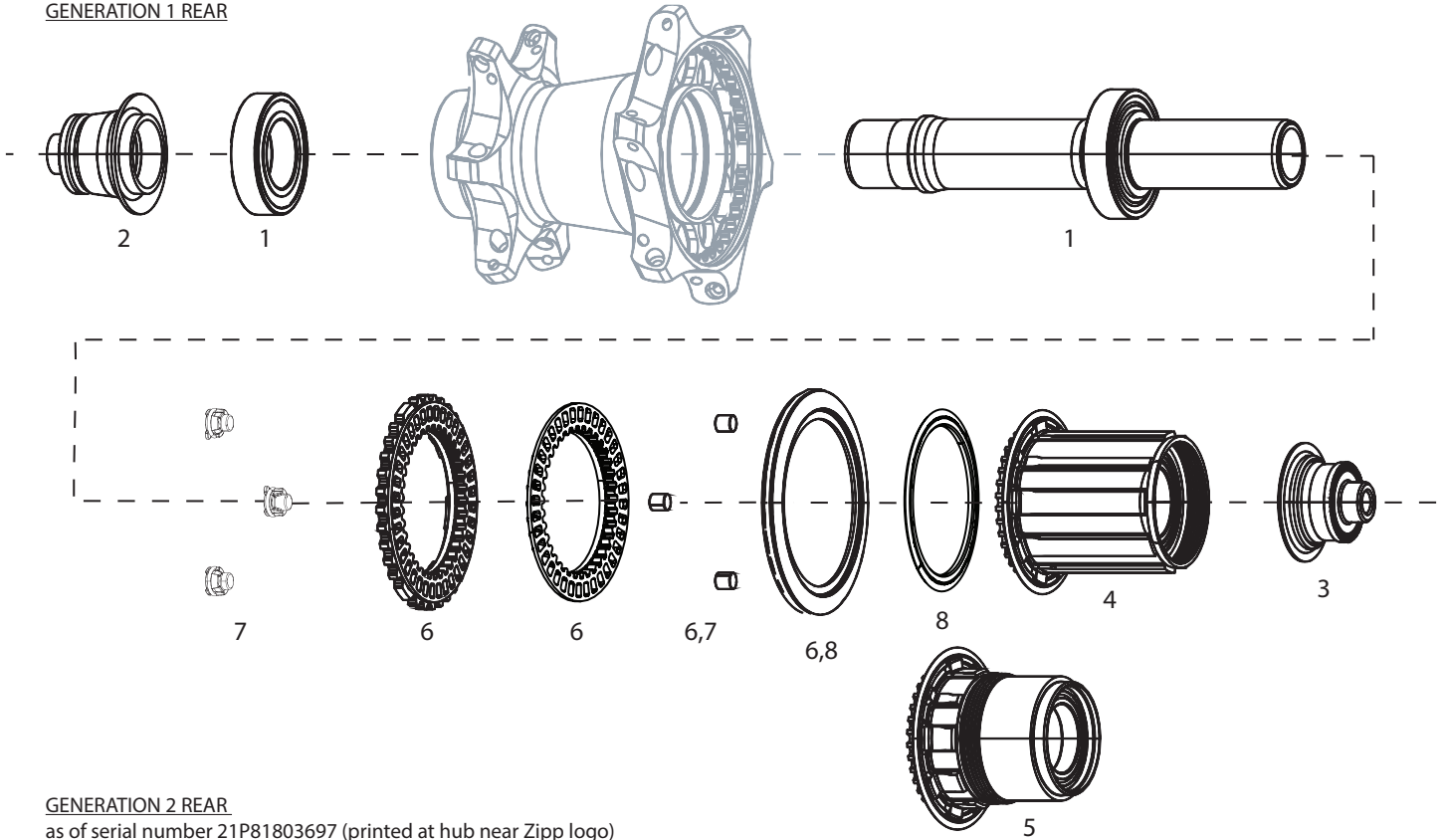
 Return to  
Index

# Cognition V1 rim brake hubs

## GENERATION 1 FRONT

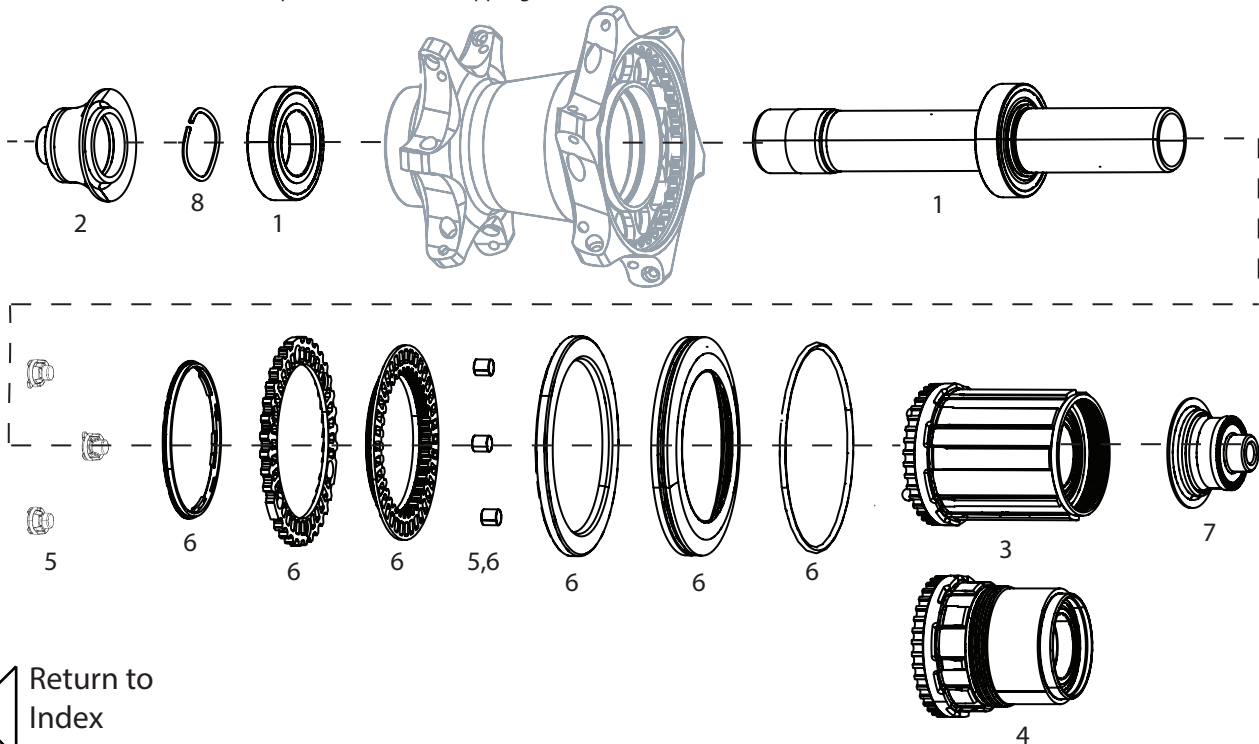


## GENERATION 1 REAR



## GENERATION 2 REAR

as of serial number 21P81803697 (printed at hub near Zipp logo)



Return to  
Index

## Cognition V1 rim brake hubs

### FRONT (GENERATION 1&2)

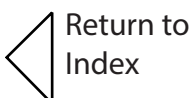
NO.	PART NUMBER	DESCRIPTION
1	11.2018.032.000	WHEEL AXLE FRONT ZIPP COGNITION NSW WITH WAVE SPRING
2	11.2018.032.001	WHEEL BEARING KIT FRONT ZIPP 76/77/COGNITION NSW 61803 QTY 2
3	11.2018.032.003	WHEEL WAVE SPRING ZIPP COGNITION NSW AXLE
4	11.2018.033.000	WHEEL AXLE END CAP ASSEMBLY FRONT ZIPP COGNITION NSW HUB

### REAR (GENERATION 1)

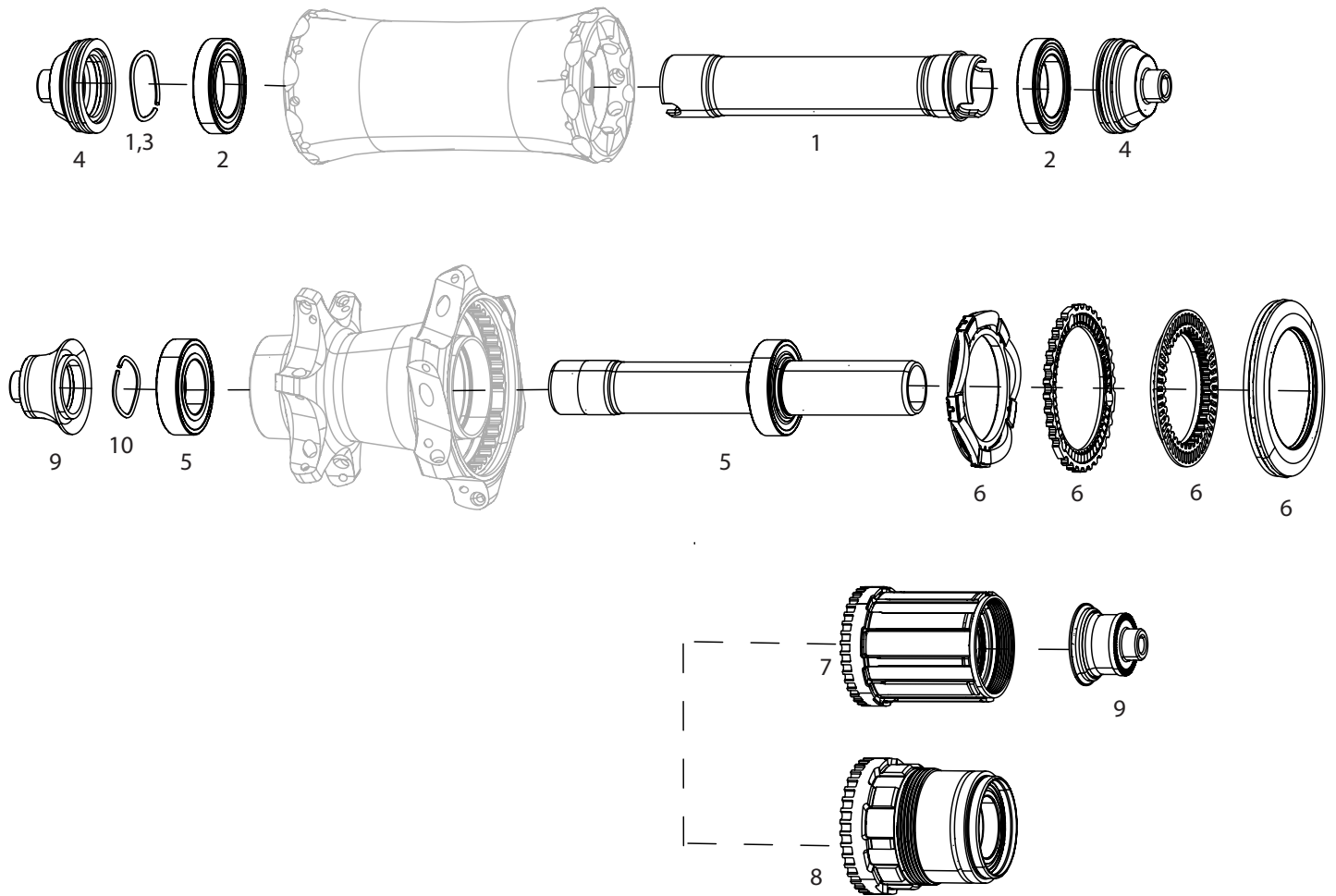
NO.	PART NUMBER	DESCRIPTION
1	11.2018.032.002	WHEEL AXLE REAR ZIPP COGNITION NSW WITH BEARINGS
2	11.2018.033.001	WHEEL AXLE END CAP ASSEMBLY NON DRIVE REAR ZIPP COGNITION NSW
3	11.2018.033.002	WHEEL AXLE END CAP ASSEMBLY DRIVE SIDE REAR ZIPP COGNITION NSW SRAM
3	11.2018.033.003	WHEEL AXLE END CAP ASSEMBLY DRIVE SIDE REAR ZIPP COGNITION NSW XDR/CAMPAGNOLO GENERATION 1 AND XDR GENERATION 2
4	11.2018.034.000	WHEEL FREEHUB KIT COGNITION NSW 11 SPEED SRAM
ns	11.2018.034.001	WHEEL FREEHUB KIT COGNITION NSW 11-SPEED CAMPAGNOLO
5	11.2018.034.002	WHEEL FREEHUB KIT COGNITION NSW XDR
6	11.2018.035.000	WHEEL CLUTCH ASSEMBLY AND SEAL FOR REAR ZIPP COGNITION NSW
7	11.2018.035.001	WHEEL MAGNET KIT INNER AND OUTER FOR REAR ZIPP COGNITION NSW
8	11.2018.037.000	WHEEL SEAL CAP AND V-RING REAR ZIPP COGNITION NSW
ns	00.1918.177.050	BEARING PRESS TOOL 6804, ZIPP COGNITION REAR HUB

### REAR (GENERATION 2)

1	11.2018.056.000	WHEEL AXLE REAR ZIPP COGNITION NSW WITH BEARINGS GENERATION 2
2	11.2018.057.000	WHEEL AXLE END CAP ASSEMBLY NON DRIVE REAR ZIPP COGNITION NSW GENERATION 2
3	11.2018.051.000	WHEEL FREEHUB KIT COGNITION NSW 11-SPEED SRAM DISC BRAKE / RIM BRAKE GENERATION 2
ns	11.2018.051.001	WHEEL FREEHUB KIT COGNITION NSW 11-SPEED CAMPAGNOLO DISC BRAKE / RIM BRAKE GENERATION 2
4	11.2018.051.002	WHEEL FREEHUB KIT COGNITION NSW XDR DISC BRAKE / RIM BRAKE GENERATION 2
5	11.2018.035.001	WHEEL MAGNET KIT INNER AND OUTER FOR REAR ZIPP COGNITION NSW
6	11.2018.053.000	WHEEL CLUTCH ASSEMBLY AND SEAL FOR REAR ZIPP COGNITION NSW DISC BRAKE / RIM BRAKE GENERATION 2
7	11.2018.033.002	WHEEL AXLE END CAP ASSEMBLY DRIVE SIDE REAR ZIPP COGNITION NSW SRAM
ns	11.2018.033.003	WHEEL AXLE END CAP ASSEMBLY DRIVE SIDE REAR ZIPP COGNITION NSW XDR/CAMPAGNOLO GENERATION 1 AND XDR GENERATION 2
ns	11.2018.058.000	WHEEL AXLE END CAP ASSEMBLY DRIVE SIDE REAR ZIPP COGNITION NSW ZR1 CAMPAGNOLO
8	11.2018.032.003	WHEEL WAVE SPRING ZIPP COGNITION NSW AXLE
ns	00.1918.177.060	BEARING PRESS TOOL 61903, ZIPP COGNITION DISC BRAKE REAR HUB



# Cognition V2 rim brake hubs



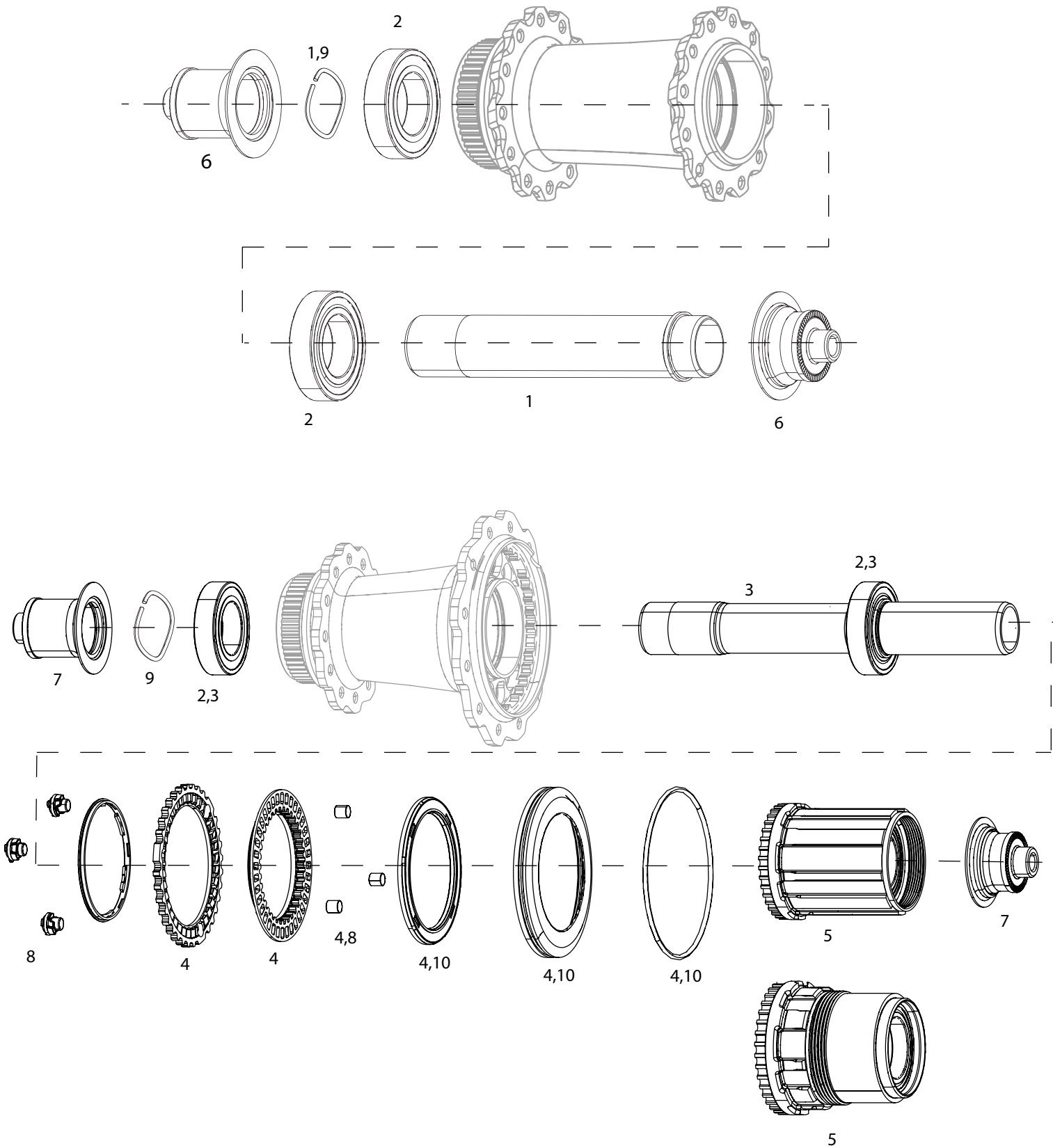
Return to  
Index

## Cognition V2 rim brake hubs

NO.	PART NUMBER	DESCRIPTION
FRONT		
1	11.2018.065.003	HUB AXLE - FRONT - ZIPP COGNITION V2 RIM BRAKE (AXLE AND WAVE SPRING)
2	11.2018.032.001	WHEEL BEARING KIT FRONT ZIPP 76/77/COGNITION NSW 61803 QTY 2
3	11.2018.032.003	WHEEL WAVE SPRING ZIPP COGNITION NSW AXLE
4	11.2018.033.000	WHEEL AXLE END CAP ASSEMBLY FRONT ZIPP COGNITION NSW HUB
REAR		
5	11.2018.065.005	HUB AXLE - REAR - ZIPP COGNITION V2 RIM BRAKE NSW WITH BEARINGS (2X 61903)
6	11.2018.065.006	HUB COGNITION V2 AXIAL CLUTCH KIT DISC BRAKE / RIM BRAKE (INCLUDES RATCHET SHELL AND DRIVER, SYLOMER SPRING ASSEMBLY AND SEAL CAP)
7	11.2018.065.000	HUB FREEHUB KIT COGNITION V2 NSW DISC BRAKE / RIM BRAKE 11-SPEED SRAM
8	11.2018.065.001	HUB FREEHUB KIT COGNITION V2 NSW DISC BRAKE / RIM BRAKE XDR
ns	11.2018.065.009	HUB FREEHUB KIT COGNITION V2 NSW DISC BRAKE / RIM BRAKE CAMPAGNOLO
ns	11.2018.065.007	HUB AXLE END CAP SET REAR ZIPP COGNITION V2 DISC BRAKE / RIM BRAKE COMPATIBLE WITH XDR AND 11-SPD
ns	11.2018.033.001	WHEEL AXLE END CAP ASSEMBLY NON DRIVE REAR ZIPP COGNITION NSW
ns	11.2018.033.003	WHEEL AXLE END CAP ASSEMBLY DRIVE SIDE REAR ZIPP COGNITION NSW XDR/CAMPAGNOLO GENERATION 1 AND XDR GENERATION 2
9	11.2018.065.008	HUB AXLE END CAP SET REAR ZIPP COGNITION V2 RIM BRAKE QUICK RELEASE
10	11.2018.032.003	WHEEL WAVE SPRING ZIPP COGNITION NSW AXLE

 Return to  
Index

# Cognition V1 Disc brake hubs



Return to  
Index

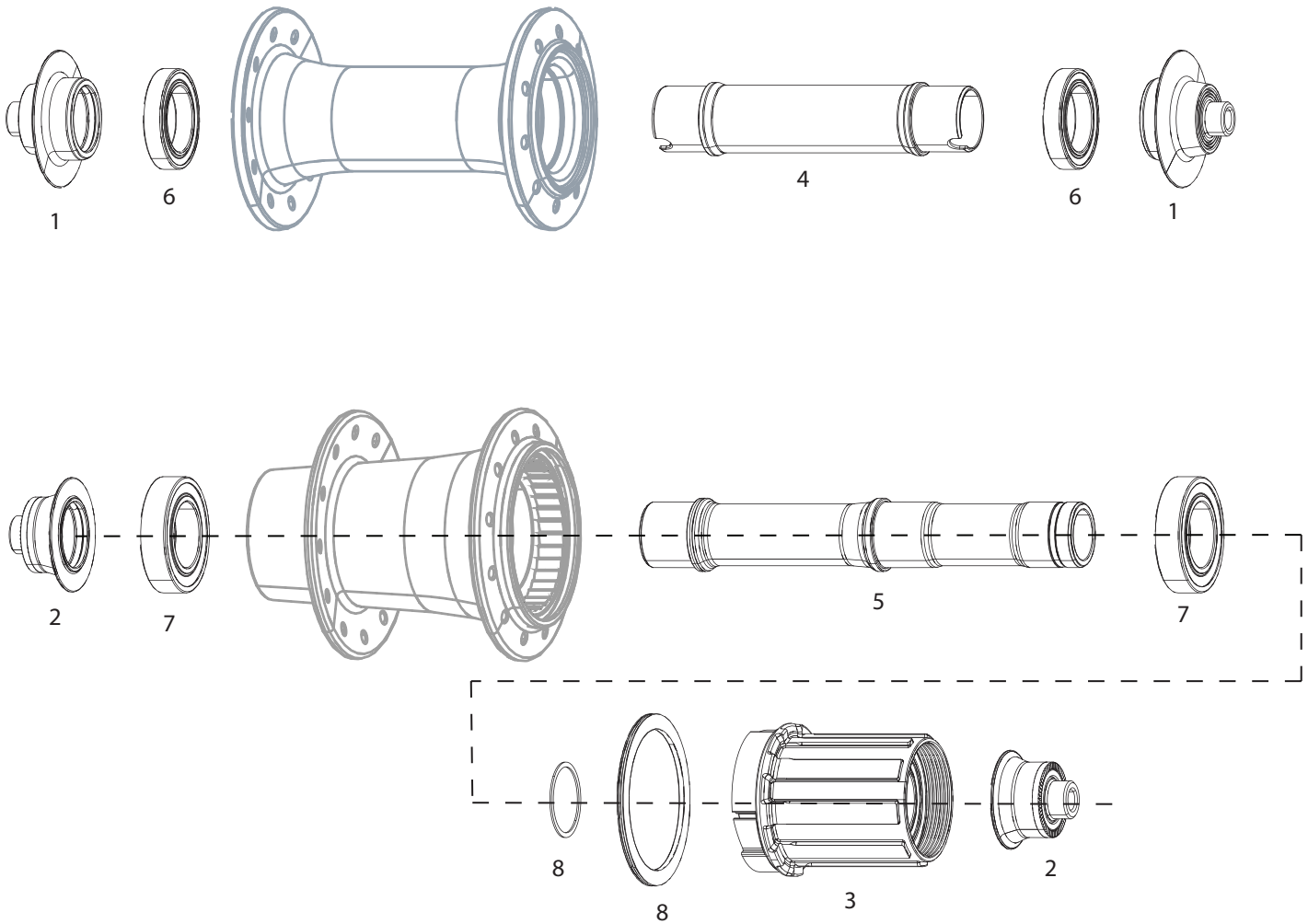


## Cognition V1 Disc brake hubs

NO.	PART NUMBER	DESCRIPTION
1	11.2018.052.000	WHEEL AXLE FRONT ZIPP COGNITION DISC BRAKE NSW WITH WAVE SPRING
2	11.2018.052.002	WHEEL HUB BEARINGS COGNITION DISC BRAKE NSW (FRONT OR REAR, 1 PAIR)
3	11.2018.052.001	WHEEL AXLE REAR ZIPP COGNITION DISC BRAKE NSW WITH BEARINGS
4	11.2018.053.000	WHEEL CLUTCH ASSEMBLY AND SEAL FOR REAR ZIPP COGNITION NSW DISC BRAKE / RIM BRAKE GENERATION 2
5	11.2018.051.000	WHEEL FREEHUB KIT COGNITION NSW 11-SPEED SRAM DISC BRAKE / RIM BRAKE GENERATION 2
5	11.2018.051.001	WHEEL FREEHUB KIT COGNITION NSW 11-SPEED CAMPAGNOLO DISC BRAKE / RIM BRAKE GENERATION 2
5	11.2018.051.002	WHEEL FREEHUB KIT COGNITION NSW XDR DISC BRAKE / RIM BRAKE GENERATION 2
6	11.2018.048.000	WHEEL AXLE END CAP SET FRONT ZIPP COGNITION CENTER LOCKING DISC BRAKE QUICK RELEASE
6	11.2018.049.000	WHEEL AXLE END CAP SET FRONT ZIPP COGNITION CENTER LOCKING DISC BRAKE THRU AXLE 12X100
6	11.2018.050.000	WHEEL AXLE END CAP SET FRONT ZIPP COGNITION CENTER LOCKING DISC BRAKE THRU AXLE 15X100
7	11.2018.048.010	WHEEL AXLE END CAP SET REAR ZIPP COGNITION CENTER LOCKING DISC BRAKE QUICK RELEASE SRAM
7	11.2018.048.020	WHEEL AXLE END CAP SET REAR ZIPP COGNITION CENTER LOCKING QUICK RELEASE CAMPY DISC BRAKE / RIM BRAKE GENERATION 2
7	11.2018.048.030	WHEEL AXLE END CAP SET REAR ZIPP COGNITION CENTER LOCKING DISC BRAKE QUICK RELEASE XDR
8	11.2018.035.001	WHEEL MAGNET KIT INNER AND OUTER FOR REAR ZIPP COGNITION NSW
9	11.2018.032.003	WHEEL WAVE SPRING ZIPP COGNITION NSW AXLE
10	11.2018.055.000	WHEEL SEAL CAP AND O-RING REAR ZIPP COGNITION DISC NSW
ns	11.2018.049.010	WHEEL AXLE END CAP SET REAR ZIPP COGNITION CENTER LOCKING DISC BRAKE THRU AXLE 12X135 SRAM
ns	11.2018.049.020	WHEEL AXLE END CAP SET REAR ZIPP COGNITION CENTER LOCKING DISC BRAKE THRU AXLE 12X142 SRAM
ns	11.2018.049.030	WHEEL AXLE END CAP SET REAR ZIPP COGNITION CENTER LOCKING DISC BRAKE THRU AXLE 12X135 CAMPY
ns	11.2018.049.050	WHEEL AXLE END CAP SET REAR ZIPP COGNITION CENTER LOCKING DISC BRAKE THRU AXLE 12X135 XDR
ns	11.2018.049.060	WHEEL AXLE END CAP SET REAR ZIPP COGNITION CENTER LOCKING DISC BRAKE THRU AXLE 12X142 XDR



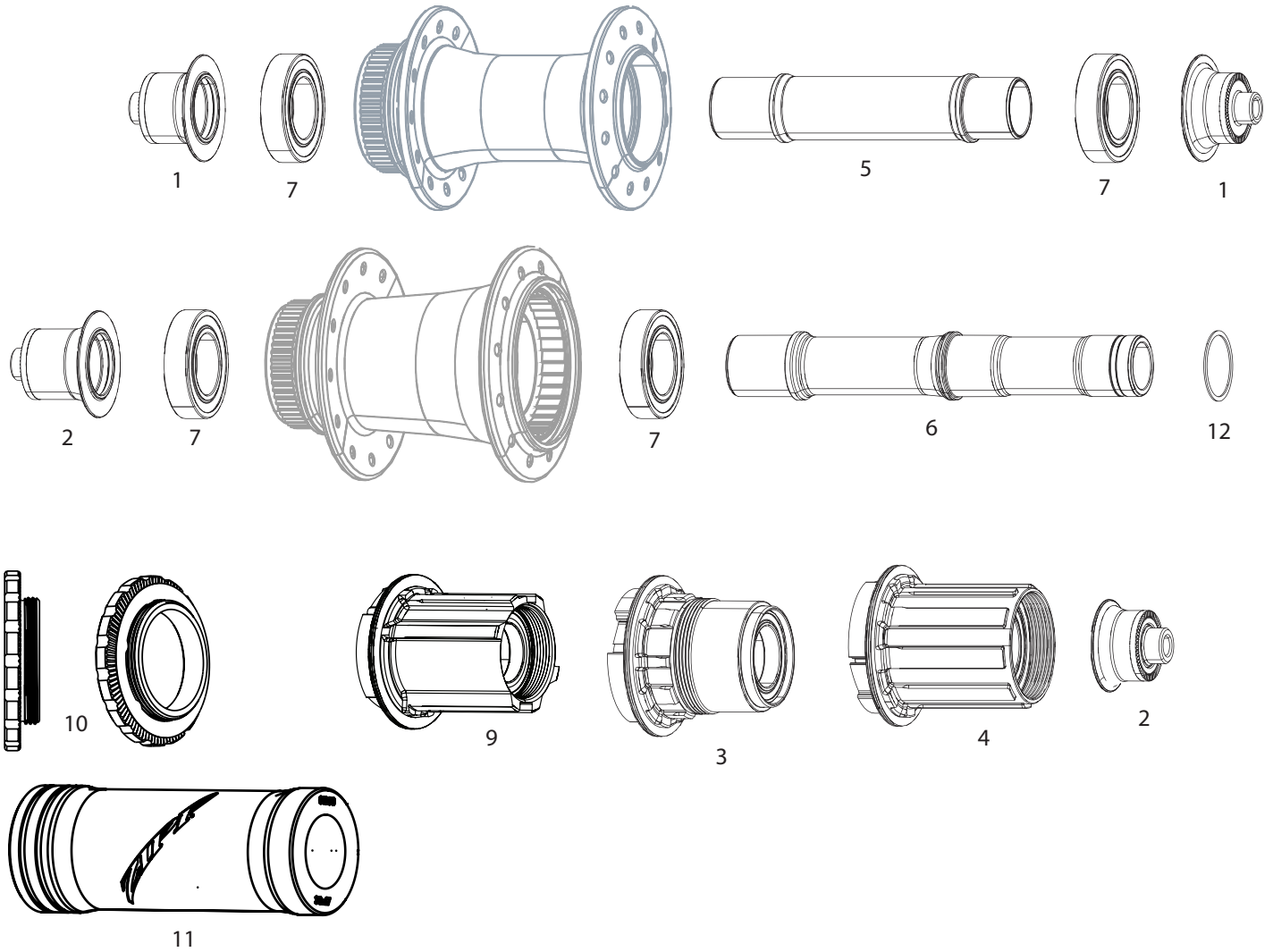
# 76/176 Rim brake



NO.	PART NUMBER	DESCRIPTION
1	11.1918.047.001	WHEEL AXLE END CAP ZIPP 76/77 FRONT QUICK RELEASE
2	11.1918.048.001	WHEEL AXLE END CAP REAR ZIPP 176/177 RIM BRAKE REAR 11-SPEED QR (CAMPA, SRAM/SHIMANO, XDR)
3	11.2018.061.000	WHEEL FREEHUB KIT SS 176/177 11 SPEED SRAM
ns.	11.2018.061.001	WHEEL FREEHUB KIT SS 176/177 11 SPEED CAMPAGNOLO
ns.	11.2018.062.000	WHEEL FREEHUB KIT SS 176/177 SRAM XDR
4	11.1918.054.000	WHEEL AXLE FRONT ZIPP 76/77 RIM BRAKE (AXLE ONLY)
5	11.1918.054.001	WHEEL AXLE REAR ZIPP 176/177 RIM BRAKE (AXLE ONLY)
6	11.2018.032.001	WHEEL HUB BEARINGS FRONT ZIPP 76/77/COGNITION NSW 61803 QTY 2
7	11.2018.061.003	WHEEL BEARING KIT FRONT/REAR 76/77 176/177 DISC, REAR 176/177 RIM, 61903 QTY 2
8	11.1918.052.000	WHEEL SEAL AND SHIM FREEHUB BODY ZIPP 177 QTY 1

Return to  
Index

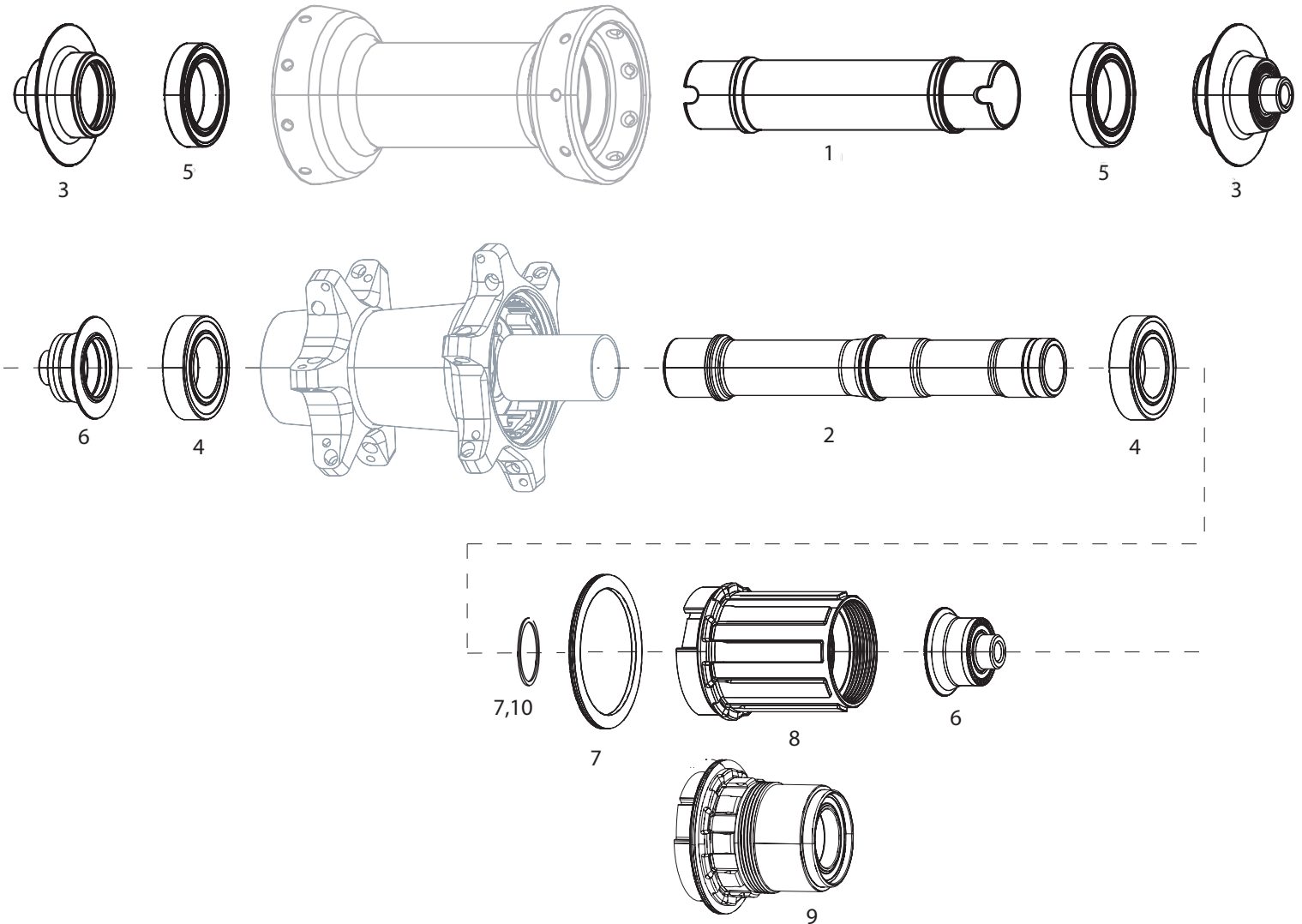
# 76/176 Disc brake



NO.	PART NUMBER	DESCRIPTION
1	11.2018.045.000	WHEEL AXLE END CAP SET FRONT ZIPP 76 CENTER LOCKING DISC BRAKE QUICK RELEASE
2	11.2018.045.010	WHEEL AXLE END CAP SET REAR ZIPP 176 CENTER LOCKING DISC BRAKE QUICK RELEASE
ns.	11.2018.046.000	WHEEL AXLE END CAP SET FRONT ZIPP 76 CENTER LOCKING DISC BRAKE THRU AXLE 12X100
ns.	11.2018.047.000	WHEEL AXLE END CAP SET FRONT ZIPP 76 CENTER LOCKING DISC BRAKE THRU AXLE 15X100
ns.	11.2018.046.010	WHEEL AXLE END CAP SET REAR ZIPP 176 CENTER LOCKING DISC BRAKE THRU AXLE 12X142
3	11.2018.062.000	WHEEL FREEHUB KIT SS 176/177 SRAM XDR
4	11.2018.061.000	WHEEL FREEHUB KIT SS 176/177 11 SPEED SRAM
5	11.2018.054.000	WHEEL AXLE FRONT ZIPP 76D DISC BRAKE (AXLE ONLY)
6	11.2018.054.001	WHEEL AXLE REAR ZIPP 176D DISC BRAKE (AXLE ONLY)
7	11.2018.061.003	WHEEL BEARING KIT FRONT/REAR 76/77 176/177 DISC, REAR 176/177 RIM, 61903 QTY 2
8	11.2018.038.000	WHEEL FREEHUB BODY SHIM ZIPP 177 QTY 1
9.	11.2018.061.001	WHEEL FREEHUB KIT SS 176/177 11 SPEED CAMPAGNOLO
10	11.2018.063.002	HUB CENTERLOCK ROTOR DISC LOCKRING BLACK ZIPP LOGO (FOR ROTORS UP TO 160MM) QTY 1
11	00.1918.177.060	Bearing Press Tool 61903, Zipp Cognition Disc Brake Rear, ZR1, ZM2
12	11.2018.038.000	WHEEL FREEHUB BODY SHIM ZIPP 177 QTY 1

Return to  
Index

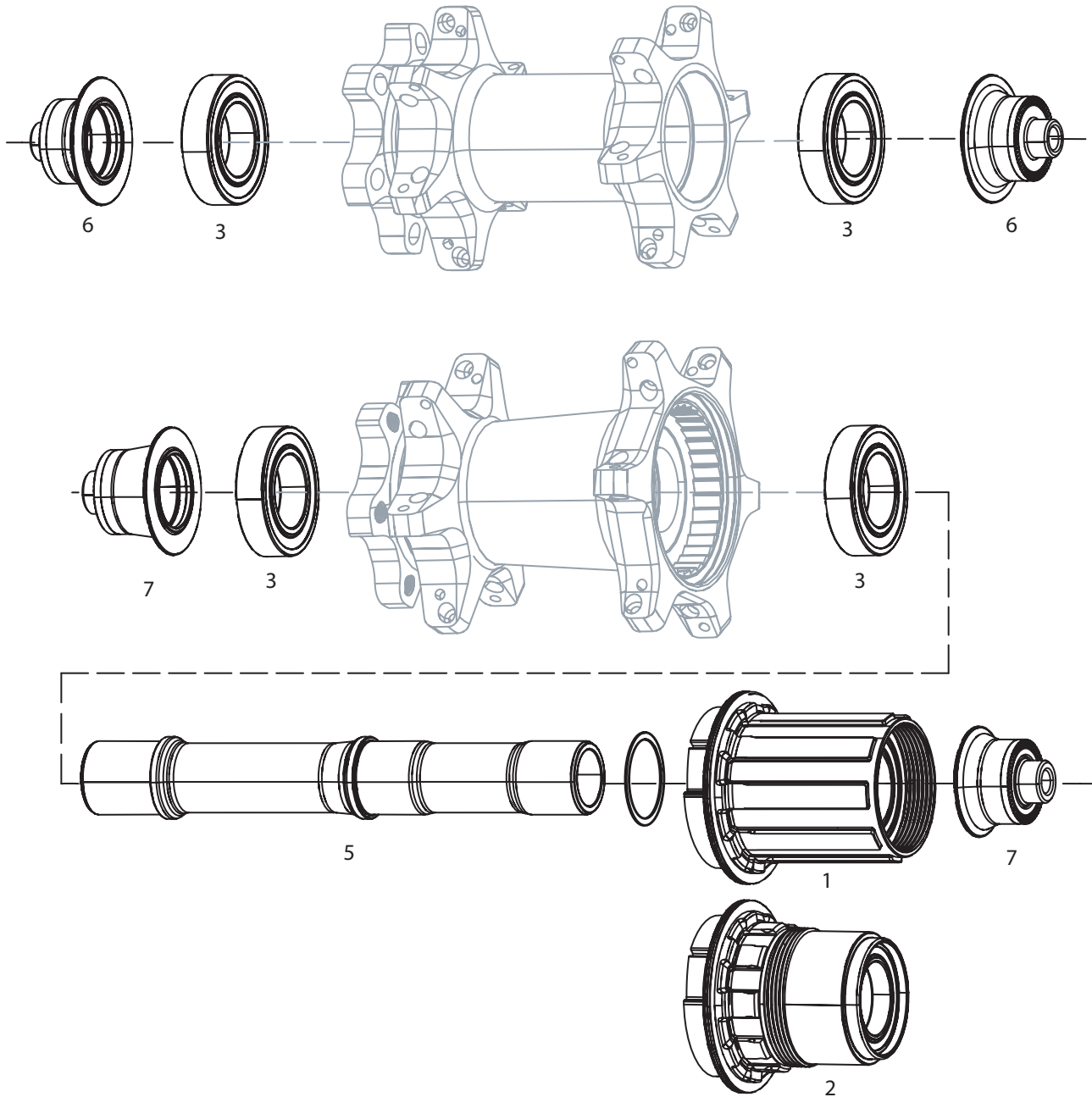
# 77/177 Rim brake



NO.	PART NUMBER	DESCRIPTION
1	11.1918.054.000	WHEEL AXLE FRONT ZIPP 76/77 RIM BRAKE (AXLE ONLY)
2	11.1918.054.001	WHEEL AXLE REAR ZIPP 176/177 RIM BRAKE (AXLE ONLY)
3	11.1918.047.001	WHEEL AXLE END CAP ZIPP 76/77 FRONT QUICK RELEASE
4	11.2018.061.003	WHEEL BEARING KIT FRONT/REAR 76/77 176/177 DISC, REAR 176/177 RIM, 61903 QTY 2
5	11.2018.032.001	WHEEL HUB BEARINGS FRONT ZIPP 76/77/COGNITION NSW 61803 QTY 2
6	11.1918.048.001	WHEEL AXLE END CAP REAR ZIPP 176/177 RIM BRAKE REAR 11-SPEED QR (CAMPA, SRAM/SHIMANO, XDR)
7	11.1918.052.000	WHEEL SEAL AND SHIM FREEHUB BODY ZIPP 177 QTY 1
ns	11.2018.036.000	WHEEL SPRING AND PAWL SET FOR ZIPP 177 REAR HUB QTY 4
8	11.2018.061.000	WHEEL FREEHUB KIT SS 176/177 11 SPEED SRAM
ns	11.2018.061.001	WHEEL FREEHUB KIT SS 176/177 11 SPEED CAMPAGNOLO
9	11.2018.062.000	WHEEL FREEHUB KIT SS 176/177 SRAM XDR
10	11.2018.038.000	WHEEL FREEHUB BODY SHIM ZIPP 177 QTY 1

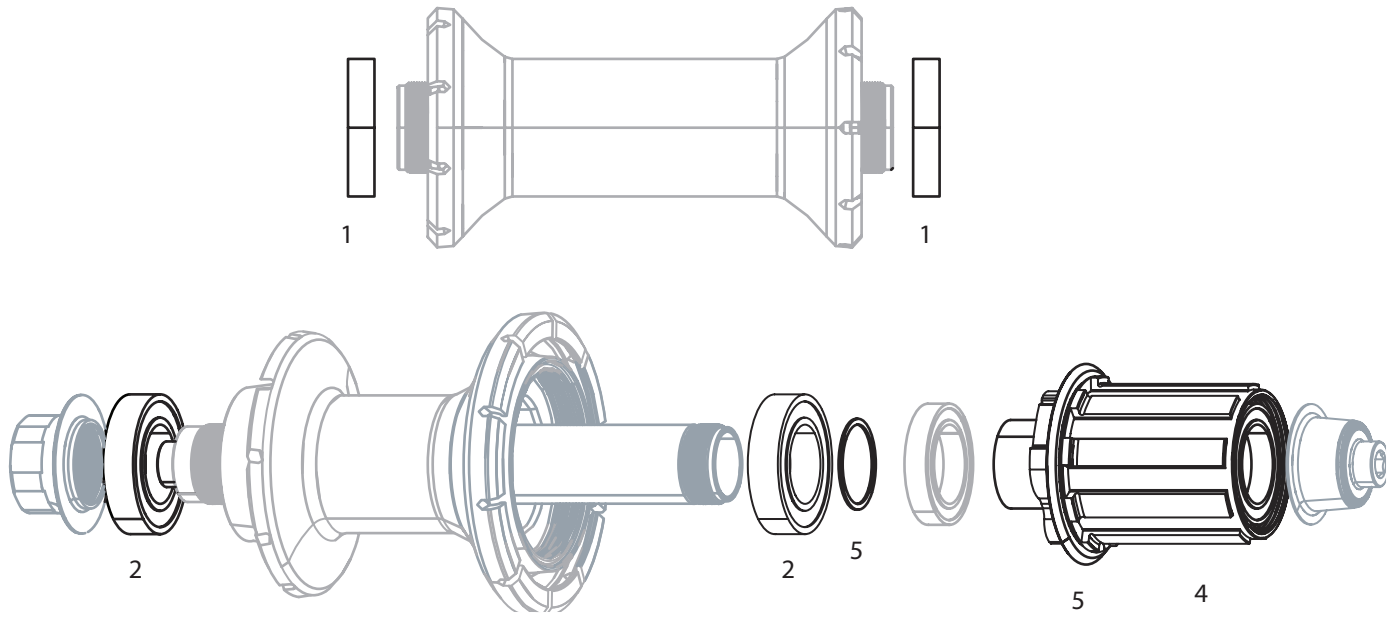
Return to  
Index

# 77/177 Disc brake



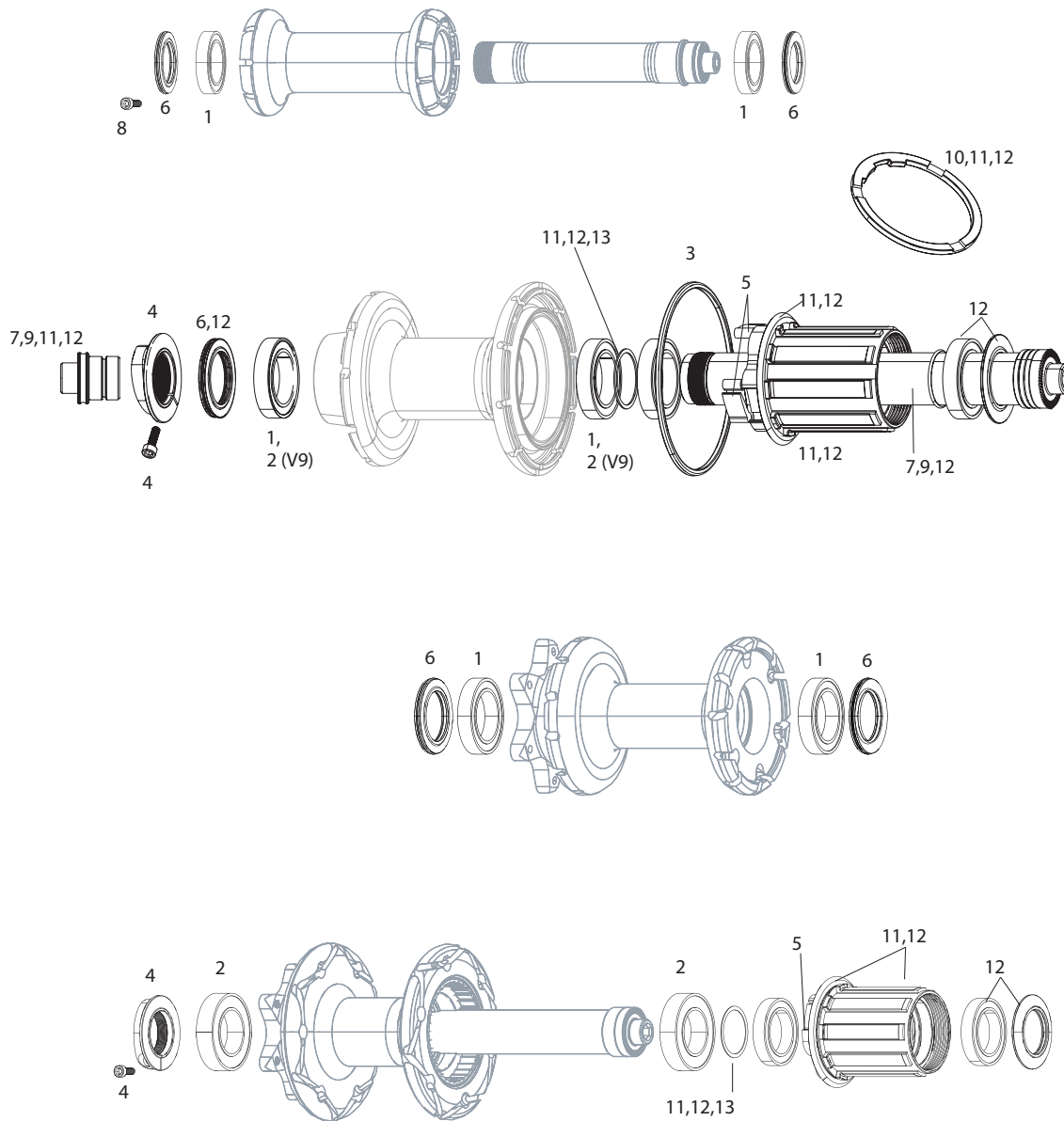
NO.	PART NUMBER	DESCRIPTION
1	11.2018.061.000	WHEEL FREEHUB KIT SS 176/177 11 SPEED SRAM
ns	11.2018.061.001	WHEEL FREEHUB KIT SS 176/177 11 SPEED CAMPAGNOLO
2	11.2018.062.000	WHEEL FREEHUB KIT SS 176/177 SRAM XDR
3	11.2018.061.003	WHEEL BEARING KIT FRONT/REAR 76/77 176/177 DISC, REAR 176/177 RIM, 61903 QTY 2
ns	11.1918.052.000	WHEEL SEAL AND SHIM FREEHUB BODY ZIPP 177 QTY 1
5	11.1918.053.001	WHEEL AXLE REAR ZIPP 177D DISC BRAKE (AXLE ONLY)
ns	11.2018.036.000	WHEEL SPRING AND PAWL SET FOR ZIPP 177 REAR HUB QTY 4
6	11.1918.046.000	WHEEL CONVERSION CAPS 77DISC FRONT 100/12MM THRU AXLE
6	11.1918.046.001	WHEEL CONVERSION CAPS 77DISC FRONT 100/15MM THRU AXLE
7	11.1918.046.003	WHEEL CONVERSION CAPS 177DISC REAR, 12X142 THROUGH AXLE
7	11.1918.046.005	WHEEL CONVERSION CAPS ZIPP 177DISC REAR 135/10MM RWS THRU BOLT
7	11.1918.048.000	WHEEL AXLE END CAP REAR ZIPP 177 DISC BRAKE REAR 11 SPEED QR (CAMPA, SRAM/SHIMANO, XDR)
ns	11.1918.047.000	WHEEL AXLE END CAP ZIPP 77DISC FRONT QUICK RELEASE

Return to  
Index



NO.	PART NUMBER	DESCRIPTION
1	11.1918.021.000	WHEEL BEARING KIT FRONT 30/60 6803/61803 QTY 2
1	00.1918.183.000	ZIPP CERAMICSPEED BEARING KIT - 61803 - ZIPP 30/60 88 FRONT HUB SHELL, 188 REAR HUB SHELL AND 30/60/S9 REAR FREE HUB BODY (INCLUDES BEARINGS AND ONE GREASE SYRINGE)
2	11.1918.021.001	WHEEL BEARING KIT REAR 30/60 6903/61903 QTY 2
2	00.1918.183.001	ZIPP CERAMICSPEED BEARING KIT - 61903 - ZIPP 30/60 REAR HUB SHELL (INCLUDES BEARINGS AND ONE GREASE SYRINGE)
4	11.1918.024.001	WHEEL FREEHUB BODY CAMPAGNOLO 30/60
5	11.1918.025.000	WHEEL FREEHUB BODY SEAL AND SPACER 30/60

# ZIPP HUBS - 88/188 V6 V7 V8 V9



NO.	PART NUMBER	DESCRIPTION
1	11.1915.028.000	WHEEL HUB BEARINGS FRONT OR REAR ZIPP 88/188 PAIR
1	00.1918.183.000	ZIPP CERAMICSPEED BEARING KIT - 61803 - ZIPP 30/60 88 FRONT HUB SHELL, 188 REAR HUB SHELL AND 30/60/S9 REAR FREE HUB BODY (INCLUDES BEARINGS AND ONE GREASE SYRINGE)
2	11.2018.024.000	WHEEL HUB BEARINGS REAR PAIR ZIPP 188 V9 (61903)
2	00.1918.183.001	ZIPP CERAMICSPEED BEARING KIT - 61903 - ZIPP 30/60 REAR HUB SHELL (INCLUDES BEARINGS AND ONE GREASE SYRINGE)
3	11.2018.001.002	WHEEL REINFORCE RING RADIAL SIDE BLACK REAR 188V7
4	11.2018.000.002	WHEEL CLINCH NUT AND SCREW THREADED BLACK REAR 188V7
5	11.1915.035.000	WHEEL SPRING AND PAWL SET FOR ZIPP 188 REAR HUB QTY 4
6	11.1915.036.000	WHEEL BEARING SHIELD FRONT OR REAR ZIPP 88/188 V6,V7,V8 (QTY 1)
7	11.2100.096.000	WHEEL AXLE FOR 188 SILVER REAR HUB BLACK 13MM INNER DIAMETER WITH BLACK END CAP (V6)
8	11.2015.036.000	WHEEL SCREW CLINCH NUT SET 88/188 M2.5X8
9	11.1918.010.000	WHEEL AXLE FOR 188 11 SPEED REAR HUB BLACK 13MM INNER DIAMETER WITH BLACK END CAP (V8, V9)
10	11.1918.008.000	WHEEL CASSETTE SPACER 10 SPEED 188 SRAM FREEHUB 11 SPEED - ZIPP 188/177/ SRAM 900 HUB
11	11.1918.007.000	WHEEL FREEHUB KIT 188 11 SPEED SRAM
11	11.1918.007.001	WHEEL FREEHUB KIT 188 11 SPEED CAMPAGNOLO
12	11.1918.009.000	WHEEL CONVERSION KIT 10 SPEED TO 11 SPEED 188 SRAM
13	11.1915.038.000	WHEEL FREEHUB BODY SPACER ZIPP 188 REAR QTY 2

Return to  
Index



## Zipp spokes overview

PART NUMBER DESCRIPTION

### Sapim CX-Ray J-Bend

11.1918.078.005	SPOKES & NIPPLES & WASHERS 3-PACK 214MM CX-RAY J-BEND EXTERNAL BLACK
11.1918.072.003	SPOKES & NIPPLES & WASHERS 3-PACK 226MM CX-RAY J-BEND EXTERNAL BLACK
11.1918.078.006	SPOKES & NIPPLES & WASHERS 3-PACK 228MM CX-RAY J-BEND EXTERNAL BLACK
11.1918.072.004	SPOKES & NIPPLES & WASHERS 3-PACK 230MM CX-RAY J-BEND EXTERNAL BLACK
11.1918.072.005	SPOKES & NIPPLES & WASHERS 3-PACK 232MM CX-RAY J-BEND EXTERNAL BLACK
11.1918.078.007	SPOKES & NIPPLES & WASHERS 3-PACK 238MM CX-RAY J-BEND EXTERNAL BLACK
11.1918.078.008	SPOKES & NIPPLES & WASHERS 3-PACK 240MM CX-RAY J-BEND EXTERNAL BLACK
11.1918.078.009	SPOKES & NIPPLES & WASHERS 3-PACK 242MM CX-RAY J-BEND EXTERNAL BLACK
11.1918.078.010	SPOKES & NIPPLES & WASHERS 3-PACK 244MM CX-RAY J-BEND EXTERNAL BLACK
11.1918.078.011	SPOKES & NIPPLES & WASHERS 3-PACK 246MM CX-RAY J-BEND EXTERNAL BLACK
11.1918.072.008	SPOKES & NIPPLES & WASHERS 3-PACK 248MM CX-RAY J-BEND EXTERNAL BLACK
11.1918.078.012	SPOKES & NIPPLES & WASHERS 3-PACK 250MM CX-RAY J-BEND EXTERNAL BLACK
11.1918.072.006	SPOKES & NIPPLES & WASHERS 3-PACK 252MM CX-RAY J-BEND EXTERNAL BLACK
11.1918.072.007	SPOKES & NIPPLES & WASHERS 3-PACK 254MM CX-RAY J-BEND EXTERNAL BLACK
11.1918.078.013	SPOKES & NIPPLES & WASHERS 3-PACK 256MM CX-RAY J-BEND EXTERNAL BLACK
11.1918.072.011	SPOKES & NIPPLES & WASHERS 3-PACK 260MM CX-RAY J-BEND EXTERNAL BLACK
11.1918.078.014	SPOKES & NIPPLES & WASHERS 3-PACK 262MM CX-RAY J-BEND EXTERNAL BLACK
11.1918.072.009	SPOKES & NIPPLES & WASHERS 3-PACK 264MM CX-RAY J-BEND EXTERNAL BLACK
11.1918.072.010	SPOKES & NIPPLES & WASHERS 3-PACK 266MM CX-RAY J-BEND EXTERNAL BLACK
11.1918.078.015	SPOKES & NIPPLES & WASHERS 3-PACK 268MM CX-RAY J-BEND EXTERNAL BLACK
11.1918.078.003	SPOKES & NIPPLES & WASHERS 3-PACK 270MM CX-RAY J-BEND EXTERNAL BLACK
11.1918.078.004	SPOKES & NIPPLES & WASHERS 3-PACK 272MM CX-RAY J-BEND EXTERNAL BLACK
11.1918.078.000	SPOKES & NIPPLES & WASHERS 3-PACK 274MM CX-RAY J-BEND EXTERNAL BLACK
11.1918.078.016	SPOKES & NIPPLES & WASHERS 3-PACK 276MM CX-RAY J-BEND EXTERNAL BLACK
11.1918.078.001	SPOKES & NIPPLES & WASHERS 3-PACK 278MM CX-RAY J-BEND EXTERNAL BLACK
11.1918.078.002	SPOKES & NIPPLES & WASHERS 3-PACK 280MM CX-RAY J-BEND EXTERNAL BLACK
11.1918.072.000	SPOKES & NIPPLES 3-PACK 226MM CX-RAY J-BEND EXTERNAL BLACK (INCLUDING 858DB SPECIFIC SPOKE NIPPLES)
11.1918.072.001	SPOKES & NIPPLES 3-PACK 230MM CX-RAY J-BEND EXTERNAL BLACK (INCLUDING 858DB SPECIFIC SPOKE NIPPLES)
11.1918.072.002	SPOKES & NIPPLES 3-PACK 232MM CX-RAY J-BEND EXTERNAL BLACK (INCLUDING 858DB SPECIFIC SPOKE NIPPLES)

### Sapim CX-Sprint J-Bend

11.1918.075.005	SPOKES & NIPPLES & WASHERS 3-PACK 220MM CX-SPRINT J-BEND EXTERNAL BLACK
11.1918.075.006	SPOKES & NIPPLES & WASHERS 3-PACK 224MM CX-SPRINT J-BEND EXTERNAL BLACK
11.1918.075.025	SPOKES & NIPPLES & WASHERS 3-PACK 226MM CX-SPRINT J-BEND EXTERNAL BLACK
11.1918.075.007	SPOKES & NIPPLES & WASHERS 3-PACK 228MM CX-SPRINT J-BEND EXTERNAL BLACK
11.1918.075.008	SPOKES & NIPPLES & WASHERS 3-PACK 230MM CX-SPRINT J-BEND EXTERNAL BLACK
11.1918.075.026	SPOKES & NIPPLES & WASHERS 3-PACK 232MM CX-SPRINT J-BEND EXTERNAL BLACK
11.1918.075.009	SPOKES & NIPPLES & WASHERS 3-PACK 242MM CX-SPRINT J-BEND EXTERNAL BLACK
11.1918.075.010	SPOKES & NIPPLES & WASHERS 3-PACK 244MM CX-SPRINT J-BEND EXTERNAL BLACK
11.1918.075.011	SPOKES & NIPPLES & WASHERS 3-PACK 246MM CX-SPRINT J-BEND EXTERNAL BLACK
11.1918.075.012	SPOKES & NIPPLES & WASHERS 3-PACK 248MM CX-SPRINT J-BEND EXTERNAL BLACK
11.1918.075.013	SPOKES & NIPPLES & WASHERS 3-PACK 252MM CX-SPRINT J-BEND EXTERNAL BLACK
11.1918.075.014	SPOKES & NIPPLES & WASHERS 3-PACK 254MM CX-SPRINT J-BEND EXTERNAL BLACK
11.1918.075.000	SPOKES & NIPPLES & WASHERS 3-PACK 256MM CX-SPRINT J-BEND EXTERNAL BLACK
11.1918.075.015	SPOKES & NIPPLES & WASHERS 3-PACK 260MM CX-SPRINT J-BEND EXTERNAL BLACK
11.1918.075.001	SPOKES & NIPPLES & WASHERS 3-PACK 262MM CX-SPRINT J-BEND EXTERNAL BLACK
11.1918.075.002	SPOKES & NIPPLES & WASHERS 3-PACK 264MM CX-SPRINT J-BEND EXTERNAL BLACK
11.1918.075.003	SPOKES & NIPPLES & WASHERS 3-PACK 266MM CX-SPRINT J-BEND EXTERNAL BLACK
11.1918.075.004	SPOKES & NIPPLES & WASHERS 3-PACK 268MM CX-SPRINT J-BEND EXTERNAL BLACK
11.1918.075.027	SPOKES & NIPPLES & WASHERS 3-PACK 272MM CX-SPRINT J-BEND EXTERNAL BLACK
11.1918.075.016	SPOKES & NIPPLES & WASHERS 3-PACK 274MM CX-SPRINT J-BEND EXTERNAL BLACK
11.1918.075.017	SPOKES & NIPPLES & WASHERS 3-PACK 278MM CX-SPRINT J-BEND EXTERNAL BLACK
11.1918.075.018	SPOKES & NIPPLES & WASHERS 3-PACK 280MM CX-SPRINT J-BEND EXTERNAL BLACK
11.1918.075.019	SPOKES & NIPPLES & WASHERS 3-PACK 282MM CX-SPRINT J-BEND EXTERNAL BLACK
11.1918.075.020	SPOKES & NIPPLES & WASHERS 3-PACK 284MM CX-SPRINT J-BEND EXTERNAL BLACK
11.1918.075.029	SPOKES & NIPPLES & WASHERS 3-PACK 286MM CX-SPRINT J-BEND EXTERNAL BLACK
11.1918.075.021	SPOKES & NIPPLES & WASHERS 3-PACK 298MM CX-SPRINT J-BEND EXTERNAL BLACK
11.1918.075.022	SPOKES & NIPPLES & WASHERS 3-PACK 300MM CX-SPRINT J-BEND EXTERNAL BLACK
11.1918.075.023	SPOKES & NIPPLES & WASHERS 3-PACK 302MM CX-SPRINT J-BEND EXTERNAL BLACK
11.1918.075.024	SPOKES & NIPPLES & WASHERS 3-PACK 304MM CX-SPRINT J-BEND EXTERNAL BLACK





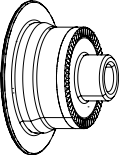
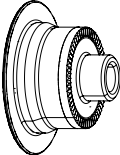
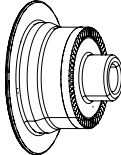
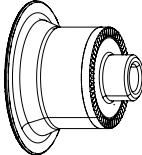
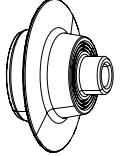
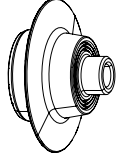
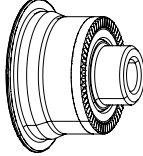
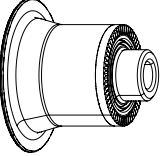
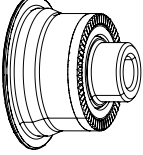
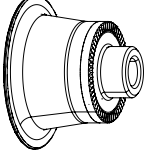
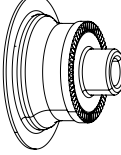
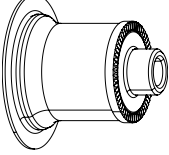
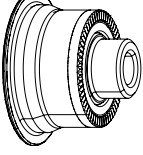
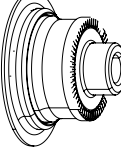
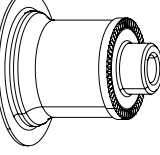
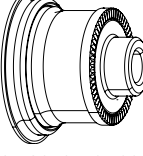
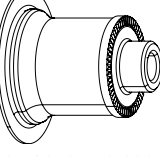
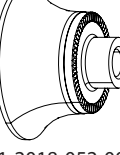
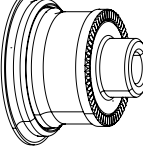
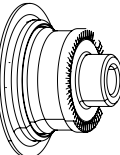
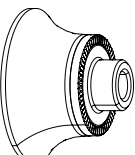
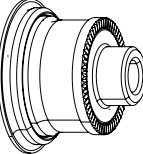
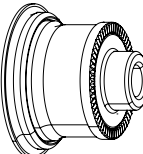
## Zipp spokes overview

PART NUMBER	DESCRIPTION
<b>Sapim D-Light J-Bend</b>	
11.1918.080.000	SPOKES & NIPPLES & WASHERS 3-PACK 280MM D-LIGHT J-BEND EXTERNAL BLACK (3ZERO MOTO 27.5 REAR DS)
11.1918.080.001	SPOKES & NIPPLES & WASHERS 3-PACK 282MM D-LIGHT J-BEND EXTERNAL BLACK (3ZERO MOTO 27.5 FRONT NDS AND REAR NDS)
11.1918.080.002	SPOKES & NIPPLES & WASHERS 3-PACK 284MM D-LIGHT J-BEND EXTERNAL BLACK (3ZERO MOTO 27.5 FRONT DS)
11.1918.080.003	SPOKES & NIPPLES & WASHERS 3-PACK 300MM D-LIGHT J-BEND EXTERNAL BLACK (3ZERO MOTO 29 FRONT NDS AND REAR DS)
11.1918.080.004	SPOKES & NIPPLES & WASHERS 3-PACK 302MM D-LIGHT J-BEND EXTERNAL BLACK (3ZERO MOTO 29 FRONT DS AND REAR NDS)
11.1918.080.005	SPOKES & NIPPLES & WASHERS 3-PACK 298MM D-LIGHT J-BEND EXTERNAL BLACK
<b>Sapim CX-Sprint Straight</b>	
11.1918.063.000	SPOKES & NIPPLES & WASHERS 3-PACK 226MM CX-SPRINT STRAIGHT-PULL HEXAGONAL SECURE LOCK BLACK OXIDE
11.1918.063.100	SPOKES & NIPPLES & WASHERS 3-PACK 234MM CX-SPRINT STRAIGHT-PULL HEXAGONAL SECURE LOCK BLACK OXIDE
11.1918.063.020	SPOKES & NIPPLES & WASHERS 3-PACK 248MM CX-SPRINT STRAIGHT-PULL HEXAGONAL SECURE LOCK BLACK OXIDE
11.1918.063.040	SPOKES & NIPPLES & WASHERS 3-PACK 260MM CX-SPRINT STRAIGHT-PULL HEXAGONAL SECURE LOCK BLACK OXIDE
11.1918.063.060	SPOKES & NIPPLES & WASHERS 3-PACK 272MM CX-SPRINT STRAIGHT-PULL HEXAGONAL SECURE LOCK BLACK OXIDE
11.1918.063.070	SPOKES & NIPPLES & WASHERS 3-PACK 274MM CX-SPRINT STRAIGHT-PULL HEXAGONAL SECURE LOCK BLACK OXIDE
11.1918.063.080	SPOKES & NIPPLES & WASHERS 3-PACK 284MM CX-SPRINT STRAIGHT-PULL HEXAGONAL SECURE LOCK BLACK OXIDE
11.1918.063.010	SPOKES & NIPPLES & TITANIUM WASHERS 3-PACK 236MM CX-SPRINT STRAIGHT-PULL HEXAGONAL SECURE LOCK BLACK OXIDE
11.1918.063.030	SPOKES & NIPPLES & TITANIUM WASHERS 3-PACK 258MM CX-SPRINT STRAIGHT-PULL HEXAGONAL SECURE LOCK BLACK OXIDE
11.1918.063.050	SPOKES & NIPPLES & TITANIUM WASHERS 3-PACK 270MM CX-SPRINT STRAIGHT-PULL HEXAGONAL SECURE LOCK BLACK OXIDE
<b>Sapim CX-Ray Straight</b>	
11.1915.080.140	SPOKES & NIPPLES & TITANIUM WASHERS 3-PACK 210MM CX-RAY STRAIGHT-PULL HEXAGONAL SECURE LOCK BLACK OXIDE
11.1915.080.000	SPOKES & NIPPLES & TITANIUM WASHERS 3-PACK 222MM CX-RAY STRAIGHT-PULL HEXAGONAL SECURE LOCK BLACK OXIDE
11.1915.080.010	SPOKES & NIPPLES & TITANIUM WASHERS 3-PACK 224MM CX-RAY STRAIGHT-PULL HEXAGONAL SECURE LOCK BLACK OXIDE
11.1915.080.160	SPOKES & NIPPLES & TITANIUM WASHERS 3-PACK 232MM CX-RAY STRAIGHT-PULL HEXAGONAL SECURE LOCK BLACK OXIDE
11.1915.080.030	SPOKES & NIPPLES & TITANIUM WASHERS 3-PACK 234MM CX-RAY STRAIGHT-PULL HEXAGONAL SECURE LOCK BLACK OXIDE
11.1915.080.170	SPOKES & NIPPLES & TITANIUM WASHERS 3-PACK 236MM CX-RAY STRAIGHT-PULL HEXAGONAL SECURE LOCK BLACK OXIDE
11.1915.080.040	SPOKES & NIPPLES & TITANIUM WASHERS 3-PACK 244MM CX-RAY STRAIGHT-PULL HEXAGONAL SECURE LOCK BLACK OXIDE
11.1915.080.050	SPOKES & NIPPLES & TITANIUM WASHERS 3-PACK 246MM CX-RAY STRAIGHT-PULL HEXAGONAL SECURE LOCK BLACK OXIDE
11.1915.080.060	SPOKES & NIPPLES & TITANIUM WASHERS 3-PACK 248MM CX-RAY STRAIGHT-PULL HEXAGONAL SECURE LOCK BLACK OXIDE
11.1915.080.180	SPOKES & NIPPLES & TITANIUM WASHERS 3-PACK 250MM CX-RAY STRAIGHT-PULL HEXAGONAL SECURE LOCK BLACK OXIDE
11.1915.080.300	SPOKES & NIPPLES & TITANIUM WASHERS 3-PACK 252MM CX-RAY STRAIGHT-PULL HEXAGONAL SECURE LOCK BLACK OXIDE
11.1915.080.240	SPOKES & NIPPLES & TITANIUM WASHERS 3-PACK 256MM CX-RAY STRAIGHT-PULL HEXAGONAL SECURE LOCK BLACK OXIDE
11.1915.080.070	SPOKES & NIPPLES & TITANIUM WASHERS 3-PACK 258MM CX-RAY STRAIGHT-PULL HEXAGONAL SECURE LOCK BLACK OXIDE
11.1915.080.080	SPOKES & NIPPLES & TITANIUM WASHERS 3-PACK 260MM CX-RAY STRAIGHT-PULL HEXAGONAL SECURE LOCK BLACK OXIDE
11.1915.080.090	SPOKES & NIPPLES & TITANIUM WASHERS 3-PACK 262MM CX-RAY STRAIGHT-PULL HEXAGONAL SECURE LOCK BLACK OXIDE
11.1915.080.250	SPOKES & NIPPLES & TITANIUM WASHERS 3-PACK 264MM CX-RAY STRAIGHT-PULL HEXAGONAL SECURE LOCK BLACK OXIDE
11.1915.080.310	SPOKES & NIPPLES & TITANIUM WASHERS 3-PACK 266MM CX-RAY STRAIGHT-PULL HEXAGONAL SECURE LOCK BLACK OXIDE
11.1915.080.381	SPOKES & NIPPLES & TITANIUM WASHERS 3-PACK 268MM CX-RAY STRAIGHT-PULL HEXAGONAL SECURE LOCK BLACK OXIDE
11.1915.080.150	SPOKES & NIPPLES & TITANIUM WASHERS 3-PACK 270MM CX-RAY STRAIGHT-PULL HEXAGONAL SECURE LOCK BLACK OXIDE
11.1915.080.100	SPOKES & NIPPLES & TITANIUM WASHERS 3-PACK 272MM CX-RAY STRAIGHT-PULL HEXAGONAL SECURE LOCK BLACK OXIDE
11.1915.080.190	SPOKES & NIPPLES & TITANIUM WASHERS 3-PACK 274MM CX-RAY STRAIGHT-PULL HEXAGONAL SECURE LOCK BLACK OXIDE
11.1915.080.110	SPOKES & NIPPLES & TITANIUM WASHERS 3-PACK 276MM CX-RAY STRAIGHT-PULL HEXAGONAL SECURE LOCK BLACK OXIDE
11.1915.080.320	SPOKES & NIPPLES & TITANIUM WASHERS 3-PACK 278MM CX-RAY STRAIGHT-PULL HEXAGONAL SECURE LOCK BLACK OXIDE
11.1915.080.340	SPOKES & NIPPLES & TITANIUM WASHERS 3-PACK 280MM CX-RAY STRAIGHT-PULL HEXAGONAL SECURE LOCK BLACK OXIDE
11.1915.080.330	SPOKES & NIPPLES & TITANIUM WASHERS 3-PACK 282MM CX-RAY STRAIGHT-PULL HEXAGONAL SECURE LOCK BLACK OXIDE
11.1915.080.350	SPOKES & NIPPLES & TITANIUM WASHERS 3-PACK 284MM CX-RAY STRAIGHT-PULL HEXAGONAL SECURE LOCK BLACK OXIDE
11.1915.080.360	SPOKES & NIPPLES & TITANIUM WASHERS 3-PACK 290MM CX-RAY STRAIGHT-PULL HEXAGONAL SECURE LOCK BLACK OXIDE
11.1915.080.380	SPOKES & NIPPLES & TITANIUM WASHERS 3-PACK 292MM CX-RAY STRAIGHT-PULL HEXAGONAL SECURE LOCK BLACK OXIDE
<b>Nipples and washers</b>	
11.1918.082.000	SPOKE NIPPLE WASHERS SAPIM NRHM 34-PACK FOR MOTO 3ZERO AND 101XPLR WHEELS
11.1915.026.020	SPOKE NIPPLE WASHERS OVAL 50-PACK FOR FIRECREST WHEELS
11.1915.026.060	SPOKE NIPPLE WASHERS ROUND TITANIUM 25-PACK FOR 202 CARBON CLINCHER FIRECREST AND 454 WHEELS
11.1915.026.070	SPOKE NIPPLES EXTERNAL HEXAGONAL SECURE LOCK ALUMINUM BLACK 20-PACK 2.0 X 14
11.1918.076.000	SPOKE NIPPLES EXTERNAL HEXAGONAL SECURE LOCK BRASS BLACK 14MM 12CNM V2 QTY 24



# Conversion & end caps

9mm (QR) page 1 of 2

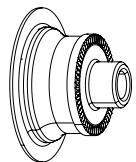
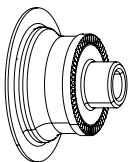
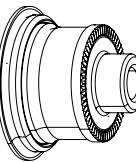
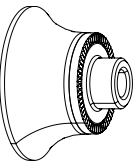
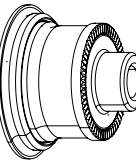
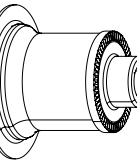
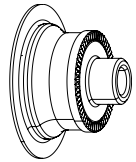
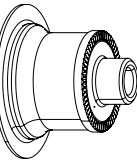
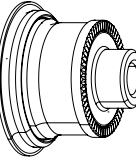
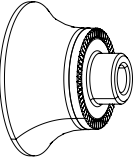
	drive side	non drive side		drive side	non drive side
11.1918.047.000 END CAP 77DISC FRONT QUICK RELEASE	 91-2018-064-000	 91-2018-064-000	11.2018.045.000 END CAP SET FRONT 76 CENTER LOCKING DISC BRAKE QUICK RELEASE	 91-2018-064-000	 91-2018-064-040
11.1918.047.001 END CAP 76/77 FRONT QUICK RELEASE	 91-2018-066-000	 91-2018-066-000	11.2018.045.010 END CAP SET REAR 176 CENTER LOCKING DISC BRAKE QUICK RELEASE	 91-2018-064-010	 91-2018-064-050
11.1918.048.000 END CAP REAR 177 DISC BRAKE REAR 11 SPEED QR (CAMPA, SRAM/SHIMANO, XDR)	 91-2018-064-010	 91-2018-064-030	11.2018.048.000 END CAP SET FRONT COGNITION CENTER LOCKING DISC BRAKE QUICK RELEASE	 91-2018-149-000	 91-2018-150-010
11.1918.048.001 END CAP REAR 176/177 RIM BRAKE REAR 11-SPEED QR (CAMPA, SRAM/SHIMANO, XDR)	 91-2018-064-010	 91-2018-064-020	11.2018.048.010 END CAP SET REAR COGNITION CENTER LOCKING DISC BRAKE QUICK RELEASE SRAM	 91-2018-081-000	 91-2018-150-000
11.2018.033.000 END CAP ASSEMBLY FRONT COGNITION NSW HUB	 91-2018-122-000	 91-2018-122-000	11.2018.048.020 END CAP SET REAR COGNITION CENTER LOCKING QUICK RELEASE CAMPY DISC BRAKE / RIM BRAKE GENERATION 2	 91-2018-161-000	 91-2018-150-000
11.2018.033.001 END CAP ASSEMBLY NON DRIVE REAR COGNITION NSW	not included	 91-2018-052-000	11.2018.048.030 END CAP SET REAR COGNITION CENTER LOCKING DISC BRAKE QUICK RELEASE XDR	 91-2018-127-000	 91-2018-150-000
11.2018.033.002 END CAP ASSEMBLY DRIVE SIDE REAR COGNITION NSW SRAM	 91-2018-081-000	not included	11.2018.057.000 END CAP ASSEMBLY NON DRIVE REAR COGNITION NSW GENERATION 2	not included	 91-2018-178-000
11.2018.033.003 END CAP ASSEMBLY DRIVE SIDE REAR COGNITION NSW XDR/CAMPAGNOLO GENERATION 1 AND XDR GENERATION 2	 91-2018-127-000	not included	11.2018.058.000 END CAP REAR DRIVE SIDE ONLY - QR COGNITION NSW AND ZR1 (FOR CAMPAGNOLO DRIVERS)	 91-2018-161-000	not included

A complete overview with the correct end caps for your hub configuration can be found on:

[www.sram.com/globalassets/document-hierarchy/compatibility-map/zip/zipp-end-cap-compatibility-chart.pdf](http://www.sram.com/globalassets/document-hierarchy/compatibility-map/zip/zipp-end-cap-compatibility-chart.pdf)

# Conversion & end caps

9mm (QR) page 2 of 2

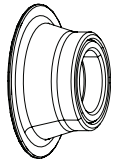
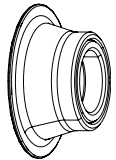
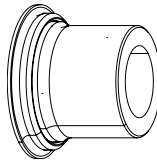
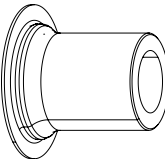
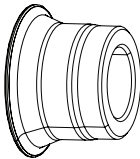
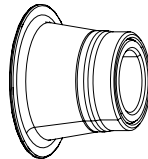
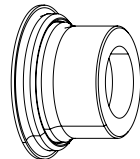
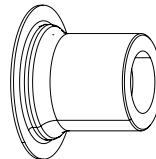
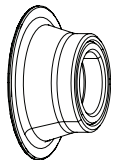
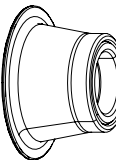
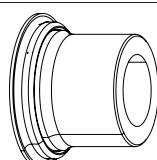
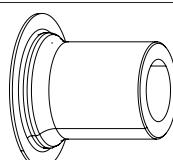
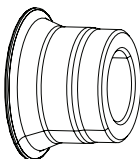
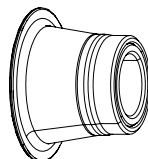
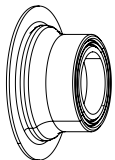
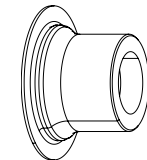
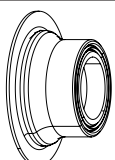
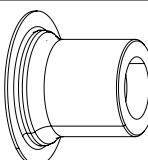
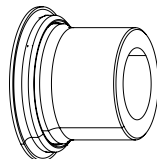
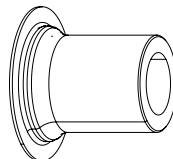
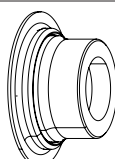
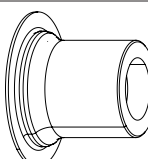
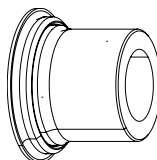
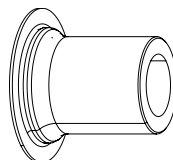
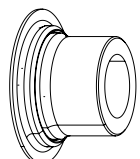
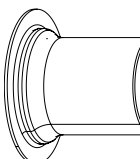
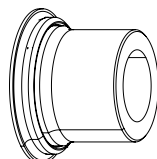
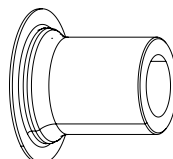
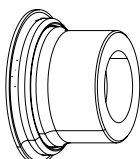
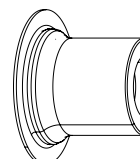
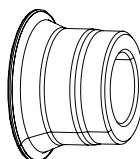
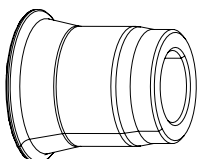
	drive side	non drive side
<p>11.2018.064.004</p> <p>END CAP SET FRONT - RIM BRAKE QR - ZR1 HUBS</p>	 <p>91-2018-252-000</p>	 <p>91-2018-252-000</p>
<p>11.2018.064.006</p> <p>END CAP SET REAR - QR RB - XDR AND 11 SPEED - ZR1 HUBS</p>	 <p>91-2018-127-000</p>	 <p>91-2018-249-000</p>
<p>11.2018.064.015</p> <p>END CAP SET REAR - QR CENTERLOCK DISC - ZR1 HUBS</p>	 <p>91-2018-127-000</p>	 <p>91-2018-269-000</p>
<p>11.2018.064.016</p> <p>END CAP SET FRONT - QR CENTERLOCK DISC - ZR1 HUBS</p>	 <p>91-2018-252-000</p>	 <p>91-2018-270-000</p>
<p>11.2018.065.008</p> <p>END CAP SET REAR COGNITION V2 RIM BRAKE QUICK RELEASE</p>	 <p>91-2018-127-000</p>	 <p>91-2018-178-000</p>

A complete overview with the correct end caps for your hub configuration can be found on:

[www.sram.com/globalassets/document-hierarchy/compatibility-map/zipp/zipp-end-cap-compatibility-chart.pdf](http://www.sram.com/globalassets/document-hierarchy/compatibility-map/zipp/zipp-end-cap-compatibility-chart.pdf)

# Conversion & end caps

12mm page 1 of 2

	drive side	non drive side		drive side	non drive side
11.1918.046.000 CONVERSION CAPS 77DISC FRONT 100/12MM THRU AXLE	 91.2018.065.040	 91.2018.065.040	11.2018.049.040 END CAP SET REAR COGNITION CENTER LOCKING DISC BRAKE THRU AXLE 12X142 CAMPY	 91-2018-151-050	 91-2018-154-010
11.1918.046.003 CONVERSION CAPS 177DISC REAR, 12X142 THROUGH AXLE	 91-2018-065-010	 91.2018.065.020	11.2018.049.050 END CAP SET REAR COGNITION CENTER LOCKING DISC BRAKE THRU AXLE 12X135 XDR	 91-2018-151-020	 91-2018-154-000
11.2018.046.000 END CAP SET FRONT 76 CENTER LOCK- ING DISC BRAKE THRU AXLE 12X100	 91.2018.065.040	 91-2018-065-070	11.2018.049.060 END CAP SET REAR COGNITION CENTER LOCKING DISC BRAKE THRU AXLE 12X142 XDR	 91-2018-151-030	 91-2018-154-010
11.2018.046.010 END CAP SET REAR 176 CENTER LOCK- ING DISC BRAKE THRU AXLE 12X142	 91-2018-065-010	 91-2018-065-090	11.2018.064.003 END CAP SET FRONT - DISC - 12x100 - ZR1 HUBS	 91-2018-165-000	 91-2018-267-000
11.2018.049.000 END CAP SET FRONT COGNITION CENTER LOCKING DISC BRAKE THRU AXLE 12X100	 91-2018-165-000	 91-2018-154-000	11.2018.064.005 END CAP SET REAR - 12X142 - XDR AND 11 SPEED - ZR1 HUBS	 91-2018-151-030	 91-2018-251-000
11.2018.049.010 END CAP SET REAR COGNITION CENTER LOCKING DISC BRAKE THRU AXLE 12X135 SRAM	 91-2018-151-000	 91-2018-154-000	11.2018.064.019 END CAP SET REAR - 12X142 - CAMPAG- NOLO - ZR1 HUBS	 91-2018-151-050	 91-2018-251-000
11.2018.049.020 END CAP SET REAR COGNITION CENTER LOCKING DISC BRAKE THRU AXLE 12X142 SRAM	 91-2018-151-010	 91-2018-154-010	11.2018.065.007 END CAP SET REAR COGNITION V2 DISC BRAKE / RIM BRAKE COMPATIBLE WITH XDR AND 11-SPD	 91-2018-151-030	 91-2018-154-010
11.2018.049.030 END CAP SET REAR COGNITION CENTER LOCKING DISC BRAKE THRU AXLE 12X135 CAMPY	 91-2018-151-040	 91-2018-154-000	11.2018.066.000 END CAP SET REAR SUPER 9 DISC BRAKE 12X142 THRU-AXLE	 91-2018-065-010	 91-2018-140-000

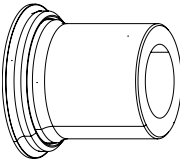
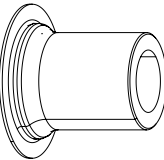
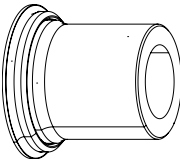
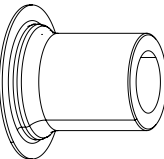
Return to  
Index

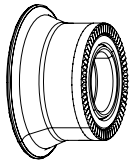
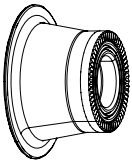
A complete overview with the correct end caps for your hub configuration can be found on:

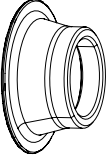
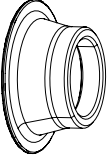
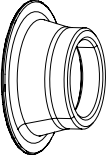
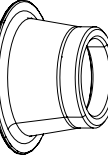
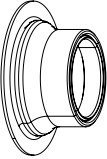
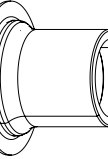
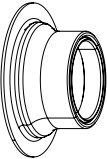
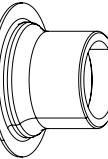
[www.sram.com/globalassets/document-hierarchy/compatibility-map/zip/zipp-end-cap-compatibility-chart.pdf](http://www.sram.com/globalassets/document-hierarchy/compatibility-map/zip/zipp-end-cap-compatibility-chart.pdf)



# Conversion & end caps

12mm page 2 of 2	drive side	non drive side
<p>11.2018.069.001</p> <p>END CAP SET REAR COGNITION DISC BRAKE N3W CAMPAGNOLO (151-060 &amp; 154-010)</p>	 <p>91-2018-151-060</p>	 <p>91-2018-154-010</p>
<p>11.2018.069.000</p> <p>END CAP SET REAR ZR1 DISC BRAKE N3W CAMPAGNOLO (151-060 &amp; 251-000)</p>	 <p>91-2018-151-060</p>	 <p>91-2018-251-000</p>

10mm	drive side	non drive side
<p>11.1918.046.005</p> <p>CONVERSION CAPS 177DISC REAR 135/10MM RWS THRU BOLT</p>	 <p>91-2018-090-010</p>	 <p>91-2018-090-020</p>

15mm	drive side	non drive side
<p>11.1918.046.001</p> <p>CONVERSION CAPS 77DISC FRONT 100/15MM THRU AXLE</p>	 <p>91-2018-065-000</p>	 <p>91-2018-065-000</p>
<p>11.2018.047.000</p> <p>END CAP SET FRONT 76 CENTER LOCKING DISC BRAKE THRU AXLE 15X100</p>	 <p>91-2018-065-000</p>	 <p>91-2018-065-080</p>
<p>11.2018.050.000</p> <p>END CAP SET FRONT COGNITION CENTER LOCKING DISC BRAKE THRU AXLE 15X100</p>	 <p>91-2018-165-010</p>	 <p>91-2018-154-020</p>
<p>11.2018.064.018</p> <p>END CAP SET FRONT - 15X100 - ZR1 HUBS</p>	 <p>91-2018-165-010</p>	 <p>91-2018-274-000</p>

Return to  
Index

A complete overview with the correct end caps for your hub configuration can be found on:

[www.sram.com/globalassets/document-hierarchy/compatibility-map/zip/zip-end-cap-compatibility-chart.pdf](http://www.sram.com/globalassets/document-hierarchy/compatibility-map/zip/zip-end-cap-compatibility-chart.pdf)

## Decals

### Wheel decal kits (all models till 2019)

(All kits come with 7 rim sidewall decals and 1 valve sticker)

11.1918.067.001	WHEEL DECAL KIT 202 DISC BLACK SINGLE RIM +1 EXTRA DECAL
11.1918.067.000	WHEEL DECAL KIT 202 DISC WHITE SINGLE RIM +1 EXTRA DECAL
11.1918.015.000	WHEEL DECAL SET 202 MATTE BLACK/NO BORDER ZIPP LOGO COMPLETE FOR ONE WHEEL
11.1918.030.000	WHEEL DECAL SET 202 MATTE WHITE/NO BORDER ZIPP LOGO COMPLETE FOR ONE WHEEL
11.1918.068.002	WHEEL DECAL KIT 302 DISC BLACK SINGLE RIM +1 EXTRA DECAL
11.1918.068.000	WHEEL DECAL KIT 302 DISC WHITE SINGLE RIM +1 EXTRA DECAL
11.1918.068.003	WHEEL DECAL KIT 302 RIM BLACK SINGLE RIM +1 EXTRA DECAL
11.1918.068.001	WHEEL DECAL KIT 302 RIM WHITE SINGLE RIM +1 EXTRA DECAL
11.1918.069.008	WHEEL DECAL KIT 303 650B DISC BLACK SINGLE RIM +1 EXTRA DECAL
11.1918.069.007	WHEEL DECAL KIT 303 650B DISC WHITE SINGLE RIM +1 EXTRA DECAL
11.1918.015.001	WHEEL DECAL SET 303 MATTE BLACK/NO BORDER ZIPP LOGO COMPLETE FOR ONE WHEEL
11.1918.030.001	WHEEL DECAL SET 303 MATTE WHITE/NO BORDER ZIPP LOGO COMPLETE FOR ONE WHEEL
11.1918.074.001	WHEEL DECAL KIT 303 B1 BLACK SINGLE RIM +1 EXTRA DECAL
11.1918.074.000	WHEEL DECAL KIT 303 B1 WHITE SINGLE RIM +1 EXTRA DECAL
11.1918.069.001	WHEEL DECAL KIT 303 DISC BLACK SINGLE RIM +1 EXTRA DECAL
11.1918.069.000	WHEEL DECAL KIT 303 DISC WHITE SINGLE RIM +1 EXTRA DECAL
11.1918.015.002	WHEEL DECAL SET 404 MATTE BLACK/NO BORDER ZIPP LOGO COMPLETE FOR ONE WHEEL
11.1918.030.002	WHEEL DECAL SET 404 MATTE WHITE/NO BORDER ZIPP LOGO COMPLETE FOR ONE WHEEL
11.1918.074.003	WHEEL DECAL KIT 404 B1 BLACK SINGLE RIM +1 EXTRA DECAL
11.1918.074.002	WHEEL DECAL KIT 404 B1 WHITE SINGLE RIM +1 EXTRA DECAL
11.1918.070.001	WHEEL DECAL KIT 404 DISC BLACK SINGLE RIM +1 EXTRA DECAL
11.1918.079.000	WHEEL DECAL KIT 404 DISC CHROME SINGLE RIM +1 EXTRA DECAL
11.1918.070.000	WHEEL DECAL KIT 404 DISC WHITE SINGLE RIM +1 EXTRA DECAL
11.1918.015.003	WHEEL DECAL SET 808 MATTE BLACK/NO BORDER ZIPP LOGO COMPLETE FOR ONE WHEEL OR DISC
11.1918.030.003	WHEEL DECAL SET 808 MATTE WHITE/NO BORDER ZIPP LOGO COMPLETE FOR ONE WHEEL OR DISC
11.1918.074.005	WHEEL DECAL KIT 808 B1 BLACK SINGLE RIM +1 EXTRA DECAL
11.1918.074.004	WHEEL DECAL KIT 808 B1 WHITE SINGLE RIM +1 EXTRA DECAL
11.1918.071.001	WHEEL DECAL KIT 808 DISC BLACK SINGLE RIM +1 EXTRA DECAL
11.1918.071.000	WHEEL DECAL KIT 808 DISC WHITE SINGLE RIM +1 EXTRA DECAL

### "Wrap around" Zipp brand decals kits (>2020)

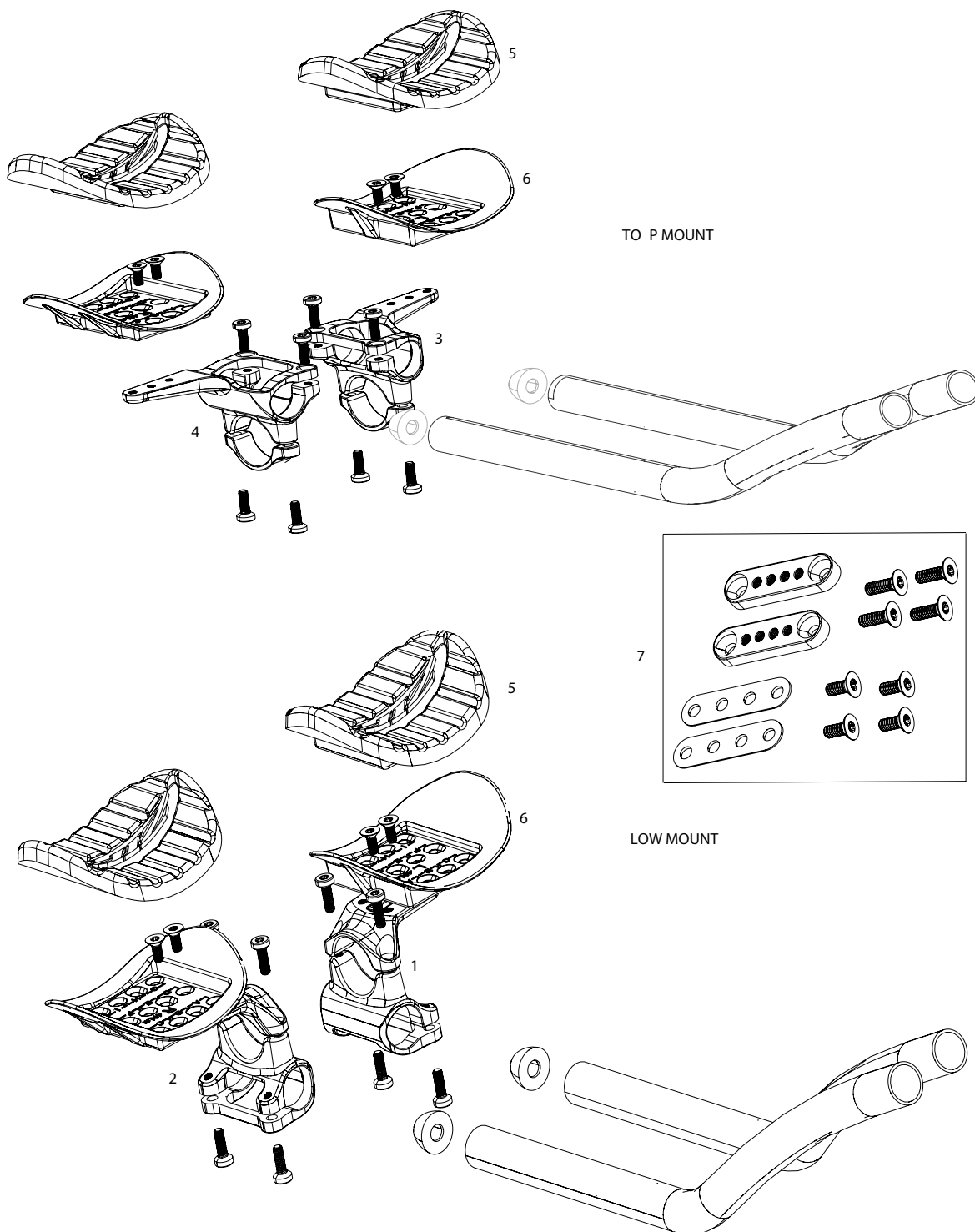
11.1918.083.000	WHEEL DECAL KIT ZIPP 202 DISC BRAKE SINGLE RIM 2020 GRAPHICS
11.1918.083.005	WHEEL DECAL KIT ZIPP 303 650B DISC BRAKE SINGLE RIM 2020 GRAPHICS
11.1918.083.001	WHEEL DECAL KIT ZIPP 303 DISC BRAKE SINGLE RIM 2020 GRAPHICS
11.1918.083.002	WHEEL DECAL KIT ZIPP 303 RIM BRAKE SINGLE RIM 2020 GRAPHICS
11.1918.083.003	WHEEL DECAL KIT ZIPP 404 DISC & RIM BRAKE SINGLE RIM 2020 GRAPHICS
11.1918.083.004	WHEEL DECAL KIT ZIPP 808 DISC & RIM BRAKE SINGLE RIM 2020 GRAPHICS

### Moto rims

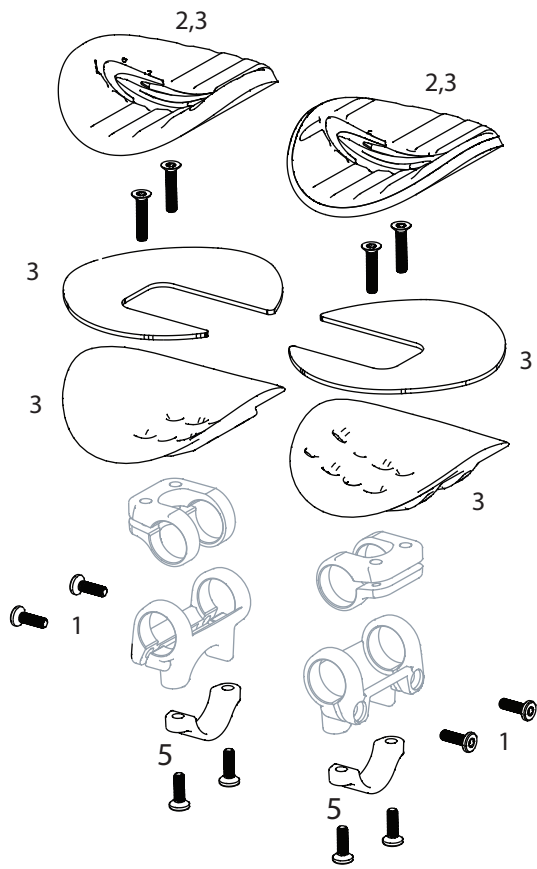
11.1918.081.011	WHEEL DECAL KIT 101 XPLR 650B KWIQSAND SINGLE RIM
11.1918.081.010	WHEEL DECAL KIT 101 XPLR 650B SLATE SINGLE RIM
11.1918.081.009	WHEEL DECAL KIT 101 XPLR 700C KWIQSAND SINGLE RIM
11.1918.081.008	WHEEL DECAL KIT 101 XPLR 700C SLATE SINGLE RIM
11.1918.081.001	WHEEL DECAL KIT 3ZERO 27 MOTO SILVER SINGLE RIM
11.1918.081.000	WHEEL DECAL KIT 3ZERO 27 MOTO SLATE SINGLE RIM
11.1918.081.003	WHEEL DECAL KIT 3ZERO 29 MOTO SILVER SINGLE RIM
11.1918.081.002	WHEEL DECAL KIT 3ZERO 29 MOTO SLATE SINGLE RIM



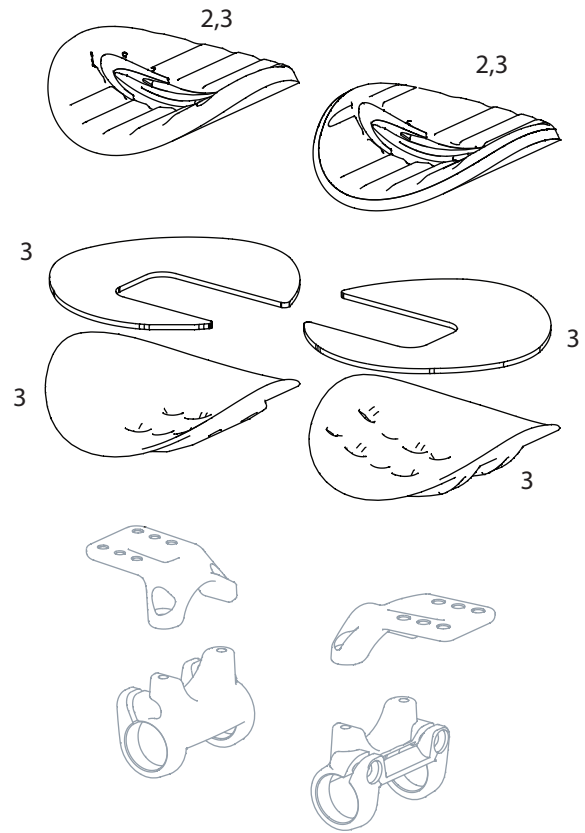
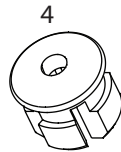




NO.	PART NUMBER	DESCRIPTION
1	11.6618.024.000	HANDLEBAR VUKA CLIP B1 LOW MOUNT ASSEMBLY LEFT WITH BOLTS
2	11.6618.024.010	HANDLEBAR VUKA CLIP B1 LOW MOUNT ASSEMBLY RIGHT WITH BOLTS
3	11.6618.025.000	HANDLEBAR VUKA CLIP B1 TOP MOUNT ASSEMBLY LEFT WITH BOLTS
4	11.6618.025.010	HANDLEBAR VUKA CLIP B1 TOP MOUNT ASSEMBLY RIGHT WITH BOLTS
5	11.6618.026.000	HANDLEBAR VUKA CLIP B1 PAD KIT
6	11.6618.027.000	HANDLEBAR VUKA CLIP B1 ARMREST KIT WITH BOLTS
7	11.6618.030.000	HANDLEBAR VUKA CLIP B1 HIGH MOUNT ANGLE WEDGE KIT (5, 10 AND 15 DEGREE AND BOLTS)



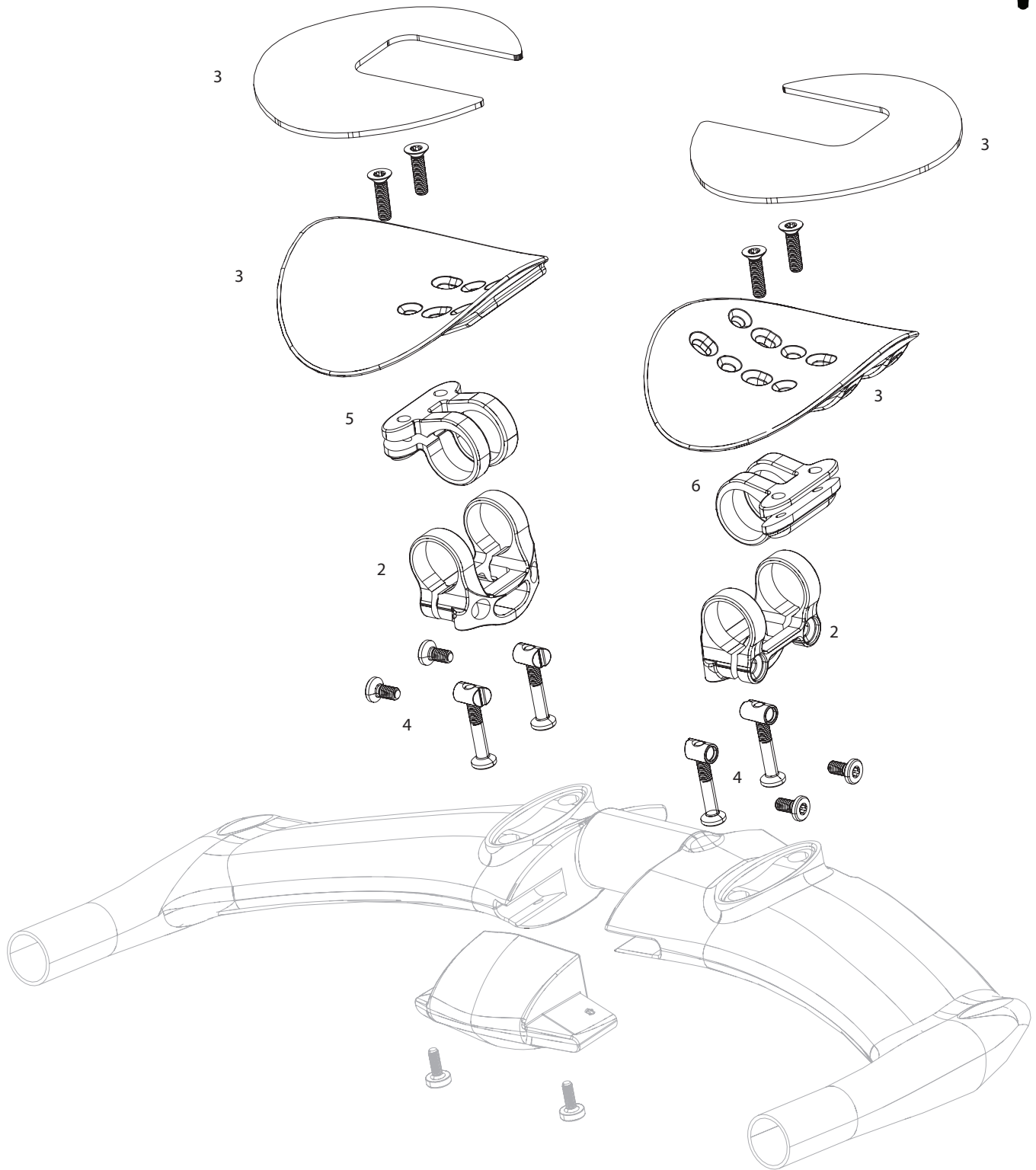
Top Mount Clip



Low Mount Clip

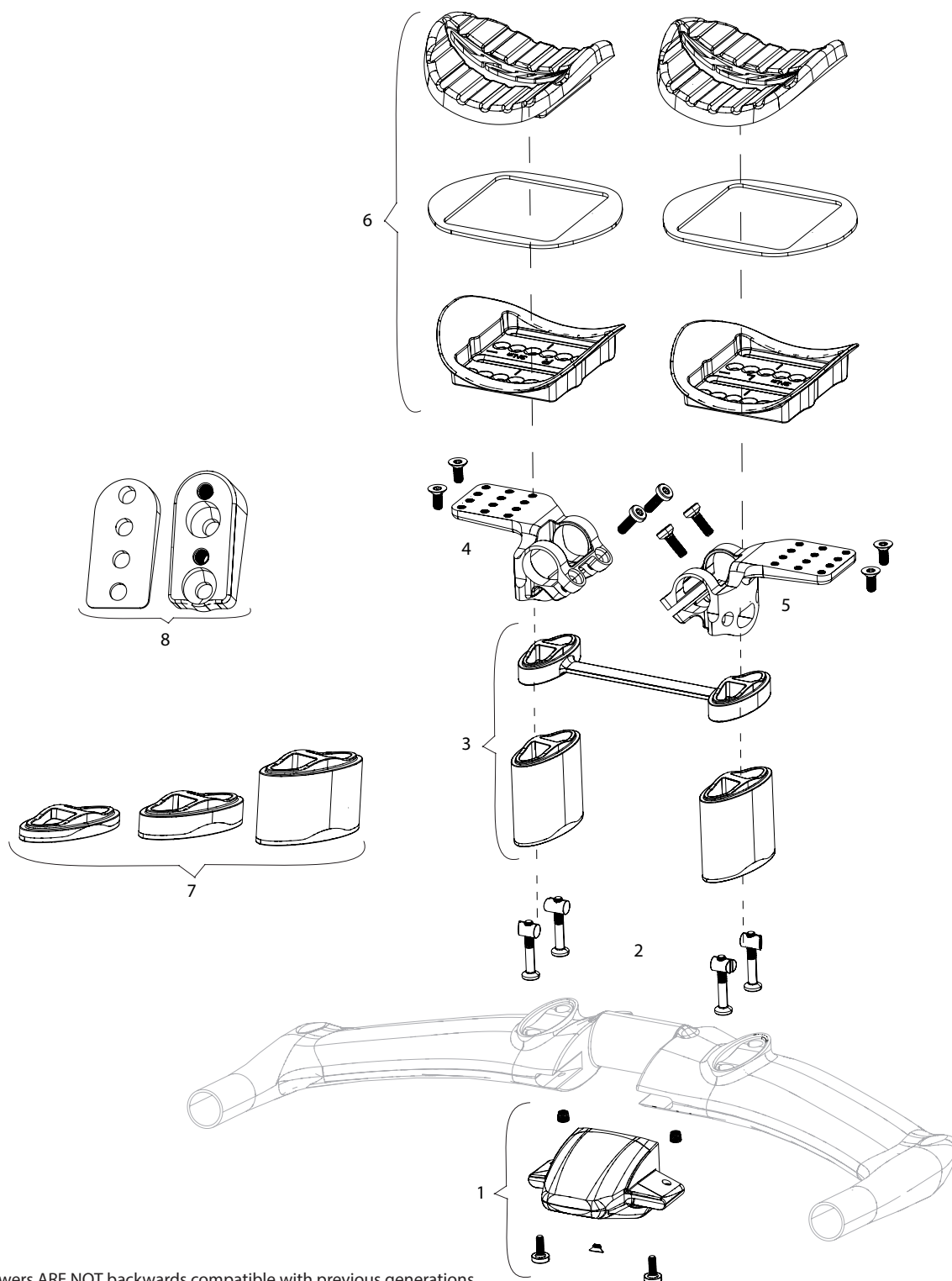
NO.	PART NUMBER	DESCRIPTION
1	11.6618.000.000	HANDLEBAR VUKA ALUMINA CLIP BOLT KIT TOP MOUNT 1 SIDE
2	11.6618.001.000	HANDLEBAR VUKA ALUMINA CLIP ARMREST PAD KIT
3	11.6618.001.001	HANDLEBAR VUKA ALUMINA/STEALTH/AERO ARMREST KIT
4	11.6618.003.000	HANDLEBAR VUKA ALUMINA/CARBON EXTENSIONS END PLUGS
ns	11.6618.023.000	HANDLEBAR BEZEL EVO EXTENSION ETAP CLICS, QTY 2
5	11.6618.014.000	HANDLEBAR VUKA ALUMINA TOP MOUNT LOWER CLAMPS AND BOLTS





NO.	PART NUMBER	DESCRIPTION
2	11.6618.008.002	HANDLEBAR EXTENSION TOWER (1 SIDE ONLY) VUKA STEALTH
3	11.6618.001.001	HANDLEBAR VUKA ALUMINA/STEALTH/AERO ARMREST KIT
4	11.6618.019.000	HANDLEBAR VUKA AERO EXTENSION TOWER BOLT KIT
5	11.6618.009.000	HANDLEBAR VUKA STEALTH ARMREST CLAMP RIGHT WITH BOLTS 20MM
6	11.6618.009.001	HANDLEBAR VUKA STEALTH ARMREST CLAMP LEFT WITH BOLTS 20MM

Return to  
Index



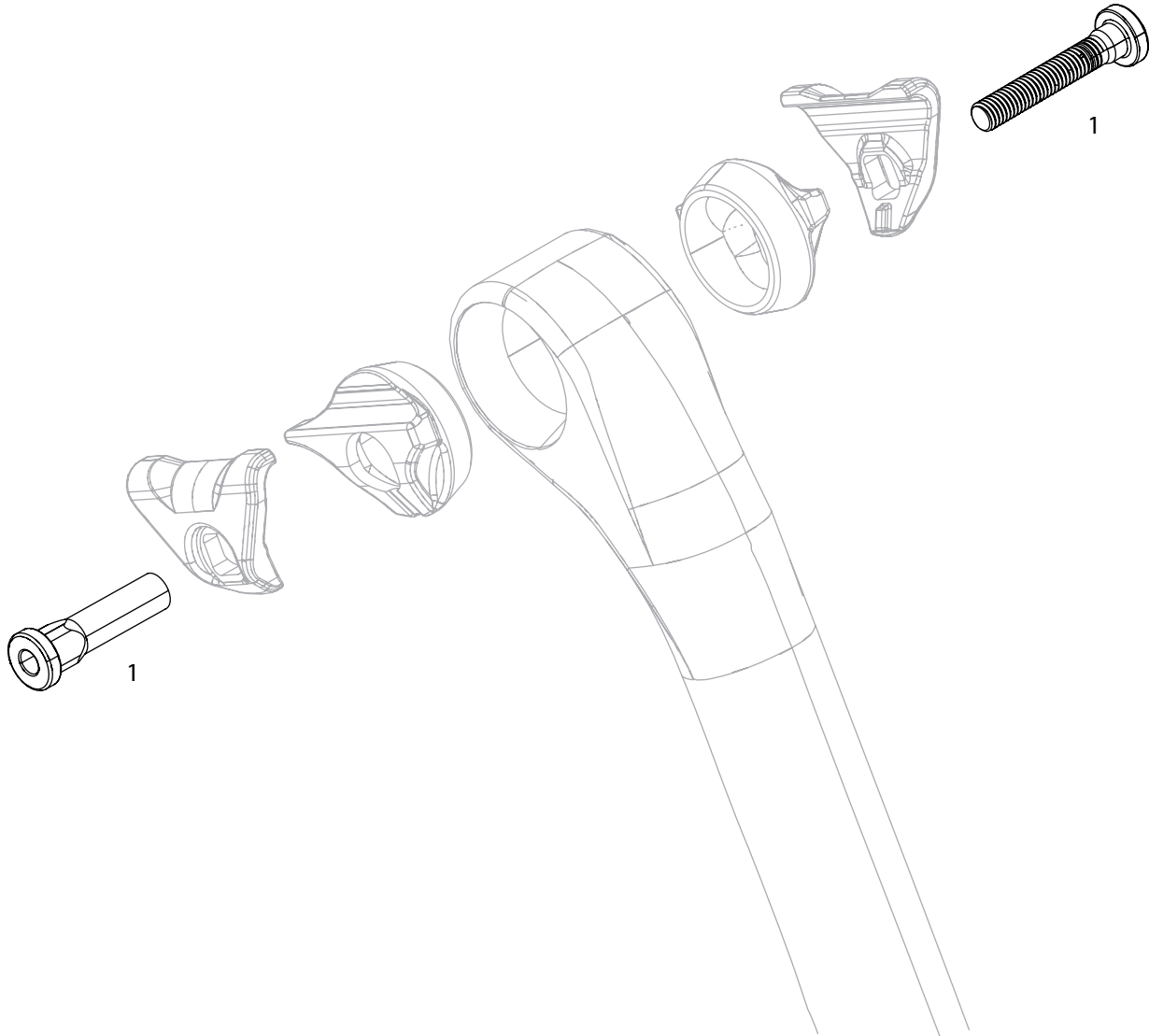
C1 extension towers ARE NOT backwards compatible with previous generations.

NO.	PART NUMBER	DESCRIPTION
1	11.6618.029.001	HANDLEBAR VUKA AERO CENTER CAP KIT INCLUDING INSERT, PLUGS AND BOLTS
2	11.6618.029.002	HANDLEBAR VUKA AERO C1 TOWER BOLT KIT (4x35MM INCLUDING NUTS)
3	11.6618.029.000	HANDLEBAR VUKA AERO HIGH STACK KIT FOR VUKA AERO C1 (10MM RISER BRIDGE, 50MM RISERS 2 PCS AND BOLTS)
4	11.6618.029.003	HANDLEBAR VUKA AERO C1 CLAMP & ARMREST WING RIGHT INCLUDING BOLTS
5	11.6618.029.004	HANDLEBAR VUKA AERO C1 CLAMP & ARMREST WING LEFT INCLUDING BOLTS
6	11.6618.029.005	HANDLEBAR VUKA AERO C1 ARMREST KIT BOTH SIDES
7	11.6618.029.006	HANDLEBAR VUKA AERO RISER KIT FOR VUKA AERO C1 (2X5MM,4X10MM,2X30MM RISER SETS AND BOLTS)
8	11.6618.029.007	HANDLEBAR VUKA AERO ARMREST ANGLE WEDGE KIT FOR VUKA AERO C1 (WEDGE 5 AND 10 DEGREE AND BOLTS)



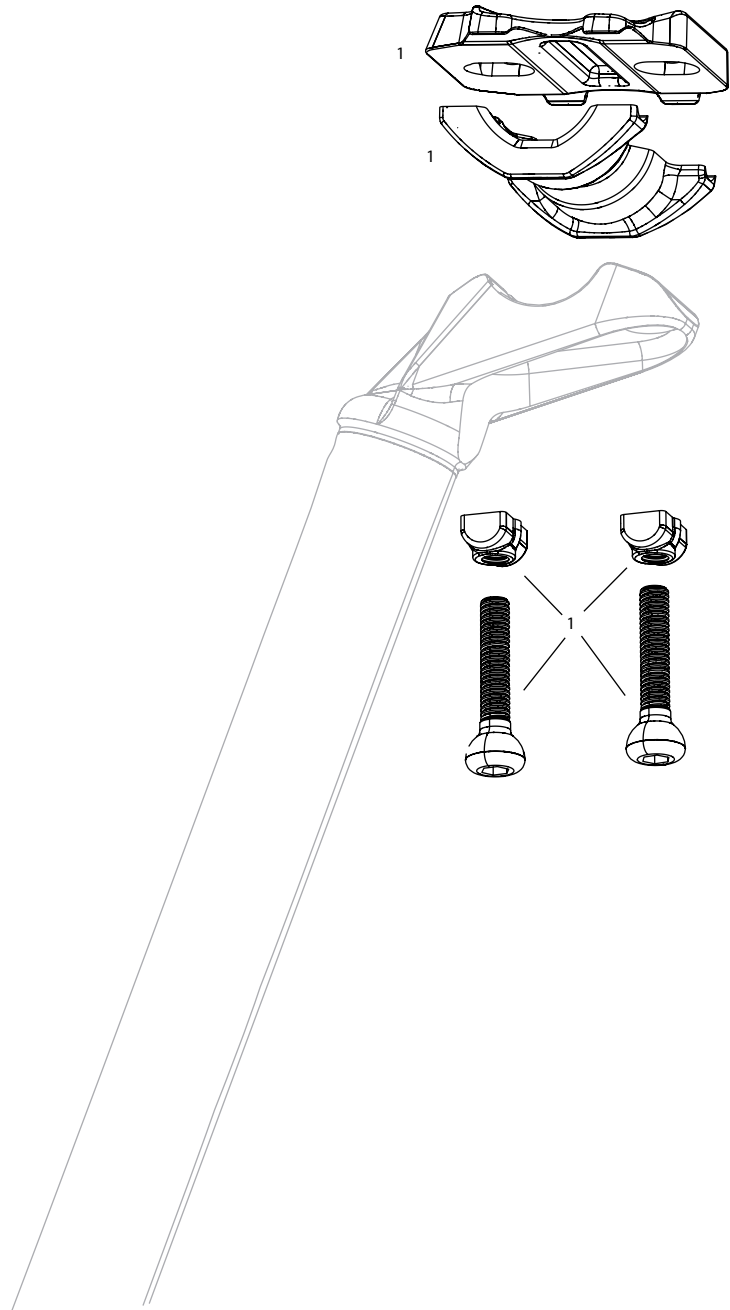
NO.	PART NUMBER	DESCRIPTION
1	11.6618.008.002	HANDLEBAR EXTENSION TOWER (1 SIDE ONLY) VUKA STEALTH
3	11.6618.001.001	HANDLEBAR VUKA ALUMINA/STEALTH/AERO ARMREST KIT
4	11.6618.009.000	HANDLEBAR VUKA STEALTH ARMREST CLAMP RIGHT WITH BOLTS 20MM
5	11.6618.009.001	HANDLEBAR VUKA STEALTH ARMREST CLAMP LEFT WITH BOLTS 20MM

Return to  
Index



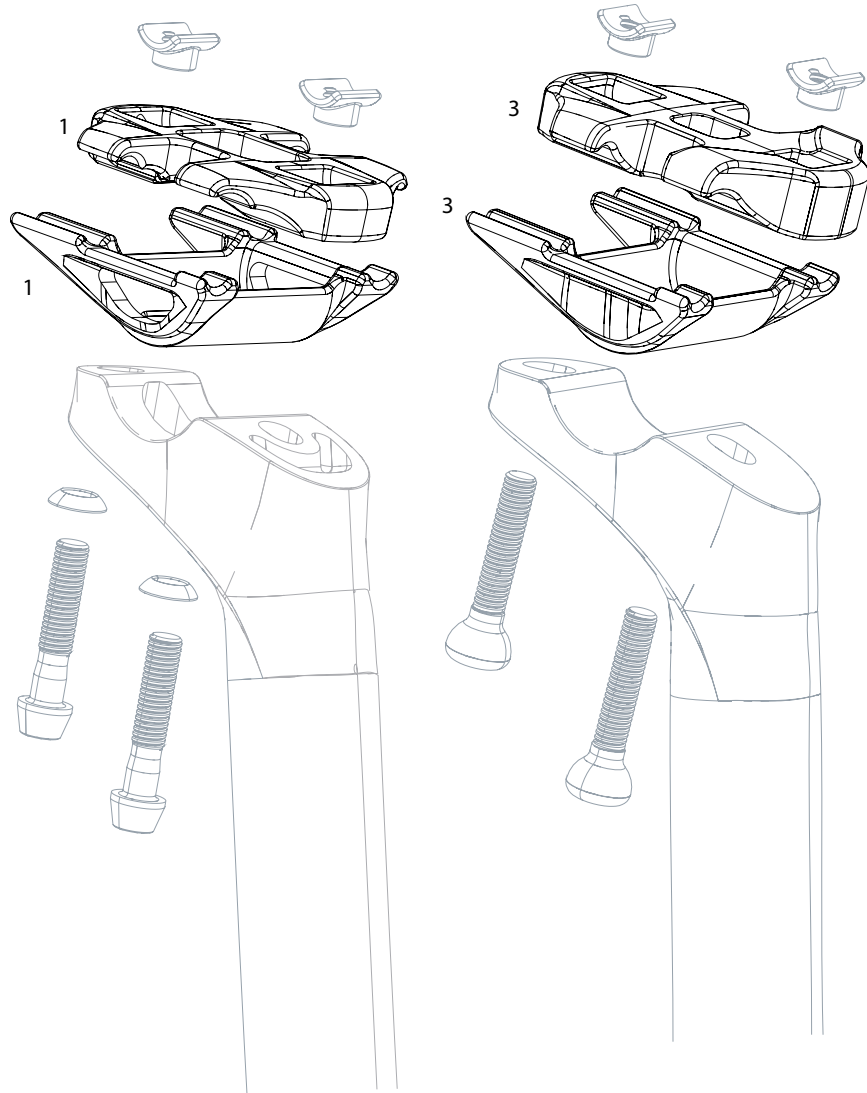
NO.	PART NUMBER	DESCRIPTION
1	11.6818.038.000	SEATPOST BOLT KIT SL SPEED B1 STEEL BLACK

Return to  
Index



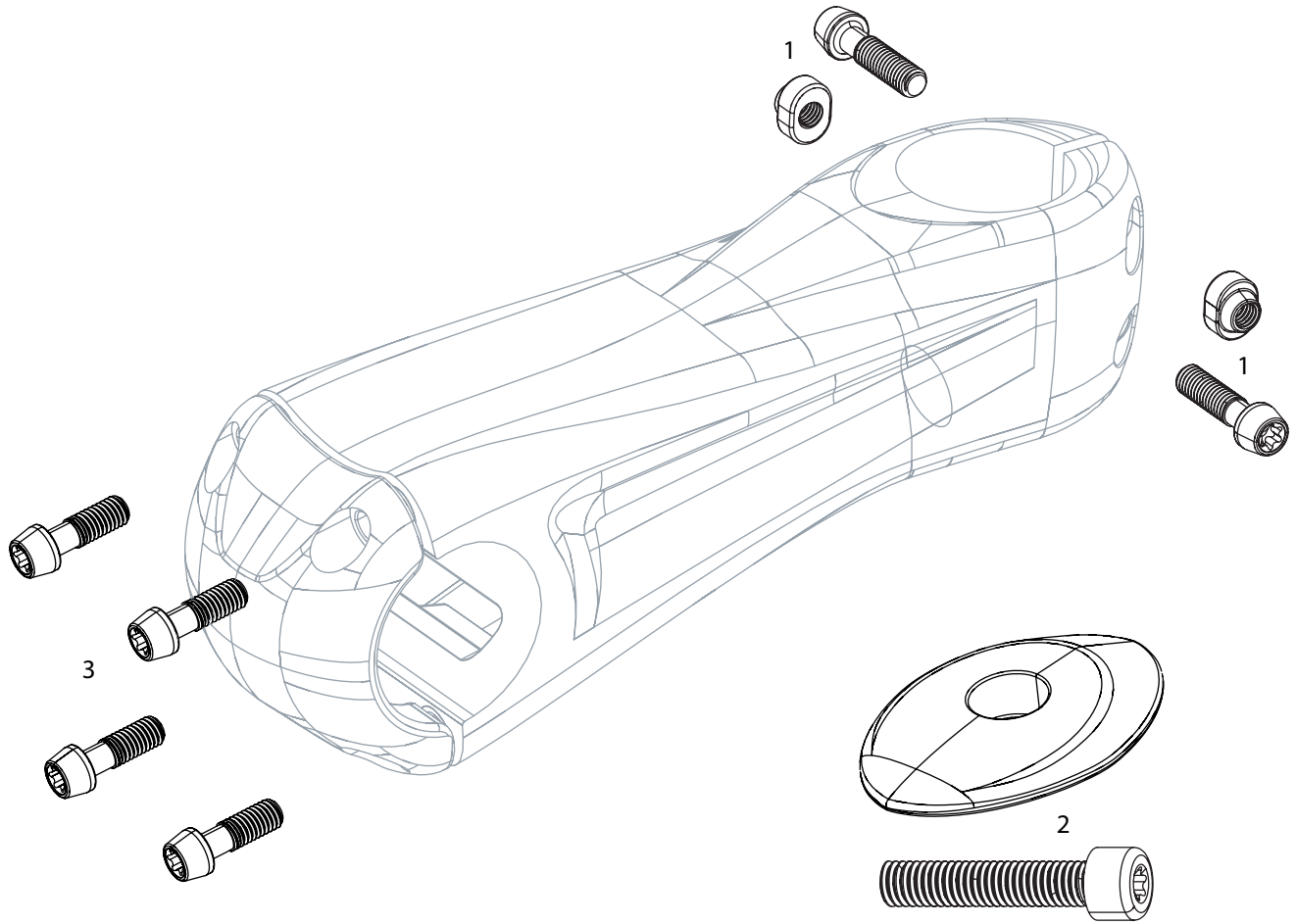
NO.	PART NUMBER	DESCRIPTION
1	11.6818.050.000	SEATPOST BOLTS, NUTS, UPPER AND LOWER CLAMP SERVICE COURSE SL CARBON

Return to  
Index



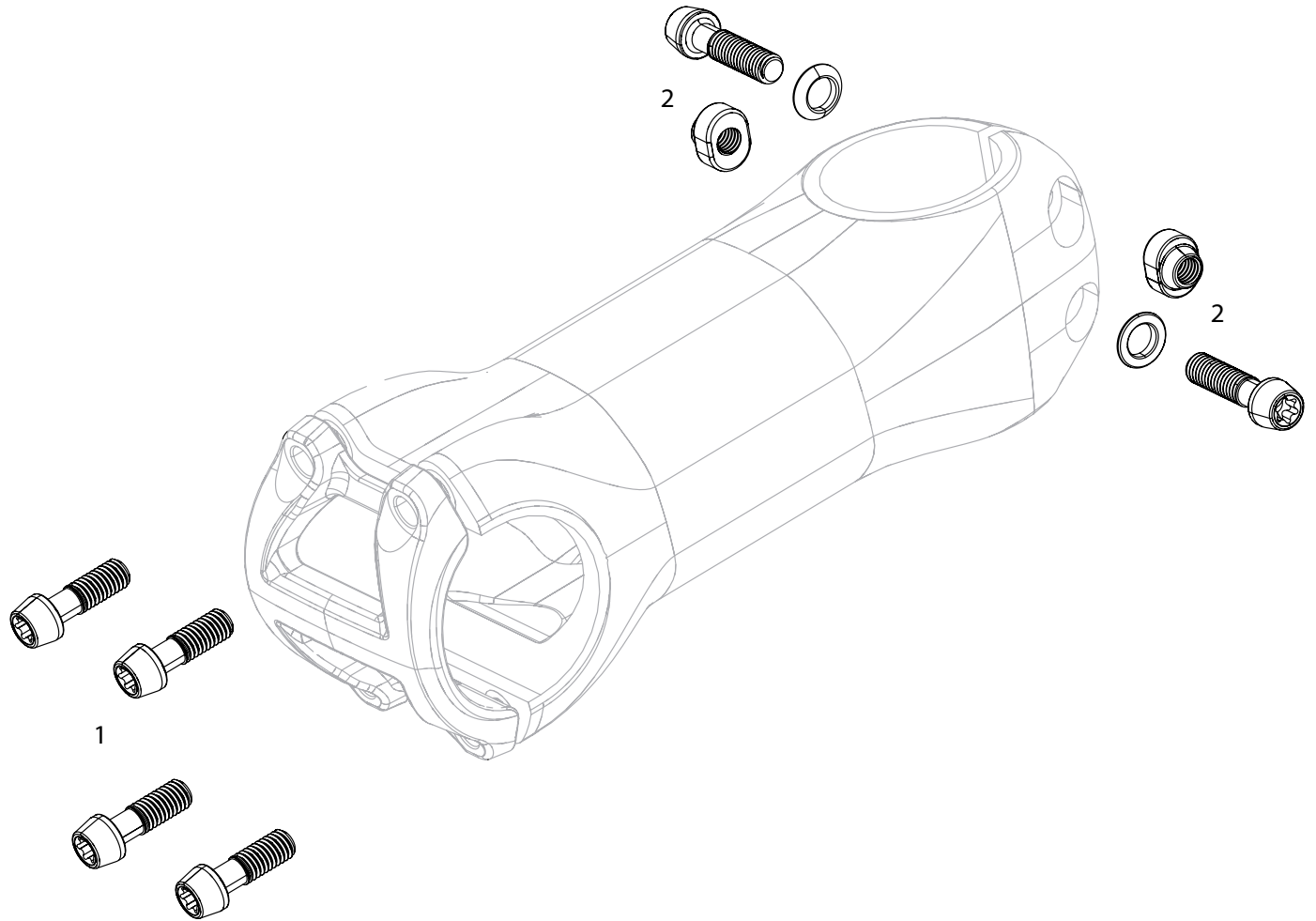
NO.	PART NUMBER	DESCRIPTION
1	11.6818.044.000	SEATPOST TOP AND BOTTOM CLAMP SERVICE COURSE SL SHINY BLACK B1
3	11.6818.046.000	SEATPOST TOP AND BOTTOM CLAMP B1 0 AND 20 OFFSET SERVICE COURSE

Return to  
Index



NO.	PART NUMBER	DESCRIPTION
1	11.6518.004.000	STEM BOLT KIT STEERER CLAMP SL SPRINT
2	11.6518.006.000	STEM TOP CAP AND ALUMINUM BOLT SL SPRINT
3	11.6518.003.000	STEM BOLT KIT FACEPLATE SL SPRINT

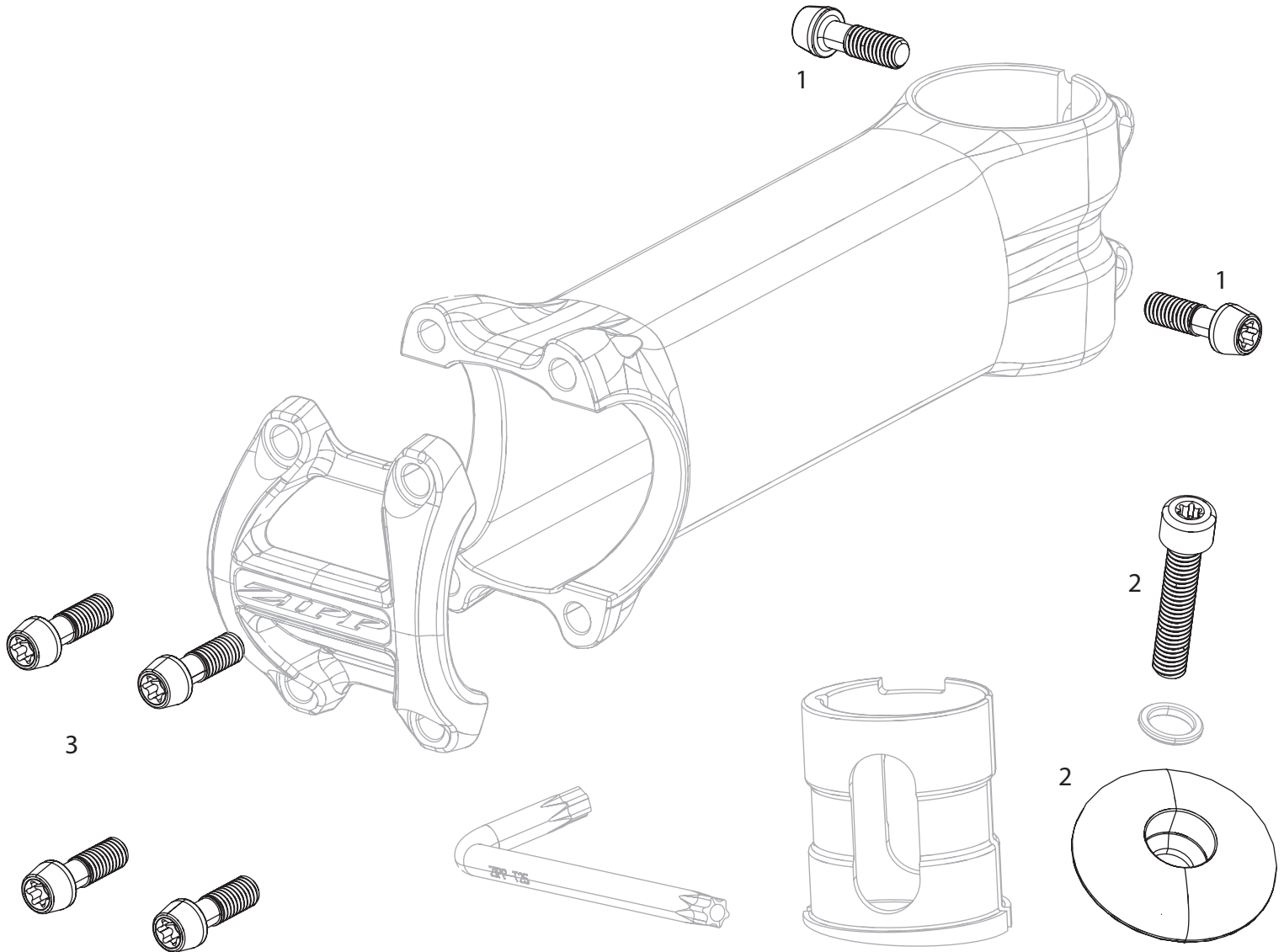
Return to  
Index



NO.	PART NUMBER	DESCRIPTION
1	11.6518.015.000	STEM BOLT KIT FACEPLATE SL SPEED B1 TITANIUM QTY 4
2	11.6518.016.000	STEM BOLT KIT STEERER CLAMP SL SPEED B1, TITANIUM, QTY 2

Return to  
Index





NO.	PART NUMBER	DESCRIPTION
1	11.6518.007.000	STEM BOLT KIT SERVICE COURSE STEEL BLACK B1
2	11.6518.010.000	STEM TOP CAP AND ALLOY BOLT SERVICE COURSE SL POLISHED BLACK
3	11.6515.005.001	STEM BOLT KIT SERVICE COURSE SL TITANIUM BEYOND BLACK A1/B1

Return to  
Index



**WORLD HEADQUARTERS**

SRAM, LLC  
1000 West Fulton Market  
4th Floor  
Chicago, Illinois 60607 USA  
Dealers: +1-800-346-2928  
Tel: +1-312-664-8800  
Fax: +1-312-664-8826

**EUROPEAN HEADQUARTERS**

SRAM EUROPE SALES & SERVICES BV  
Paasbosweg 14-16  
3862ZS Nijkerk  
The Netherlands  
Tel: +31-33-4506060  
Fax: +31-33-4570200

**ASIAN HEADQUARTERS**

SRAM TAIWAN  
No. 1598-8 Chung Shan Road  
Shen Kang Hsiang, Taichung  
County 429  
Taiwan R.O.C.  
Tel: +886-4-2521-3688  
Fax: +886-4-2561-3686