

**SRAM**



# SPARE PARTS CATALOG

2024



# How to use this Spare Parts Catalog

SRAM spare parts, service kits, and upgrade compatibility are defined by the product's MODEL CODE. To find the appropriate parts, follow the instructions below.

## 1. Find your serial number.

For assistance in locating the serial number, please refer to the [Component Serial Number Locator document](#).

## 2. Find your model code.

Determine your model code, download the appropriate service manual, and more, by entering the serial number into the [SRAM Service Site](#).

## 3. Decode your model code.

These Model Codes are used to link information to specific products and can be used to search for manuals and documentation or review spare parts in this SRAM Spare Parts Catalog.

Model Code example: DB-LVL-ULT-B1

DB = Product Type: Disc Brake

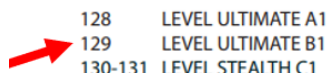
LVL = Platform/Series: Level

ULT = Model: Ultimate

B1 = Version: B - second generation, 1 - first iteration

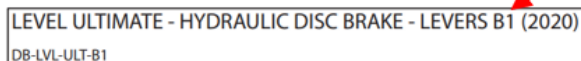
## 4. Now, find the right page using that information.

-Click your model.



128 LEVEL ULTIMATE A1  
129 LEVEL ULTIMATE B1  
130-131 LEVEL STEALTH C1

-Scroll to the page with your specific generation.



LEVEL ULTIMATE - HYDRAULIC DISC BRAKE - LEVERS B1 (2020)  
DB-LVL-ULT-B1

-Then check the description to confirm the compatibility of the part you need.

NO.	PART NUMBER	
	LEVER SPARES	
1	11.5018.046.012	DISC BRAKE LEVER ASSEMBLY - CARBON LEVER (ASSEMBLED, NO HOSE, INCLUDES BARB & OLIVE) VERSION 2 BLACK - LEVEL ULTIMATE A1-B1
2	11.5018.003.016	DISC BRAKE LEVER BLADE KIT - CARBON BLACK (INCLUDES BLADE, DOWEL & PUSHROD) - LEVEL ULTIMATE
3	11.5018.005.011	DISC BRAKE LEVER INTERNALS/SERVICE KIT - (INCLUDES PISTON ASSEMBLY, BLADDER & SPRING) - VERSION 2 LEVEL ULTIMATE/TLM/TL
4	11.5018.022.001	DISC BRAKE LEVER RESERVOIR CAP KIT - (INCLUDES RESERVOIR CAP, BLADDER & HARDWARE) - LEVEL ULTIMATE/TLM/TL/T/ LEVEL
5	11.5018.023.000	DISC BRAKE LEVER BEARING KIT - (INCLUDES TWO 1/8X3/8X5/32 BEARINGS, HARDWARE) - GUIDE RSC/ULT,X0 TRAIL/CODE RSC/ULT/SLV,LEVEL ULT/SLV,G2 ULT,CODE ULT/CODE SLV

Need help? [Contact SRAM Rider Support](#) for assistance.

### Notes:

ns = not shown

Year designation denotes model year, not manufacture date

Determining manufacture date from serial number:

25T1XXXXXXXX -

'25' is the week of the year in which the product was made

'T' is an abbreviation for factory location

'1' is the last digit of the year in which it was made (2021 in this case)

Refer to the [www.sram.com/service](http://www.sram.com/service) for service instructions.

# TABLE OF CONTENTS

## REAR DERAILLEURS - ROAD

5	RED / FORCE ETAP AXS D1
6	RED AXS E1
7	RED/FORCE/RIVAL/APEX ETAP AXS XPLR
8	RED AXS XPLR E1
9	RIVAL ETAP AXS
10	RED ETAP
11	RED 22
12	RED 2013
13	RED (2008-2011)
14	FORCE 22 / RIVAL 22
15	APEX XPLR / EAGLE MECH
16	FORCE 1 / CX1
17	RIVAL 1
18	APEX 1 / NX
19	FORCE / RIVAL / APEX (2007-2012)

## FRONT DERAILLEURS - ROAD

20	RED / FORCE / RIVAL ETAP AXS
21	RED AXS E1
22	RED ETAP

## SHIFTERS / LEVERS - ROAD

23	RED / FORCE ETAP EB AXS
24	RED D1 / FORCE D1/D2 ETAP ED AXS
25	RED E1 AXS
26	RIVAL / APEX ETAP AXS ED
27	APEX SD / DB MECHANICAL
28/29	HRD/HRR RED 22 B1 / FORCE 22 / CX1 / RIVAL 22 / 700 B1
30	RED ETAP
31	RED ETAP HRD
32	RED 22 / 2013
33	RED
34	RIVAL / APEX (2007-2012)
35	S900 TT

## DISC BRAKE CALIPERS - ROAD

36	RED / FORCE HRD ETAP AXS / S900
37	RED AXS E1
38	RIVAL HRD ETAP AXS / APEX/ S300
39	RED ETAP HRD
40	RED 22 / FORCE 22/FORCE1/RIVAL 22 / 700 B1 / APEX 1

## RIM BRAKE CALIPERS - ROAD

41	RED 2013
42	S900 DIRECT MOUNT RB

## CRANK / CHAINRINGS ROAD

43/44	CHAINRINGS - ROAD
45	CHAINRING FORCE 1x / 2x POWERMETER AXS
46	CHAINRING FORCE 1x / 2x NON-POWER
47	CHAINRING FORCE D2 2x POWER AND NON-POWER
48	CHAINRING RED 1x / 2x POWERMETER AXS
49	CHAINRING RED 1x / 2x NON-POWER
50	CHAINRING RED XPLR AXS
51	CHAINRING AND CRANK RIVAL ETAP AXS
52	CRANK & CHAIN RING) BOLTS, SPIDER, GUARDS

53	CASSETTE, BOTTOM BRACKETS - ROAD
----	----------------------------------

## REAR DERAILLEURS - MTB

54	XXSL EAGLE TRANSMISSION
55	XX / X0 EAGLE TRANSMISSION
56	GX EAGLE TRANSMISSION
57	Universal Transmission cage kits
58	XX1/X01 EAGLE AXS
59	XX1/X01 EAGLE
60	GX EAGLE AXS
61	GX EAGLE
62	NX EAGLE
63	SX EAGLE
64	XX1 / X01 / X01DH / X1 / EX1
65	X0 / X9 / X7 TYPE 2/2.1 (2013-PRESENT) 2X10
66	X0 / X9 / X7 / VIA GT (2011-2013) 2X10, 3X10
67	X0 (2006-2013)
68	X01 DH
69	GX DH
70	GX 2X10 TYPE 2.1
71	GX 2X11 TYPE 2.1
72	GX 1X11, GX DH 1X7 TYPE 2.1

## CONTROLLERS / TRIGGER SHIFTERS - MTB

73	POD / POD Ulti / POD Rocker Controller
74	XX1 / X01 / GX EAGLE AXS
75	XX1 EAGLE
76	X01 EAGLE
77	GX / NX EAGLE
78	SX EAGLE
79	XX1 / X01 / X01DH 1X11, EX1

## TWIST SHIFTERS - MTB

80	XX1 EAGLE
----	-----------

## CRANK / CHAINRINGS MTB

79	XXSL EAGLE TRANSMISSION
81	XX & XXSL SPIDER POWER EAGLE TRANSMISSION
83	XX SPINDLE POWER EAGLE TRANSMISSION
84	XX EAGLE TRANSMISSION
85	XO / GX EAGLE TRANSMISSION
86	CRANK LEFT ARMS / CRANK (CHAIN RING) BOLTS
87	SPIDER / BOTTOM BRACKET / CASSETTE
88-89	CHAINRINGS MTB NON-EAGLE
90-91	CHAINRINGS MTB EAGLE
92	CHAINRINGS T-TYPE EAGLE
93	CHAINRINGS T-TYPE EAGLE (FOR BOSCH/BROSE/FAZUA/TQ)
94	QUARQ TYREWIZ

## TIME Sport Pedals

95	Xpro / Xpresso
----	----------------

# TABLE OF CONTENTS

## HUBS

96	406 / 506 MTB HUB
97	716/746 - MTB HUB
98	X9 - MTB HUB
99	900 - MTB HUB
100	CONVERSION CAPS / AXLE AND QR / GREASE AND TOOLS
101	X0 - MTB HUB (2015-2018) A1
102	PREDICTIVE STEERING - MTB HUB

## SRAM MTB WHEELS

103	RISE 60, B1 (2015-2018)
105	RISE XX A1 (2015-2017)
107	ROAM 60 27.5/29" B1 (2017-2018)
109	ROAM 50/60 (2014-2016) A1
111	RAIL 40 (2015-2016) A1
113	RAIL 50 (2014-2016) A1

115-116 MAXLES

## TRUVATIV STEMS

117	ATMOS
-----	-------

## MTB LEVERS

118	DB1
119	DB3
120	DB5
121	DB8
122	LEVEL A1
123	LEVEL T A1 / GUIDET A1
124	LEVEL TL A1
125	LEVEL TLM A1
126	LEVEL TLM B1
127	LEVEL ULTIMATE A1
128	LEVEL ULTIMATE B1
129-130	LEVEL STEALTH C1
131	GUIDE R A1-B1
132	GUIDE RE A1
133	GUIDE RS A1-B1
134	GUIDE RSC A1-B1
135	G2 R
136	G2 RS
137	G2 RSC A1
138	GUIDE ULTIMATE A1
139	G2 ULTIMATE A1
140	CODE R B1
141	CODE RS A1
142	CODE RSC A1
143	CODE STEALTH C1 ULT/SLV/BRONZE
144	MAVEN A1
145	MAVEN BRONZE
146	X0
147	XX WC

## MTB CALIPERS

148	DB1
149	DB3
150	DB5
151	DB8
152	LEVEL A1
153	LEVEL T A1
154	LEVEL TL A1
155	LEVEL TLM/ULTIMATE A1
156	LEVEL TLM/ULTIMATE B1
157	LEVEL STEALTH 4-PISTON C1
158	LEVEL STEALTH 2-PISTON C1
159	GUIDE R/RS/RSC A1
160	GUIDE T/R/RS/RSC S4 B1
161	G2 R/RS
162	GUIDE RE A1
163	G2 RSC A1
164	GUIDE ULTIMATE A1
165	G2 ULTIMATE A1
166	CODE R B1 / RS A1
167	CODE RSC A1
168	CODE STEALTH C1
169	MAVEN A1 ULTIMATE/SLV/BRONZE
170	X0
171	XX / XX WC

## 172/173 AVID LEGACY BRAKE SPARES OVERVIEW

## BRAKE PADS/ROTORS / MOUNTING BRACKETS / HARDWARE / TOOLS

174-175	BRAKE PADS DISC & RIM
176	ROTORS
177-179	MOUNTING BRACKETS & TOWERS / SPACERS
180	FLAT MOUNT ROAD
181	MATCHMAKER / HYDRAULIC LINES AND FITTINGS
182	BLEED KITS / TOOLS / BRAKE FLUID / GREASE
183	TACKLEBOX / BULK KITS

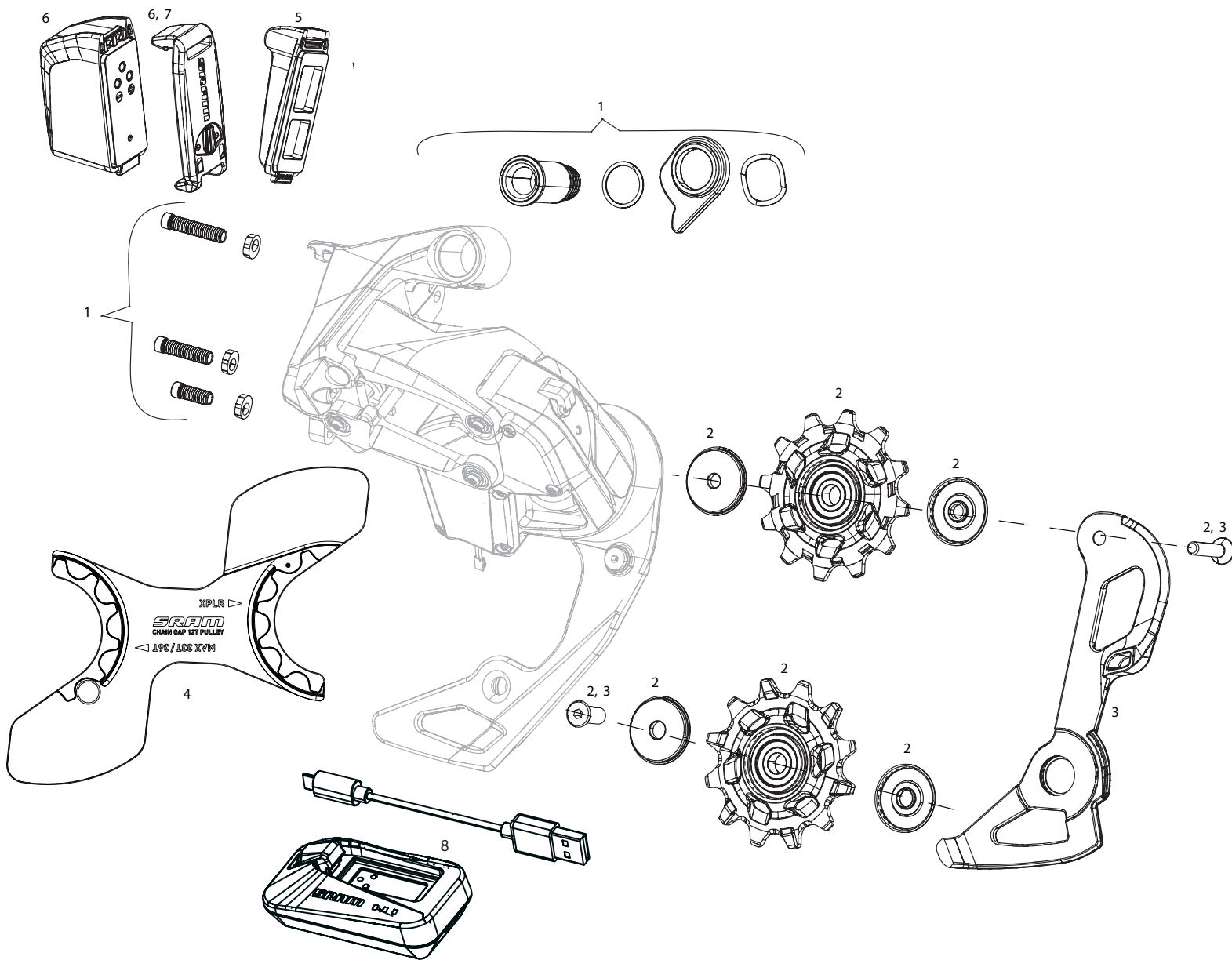
## EAGLE TRANSMISSION POWERTRAIN (ETP)

184	POWERTRAIN
-----	------------



# RED 33T & 36T / FORCE 33T ETAP AXS - REAR DERAILLEUR

RD-RED-E-D1 / RD-FORCE-E-D1

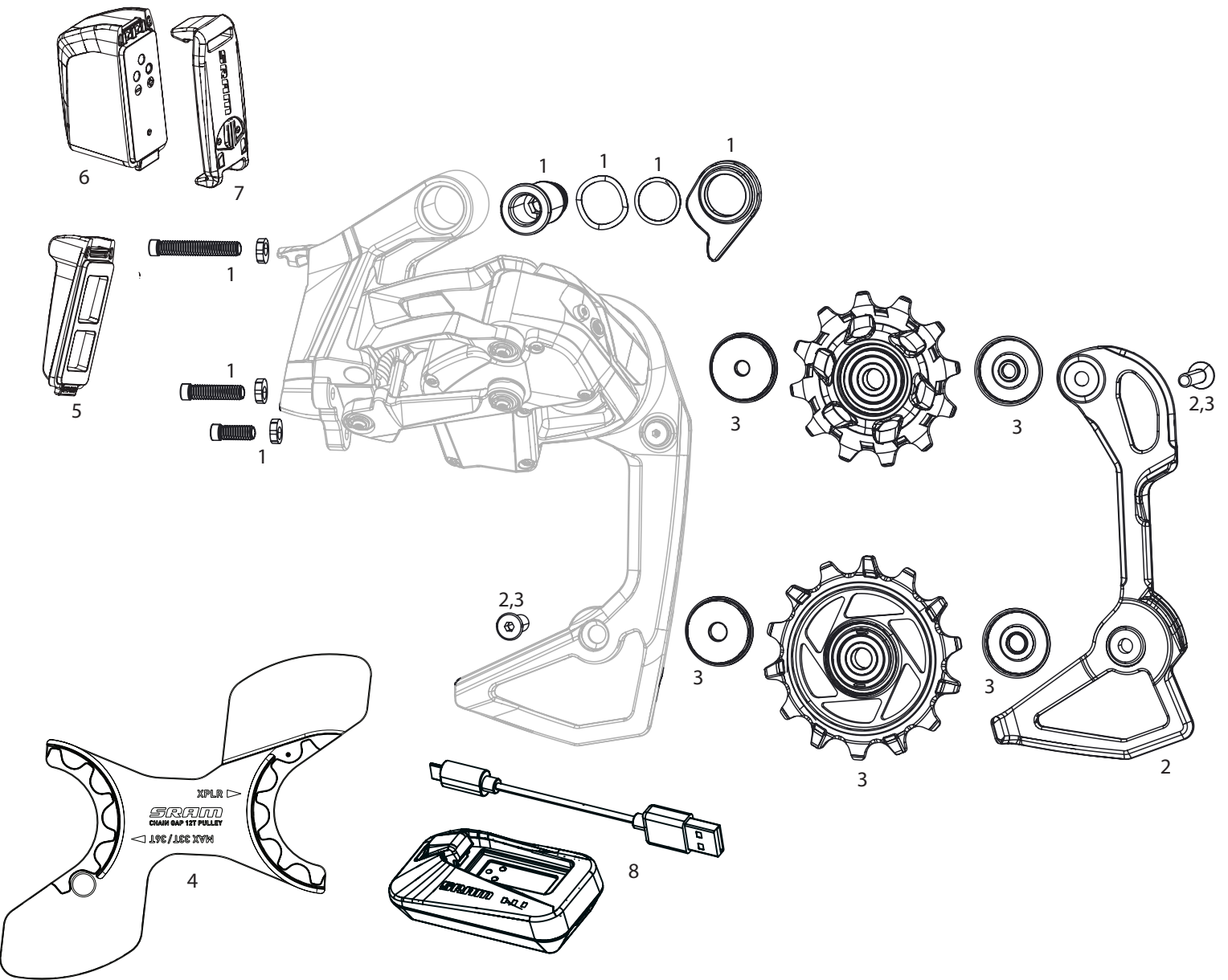


NO.	PART NUMBER	DESCRIPTION
1	11.7518.093.001	REAR DERAILLEUR B-BOLT / B-SCREW / ALUMINUM LIMIT SCREWS RED ETAP AXS
1	11.7518.093.002	REAR DERAILLEUR B-BOLT / B-SCREW / STEEL LIMIT SCREWS FORCE ETAP AXS
1	11.7518.093.007	REAR DERAILLEUR B-BOLT / B-SCREW / STEEL LIMIT SCREWS FORCE WIDE ETAP AXS
1	11.7518.093.008	REAR DERAILLEUR B-BOLT / B-SCREW / ALUMINUM LIMIT SCREWS RED 36T ETAP AXS
1	11.7518.093.017	REAR DERAILLEUR B-BOLT / B-SCREW / STEEL LIMIT SCREWS FORCE AXS D2 (36T AND 44T XPLR)
2	00.7518.127.000	REAR DERAILLEUR PULLEY KIT RED ETAP AXS 26T-36T (INCLUDES 12T UPPER AND 12T LOWER CERAMIC PULLEYS, 18.5MM AND 12.8MM TITANIUM PULLEY SCREWS, GREASE)
2	11.7518.093.004	REAR DERAILLEUR PULLEY KIT FORCE ETAP AXS STEEL BEARING 12 SPEED
3	11.7518.093.005	REAR DERAILLEUR INNER CAGE CARBON RED ETAP AXS 33T-36T (INCLUDING SCREWS)
3	11.7518.093.006	REAR DERAILLEUR INNER CAGE FORCE/RIVAL ETAP AXS INCLUDING SCREWS
4	11.7518.100.001	REAR DERAILLEUR CHAINGAP ADJUSTMENT GAUGE - B GAP TOOL - COMPATIBLE WITH ALL ETAP AXS CASSETTES 26T-44T
5	11.7618.008.000	BATTERY BLOCK FOR ETAP/AXS FRONT & REAR DERAILLEUR AND EAGLE AXS RD, REVERB AXS QTY 1
6	00.3018.102.000	SRAM ETAP/AXS BATTERY QTY 1
7	11.7618.006.000	ETAP BATTERY TERMINAL COVER FRONT/REAR DERAILLEUR/REVERB AXS QTY 1
8	00.3018.117.000	SRAM ETAP/AXS BATTERY CHARGER AND CORD



# RED AXS 36T max - REAR DERAILLEUR

RD-RED-E-E1

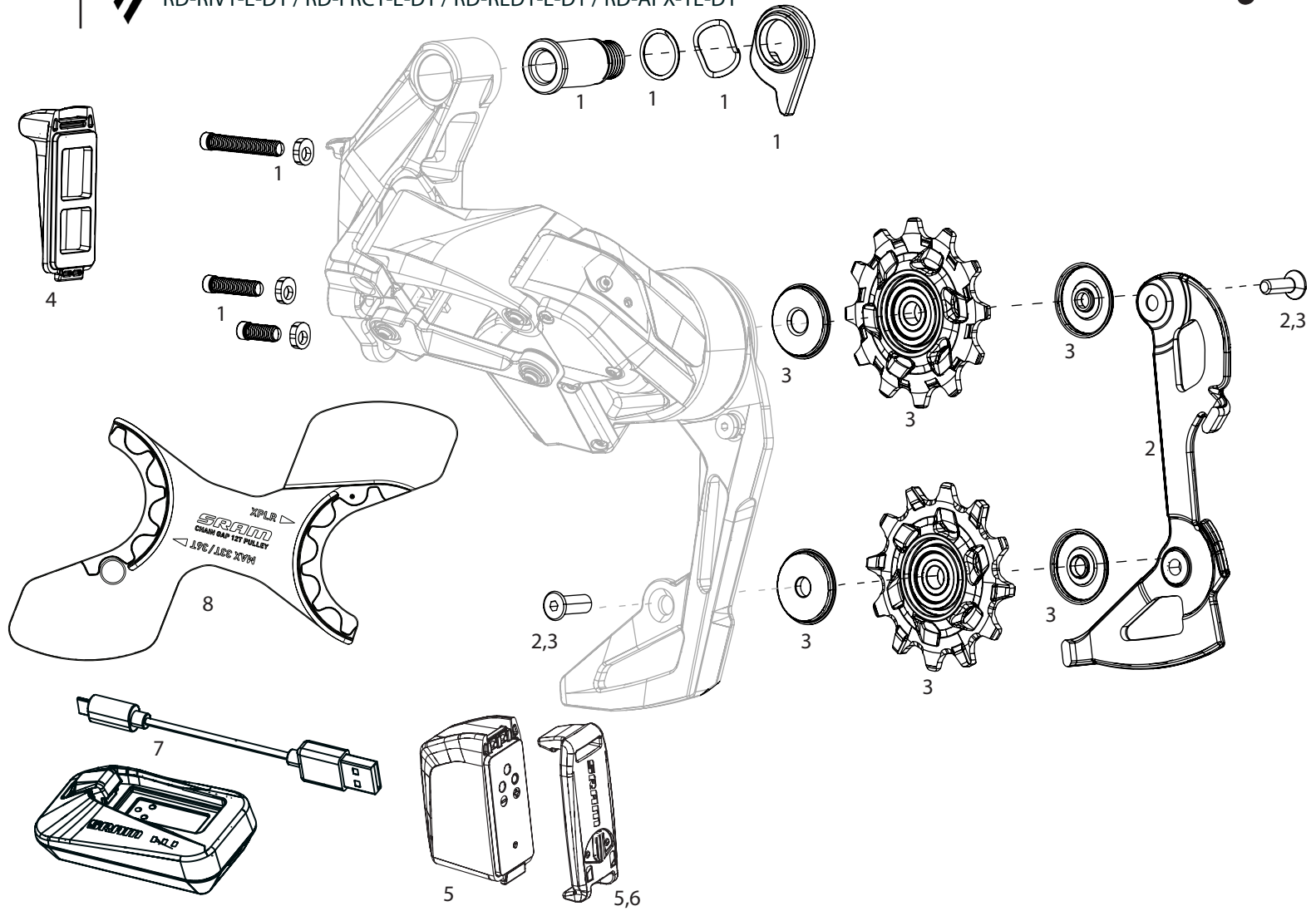


NO.	PART NUMBER	DESCRIPTION
1	11.7518.109.000	REAR DERAILLEUR B-BOLT / B-SCREW / LIMIT SCREWS RED AXS E1 28T-36T
2	11.7518.109.001	REAR DERAILLEUR CARBON INNER CAGE RED AXS E1 INCLUDING TITANIUM SCREWS
3	11.7518.109.002	REAR DERAILLEUR CERAMIC PULLEY KIT RED AXS E1 (INCLUDES 12T UPPER PULLEY AND 14T LOWER METAL SPIDER PULLEY, 18.5MM AND 12.8MM TITANIUM PULLEY SCREWS, GREASE)
4	11.7518.100.001	REAR DERAILLEUR CHAINGAP ADJUSTMENT GAUGE - B GAP TOOL - COMPATIBLE WITH ALL ETAP AXS CASSETTES 26T-44T
5	11.7618.008.000	BATTERY BLOCK FOR ETAP/AXS FRONT & REAR DERAILLEUR AND EAGLE AXS RD, REVERB AXS QTY 1
6	00.3018.102.000	SRAM ETAP/AXS BATTERY QTY 1
7	11.7618.006.000	ETAP BATTERY TERMINAL COVER FRONT/REAR DERAILLEUR/REVERB AXS QTY 1
8	00.3018.117.000	SRAM ETAP/AXS BATTERY CHARGER AND CORD



# XPLR ETAP AXS RED/FORCE/RIVAL/APEX 44T - REAR DERAILLEUR

RD-RIV1-E-D1 / RD-FRC1-E-D1 / RD-RED1-E-D1 / RD-APX-1E-D1

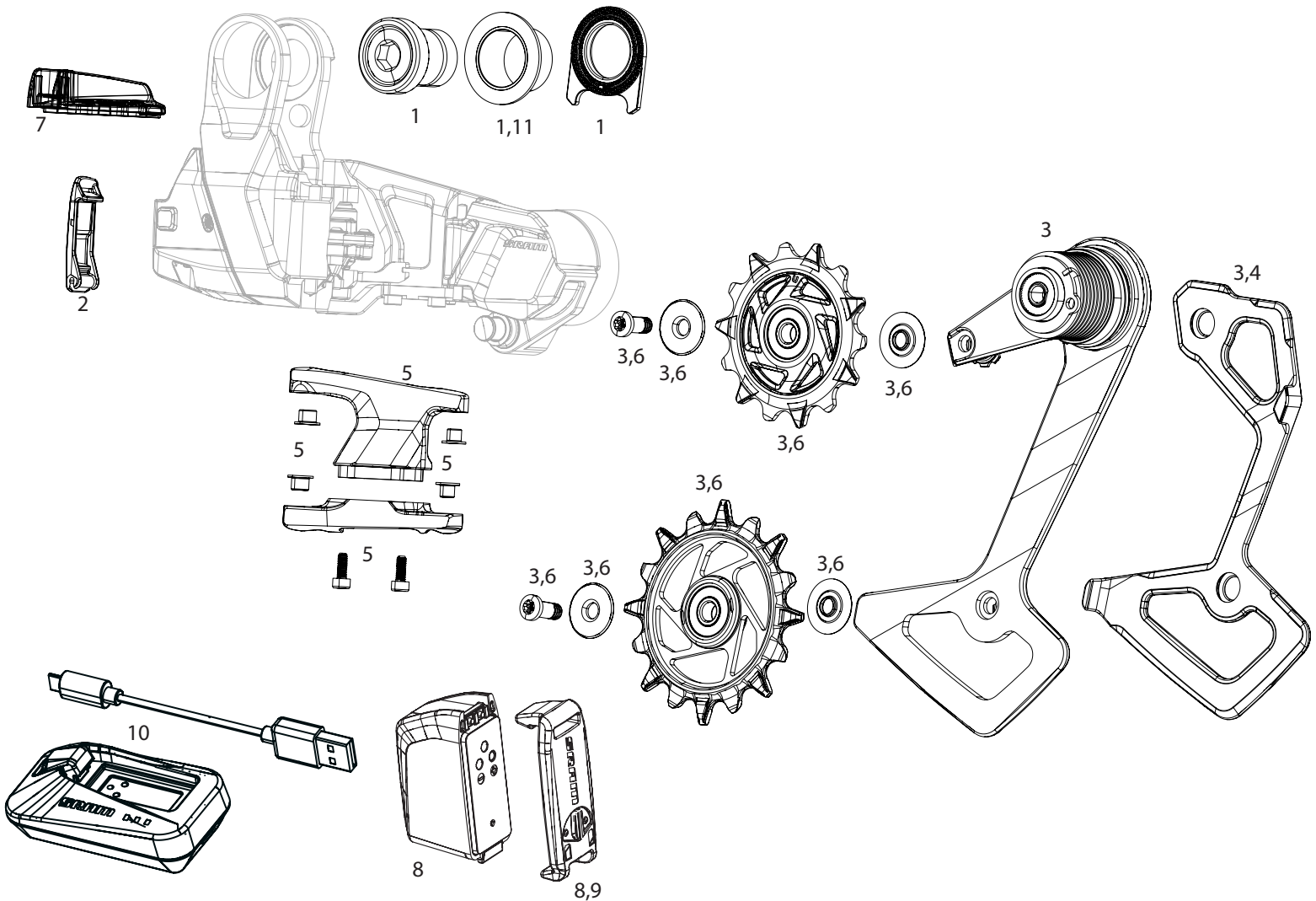


NO.	PART NUMBER	DESCRIPTION
1	11.7518.093.015	REAR DERAILLEUR B-BOLT / B-SCREW / LIMIT SCREWS RED XPLR 44T ETAP AXS
1	11.7518.093.010	REAR DERAILLEUR B-BOLT / B-SCREW / LIMIT SCREWS FORCE XPLR ETAP AXS
1	11.7518.093.012	REAR DERAILLEUR B-BOLT / B-SCREW / LIMIT SCREWS RIVAL 36T AND APEX 44T ETAP AXS
1	11.7518.093.017	REAR DERAILLEUR B-BOLT / B-SCREW / STEEL LIMIT SCREWS FORCE AXS D2 (36T AND 44T XPLR)
2	11.7518.093.009	REAR DERAILLEUR ALUMINUM INNER CAGE RED XPLR ETAP AXS INCLUDING TITANIUM SCREWS
2	11.7518.093.011	REAR DERAILLEUR ALUMINUM INNER CAGE FORCE RIVAL XPLR ETAP AXS INCLUDING STEEL SCREWS
2	11.7518.093.016	REAR DERAILLEUR INNER CAGE APEX XPLR AXS INCLUDING SCREWS
3	11.7518.102.000	REAR DERAILLEUR PULLEY KIT RED XPLR AXS (INCLUDES 12T UPPER AND 12T LOWER CERAMIC PULLEYS, 12.5MM AND 12.8MM TITANIUM PULLEY SCREWS, GREASE)
3	11.7518.102.001	REAR DERAILLEUR PULLEY KIT FORCE XPLR AXS STEEL BEARING (INCLUDES 12T UPPER AND 12T LOWER PULLEYS, 12.5MM AND 12.9MM STEEL PULLEY SCREWS)
3	11.7518.093.014	REAR DERAILLEUR PULLEY KIT RIVAL XPLR ETAP AXS CROME STEEL BEARING (INCLUDES 12T UPPER AND 12T LOWER PULLEYS, 12.9MM AND 12.5MM STEEL PULLEY SCREWS)
3	11.7518.105.000	REAR DERAILLEUR PULLEY KIT APEX XPLR AXS (INCLUDES 12T STEEL BEARING UPPER AND 12T BUSHING LOWER PULLEY, 13MM AND 13.6MM STEEL PULLEY BOLTS)
4	11.7618.008.000	BATTERY BLOCK FOR ETAP/AXS FRONT & REAR DERAILLEUR AND EAGLE AXS RD, REVERB AXS QTY 1
5	00.3018.102.000	SRAM ETAP/AXS BATTERY QTY 1
6	11.7618.006.000	ETAP BATTERY TERMINAL COVER FRONT/REAR DERAILLEUR/REVERB AXS QTY 1
7	00.3018.117.000	SRAM ETAP/AXS BATTERY CHARGER AND CORD
8	11.7518.100.001	REAR DERAILLEUR CHAINGAP ADJUSTMENT GAUGE - B GAP TOOL - COMPATIBLE WITH ALL ETAP AXS CASSETTES 26T-44T



# RED AXS XPLR 46T - REAR DERAILLEUR

RD-RED-1E-E1



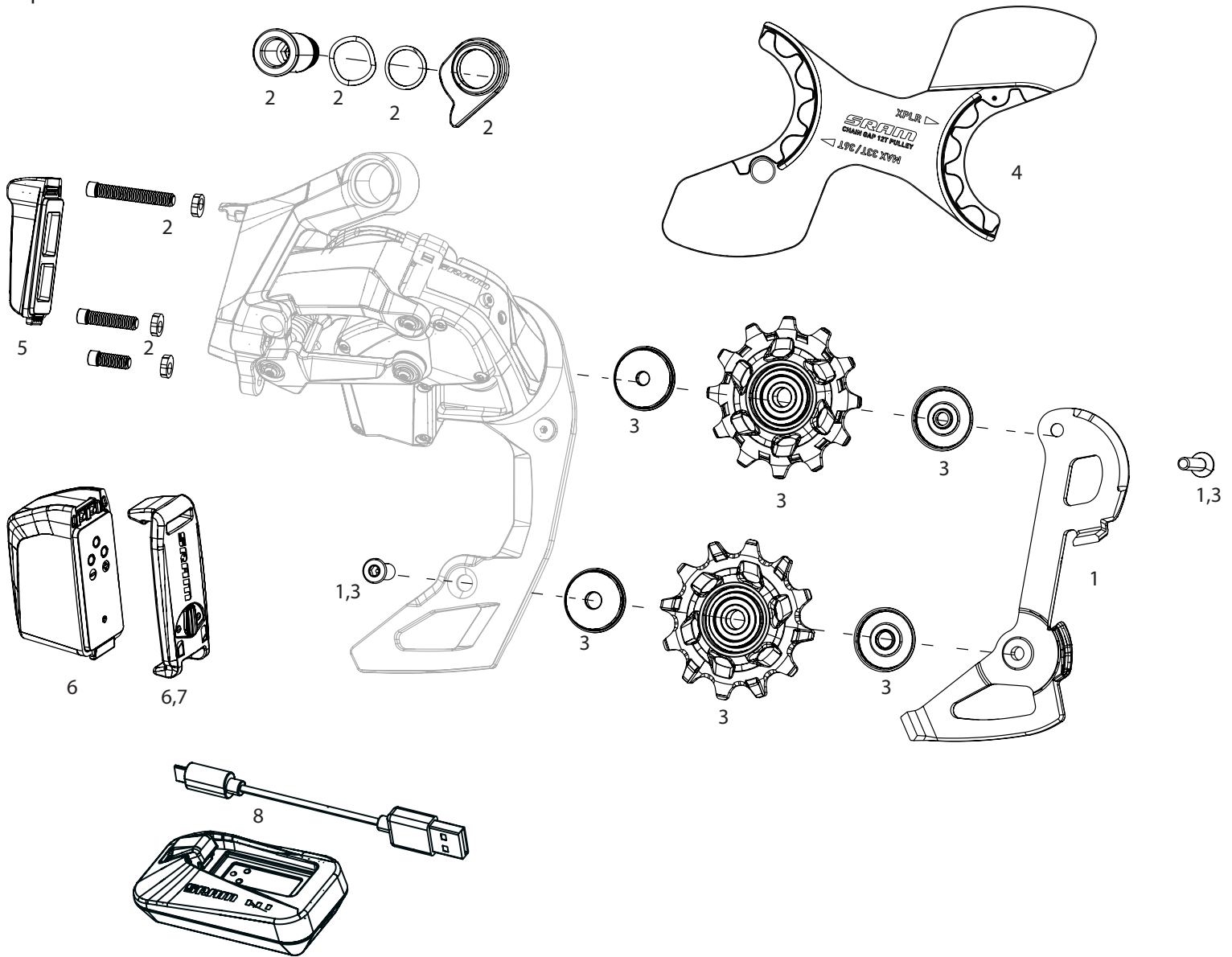
NO.	PART NUMBER	DESCRIPTION
1	11.7518.110.000	REAR DERAILLEUR FULL MOUNT BOLT KIT RED XPLR AXS (B-WASHER, FRAME SLEEVE, B-BOLT)
2	11.7518.104.018	REAR DERAILLEUR BATTERY LEVER/CLIP GX T-TYPE EAGLE AXS AND RED XPLR AXS QTY 1
3	11.7518.110.001	REAR DERAILLEUR CAGE ASSEMBLY KIT RED XPLR AXS (FULL REPLACEMENT CAGE ASSEMBLY INCLUDING OUTER AND INNER CAGES, DAMPER AND PULLEYS)
4	11.7518.110.002	REAR DERAILLEUR CARBON INNER CAGE RED XPLR AXS E1 INCLUDING ALUMINIUM SCREWS
5	11.7518.110.003	REAR DERAILLEUR OUTER LINK KIT RED XPLR AXS (UPPER AND LOWER OUTER LINK WITH BUSHINGS INCLUDING BOLTS)
6	11.7518.104.006	REAR DERAILLEUR PULLEY KIT XXSL T-TYPE EAGLE AXS AND RED XPLR E1 (INCLUDES 14T UPPER AND 16T LOWER SILVER METAL SPIDER PULLEY, 2 T25 ALUMINIUM PULLEY BOLTS)
7	11.7618.008.000	BATTERY BLOCK FOR ETAP/AXS FRONT & REAR DERAILLEUR AND EAGLE AXS RD, REVERB AXS QTY 1
8	00.3018.102.000	SRAM ETAP/AXS BATTERY QTY 1
9	11.7618.006.000	ETAP BATTERY TERMINAL COVER FRONT/REAR DERAILLEUR/REVERB AXS QTY 1
10	00.3018.117.000	SRAM ETAP/AXS BATTERY CHARGER AND CORD
11	11.7518.104.022	REAR DERAILLEUR FRAME SLEEVE B-BOLT QTY2 (FOR ALL TRANSMISSION T-TYPE AND RED XPLR E1 REAR DERAILLEURS)



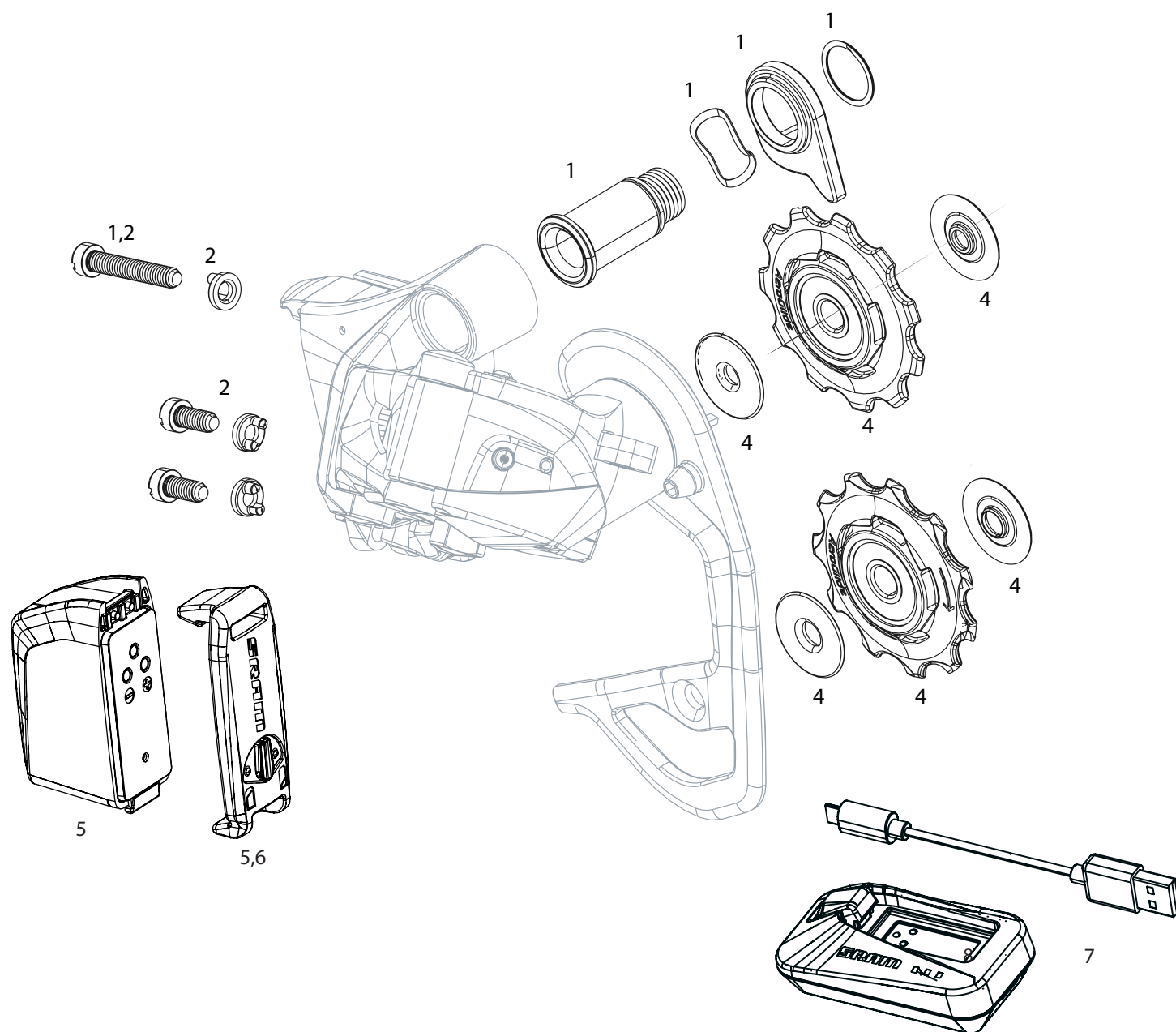


# RIVAL ETAP AXS - REAR DERAILLEUR

RD-RIV-E-D1



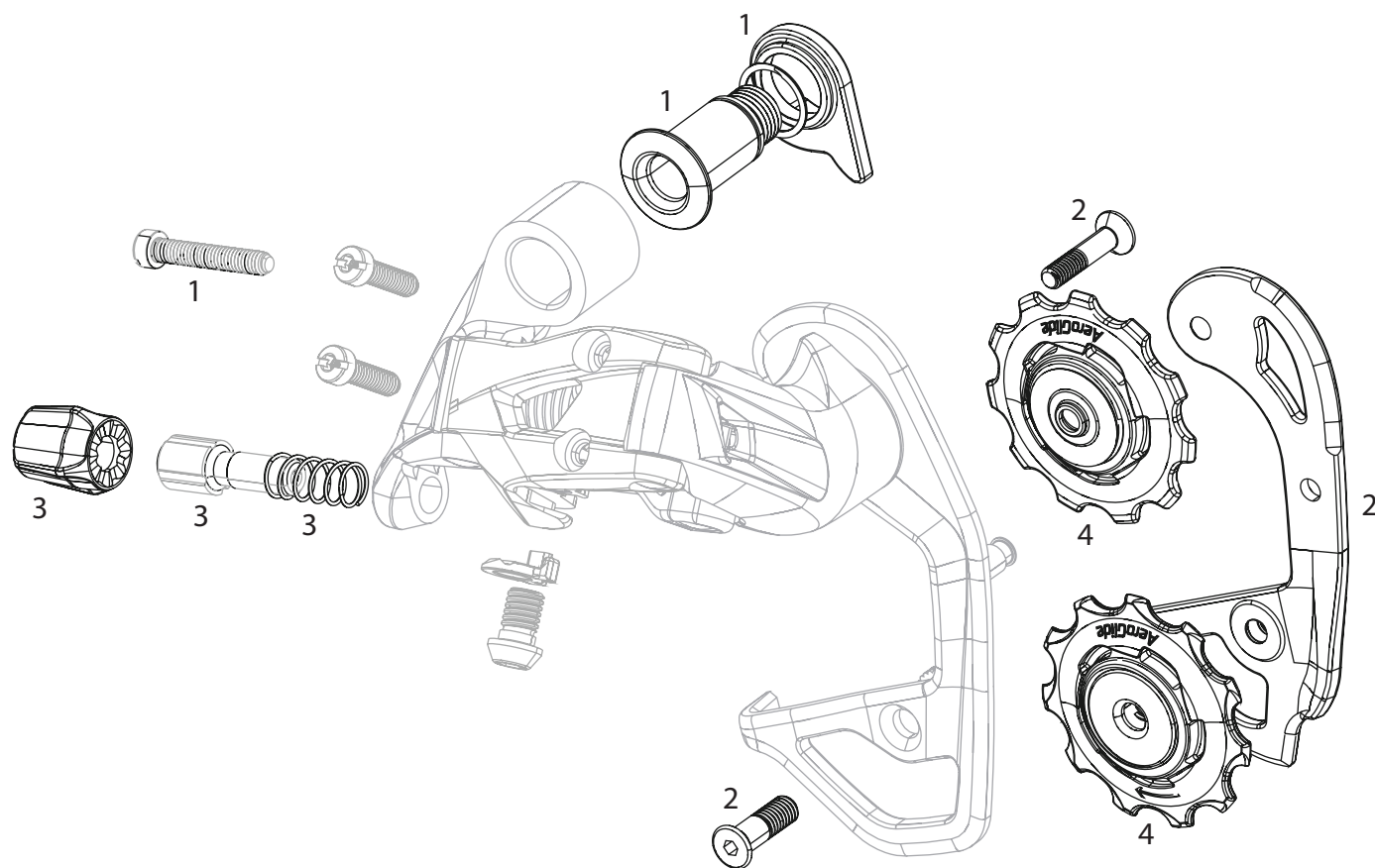
NO.	PART NUMBER	DESCRIPTION
1	11.7518.093.006	REAR DERAILLEUR INNER CAGE FORCE/RIVAL ETAP AXS INCLUDING SCREWS
2	11.7518.093.012	REAR DERAILLEUR B-BOLT / B-SCREW / LIMIT SCREWS RIVAL 36T ETAP AXS / APEX XPLR 44T ETAP AXS
3	11.7518.093.013	REAR DERAILLEUR PULLEY KIT RIVAL ETAP AXS STEEL BEARING (INCLUDES 12T UPPER AND 12T LOWER PULLEYS, 18.5MM AND 12.9MM STEEL PULLEY SCREWS)
4	11.7518.100.001	REAR DERAILLEUR CHAINGAP ADJUSTMENT GAUGE - B GAP TOOL - COMPATIBLE WITH ALL ETAP AXS CASSETTES 26T-44T
5	11.7618.008.000	BATTERY BLOCK FOR ETAP/AXS FRONT & REAR DERAILLEUR AND EAGLE AXS RD, REVERB AXS QTY 1
6	00.3018.102.000	SRAM ETAP/AXS BATTERY QTY 1
7	11.7618.006.000	ETAP BATTERY TERMINAL COVER FRONT/REAR DERAILLEUR/REVERB AXS QTY 1
8	00.3018.117.000	SRAM ETAP/AXS BATTERY CHARGER AND CORD



NO.	PART NUMBER	DESCRIPTION
1	11.7518.063.000	REAR DERAILLEUR B-BOLT/B-SCREW RED ETAP
2	11.7518.064.000	REAR DERAILLEUR LIMIT SCREWS RED ETAP
4	11.7518.066.000	RED ETAP REAR DERAILLEUR PULLEYS CERAMIC 11 SPEED
5	00.3018.102.000	SRAM ETAP/AXS BATTERY QTY 1
6	11.7618.006.000	ETAP BATTERY TERMINAL COVER FRONT/REAR DERAILLEUR/REVERB AXS QTY 1
7	00.3018.117.000	SRAM ETAP/AXS BATTERY CHARGER AND CORD
ns	11.7618.008.000	BATTERY BLOCK FOR ETAP/AXS FRONT & REAR DERAILLEUR AND EAGLE AXS RD, REVERB AXS QTY 1

# SRAM RED 22 - REAR DERAILLEUR

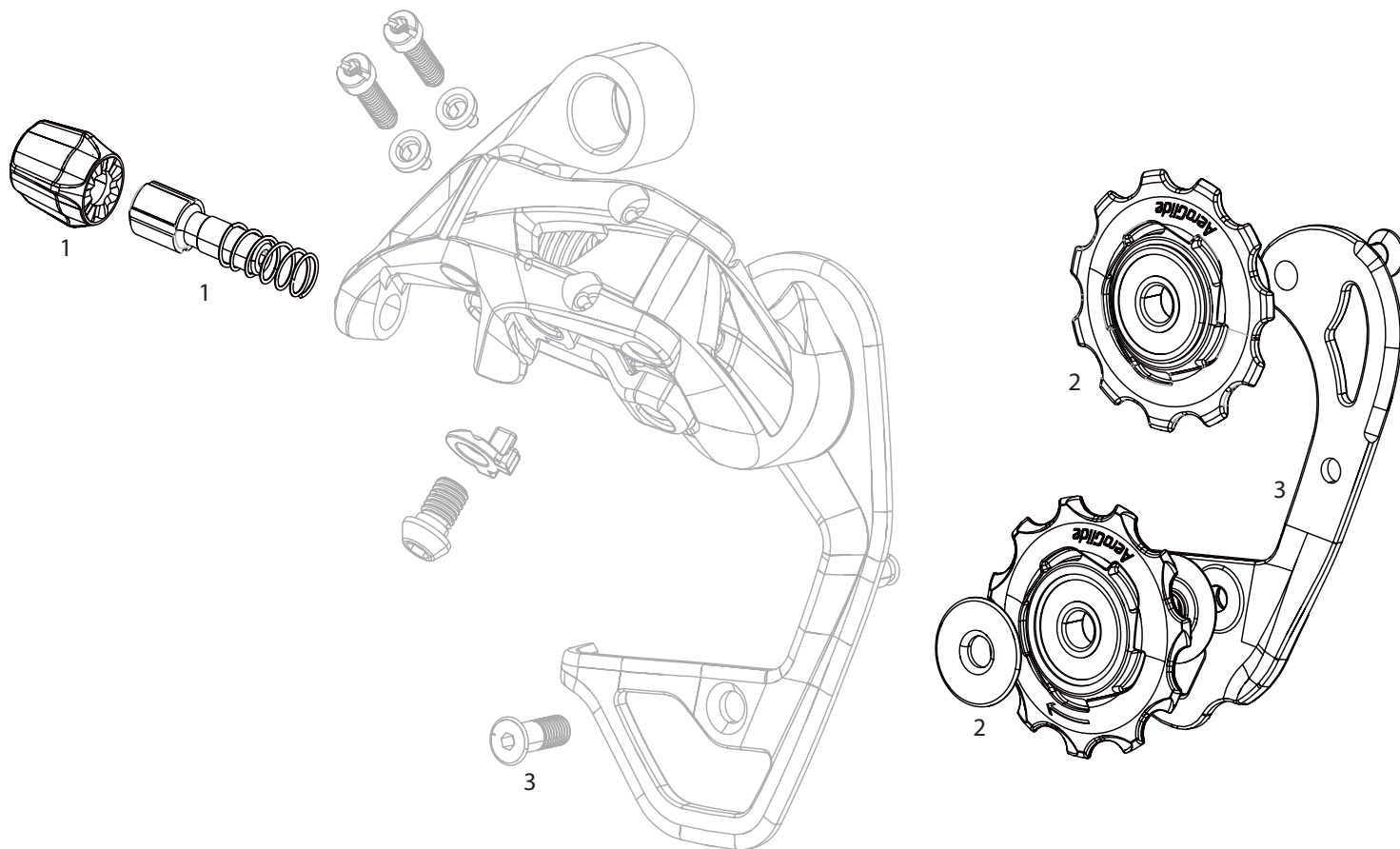
RD-RED-C2 / RD-RED-C1



NO.	PART NUMBER	DESCRIPTION
1	11.7518.020.000	REAR DERAILLEUR B-BOLT/B-SCREW KIT RED22
2	11.7518.013.001	REAR DERAILLEUR INNER CAGE WITH MOUNTING BOLTS RED 13/22
3	11.7518.002.000	REAR DERAILLEUR BARREL ADJUSTER RED 13/22 FORCE22 AERO GLIDE
4	00.7518.014.000	BLACKBOX CERAMIC BEARING PULLEYS AEROGlide ROAD

# SRAM RED 2013 - REAR DERAILLEUR

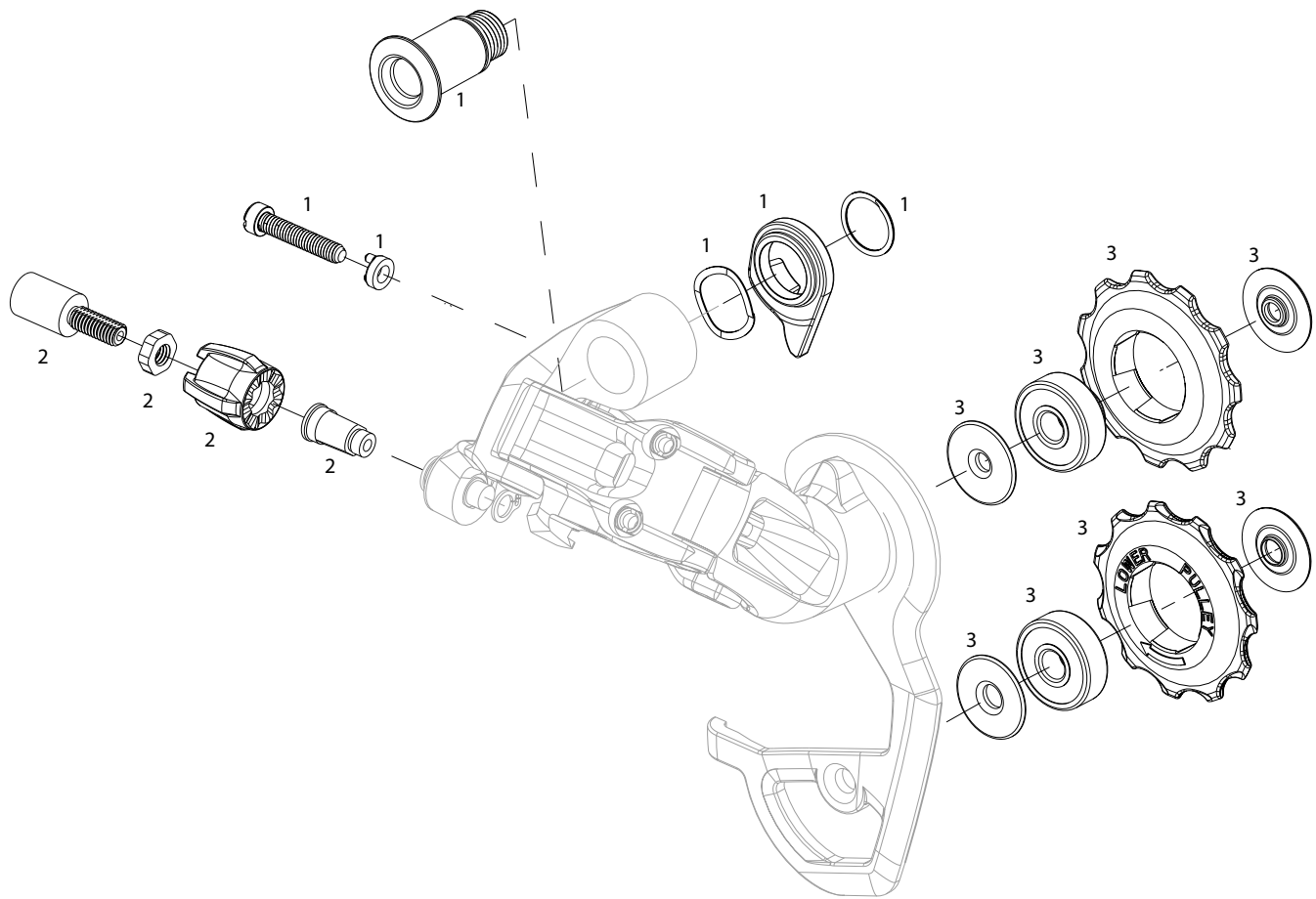
RD-RED-B1



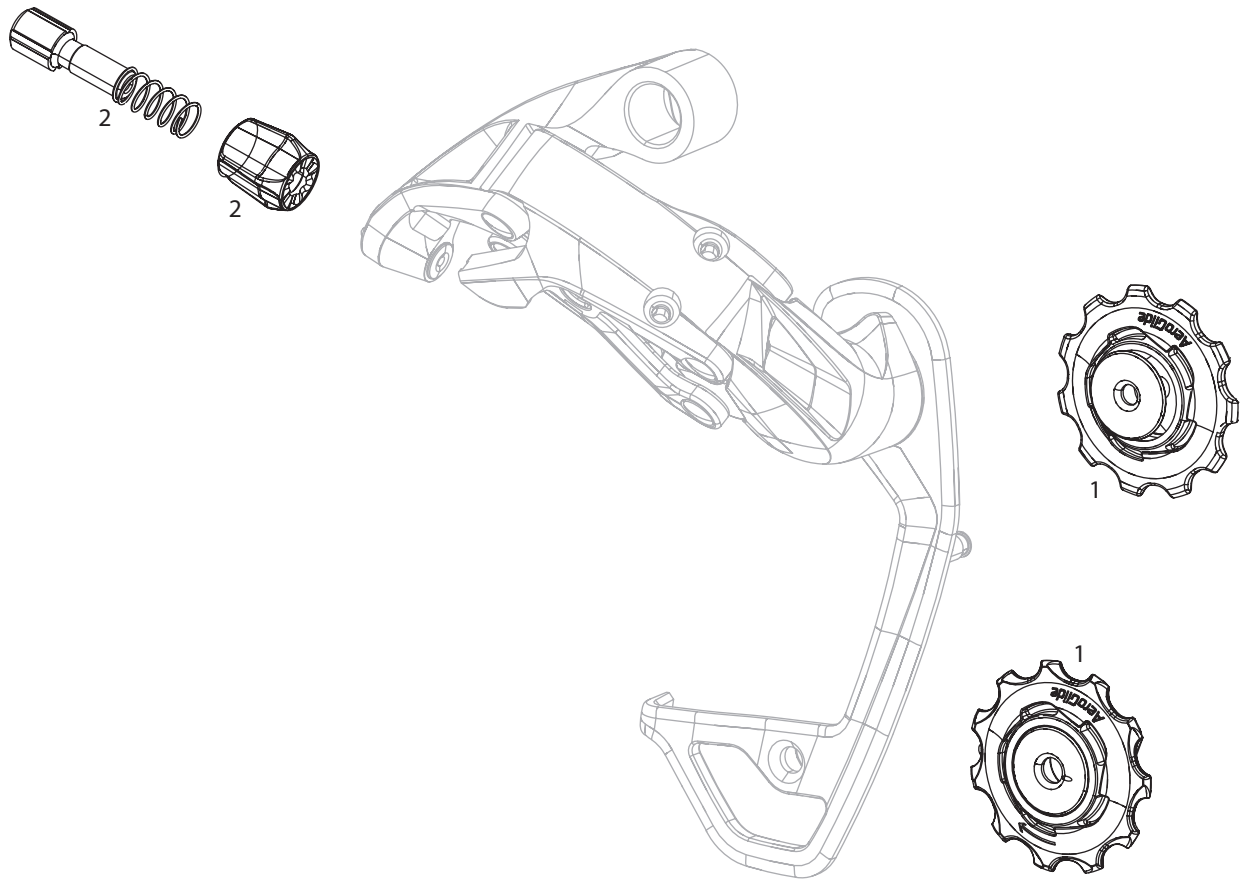
NO.	PART NUMBER	DESCRIPTION
1	11.7518.002.000	REAR DERAILLEUR BARREL ADJUSTER RED 13/22 FORCE22 AERO GLIDE
2	00.7518.014.000	BLACKBOX CERAMIC BEARING PULLEYS AEROGlide ROAD
3	11.7518.013.001	REAR DERAILLEUR INNER CAGE WITH MOUNTING BOLTS RED 13/22

# SRAM RED - REAR DERAILLEUR (2008-2011)

RD-RED-A1



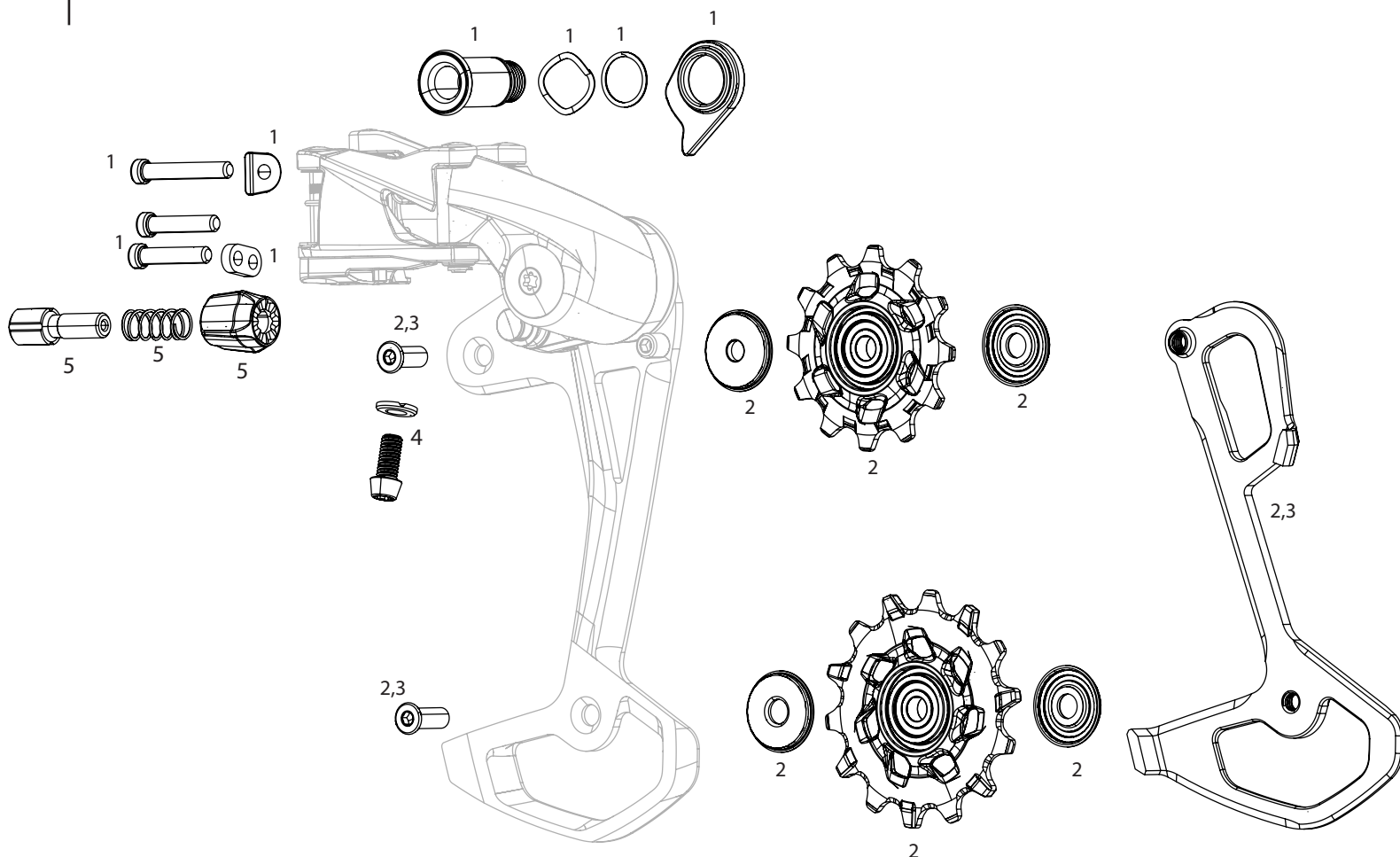
NO.	PART NUMBER	DESCRIPTION
1	11.7515.016.000	REAR DERAILLEUR B-BOLT KIT RED
2	11.7515.018.000	REAR DERAILLEUR BARREL ADJUSTER KIT RED
2	11.7515.070.000	REAR DERAILLEUR BARREL ADJUSTER KIT RED BLACK
3	00.7518.014.000	BLACKBOX CERAMIC BEARING PULLEYS AEROGLIDE ROAD



NO.	PART NUMBER	DESCRIPTION
1	11.7518.026.000	REAR DERAILLEUR PULLEY KIT FORCE22/RIVAL22
2	11.7518.002.000	REAR DERAILLEUR BARREL ADJUSTER RED 13/22 FORCE22 AERO GLIDE

# SRAM APEX XPLR & EAGLE (2023 - ) REAR DERAILLEUR

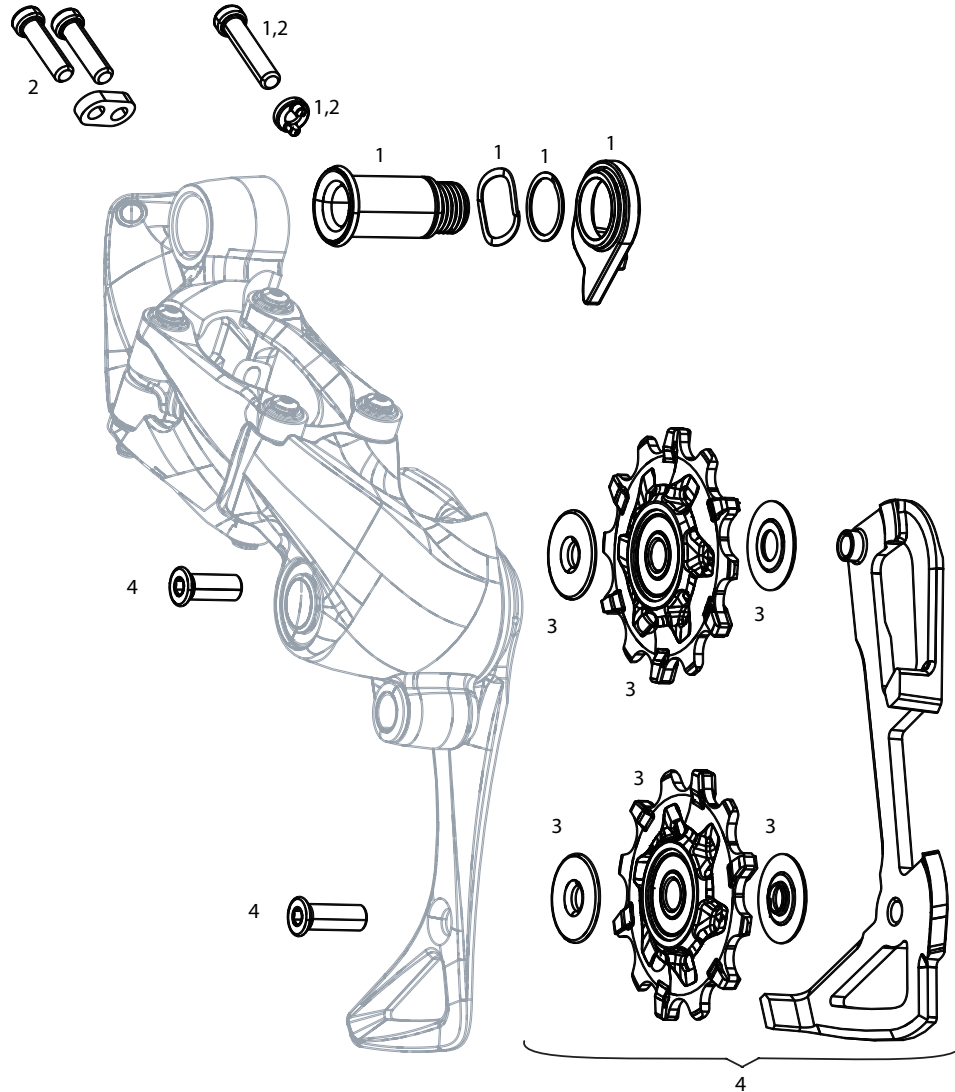
RD-APX-1-D1 / RD-APX-152-D1



NO.	PART NUMBER	DESCRIPTION
1	11.7518.108.000	REAR DERAILLEUR APEX XPLR / APEX EAGLE MECH B-BOLT AND LIMIT SCREW KIT
2	11.7518.108.001	REAR DERAILLEUR PULLEY KIT APEX XPLR MECH (INCLUDES 12T STEEL BEARING UPPER AND 14T LOWER STEEL BEARING PULLEY, 12.5MM AND 14MM BLACK PULLEY BOLTS)
2	11.7518.089.000	REAR DERAILLEUR PULLEY KIT GX EAGLE / APEX EAGLE (INCLUDES 12T UPPER AND 14T LOWER PULLEY, 12.5MM AND 14MM PULLEY BOLTS)
3	11.7518.108.002	REAR DERAILLEUR INNER CAGE APEX XPLR/EAGLE MECHANICAL INCLUDING SCREWS
4	11.7518.108.003	REAR DERAILLEUR CABLE ANCHOR BOLT AND WASHER KIT APEX XPLR / APEX EAGLE MECHANICAL
5	11.7518.108.004	REAR DERAILLEUR BARREL ADJUSTER KIT APEX XPLR / APEX EAGLE

# SRAM FORCE 1 / CX1 (2014) - REAR DERAILLEUR

RD-FRC-1-A1 / RD-FRC-1-A2

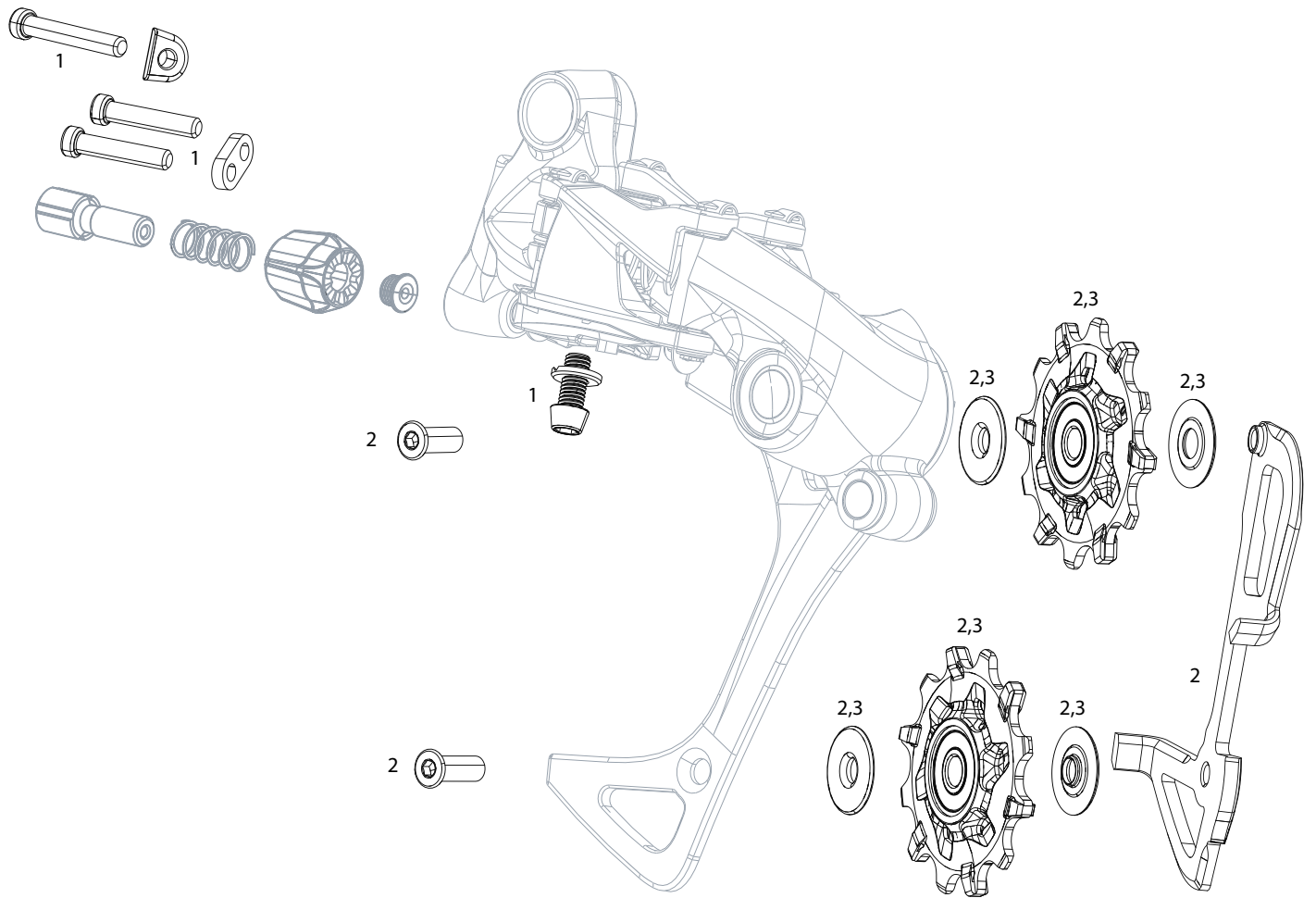


NO.	PART NUMBER	DESCRIPTION
1	11.7518.039.000	REAR DERAILLEUR B-BOLT KIT FORCE 1
2	11.7518.034.000	REAR DERAILLEUR B-SCREW AND LIMIT SCREW KIT X01/X01DH
3	11.7518.032.000	REAR DERAILLEUR PULLEY KIT X01/X01DH/X1/FORCE 1 X-SYNC
4	11.7518.059.000	REAR DERAILLEUR PULLEY AND INNER CAGE KIT GX 1X11/FORCE1/RIVAL1 TYPE 2.1 (MEDIUM/LONG CAGE)



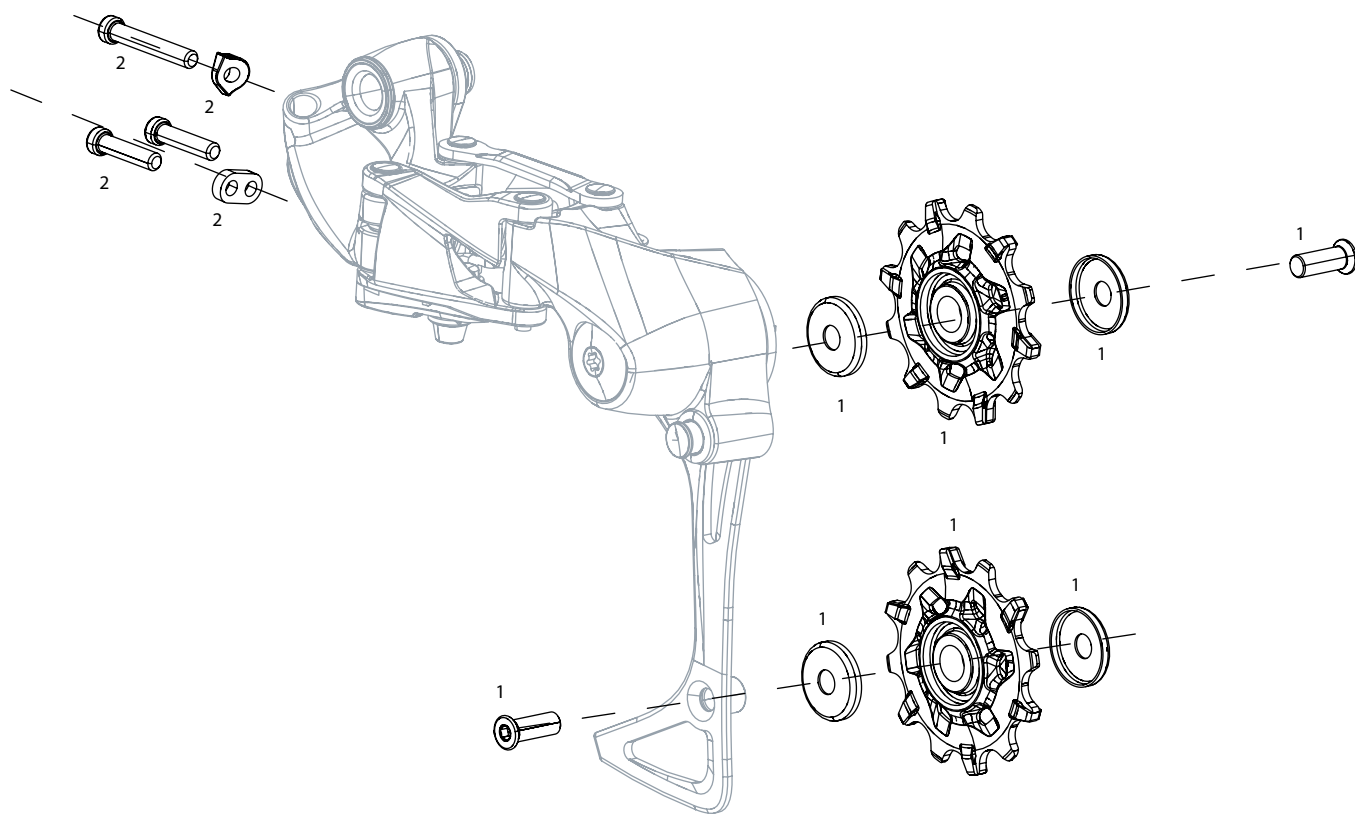
# SRAM RIVAL 1 - REAR DERAILLEUR

RD-RIV-1-A1 / RD-RIV-1-A2



NO.	PART NUMBER	DESCRIPTION
1	11.7518.061.000	REAR DERAILLEUR B-ADJUST AND LIMIT SCREW KIT RIVAL1
2	11.7518.059.000	REAR DERAILLEUR PULLEY AND INNER CAGE KIT GX 1X11/FORCE1/RIVAL1 TYPE 2.1 (MEDIUM/LONG CAGE)
3	11.7518.032.000	REAR DERAILLEUR PULLEY KIT X01/X01DH/X1/FORCE 1 X-SYNC

SRAM APEX 1 / NX - REAR DERAILLEUR  
RD-APX-1-A1 / RD-NX-1-A1

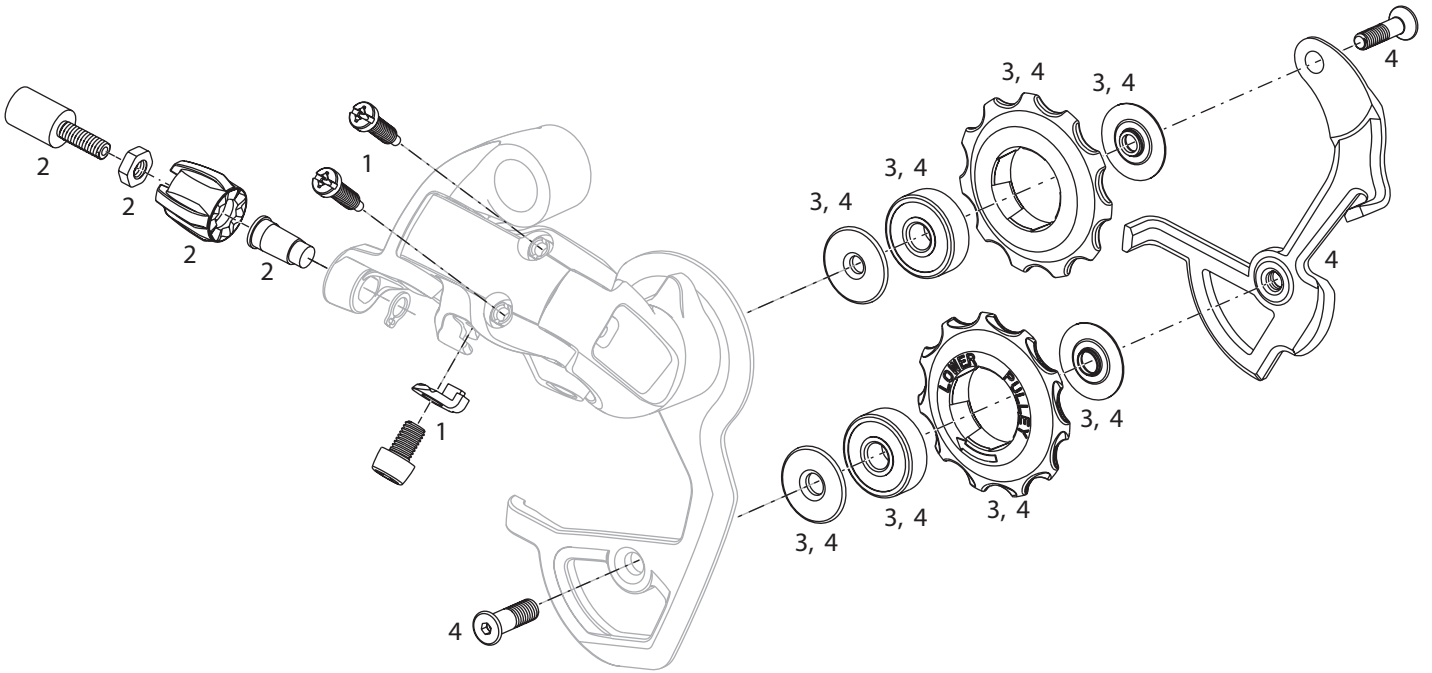


NO.	PART NUMBER	DESCRIPTION
1	11.7518.072.000	REAR DERAILLEUR PULLEY KIT APEX1/NX 11 SPEED
2	11.7518.067.000	REAR DERAILLEUR B-ADJUST AND LIMIT SCREW KIT NX 1X11

SRAM FORCE / RIVAL / APEX - REAR DERAILLEUR (2007-2012)



RD-FRC-A1 / RD-RIV-A1 / RD-APX-A1

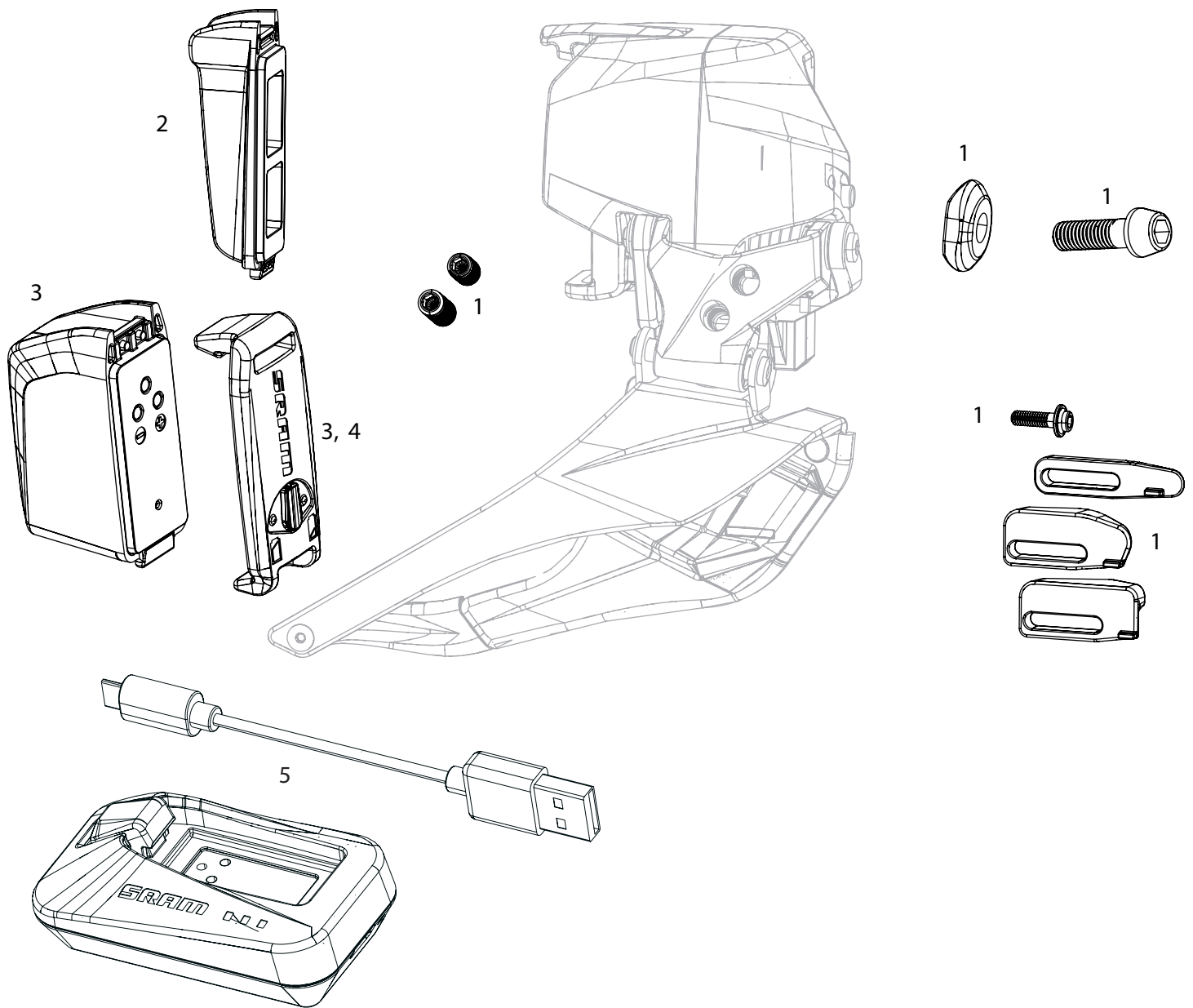


NO.	PART NUMBER	DESCRIPTION
1	11.7515.001.000	REAR DERAILLEUR CABLE ANCHOR/LIMIT SCREW RIVAL
2	11.7515.005.000	REAR DERAILLEUR BARREL ADJUSTER KIT APEX/RIVAL/FORCE
3	11.7515.060.000	REAR DERAILLEUR PULLEY KIT FORCE RIVAL APEX
4	11.7515.033.040	REAR DERAILLEUR PULLEY AND INNER MEDIUM CAGE RIVAL



# RED / FORCE / RIVAL ETAP AXS - FRONT DERAILLEUR

FD-RED-E-D1 / FD-FRC-E-D1 / FD-FRC-EW-D1 / FD-RIV-E-D1 / FD-RIV-EW-D1

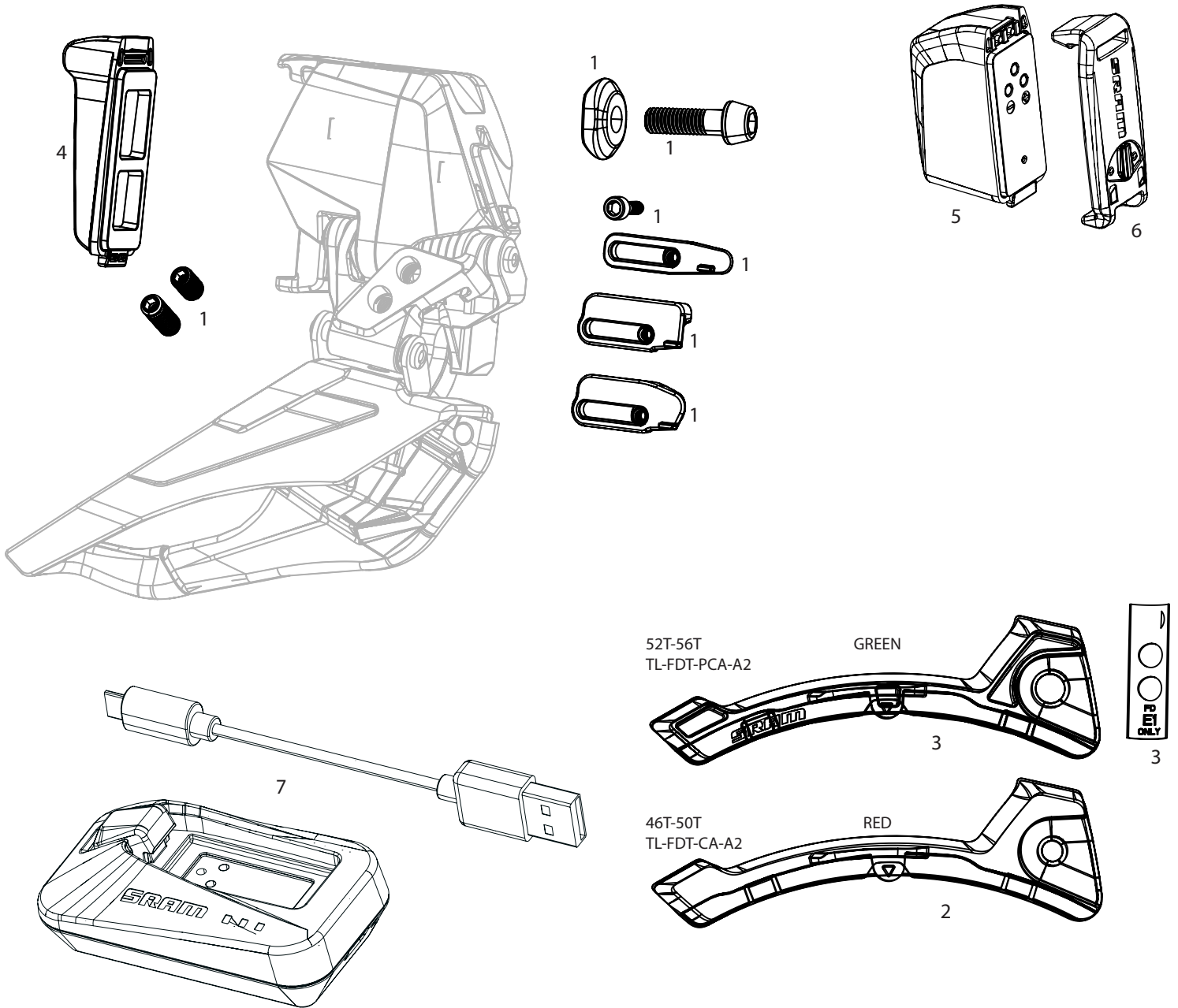


NO.	PART NUMBER	DESCRIPTION
1	11.7618.007.000	FRONT DERAILLEUR SPARE PARTS KIT RED ETAP AXS
1	11.7618.007.001	FRONT DERAILLEUR SPARE PARTS KIT FORCE ETAP AXS
1	11.7618.007.002	FRONT DERAILLEUR SPARE PARTS KIT FORCE WIDE ETAP AXS
2	11.7618.008.000	BATTERY BLOCK FOR ETAP/AXS FRONT & REAR DERAILLEUR AND EAGLE AXS RD, REVERB AXS QTY 1
3	00.3018.102.000	SRAM ETAP/AXS BATTERY QTY 1
4	11.7618.006.000	ETAP BATTERY TERMINAL COVER FRONT/REAR DERAILLEUR/REVERB AXS QTY 1
5	00.3018.117.000	SRAM ETAP/AXS BATTERY CHARGER AND CORD



# RED AXS - FRONT DERAILLEUR

FD-RED-E-E1

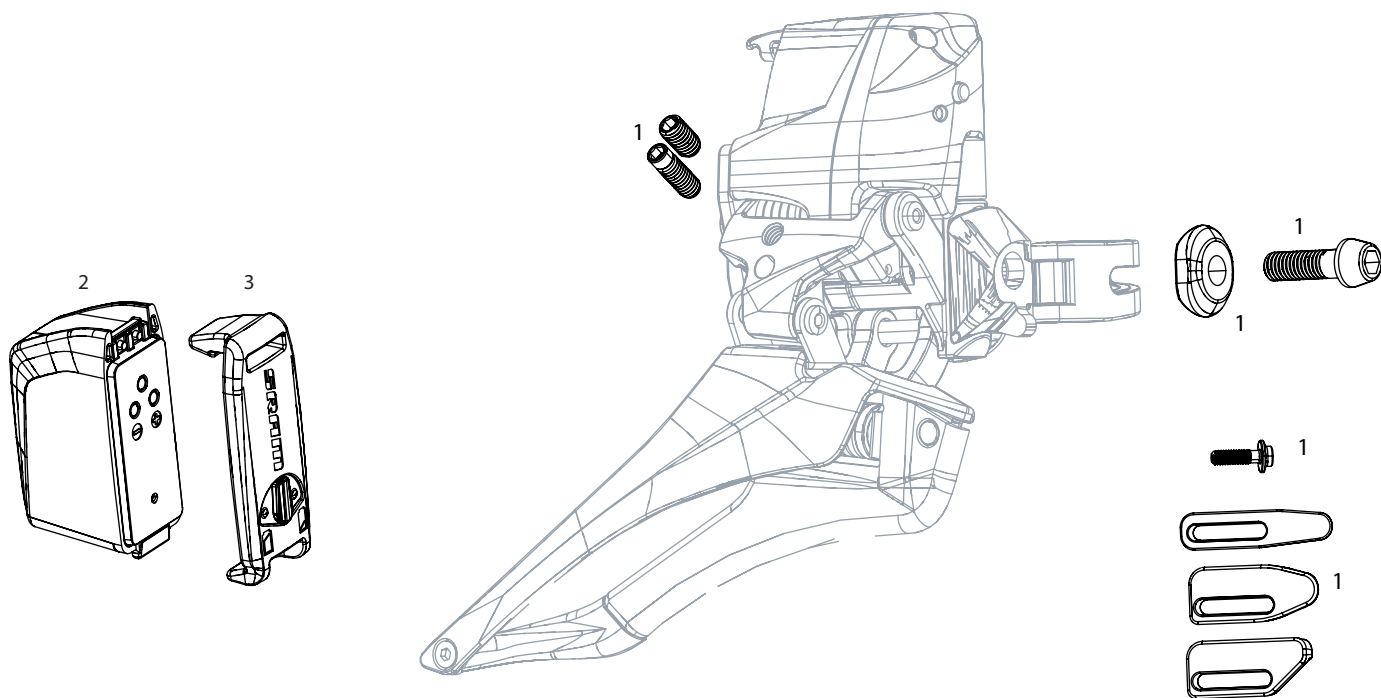


NO.	PART NUMBER	DESCRIPTION
1	11.7618.007.003	FRONT DERAILLEUR SPARE PARTS KIT RED AXS (INCLUDES LIMIT SCREWS, WEDGES STANDARD, THIN, LARGE AND FIXATION BOLT WITH WASHER)
2	00.7618.179.000	Front derailleur RED AXS 46T-50T set up tool
3	00.7618.181.000	Front derailleur RED AXS 52T-56T set up tool (including 0.7 shim)
4	11.7618.008.000	BATTERY BLOCK FOR ETAP/AXS FRONT & REAR DERAILLEUR AND EAGLE AXS RD, REVERB AXS QTY 1
5	00.3018.102.000	SRAM ETAP/AXS BATTERY QTY 1
6	11.7618.006.000	ETAP BATTERY TERMINAL COVER FRONT/REAR DERAILLEUR/REVERB AXS QTY 1
7	00.3018.117.000	SRAM ETAP/AXS BATTERY CHARGER AND CORD

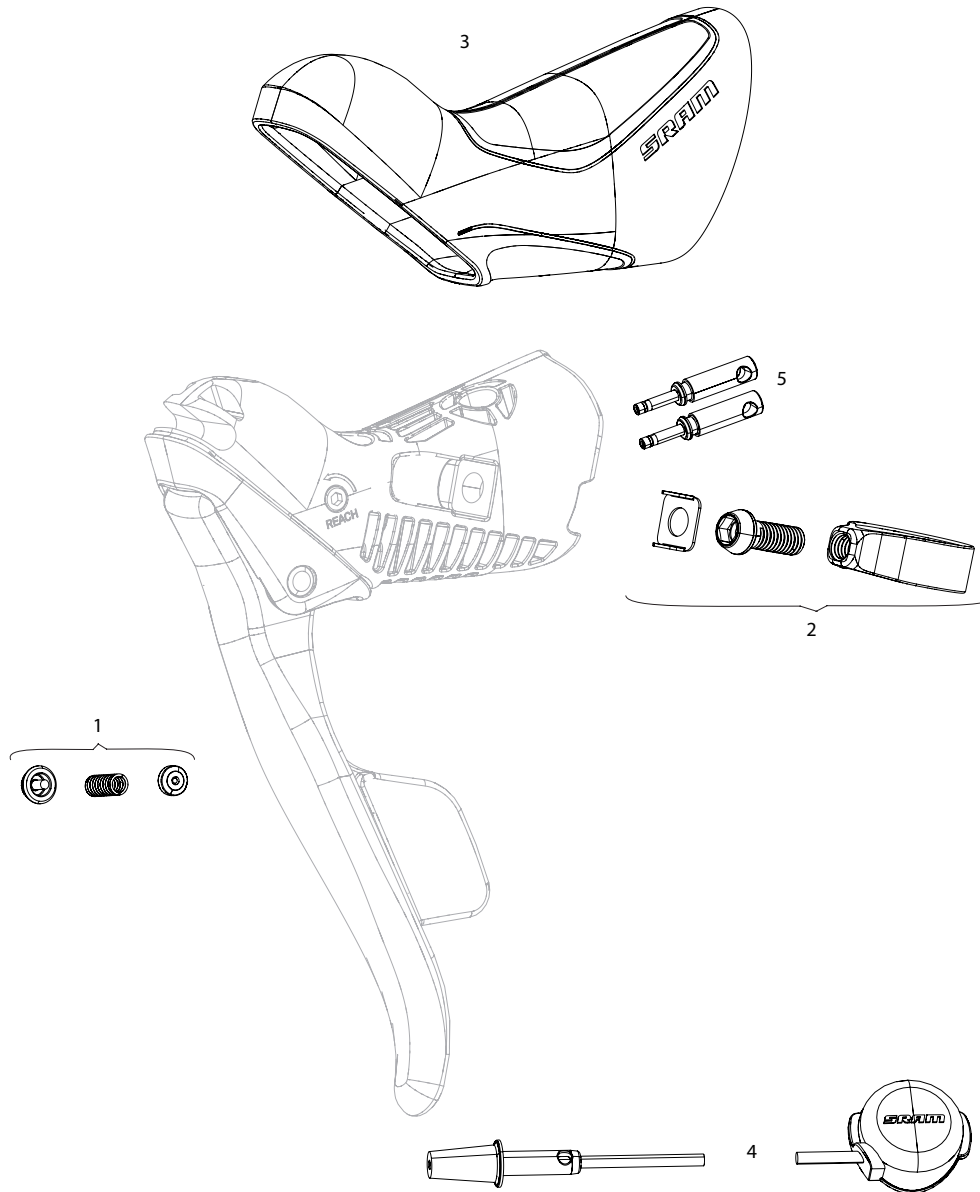


# SRAM RED ETAP - FRONT DERAILLEUR

FD-RED-E-A1



NO.	PART NUMBER	DESCRIPTION
1	11.7618.004.000	FRONT DERAILLEUR SPARE PARTS KIT RED ETAP
2	00.3018.102.000	SRAM ETAP/AXS BATTERY QTY 1
3	11.7618.006.000	ETAP BATTERY TERMINAL COVER FRONT/REAR DERAILLEUR/REVERB AXS QTY 1
ns	00.3018.117.000	SRAM ETAP/AXS BATTERY CHARGER AND CORD
ns	11.7618.000.000	Braze-on Adaptor 34.9 with Chainspotter Stop Black
ns	11.7618.000.001	Braze-on Adaptor 31.8 with Chainspotter Stop Black
ns	11.7618.000.002	Braze-on Adaptor Wide Spacing (47.5 Chainline) 34.9 with Chainspotter Stop
ns	11.7618.000.003	Braze-on Adaptor Wide Spacing (47.5 Chainline) 31.8 with Chainspotter Stop

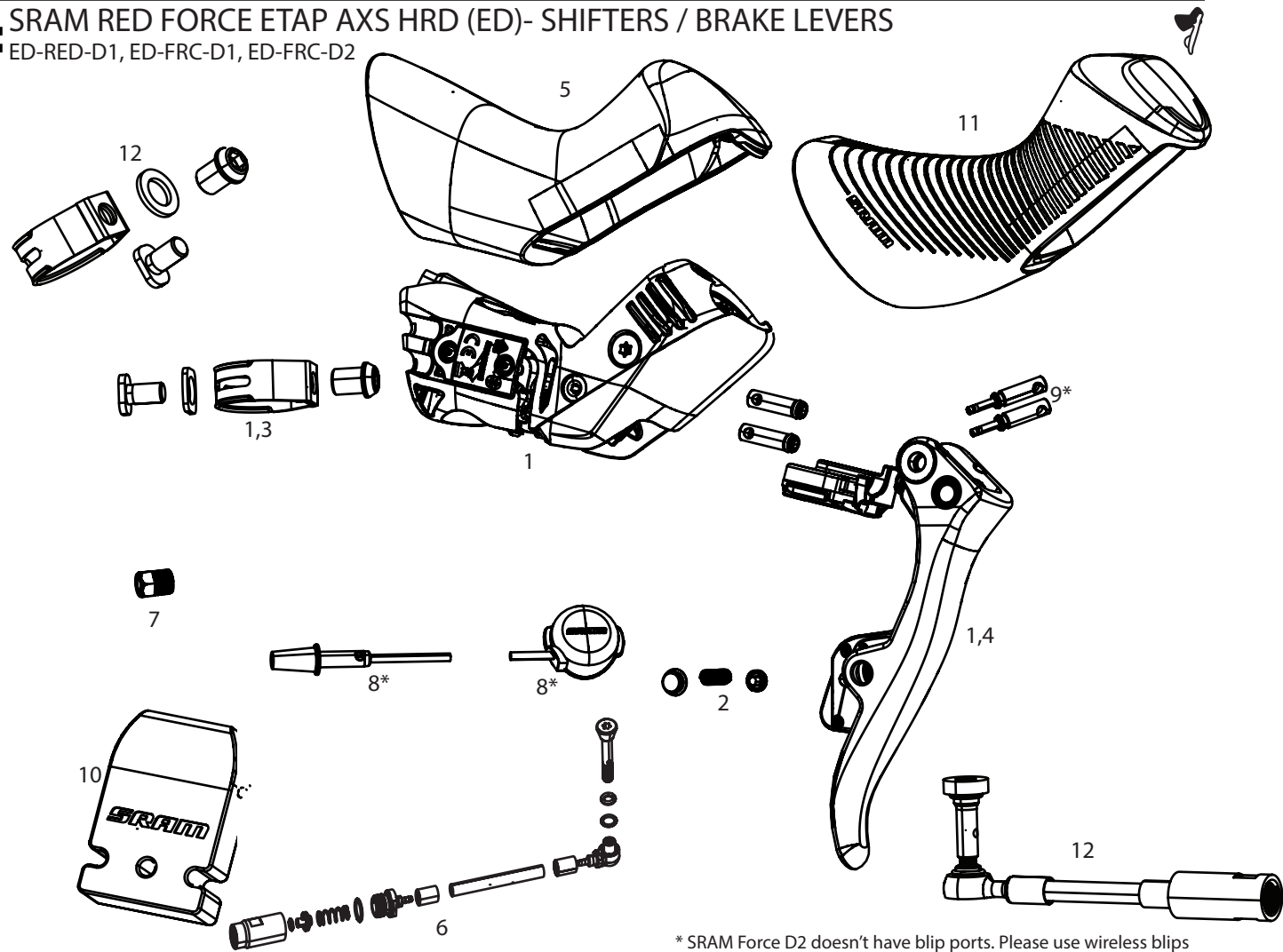


NO.	PART NUMBER	DESCRIPTION
1	11.7018.077.000	SHIFTER SPRING KIT FORCE RED ETAP AXS QTY 1
2	11.7018.080.000	SHIFTER CLAMP KIT ELECTRONIC SHIFTER RIM BRAKE (EB) RED FORCE ETAP AXS PAIR
3	00.7918.084.000	HOOD COVER SRAM RED/FORCE ETAP AXS EB BLACK, PAIR
4	00.7018.210.000	BLIP FOR ETAP 150MM BLACK QTY 2
4	00.7018.210.001	BLIP FOR ETAP 230MM BLACK QTY 2
4	00.7018.210.002	BLIP FOR ETAP 450MM BLACK QTY 2
4	00.7018.210.003	BLIP FOR ETAP 650MM BLACK QTY 2
5	11.7018.049.000	SHIFTER BRAKE AND BLIP BOX DUMMY PLUGS ETAP QTY 2



# SRAM RED FORCE ETAP AXS HRD (ED)- SHIFTERS / BRAKE LEVERS

ED-RED-D1, ED-FRC-D1, ED-FRC-D2



\* SRAM Force D2 doesn't have blip ports. Please use wireless blips

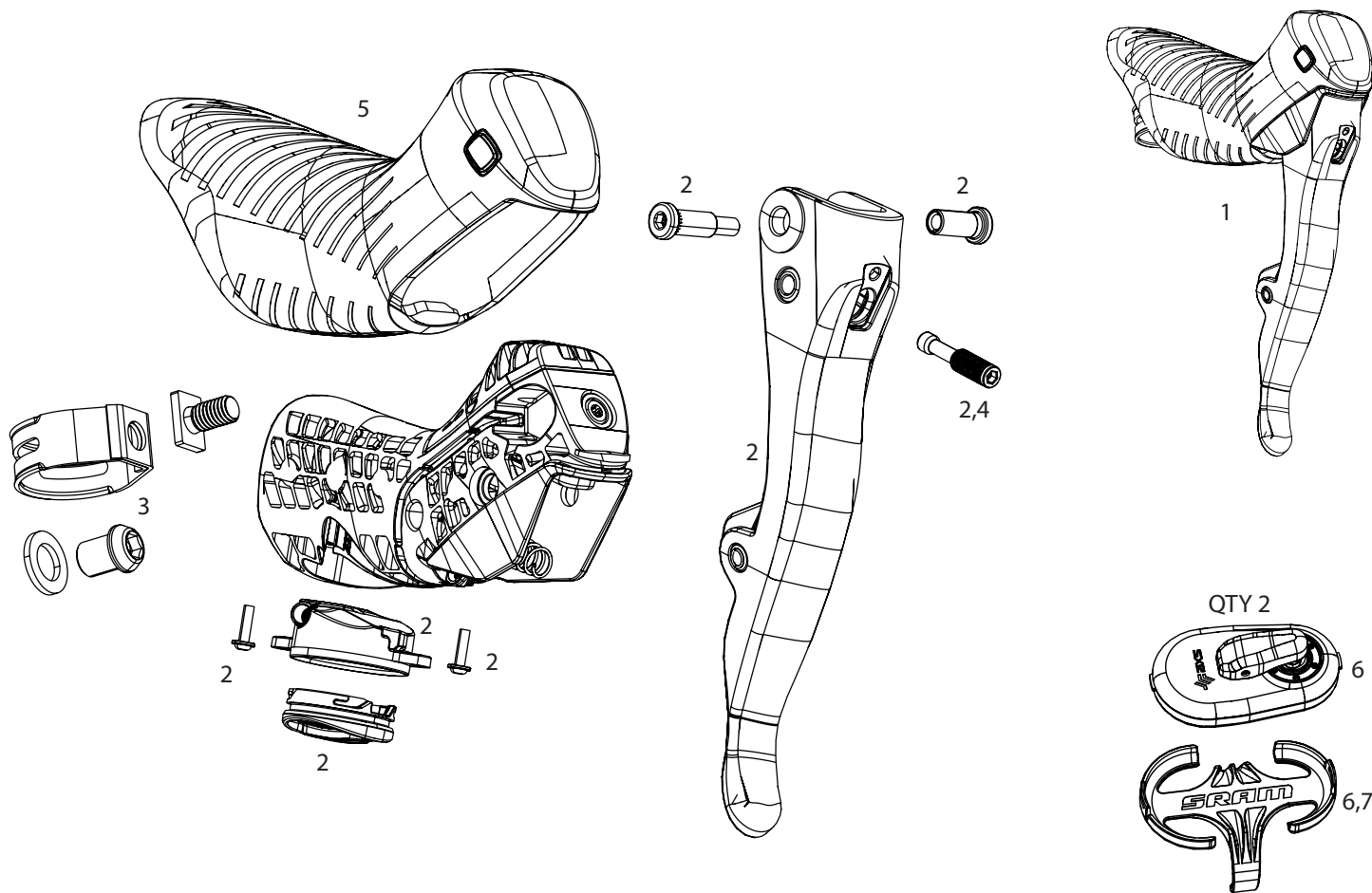
NO.	PART NUMBER	DESCRIPTION
1	11.7018.078.000	ED EXCHANGE KIT SHIFTER AND BRAKE RED ETAP AXS DISC LEFT (INCLUDING HOOD)
1	11.7018.078.001	ED EXCHANGE KIT SHIFTER AND BRAKE RED ETAP AXS DISC RIGHT (INCLUDING HOOD)
1	11.7018.078.002	ED EXCHANGE KIT SHIFTER AND BRAKE FORCE ETAP D1 AXS DISC LEFT (INCLUDING HOOD)
1	11.7018.078.003	ED EXCHANGE KIT SHIFTER AND BRAKE FORCE ETAP D1 AXS DISC RIGHT (INCLUDING HOOD)
1	11.7018.078.008	ED EXCHANGE KIT SHIFTER AND BRAKE FORCE ETAP D2 AXS DISC LEFT - UNICORN GREY W/LASER FOIL (INCLUDING HOOD)
1	11.7018.078.009	ED EXCHANGE KIT SHIFTER AND BRAKE FORCE ETAP D2 AXS DISC RIGHT - UNICORN GREY W/LASER FOIL (INCLUDING HOOD)
2	11.7018.077.000	SHIFTER SPRING KIT FORCE RED ETAP AXS QTY 1
3	11.7018.079.000	SHIFTER CLAMP KIT SHIFTER DISC BRAKE RED FORCE ETAP AXS ED / APEX SD DB MECHANICAL - PAIR
ns	11.7018.079.001	SHIFTER CLAMP KIT ELECTRONIC SHIFTER DISC BRAKE (ED) RIVAL ETAP / FORCE D2 AXS / APEX ED PAIR
4	11.7018.081.000	ED BRAKE LEVER ASSEMBLY (PADDLE AND ELEC POD) RED ETAP D1 AXS DISC LEFT
4	11.7018.081.001	ED BRAKE LEVER ASSEMBLY (PADDLE AND ELEC POD) RED ETAP D1 AXS DISC RIGHT
4	11.7018.082.000	ED BRAKE LEVER ASSEMBLY (PADDLE AND ELEC POD) FORCE ETAP D1 AXS DISC LEFT
4	11.7018.082.001	ED BRAKE LEVER ASSEMBLY (PADDLE AND ELEC POD) FORCE ETAP D1 AXS DISC RIGHT
4	11.7018.082.004	ED BRAKE LEVER ASSEMBLY (PADDLE AND ELEC POD) FORCE ETAP D2 AXS DISC LEFT - UNICORN GREY W/LASER FOIL
4	11.7018.082.005	ED BRAKE LEVER ASSEMBLY (PADDLE AND ELEC POD) FORCE ETAP D2 AXS DISC RIGHT - UNICORN GREY W/LASER FOIL
5	00.7918.083.000	HOOD COVER SRAM RED/FORCE ETAP AXS HYDRAULIC ROAD LEVERS BLACK, PAIR
6	11.5018.042.000	DISC BRAKE HOSE HOOD ASSEMBLY - ETAP HRD STEALTH-A-MAJIG,
7	11.7018.073.000	SHIFTER BRAKE ETAP HRD COMPRESSION HOSE NUT, QTY 5
8	00.7018.210.000	BLIP FOR ETAP 150MM BLACK QTY 2
8	00.7018.210.001	BLIP FOR ETAP 230MM BLACK QTY 2
8	00.7018.210.002	BLIP FOR ETAP 450MM BLACK QTY 2
8	00.7018.210.003	BLIP FOR ETAP 650MM BLACK QTY 2
9	11.7018.049.000	SHIFTER BRAKE AND BLIP BOX DUMMY PLUGS ETAP QTY 2
10	11.5018.059.001	DISC BRAKE BLEED BLOCK - LEVEL ULTIMATE/TLM (B1)/ETAP AXS/FORCE AXS/RED AXS
11	00.7918.083.001	HOOD COVER SRAM RIVAL / FORCE D2 AXS HYDRAULIC ROAD LEVERS BLACK, PAIR
12	11.5018.064.000	DISC BRAKE HOSE HOOD ASSEMBLY - RIVAL FORCE D2 APEX ETAP AXS HRD STEALTH-A-MAJIG



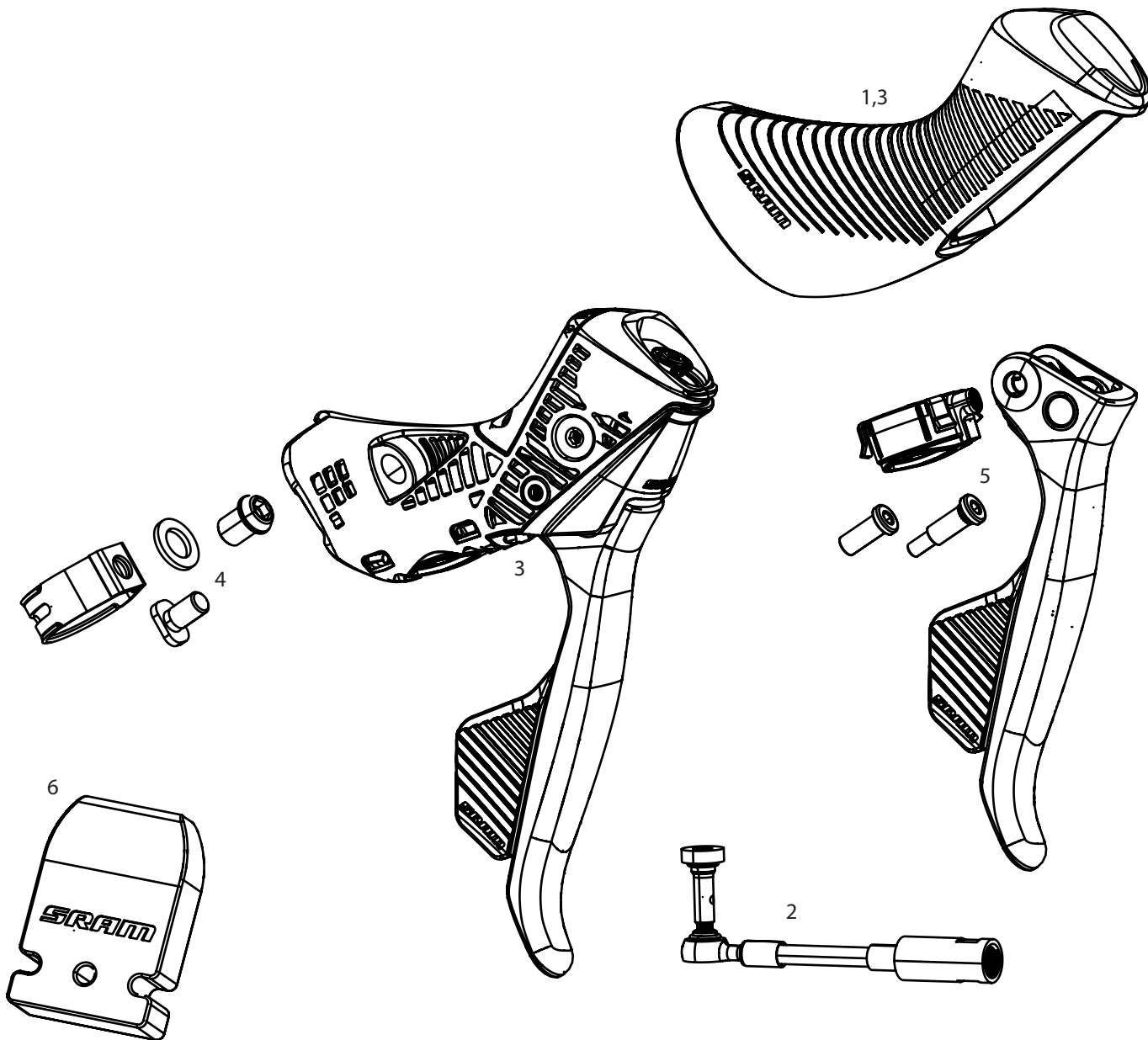


# SRAM RED AXS (ED)- SHIFTERS / BRAKE LEVERS

ED-RED-E1



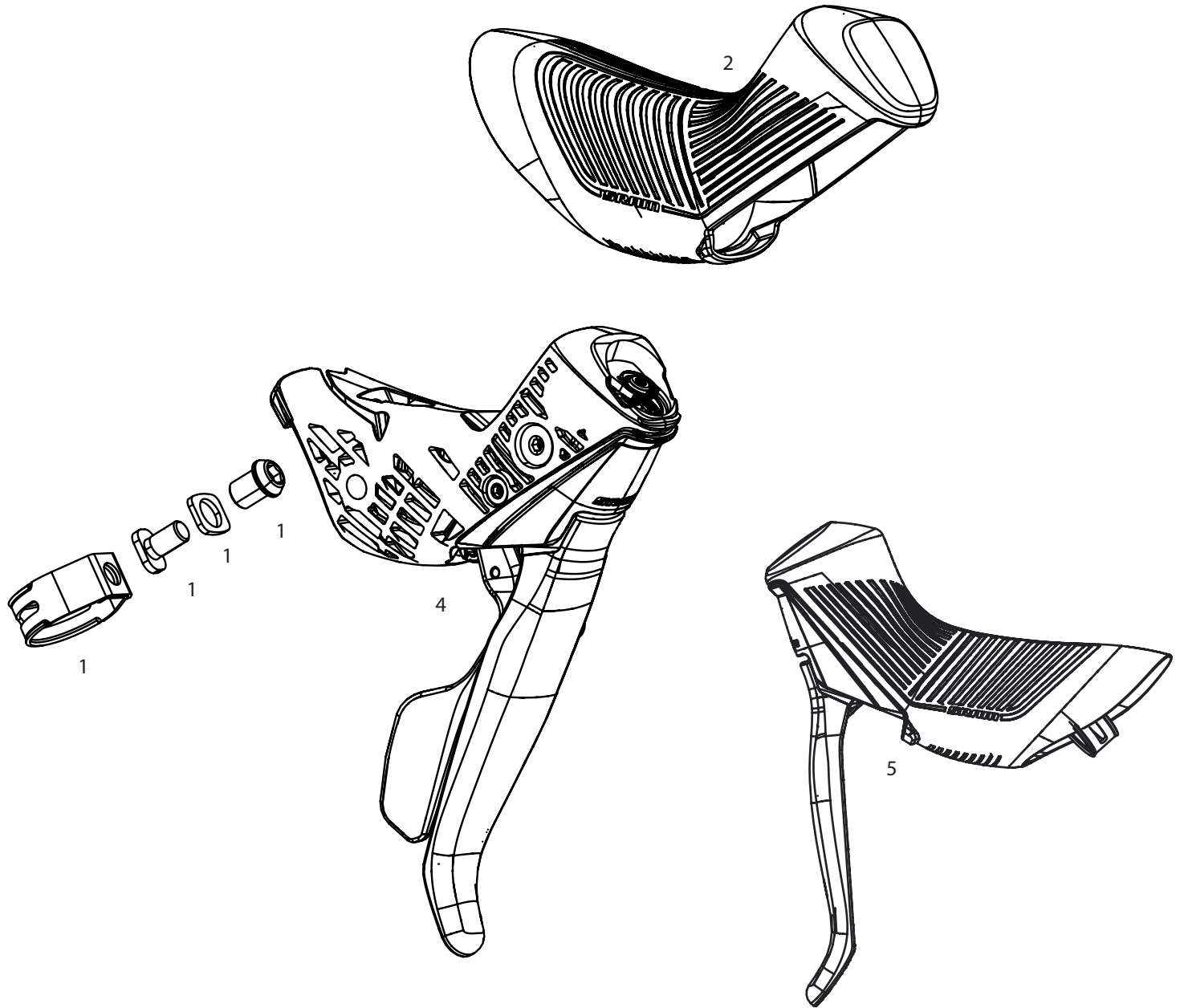
NO.	PART NUMBER	DESCRIPTION
1	11.7018.078.012	ED EXCHANGE KIT SHIFTER AND BRAKE RED E1 AXS DISC LEFT (INCLUDING HOOD)
1	11.7018.078.013	ED EXCHANGE KIT SHIFTER AND BRAKE RED E1 AXS DISC RIGHT (INCLUDING HOOD)
2	11.7018.081.004	ED BRAKE LEVER ASSEMBLY (PADDLE AND ELEC POD) RED E1 AXS DISC LEFT
2	11.7018.081.005	ED BRAKE LEVER ASSEMBLY (PADDLE AND ELEC POD) RED E1 AXS DISC RIGHT
3	11.7018.079.001	SHIFTER CLAMP KIT ELECTRONIC SHIFTER DISC BRAKE (ED) RIVAL ETAP / FORCE D2 AXS / APEX ED / RED E1 PAIR
4	11.7018.090.000	ED PUSHROD KIT RED E1 QTY2
5	00.7918.083.002	HOOD COVER SRAM RED E1 AXS HYDRAULIC ROAD LEVERS BLACK, PAIR
6	00.3018.301.000	Wireless Blips for AXS Black Qty 2
7	11.3018.016.000	EC BLIP WIRELESS MOUNTING SPARE KIT (2 BRACKETS, 2 PLASTIC SLEEVES, TAPE)



NO.	PART NUMBER	DESCRIPTION
1	00.7918.083.001	HOOD COVER SRAM RIVAL / FORCE D2 AXS HYDRAULIC ROAD LEVERS BLACK, PAIR
2	11.5018.064.000	DISC BRAKE HOSE HOOD ASSEMBLY - RIVAL FORCE D2 APEX ETAP AXS HRD STEALTH-A-MAJIG
3	11.7018.078.004	ED EXCHANGE KIT SHIFTER AND BRAKE RIVAL ETAP AXS DISC LEFT (INCLUDING HOOD)
3	11.7018.078.005	ED EXCHANGE KIT SHIFTER AND BRAKE RIVAL ETAP AXS DISC RIGHT (INCLUDING HOOD)
3	11.7018.078.010	ED EXCHANGE KIT SHIFTER AND BRAKE APEX ETAP AXS DISC LEFT (INCLUDING HOOD)
3	11.7018.078.011	ED EXCHANGE KIT SHIFTER AND BRAKE APEX ETAP AXS DISC RIGHT (INCLUDING HOOD)
4	11.7018.079.001	SHIFTER CLAMP KIT ELECTRONIC SHIFTER DISC BRAKE (ED) RIVAL ETAP / FORCE D2 AXS / APEX ED PAIR
5	11.7018.082.002	ED BRAKE LEVER ASSEMBLY (PADDLE AND ELEC POD) RIVAL ETAP AXS DISC LEFT
5	11.7018.082.003	ED BRAKE LEVER ASSEMBLY (PADDLE AND ELEC POD) RIVAL ETAP AXS DISC RIGHT
5	11.7018.082.006	ED BRAKE LEVER ASSEMBLY (PADDLE AND ELEC POD) APEX ETAP AXS DISC LEFT
5	11.7018.082.007	ED BRAKE LEVER ASSEMBLY (PADDLE AND ELEC POD) APEX ETAP AXS DISC RIGHT
6	11.5018.059.001	DISC BRAKE BLEED BLOCK - LEVEL ULTIMATE/TLM (B1)/ETAP AXS/FORCE AXS/RED AXS

# SRAM APEX mechanical (SD & DB)- SHIFTERS / BRAKE LEVERS

SD-APX-D1, DB-APX-D1

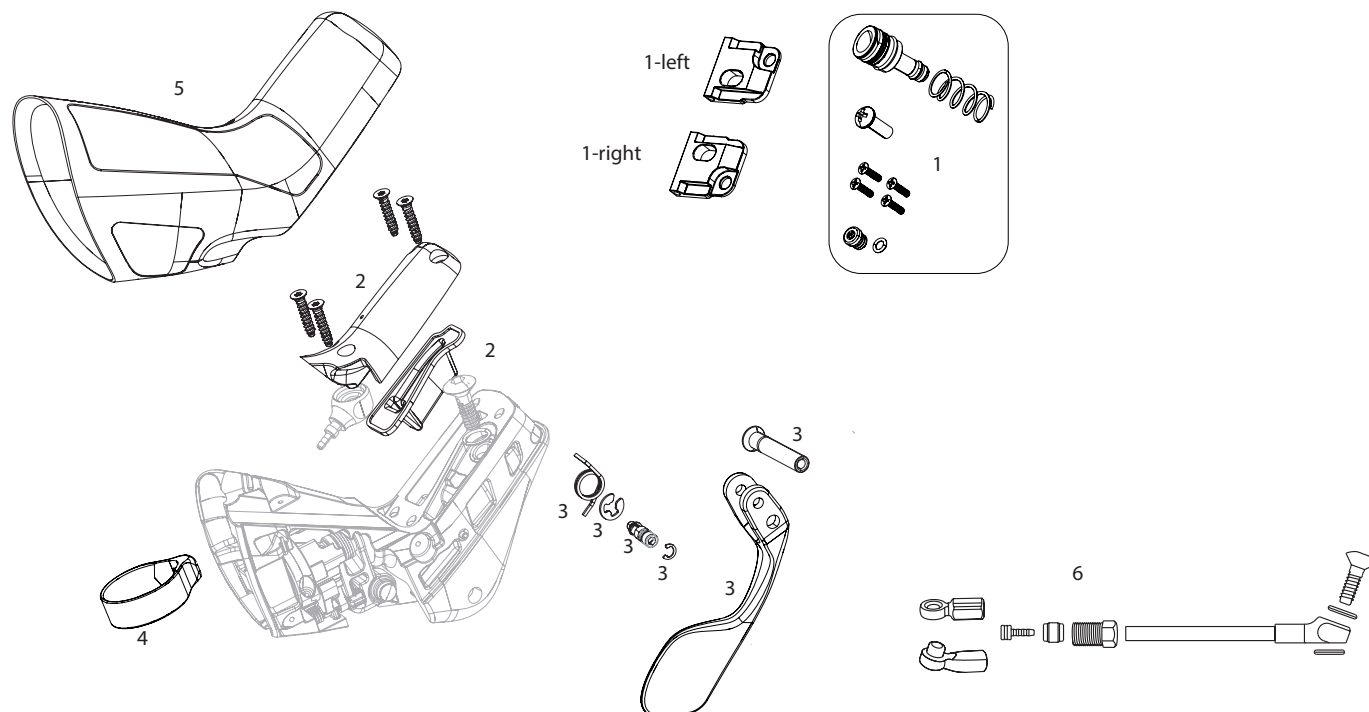


NO.	PART NUMBER	DESCRIPTION
1	11.7018.079.000	SHIFTER CLAMP KIT SHIFTER DISC BRAKE RED FORCE ETAP AXS ED / APEX SD DB MECHANICAL - PAIR
2	00.7918.326.000	HOOD COVER SET FOR APEX MECHANICAL SD AND DB BLACK, PAIR
4	11.7018.088.000	SD EXCHANGE KIT SHIFTER AND BRAKE APEX MECHANICAL DISC RIGHT (INCLUDING HOOD)
5	11.5018.073.000	DB EXCHANGE KIT BRAKE APEX DISC LEFT (INCLUDING HOOD)
ns	11.5018.059.001	DISC BRAKE BLEED BLOCK - LEVEL ULTIMATE/TLM (B1)/ETAP AXS/FORCE AXS/RED AXS

# SRAM RED 22 / FORCE 22/CX1 / RIVAL 22 / 700 - SHIFTERS / BRAKE LEVERS



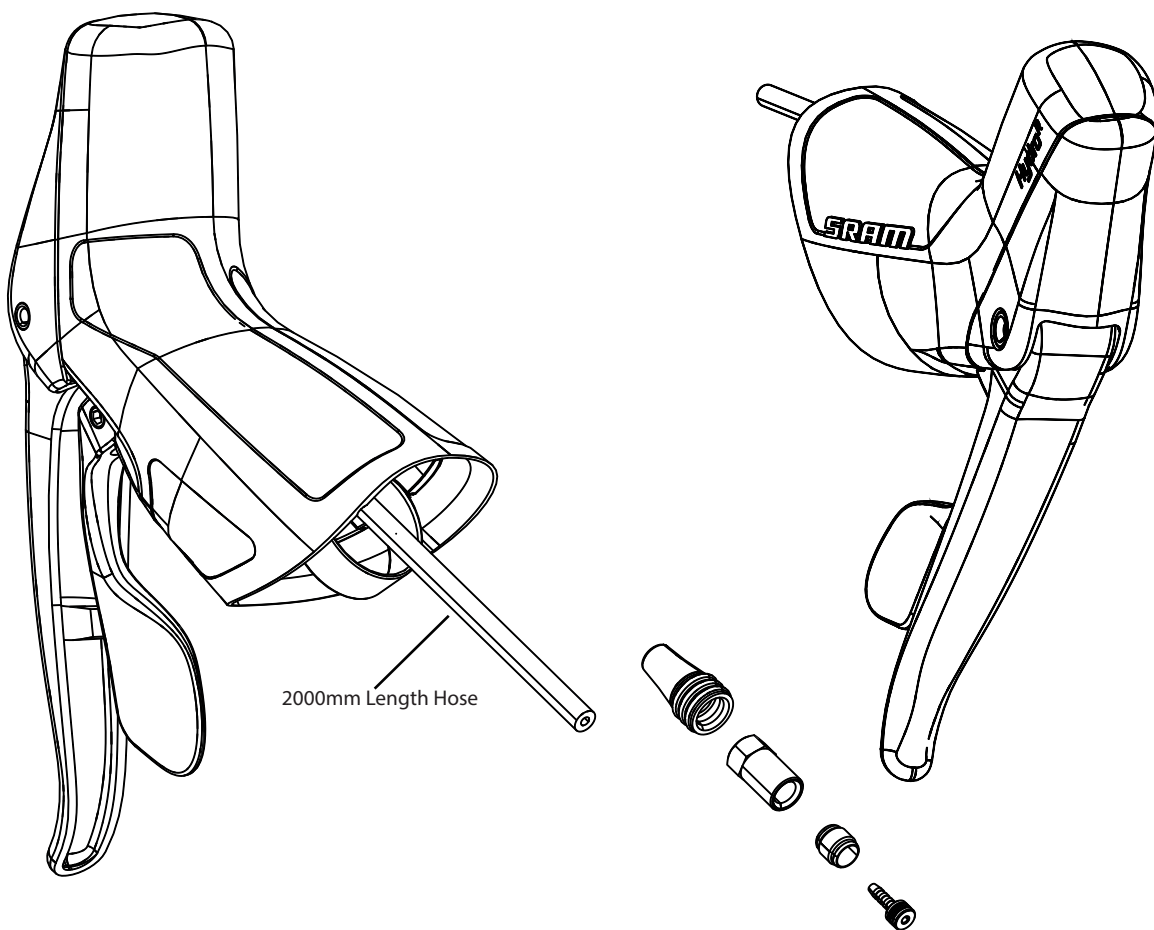
SB-RED-HRD-B1 / SB-RED-HRD-B2 / SB-RED-HRR-B1 / SB-RED-HRR-B2 / SB-FRC-HRD-A1 / SB-FRC-HRR-A1 / SB-RIV-HRD-A1 / SB-RIV-HRR-A1 / SB-700-HRD-B1 / SB-700-HRR-B1



NO.	PART NUMBER	DESCRIPTION
1	11.7018.075.000	SHIFTER BRAKE HYDRAULIC PISTON ASSEMBLY KIT HRD/HRR RIGHT INCLUDING PISTONSTOP PLATE WITH SCREW AND BLEED SCREW 1 LEVER
1	11.7018.075.001	SHIFTER BRAKE HYDRAULIC PISTON ASSEMBLY KIT HRD/HRR LEFT INCLUDING PISTONSTOP PLATE WITH SCREW AND BLEED SCREW 1 LEVER
2	11.7018.037.000	SHIFTER BRAKE RESERVOIR CAP KIT LEFT HRD/HRR BLADDER KIT INCLUDING 4 SCREWS
2	11.7018.037.001	SHIFTER BRAKE RESERVOIR CAP KIT RIGHT HRD/HRR BLADDER KIT INCLUDING 4 SCREWS
3	11.7018.070.000	SHIFT LEVER ASSEMBLY RED HRD B2 RIGHT
3	11.7018.070.010	SHIFT LEVER ASSEMBLY RED HRD B2 LEFT
4	11.7018.002.000	SHIFTER CLAMP KIT RED 13/22/FORCE22/RIVAL22/700 ERGODYNAMIC AND HYDRAULIC ROADSHIFTER PAIR
5	00.7918.027.001	HOOD COVER SRAM HYDRAULIC LEVERS BLACK, PAIR
6	00.5318.040.000	DISC BRAKE HYDRAULIC HOSE KIT - BEVELED BANJO -2000MMBLK (INC. BANJO, FITTINGS) - FLAT MOUNT,RED22,FORCE22, RIVAL22,FORCE 1,FORCE CX1,APEX1 HRD,S700

SRAM RED 22 / FORCE 22/CX1 / RIVAL / APEX - SHIFTERS / BRAKE LEVERS

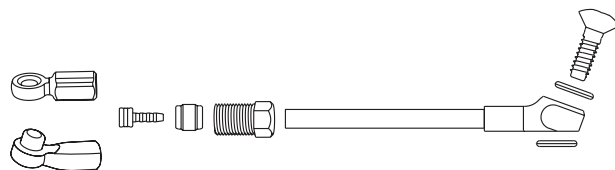
SB-RED-HRD-B1 / SB-RED-HRD-B2 / SB-RED-HRR-B1 / SB-RED-HRR-B2 / SB-FRC-HRD-A1 / SB-FRC-HRR-A1 / SB-RIV-HRD-A1 / SB-RIV-HRR-A1 / SB-APX-HRD-A1



2000mm Length Hose

NOTES:

- 1. Shifter hoods not includ
- 2. Hydraulic Road Exchange includes 2000mm of hose

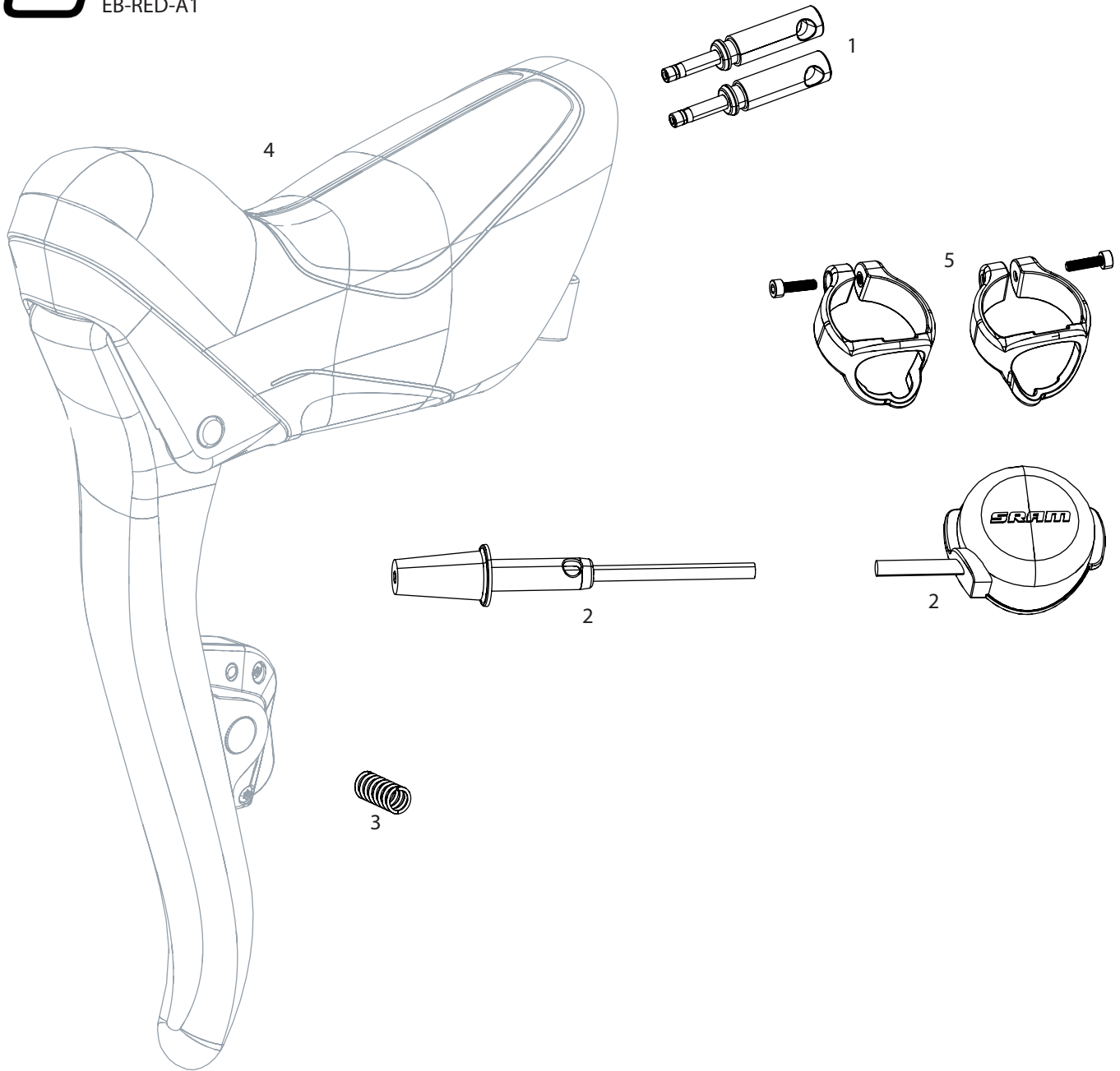


PART NUMBER	DESCRIPTION
11.7018.043.001	SHIFTER BRAKE LEVER EXCHANGE HYDRAULIC FORCE 22 REAR
11.7018.046.001	SHIFTER BRAKE LEVER EXCHANGE HYDRAULIC FORCE 22 FRONT
11.5218.000.000	BRAKE LEVER EXCHANGE HYDRAULIC FORCE1 FRONT
11.7018.043.002	SHIFTER BRAKE LEVER EXCHANGE HYDRAULIC RIVAL 22 REAR
11.7018.043.004	SHIFTER BRAKE LEVER EXCHANGE HYDRAULIC APEX1 REAR
11.5218.003.000	BRAKE LEVER EXCHANGE HYDRAULIC APEX1 FRONT
11.5218.003.000	BRAKE LEVER EXCHANGE HYDRAULIC APEX1 FRONT
00.5318.040.000	DISC BRAKE HYDRAULIC HOSE KIT - BEVELED BANJO -2000MMBLK (INC. BANJO, FITTINGS) - FLAT MOUNT,RED22,FORCE22,RIVAL22, FORCE 1,FORCE CX1,APEX1 HRD,S700



# SRAM RED ETAP - SHIFTERS / BRAKE LEVERS

EB-RED-A1

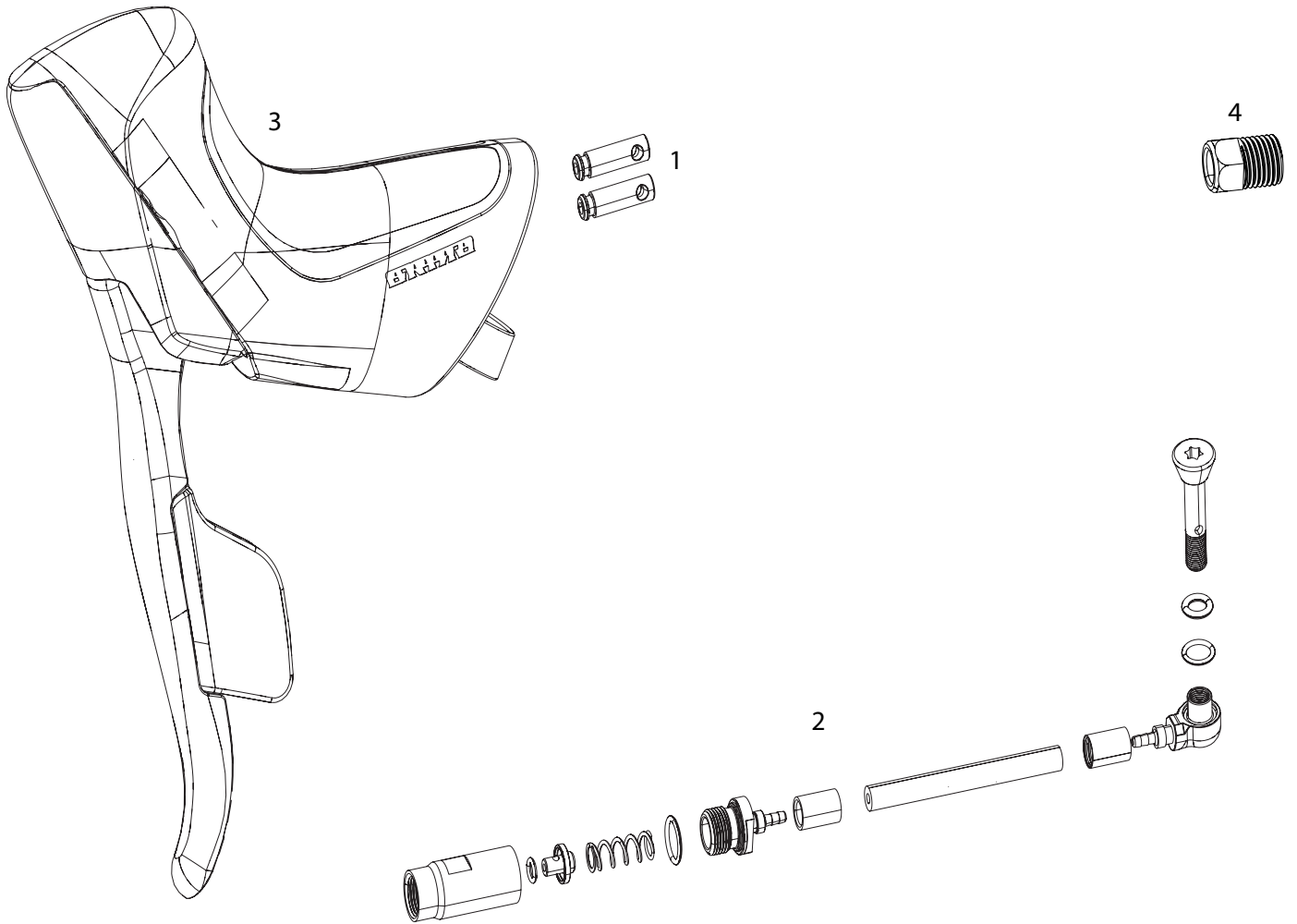


NO.	PART NUMBER	DESCRIPTION
1	11.7018.049.000	SHIFTER BRAKE AND BLIP BOX DUMMY PLUGS ETAP QTY 2
2	00.7018.210.000	BLIP FOR ETAP 150MM BLACK QTY 2
2	00.7018.210.001	BLIP FOR ETAP 230MM BLACK QTY 2
2	00.7018.210.002	BLIP FOR ETAP 450MM BLACK QTY 2
2	00.7018.210.003	BLIP FOR ETAP 650MM BLACK QTY 2
3	11.7018.063.000	SHIFTER SPRING AND ACTUATOR RED ETAP LEFT/RIGHT QTY 1
4	00.7918.066.000	HOOD COVER PAIR FOR ETAP LEVERS, BLACK
5	00.3018.098.000	SRAM BLIP CLAMP 31.8 PAIR
ns	00.3018.097.000	SRAM BLIP GRIP AERO PAIR



# SRAM RED ETAP HRD - SHIFTERS / BRAKE LEVERS

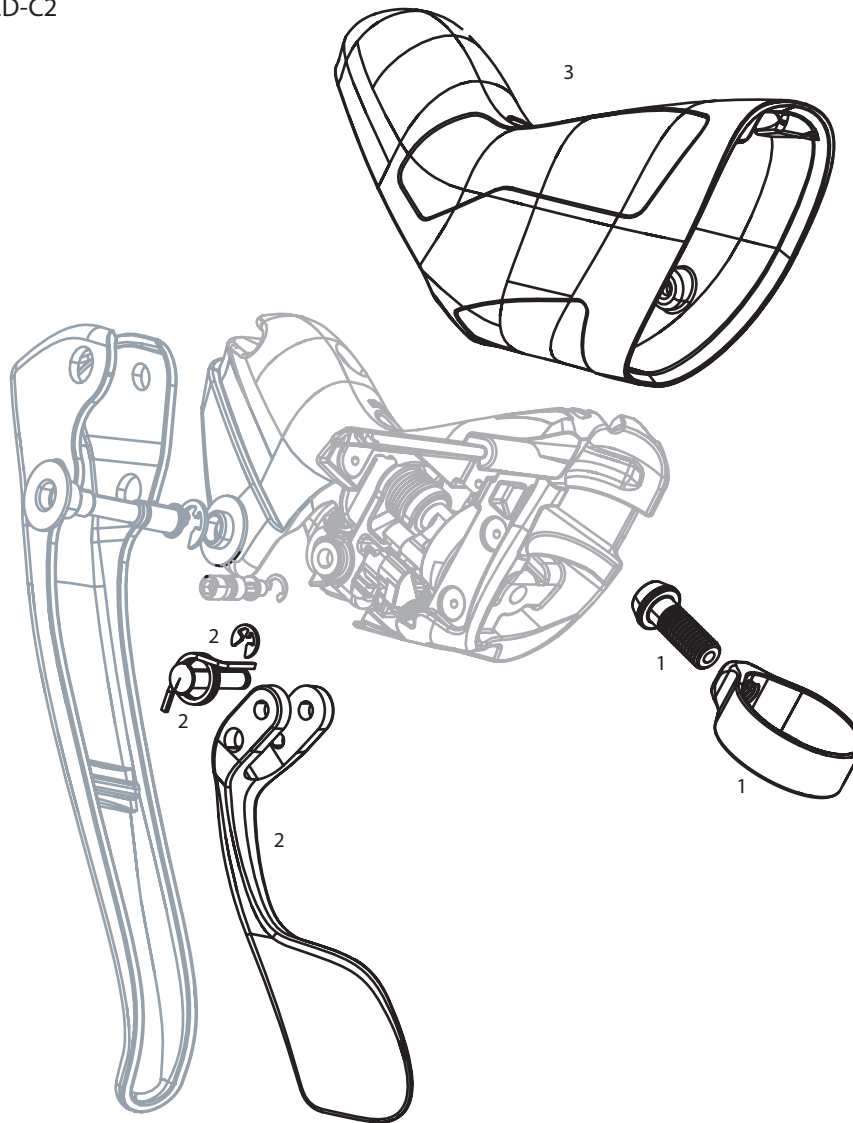
SB-RED-EHRD-A1



NO.	PART NUMBER	DESCRIPTION
1	11.7018.049.000	SHIFTER BRAKE AND BLIP BOX DUMMY PLUGS ETAP QTY 2
2	11.5018.042.000	DISC BRAKE HOSE HOOD ASSEMBLY - ETAP HRD STEALTH-A-MAJIG,
3	00.7918.027.002	HOOD COVER SRAM ETAP HYRDAULIC ROAD LEVERS BLACK, PAIR
4	11.7018.073.000	SHIFTER BRAKE ETAP HRD COMPRESSION HOSE NUT, QTY 5
ns	00.5318.039.000	DISC BRAKE HYDRAULIC HOSE KIT - BLACK BANJO -2000MMBLK(INC. BANJO, FITTINGS) - LEVEL ULT,LEVEL TLM (A1), CODE R/RSC (B1),RED ETAP HRD,S900 MONOBLOCK

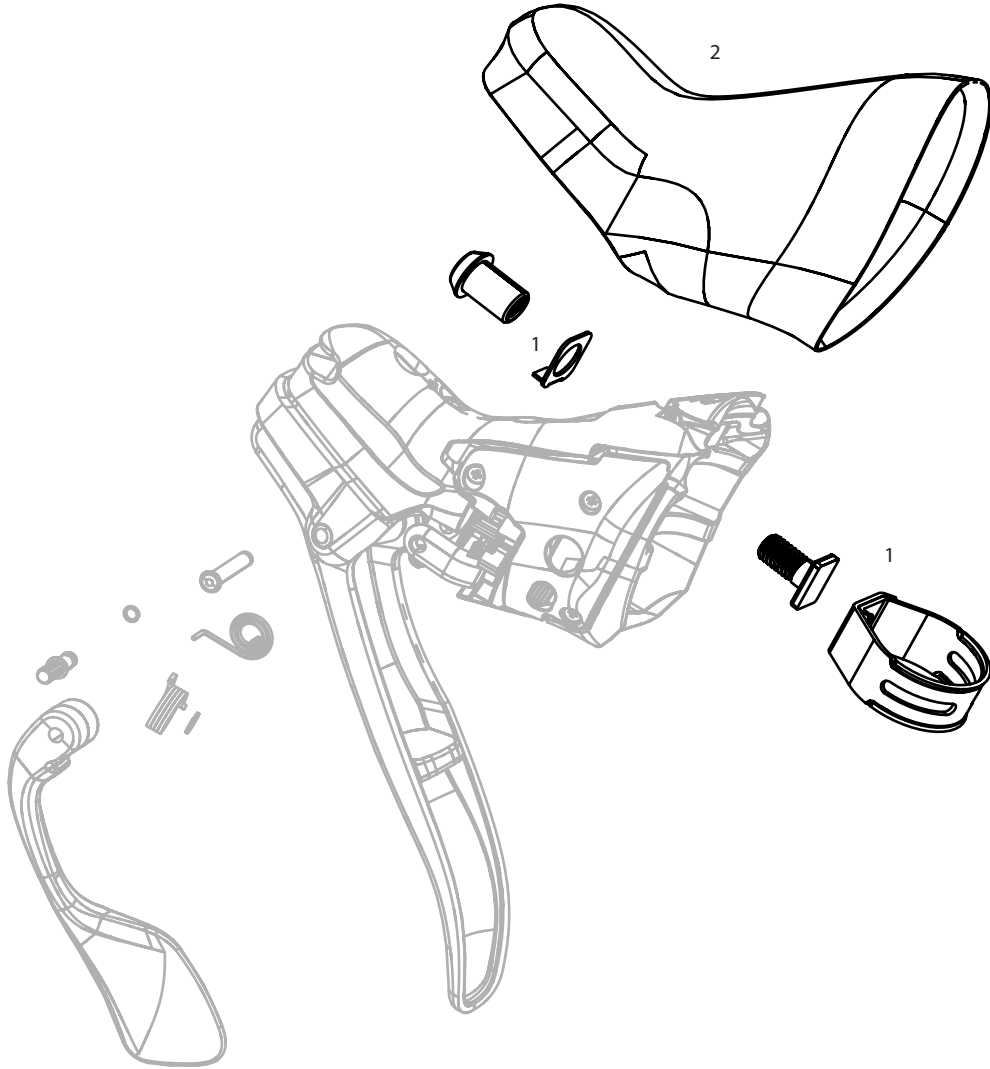
# SRAM RED 22 / 2013 - SHIFTERS / LEVERS

SB-RED-B1 SB-RED-C1 SB-RED-C2



NO.	PART NUMBER	DESCRIPTION
1	11.7018.002.000	SHIFTER CLAMP KIT RED 13/22/FORCE22/RIVAL22/700 ERGODYNAMIC AND HYDRAULIC ROADSHIFTER PAIR
2	11.7018.005.000	SHIFTER LEVER ASSEMBLY RED 13/22 ERGODYMANIC RIGHT
2	11.7018.005.001	SHIFTER LEVER ASSEMBLY RED 13/22 ERGODYMANIC LEFT
3	00.7918.010.000	HOOD COVER PAIR FOR RED2012, RED 22, FORCE 22, RIVAL 22 LEVERS, TEXTURED, BLACK
3	00.7918.010.001	HOOD COVER PAIR FOR RED2012, RED 22, FORCE 22, RIVAL 22 LEVERS, TEXTURED, WHITE
3	00.7918.010.002	HOOD COVER PAIR FOR RED2012, RED 22, FORCE 22, RIVAL 22 LEVERS, TEXTURED, RED

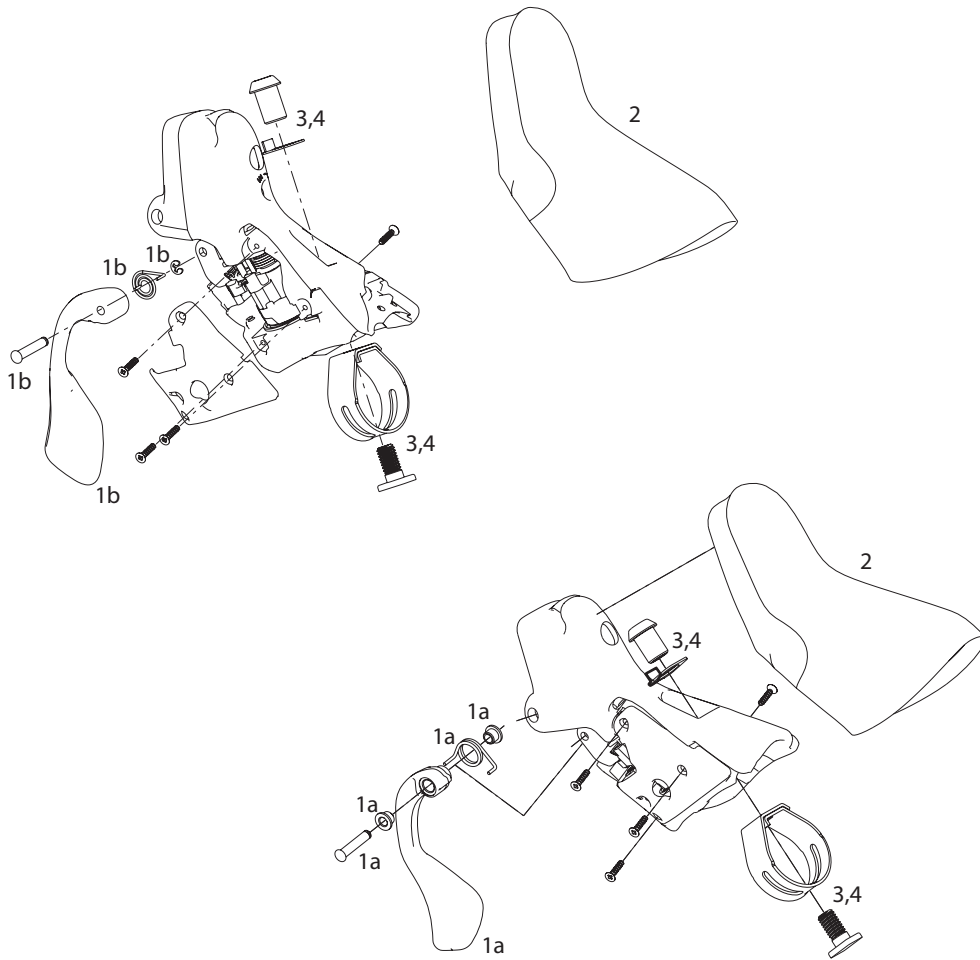




NO.	PART NUMBER	DESCRIPTION
1	11.7015.050.000	SHIFTER CLAMP KIT 09-11 ROAD SHIFTER CLAMP KIT, PAIR
2	00.7915.042.000	HOODS FOR DOUBLETAP LEVERS BLACK, PAIR
2	00.7915.042.010	HOODS FOR DOUBLETAP LEVERS WHITE, PAIR
2	00.7915.042.020	HOODS FOR DOUBLETAP LEVERS RED, PAIR

SRAM RIVAL / APEX- SHIFTERS / LEVERS (2007-2012)

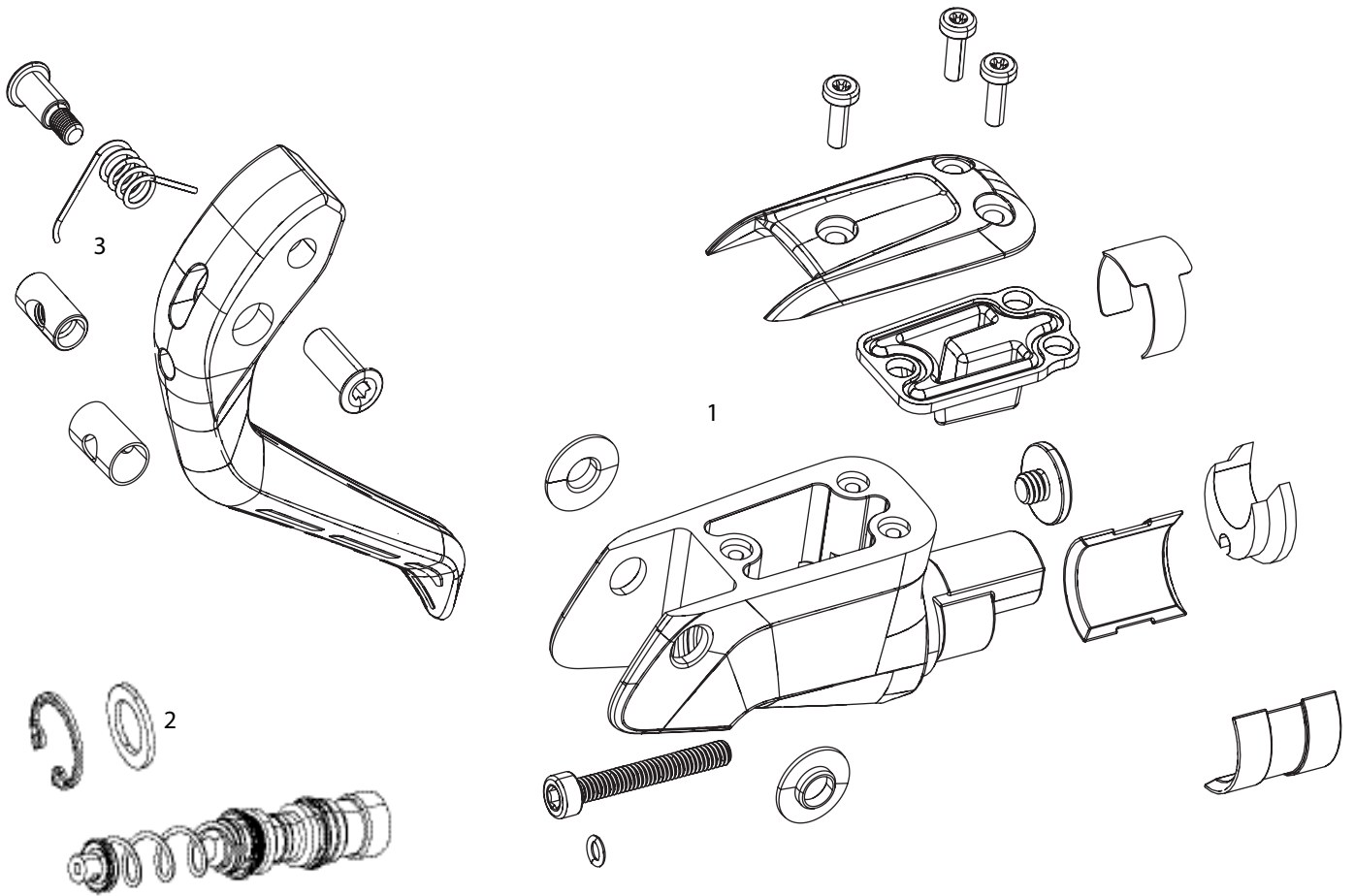
SB-RIV-A1 / SB-APX-A1



NO.	PART NUMBER	DESCRIPTION
1a	11.7015.052.040	SHIFTER LEVER ASSEMBLY KIT 2009-2011 APEX/RIVAL, LEFT
1b	11.7015.052.050	SHIFTER LEVER ASSEMBLY KIT 2009-2011 APEX/RIVAL, RIGHT
2	00.7915.042.000	HOODS FOR DOUBLETAP LEVERS BLACK, PAIR
2	00.7915.042.010	HOODS FOR DOUBLETAP LEVERS WHITE, PAIR
2	00.7915.042.020	HOODS FOR DOUBLETAP LEVERS RED, PAIR
3	11.7015.000.000	SHIFTER BRAKE CLAMP KIT 2007-2008 RIVAL/FORCE, PAIR
4	11.7015.050.000	SHIFTER CLAMP KIT 09-11 ROAD SHIFTER CLAMP KIT, PAIR

# S900 TT AERO HRD

DB-S-900-A1

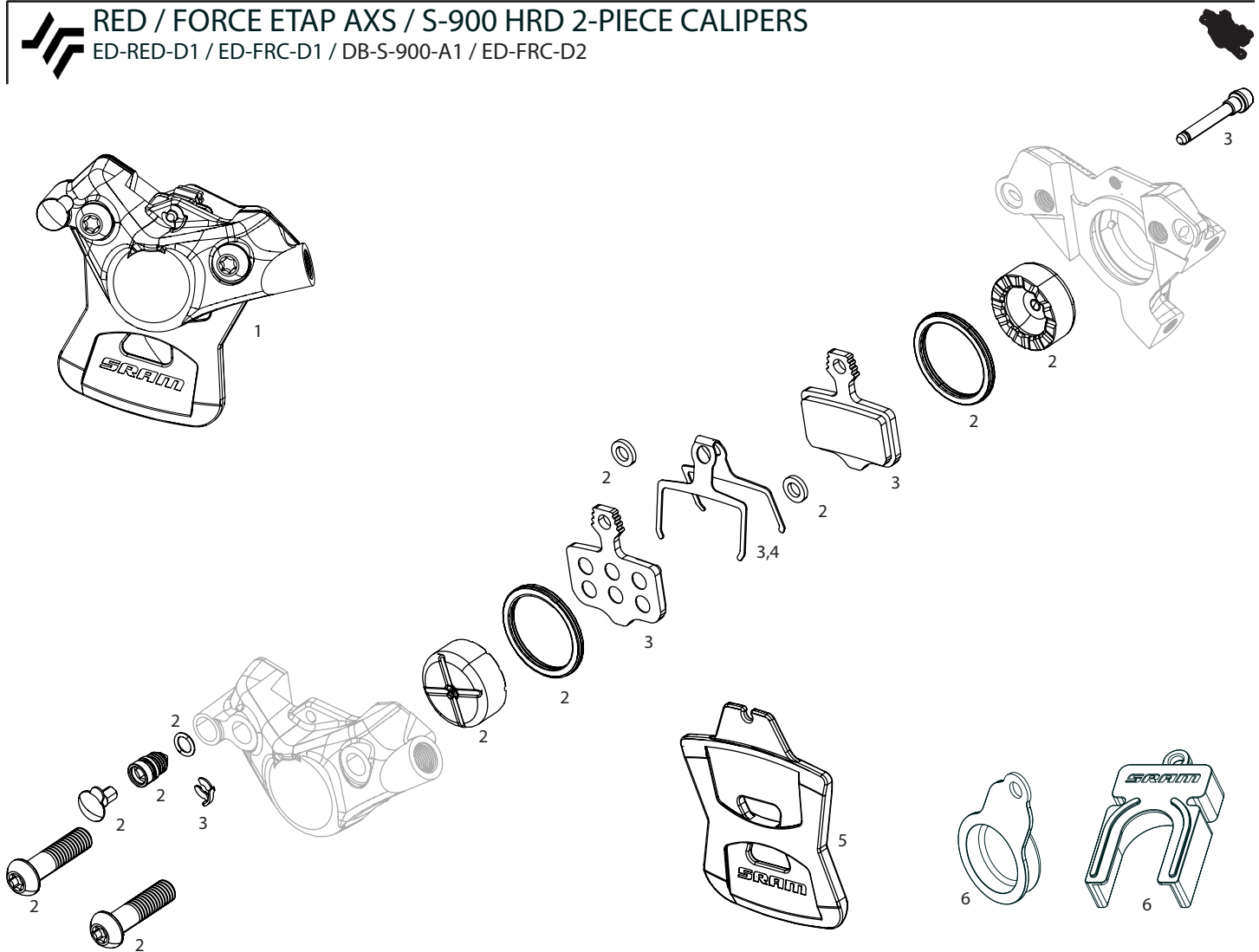


NO.	PART NUMBER	DESCRIPTION
1	11.5218.004.000	BRAKE LEVER HOOD KIT S900 AERO HRD
2	11.5218.005.000	BRAKE LEVER HYDRAULIC PISTON KIT S900 AERO HRD
3	11.5218.006.000	BRAKE LEVER KIT S900 AERO ROAD HRD



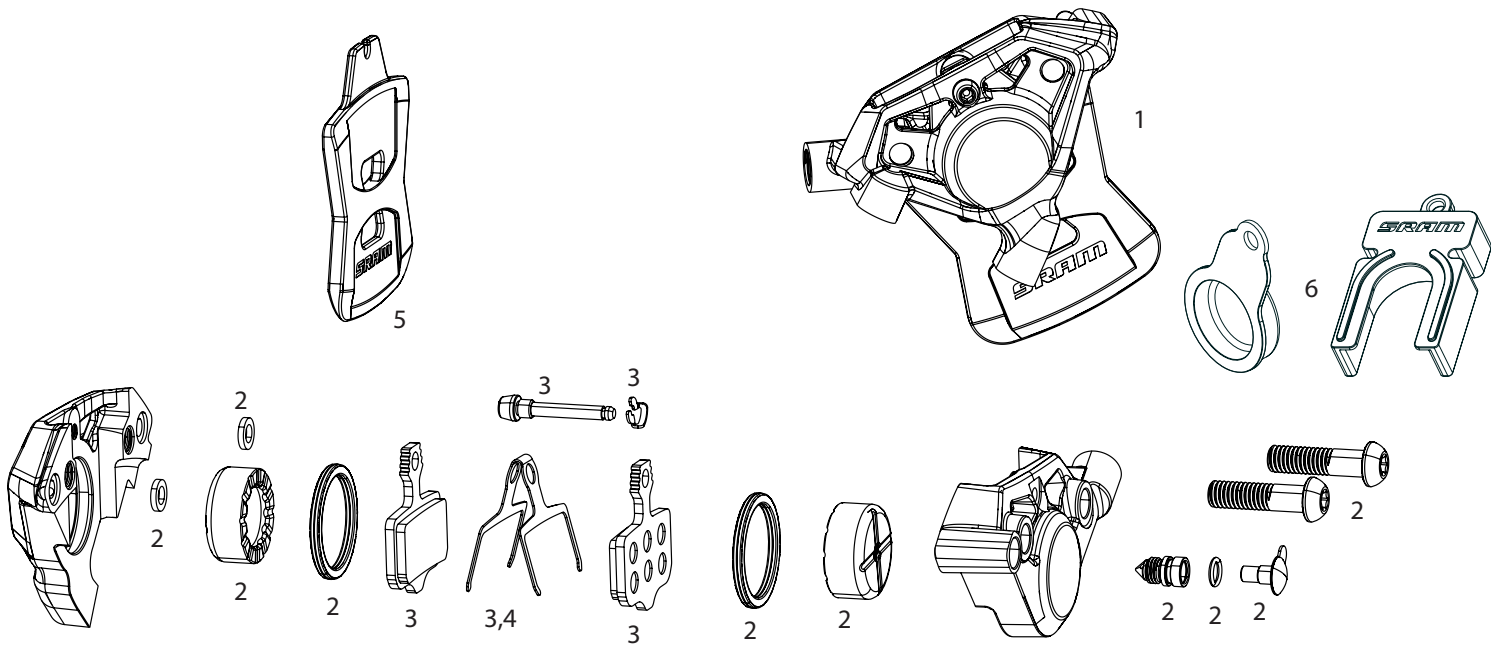
# RED / FORCE ETAP AXS / S-900 HRD 2-PIECE CALIPERS

ED-RED-D1 / ED-FRC-D1 / DB-S-900-A1 / ED-FRC-D2

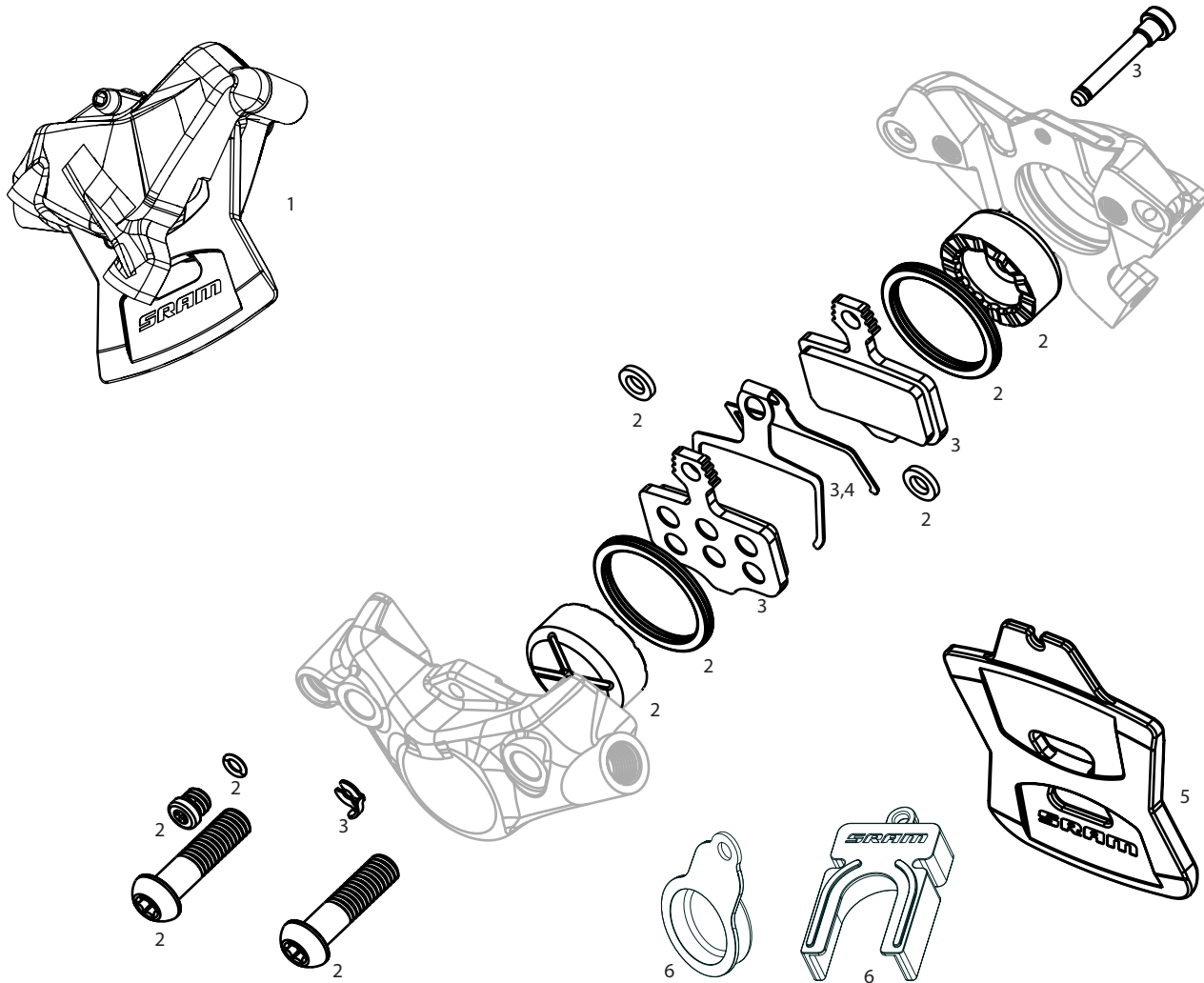


Note: In July 2019 Red AXS disc brakes move to 2-Piece calipers which requires a different line kit & brake pads. See page 166 for mounting bolts.

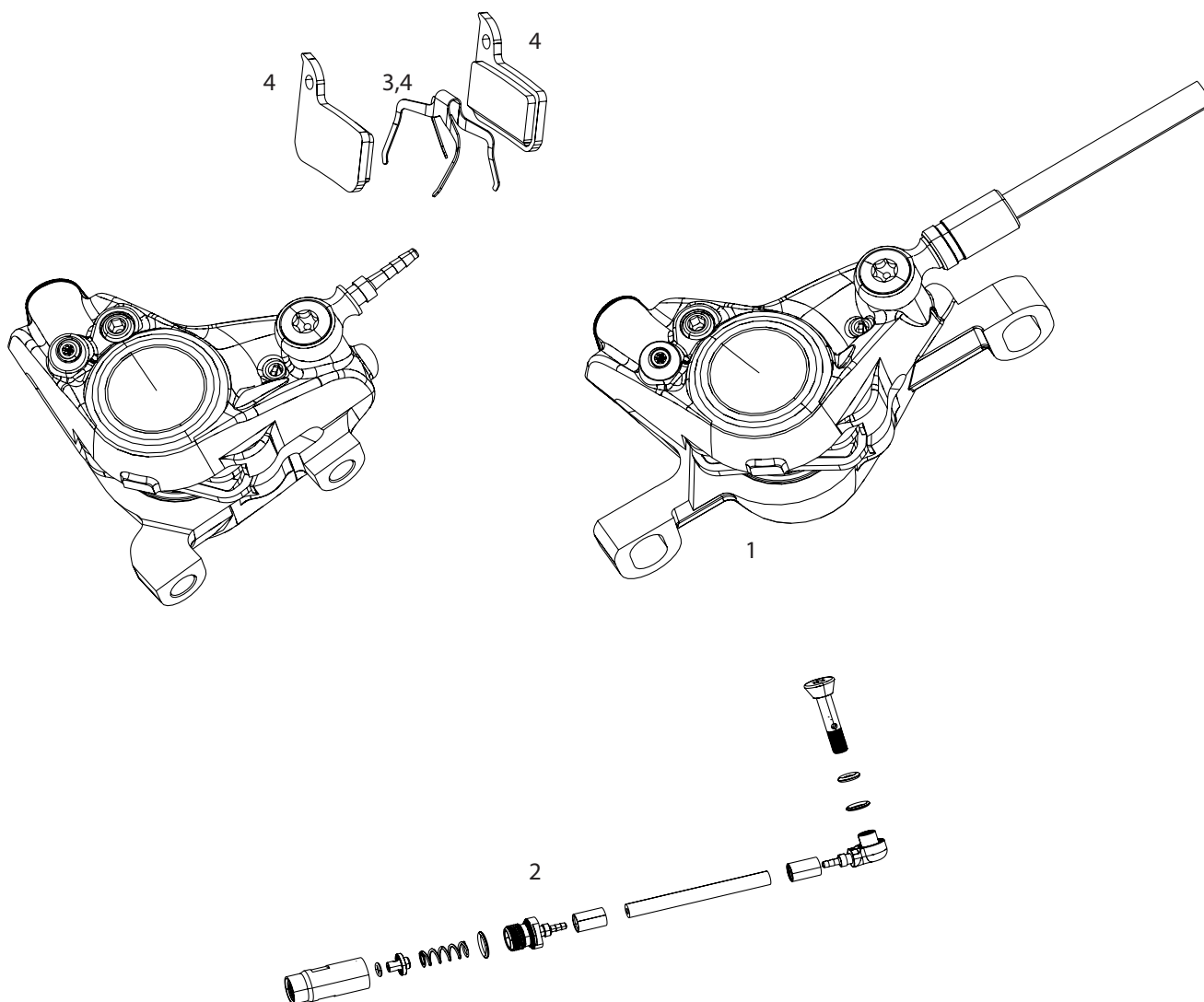
NO.	PART NUMBER	DESCRIPTION
1	11.5018.050.000	DISC BRAKE CALIPER ASSEMBLY - (ASSEMBLED, NO HOSE) RED ETAP AXS D1 - FLAT MOUNT 2-PIECE FRONT/REAR POLAR GREY INCLUDING BRAKE PADS
1	11.5018.066.000	DISC BRAKE CALIPER ASSEMBLY - (ASSEMBLED, NO HOSE) S900 - FLAT MOUNT 2-PIECE FRONT/REAR BLACK INCLUDING BRAKE PADS
1	11.5018.050.001	DISC BRAKE CALIPER ASSEMBLY - (ASSEMBLED, NO HOSE) FORCE ETAP AXS D1 - FLAT MOUNT FRONT/REAR INCLUDING BRAKE PADS
1	11.5018.050.004	DISC BRAKE CALIPER ASSEMBLY - (ASSEMBLED, NO HOSE) FORCE ETAP AXS D2 - Unicorn Grey w/Laser Foil - FLAT MOUNT FRONT/REAR INCLUDING BRAKE PADS
2	11.5018.065.001	DISC BRAKE CALIPER PISTON SERVICE KIT - (INCLUDES 2 PISTONS, 2 PISTON BLACK BOLTS, SEALS, BLEED SCREW & O-RINGS) - FORCE AXS D1
2	11.5018.065.002	DISC BRAKE CALIPER PISTON SERVICE KIT - (INCLUDES 2 PISTONS, 2 PISTON TITANIUM BOLTS, SEALS, BLEED SCREW & O-RINGS) - RED AXS D1
3	00.5318.024.001	DISC BRAKE PADS - SMALL ORGANIC/STEEL (QUIET) - 2 PIECE ROAD/ELIXIR/DB/LEVEL B1 (2020+) - OE ROAD PAD
3	11.5015.040.072	DISC BRAKE PADS - ORGANIC/STEEL, QUIET (20 SETS) - 2 PIECE ROAD/ELIXIR/DB/LEVEL B1 (2020+) - OE Road Pad
4	11.5015.035.000	DISC BRAKE PAD H-SPRING - (QTY 2) - ELIXIR/DB/LEVEL B1 +2PISTON/FORCE-RIVAL ETAP AXS
5	11.5018.062.000	DISC BRAKE PAD SPACER 2.8MM - 2-PIECE CALIPER - LEVEL ULTIMATE/TLM/TL/RED-FORCE-RIVAL AXS - QTY2
ns	00.5318.036.000	Disc Brake Hydraulic Hose Kit-DoubleCompression 2000mmBlk-CodeR,Elixir1/3,Juicy3,DB 1/3, Level 2P ULT/SLV/TLM/TL/T/4PBZR(B1+),GuideRE,G2RE/RS/R,DB8,Red,Force,Rival(2P)eTapAXS, MAVEN BRZ (A1)
ns	11.5018.061.000	DISC BRAKE HOSE FITTING KIT - SHORT NUT (INCLUDES 5 THREADED HOSE BARBS,5 COMPRESSION NUTS, 5 RED COMP OLIVES, 1 T8 TORX) - RED/FORCE/RIVAL AXS 2-PIECE
6	00.5318.026.000	SRAM Caliper 21mm Piston Removal Tool (includes plug, removal block) - Level ULT/TLM/SLV eTap HRD



NO.	PART NUMBER	DESCRIPTION
1	11.5018.050.006	DISC BRAKE CALIPER ASSEMBLY - (ASSEMBLED, NO HOSE) RED ETAP AXS E1 - FLAT MOUNT 2-PIECE FRONT/REAR SILVER INCLUDING BRAKE PADS
2	11.5018.065.003	DISC BRAKE CALIPER PISTON SERVICE KIT - (INCLUDES 2 PISTONS, 2 BLACK TITANIUM BOLTS, SEALS, BLEED SCREW, O-RINGS) - RED AXS E1
3	00.5318.024.001	DISC BRAKE PADS - SMALL ORGANIC/STEEL (QUIET) - 2 PIECE ROAD/ELIXIR/DB/LEVEL B1 (2020+) - OE ROAD PAD
3	11.5015.040.072	DISC BRAKE PADS - ORGANIC/STEEL, QUITE (20 SETS) - 2 PIECE ROAD/ELIXIR/DB/LEVEL B1 (2020+) - OE Road Pad
4	11.5015.035.000	DISC BRAKE PAD H-SPRING - (QTY 2) - ELIXIR/DB/LEVEL B1+2PISTON/FORCE-RIVAL ETAP AXS
5	11.5018.062.000	DISC BRAKE PAD SPACER 2.8MM - 2-PIECE CALIPER - LEVEL ULTIMATE/TLM/TL/RED-FORCE-RIVAL AXS - QTY2
ns	00.5318.036.000	Disc Brake Hydraulic Hose Kit-DoubleCompression 2000mmBlk-CodeR,Elixir1/3,Juicy3,DB 1/3,Level 2P ULT/SLV/TLM/TL/T/4PBZR(B1+),GuideRE,G2RE/RS/R,DB8,Red,Force,Rival(2P)eTapAXS
ns	11.5018.061.000	DISC BRAKE HOSE FITTING KIT - SHORT NUT (INCLUDES 5 THREADED HOSE BARBS,5 COMPRESSION NUTS, 5 RED COMP OLIVES, 1 T8 TORX) - RED/FORCE/RIVAL AXS 2-PIECE
6	00.5318.026.000	SRAM Caliper 21mm Piston Removal Tool (includes plug, removal block) - Level ULT/TLM/SLV eTap HRD

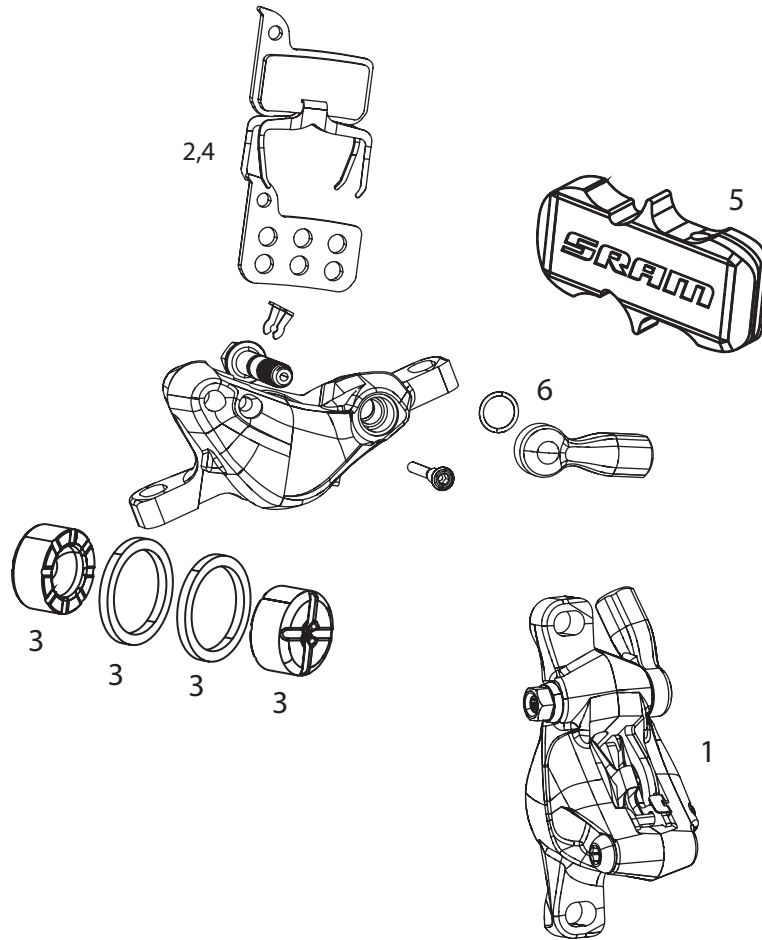


NO.	PART NUMBER	DESCRIPTION
1	11.5018.050.003	DISC BRAKE CALIPER ASSEMBLY - (ASSEMBLED, NO HOSE) RIVAL ETAP AXS D1 - FLAT MOUNT 2-PIECE FRONT/REAR BLACK INCLUDING BRAKE PADS
1	11.5018.050.005	DISC BRAKE CALIPER ASSEMBLY - (ASSEMBLED, NO HOSE) APEX AXS / S300 - FLAT MOUNT FRONT/REAR INCLUDING BRAKE PADS
2	11.5018.065.000	DISC BRAKE CALIPER PISTON SERVICE KIT - (INCLUDES 2 PISTONS, 2 PISTON BOLTS, SEALS, BLEED SCREW & O-RINGS) - RIVAL AXS D1
3	00.5318.024.001	DISC BRAKE PADS - SMALL ORGANIC/STEEL (QUIET) - 2 PIECE ROAD/ELIXIR/DB/LEVEL B1 (2020+) - OE ROAD PAD
3	11.5015.040.072	DISC BRAKE PADS - ORGANIC/STEEL, QUIET (20 SETS) - 2 PIECE ROAD/ELIXIR/DB/LEVEL B1 (2020+) - OE Road Pad
4	11.5015.035.000	DISC BRAKE PAD H-SPRING - (QTY 2) - ELIXIR/DB/LEVEL B1+2PISTON/FORCE-RIVAL ETAP AXS
5	11.5018.062.000	DISC BRAKE PAD SPACER 2.8MM - 2-PIECE CALIPER - LEVEL ULTIMATE/TLM/TL/RED-FORCE-RIVAL AXS - QTY2
ns	00.5318.036.000	Disc Brake Hydraulic Hose Kit-DoubleCompression 2000mmBlk-CodeR,Elixir1/3,Juicy3,DB 1/3, Level 2P ULT/SLV/TLM/TL/T/4PBZR(B1+),GuideRE,G2RE/RS/R,DB8,Red,Force,Rival(2P)eTapAXS, MAVEN BRZ (A1)
ns	11.5018.061.000	DISC BRAKE HOSE FITTING KIT - SHORT NUT (INCLUDES 5 THREADED HOSE BARBS,5 COMPRESSION NUTS, 5 RED COMP OLIVES, 1 T8 TORX) - RED/FORCE/RIVAL AXS 2-PIECE
6	00.5318.026.000	SRAM Caliper 21mm Piston Removal Tool (includes plug, removal block) - Level ULT/TLM/SLV eTap HRD



See page 166 for mounting bolts.

NO.	PART NUMBER	DESCRIPTION
1	11.5018.024.010	DISC BRAKE CALIPER ASSEMBLY - (ASSEMBLED, NO HOSE) RED ETAP - POST MOUNT FRONT/REAR FALCON GREY INCLUDING BRAKE PADS
1	11.5018.051.001	DISC BRAKE CALIPER ASSEMBLY - (ASSEMBLED, NO HOSE) SRAM BRANDED BLACK – 2-PIECE POST MOUNT FRONT/REAR INCLUDING BRAKE PADS
2	11.5018.042.000	DISC BRAKE HOSE HOOD ASSEMBLY - ETAP HRD STEALTH-A-MAJIG,
3	11.5018.006.002	DISC BRAKE PAD H-SPRING - (QTY 2) MONOBLOCK - LEVEL ULTIMATE/TLM (A1) QTY 2
4	00.5318.010.002	DISC BRAKE PADS - ASYMMETRIC ORGANIC/STEEL (QUIET) – MONOBLOCK - SRAM HYDRAULIC ROAD DISC, LEVEL A1 (2017-2019)
4	00.5318.010.003	DISC BRAKE PADS - ASYMMETRIC ORGANIC/ALUMINUM (QUIET/LIGHT) – MONOBLOCK - SRAM HYDRAULIC ROAD DISC, LEVEL A1 (2017-2019)
4	00.5318.010.004	DISC BRAKE PADS - ASYMMETRIC SINTERED/STEEL (HEAVY DUTY) – MONOBLOCK - SRAM HYDRAULIC ROAD DISC, LEVEL A1 (2017-2019)
ns	11.7018.073.000	SHIFTER BRAKE ETAP HRD COMPRESSION HOSE NUT, QTY 5

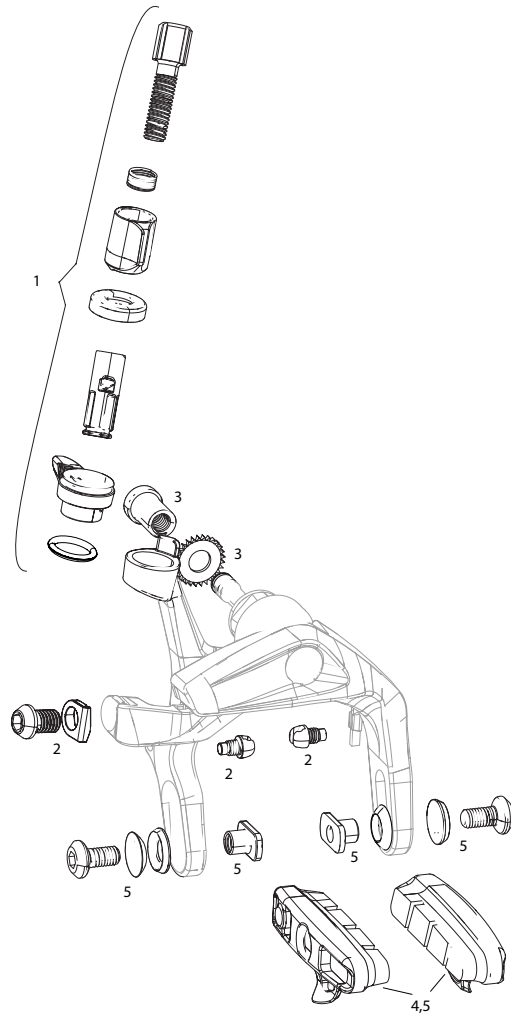


NO.	PART NUMBER	DESCRIPTION
1	11.5018.024.000	DISC BRAKE CALIPER ASSEMBLY - (ASSEMBLED, NO HOSE) RED22 B1 - 18MM POST MOUNT FRONT/REAR GREY INCLUDING BRAKE PADS
1	11.5018.026.000	DISC BRAKE CALIPER ASSEMBLY - (ASSEMBLED, NO HOSE) FORCE22 B1 - 18MM POST MOUNT FRONT/REAR GREY INCLUDING BRAKE PADS
1	11.5018.027.000	DISC BRAKE CALIPER ASSEMBLY - (ASSEMBLED, NO HOSE) RIVAL22 B1 - 18MM POST MOUNT FRONT/REAR BLACK INCLUDING BRAKE PADS
1	11.5018.044.000	DISC BRAKE CALIPER ASSEMBLY - (ASSEMBLED, NO HOSE) APEX - POST MOUNT FRONT/REAR BLACK INCLUDING BRAKE PADS
1	11.5018.039.000	DISC BRAKE CALIPER ASSEMBLY - (ASSEMBLED, NO HOSE) RED22 - FLAT MOUNT FRONT/REAR INCLUDING BRAKE PADS
1	11.5018.040.000	DISC BRAKE CALIPER ASSEMBLY - (ASSEMBLED, NO HOSE) FORCE22/FORCE1 - FLAT MOUNT FRONT/REAR INCLUDING BRAKE PADS
1	11.5018.041.000	DISC BRAKE CALIPER ASSEMBLY - (ASSEMBLED, NO HOSE) RIVAL22/RIVAL1 - FLAT MOUNT FRONT/REAR INCLUDING BRAKE PADS
1	11.5018.045.000	DISC BRAKE CALIPER ASSEMBLY - (ASSEMBLED, NO HOSE) APEX - FLAT MOUNT FRONT/REAR BLACK INCLUDING BRAKE PADS
2	11.5018.037.000	DISC BRAKE PADS - ORGANIC/STEEL (20 SETS) MONOBLOCK - SRAM HYDRAULIC ROAD DISC, LEVEL A1 (2017-2019)
2	11.5018.037.001	DISC BRAKE PADS - ORGANIC/ALUMINUM (20 SETS) MONOBLOCK - SRAM HYDRAULIC ROAD DISC, LEVEL A1 (2017-2019)
2	11.5018.037.002	DISC BRAKE PADS - SINTERED/STEEL (20 SETS) - MONOBLOCK - SRAM HYDRAULIC ROAD DISC, LEVEL A1 (2017-2019)
3	11.5018.029.000	DISC BRAKE CALIPER PISTON KIT - (INCLUDES 2-18MM PISTONS & SEALS) REAR - RED22/700 B1
4	11.5018.028.000	DISC BRAKE PAD H-SPRING - (QTY 20) - RED22/700 B1
5	11.5015.014.060	DISC BRAKE BLEED BLOCK - HYDRAULIC ROAD DISC
6	11.5018.031.000	DISC BRAKE CALIPER BANJO KIT - BLACK NON-CONNECTAMA JIG ROAD DISC



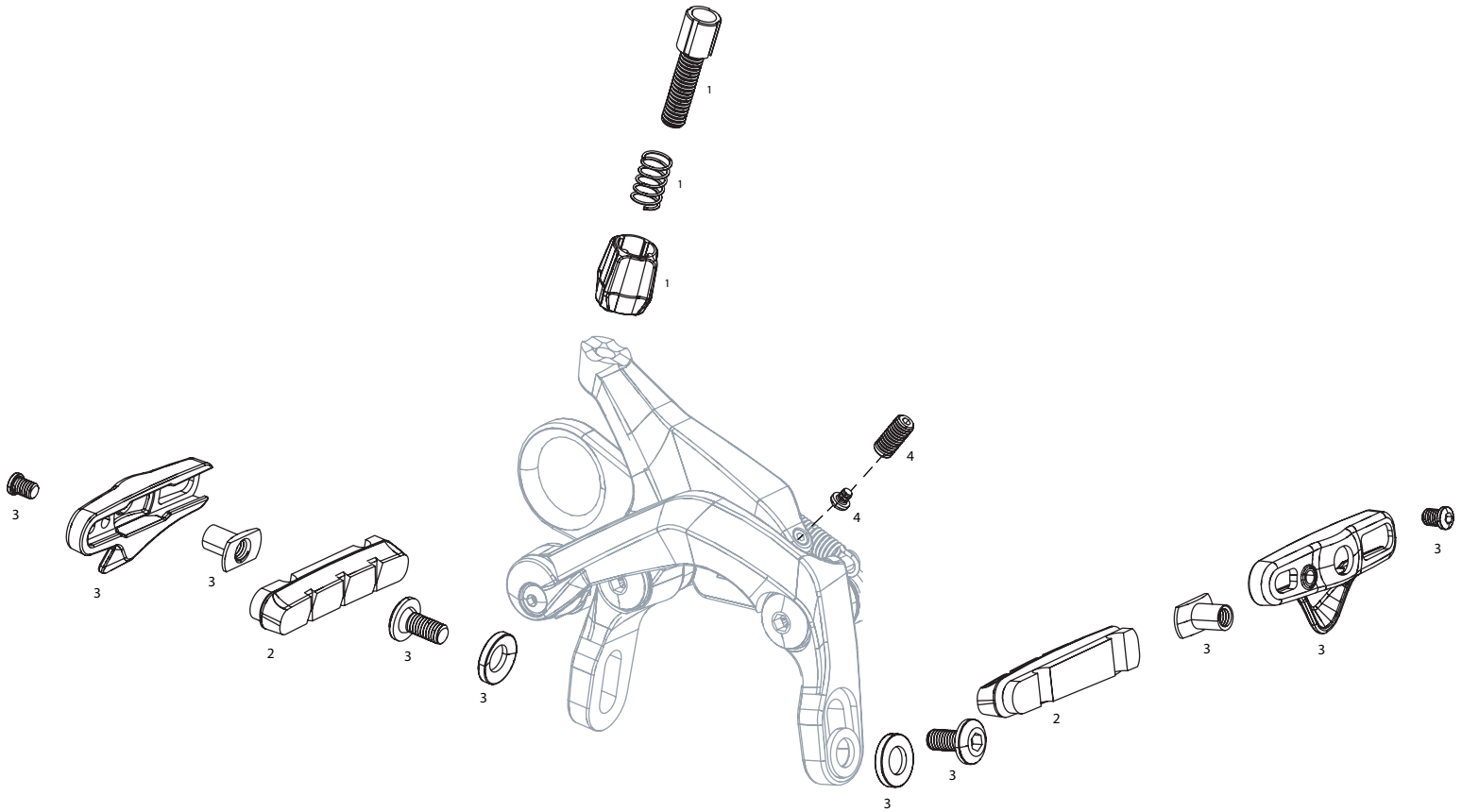
# SRAM RED 2013 - BRAKE CALIPER

RB-RED-B1 / RB-RED-B2



xNO.	PART NUMBER	DESCRIPTION
1	11.5118.000.000	RIM BRAKE BARREL ADJUSTER INCLUDING QR RED 13 AERO LINK QTY 1
2	11.5118.001.000	RIM BRAKE CLAMP BOLT AND ADJUSTER SPING RED 13 AERO LINK QTY 1
3	11.5415.018.000	RIM BRAKE CENTER NUT SET RED (12, 14, 16, 18, 20, 30MM)
4	11.5115.000.000	BRAKE PAD INSERT SRAM ROAD BLACK ALU RIM QTY 2
5	00.5315.013.050	BRAKE PAD/HOLDER RED 2012/RED BLACK PAIR

SRAM S900 DIRECT MOUNT RIM BRAKE CALIPER  
RB-S-900-A1



NO.	PART NUMBER	DESCRIPTION
1	11.5118.010.000	RIM BRAKE BARREL ADJUSTER KIT S900 DIRECT MOUNT
2	11.5118.012.000	AM RIM BRAKE PADS INSERT S900 DIRECT MOUNT CARBON PAIR
2	11.5118.012.001	AM RIM BRAKE PADS INSERT S900 DIRECT MOUNT ALUMINUM RIMS PAIR
3	11.5118.011.000	BRAKE PAD HOLDER FRONT L/R S900 DIRECT MOUNT
3	11.5118.011.001	BRAKE PAD HOLDER REAR L/R S900 DIRECT MOUNT
4	11.5118.013.000	RIM BRAKE CENTER SCREW S900 DIRECT MOUNT QTY2



PART NUMBER      DESCRIPTION

THREAD MOUNT

00.6218.047.000	CHAIN RING ROAD 46T THREADED MOUNT X-SYNC 6.5MM OFFSET RED E1 BLACK/SILVER (including thread back up pin for chainring)
00.6218.047.001	CHAIN RING ROAD 44T THREADED MOUNT X-SYNC 6.5MM OFFSET RED E1 BLACK/SILVER (including thread back up pin for chainring)
00.6218.047.002	CHAIN RING ROAD 42T THREADED MOUNT X-SYNC 6.5MM OFFSET RED E1 BLACK/SILVER (including thread back up pin for chainring)
00.6218.047.003	CHAIN RING ROAD 40T THREADED MOUNT X-SYNC 6.5MM OFFSET RED E1 BLACK/SILVER (including thread back up pin for chainring)
00.6218.047.004	CHAIN RING ROAD 38T THREADED MOUNT X-SYNC 6.5MM OFFSET RED E1 BLACK/SILVER (including thread back up pin for chainring)

DIRECT MOUNT

11.6218.062.000	CHAIN RING ROAD 40T DM X-SYNC BLACK STEEL (APEX)
00.6218.016.000	CHAIN RING ROAD 48T DM X-SYNC AERO BLAST BLACK
00.6218.016.001	CHAIN RING ROAD 50T DM X-SYNC AERO BLAST BLACK
00.6218.017.000	CHAIN RING ROAD 4633T DM KIT NON-POWER RED POLAR GREY
00.6218.017.001	CHAIN RING ROAD 4835T DM KIT NON-POWER RED POLAR GREY
00.6218.017.002	CHAIN RING ROAD 5037T DM KIT NON-POWER RED POLAR GREY
00.6218.046.000	CHAIN RING ROAD 4633T DM KIT NON-POWER RED E1 BLACK/SILVER
00.6218.046.001	CHAIN RING ROAD 4835T DM KIT NON-POWER RED E1 BLACK/SILVER
00.6218.046.002	CHAIN RING ROAD 5037T DM KIT NON-POWER RED E1 BLACK/SILVER
00.6218.048.000	CHAIN RING ROAD 48T DM X-SYNC AERO RED E1
00.6218.048.001	CHAIN RING ROAD 50T DM X-SYNC AERO RED E1
00.6218.060.000	CHAIN RING ROAD 38T DM X-SYNC BLACK/SILVER (RED E1) Including 8 chainring bolts
00.6218.060.001	CHAIN RING ROAD 40T DM X-SYNC BLACK/SILVER (RED E1) Including 8 chainring bolts
00.6218.060.002	CHAIN RING ROAD 42T DM X-SYNC BLACK/SILVER (RED E1) Including 8 chainring bolts
00.6218.060.003	CHAIN RING ROAD 44T DM X-SYNC BLACK/SILVER (RED E1) Including 8 chainring bolts
00.6218.060.004	CHAIN RING ROAD 46T DM X-SYNC BLACK/SILVER (RED E1) Including 8 chainring bolts

94BCD

00.6218.015.004	CHAIN RING ROAD 43T 94BCD 2X12 FORCE WIDE POLAR GREY WITH COVER PLATE
00.6218.015.005	CHAIN RING ROAD 30T 94BCD 2X12 FORCE/RIVAL WIDE BLAST BLACK
11.6318.005.000	CHAIN JAM GUARD FOR 43/30T FORCE WIDE (SNAP-ON GUARD 30T INNER RING)

107 BCD

00.6218.014.000	CHAIN RING ROAD 44T 107BCD X-SYNC BLAST BLACK
00.6218.014.001	CHAIN RING ROAD 46T 107BCD X-SYNC BLAST BLACK
00.6218.014.002	CHAIN RING ROAD 40T 107BCD X-SYNC POLAR GREY
00.6218.014.003	CHAIN RING ROAD 42T 107BCD X-SYNC POLAR GREY
00.6218.014.004	CHAIN RING ROAD 44T 107BCD X-SYNC POLAR GREY
00.6218.014.005	CHAIN RING ROAD 46T 107BCD X-SYNC POLAR GREY
00.6218.014.006	CHAIN RING ROAD 36T 107BCD X-SYNC BLAST BLACK
00.6218.014.007	CHAIN RING ROAD 38T 107BCD X-SYNC BLAST BLACK
00.6218.014.008	CHAIN RING ROAD 40T 107BCD X-SYNC BLAST BLACK
00.6218.014.009	CHAIN RING ROAD 42T 107BCD X-SYNC BLAST BLACK
00.6218.015.000	CHAIN RING ROAD 33T 107BCD 2X12 FORCE BLAST BLACK
00.6218.015.001	CHAIN RING ROAD 35T 107BCD 2X12 FORCE BLAST BLACK
00.6218.015.002	CHAIN RING ROAD 46T 107BCD 2X12 FORCE POLAR GREY WITH COVER PLATE
00.6218.015.003	CHAIN RING ROAD 48T 107BCD 2X12 FORCE POLAR GREY WITH COVER PLATE

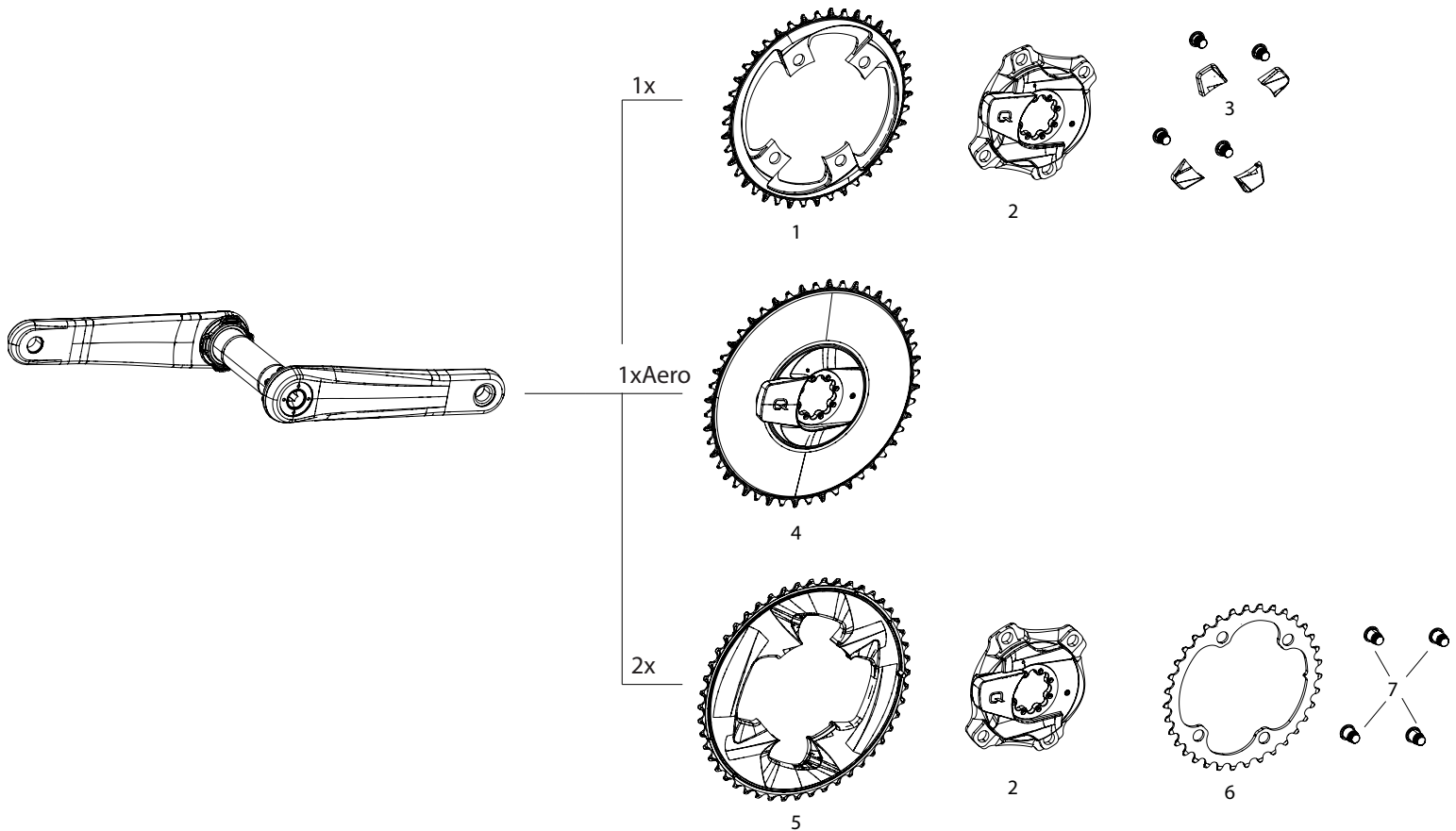
[More chain rings see next page](#)



PART NUMBER	DESCRIPTION
<u>110 BCD</u>	
11.6215.197.020	CHAIN RING ROAD 34T V1 110 ALUM 3MM BLACK (50-34)
11.6215.197.160	CHAIN RING ROAD 36T V3 110 ALUM 3MM BLACK (50-36, 52-36, 46-36)
11.6215.197.080	CHAIN RING ROAD 48T 110 V2 ALUMINUM 4MM BLACK BB30 SHORT PIN (48 34)
11.6215.197.090	CHAIN RING ROAD 48T 110 V2 ALUMINUM 4MM BLACK GXP LONG PIN (48-34)
11.6215.197.050	CHAIN RING ROAD 50T 110 A V4 ALUMINUM 4MM BLACK (50-36)
11.6215.197.060	CHAIN RING ROAD 50T 110 B V2 ALUMINUM 4MM BLACK (50-34)
11.6218.039.002	CHAIN RING ROAD ASYMMETRICAL 34T 110 STEEL BLACK (50-34)
11.6218.039.001	CHAIN RING ROAD ASYMMETRICAL 46T 110 ALUM 3MM BLACK (46-34)
11.6218.039.000	CHAIN RING ROAD ASYMMETRICAL 50T 110 ALUM 3MM BLACK (50-34)
11.6218.010.001	CHAIN RING ROAD FORCE22 X-GLIDE R 50T YAW 11 SPEED S3 HIDDEN BOLT/NON HIDDEN BOLT 110 ALUM 5MM BLAST BLACK BB30 OR GXP (50-34)
11.6215.198.010	CHAIN RING ROAD RED 50T S1 110 ALUM 4MM BLACK(50-34)
11.6218.031.010	CHAIN RING ROAD RED B2 X-GLIDE 50T YAW 11 SPEED S3 110 ALUM 5MM BLAST BLACK 2-PIN (50-34)
11.6218.031.000	CHAIN RING ROAD RED B2 X-GLIDE 52T YAW 11 SPEED S2 110 ALUM 5MM BLAST BLACK 2-PIN (52-36)
11.6218.001.001	CHAIN RING ROAD RED2012 X-GLIDE R 34T YAW 10 SPEED S1 110 ALUM 3MM BLASTBLACK (50-34)
11.6218.010.000	CHAIN RING ROAD RED22 X-GLIDE R 50T YAW 11 SPEED S3 HIDDEN BOLT/NON-HIDDEN BOLT 110 ALUM 5MM FALCON GREY BB30 OR GXP (50-34)
11.6218.010.008	CHAIN RING ROAD RED22/FORCE22/RIVAL22 X-GLIDE R 34T YAW 11 SPEED S2 110 ALUM 3MM BLAST BLACK (50-34)
11.6218.010.009	CHAIN RING ROAD RED22/FORCE22/RIVAL22 X-GLIDE R 36T YAW 11 SPEED S1 110 ALUM 3MM BLAST BLACK (52-36, 46-36)
11.6218.016.001	CHAIN RING ROAD RIVAL22 X-GLIDE R 50T YAW 11 SPEED S3 HIDDEN BOLT/NON-HIDDEN BOLT 110 ALUM 5MM SILVER BB30 OR GXP (50-34)
11.6218.016.000	CHAIN RING ROAD X-GLIDE R 52T YAW 11 SPEED S2 HIDDEN BOLT/NON-HIDDEN BOLT 110 ALUM 5MM SILVER BB30 OR GXP (52-36)
11.6218.015.000	CHAIN RING X-SYNC 38T 11 SPEED 110 ALUM ARGON GREY BB30 OR GXP
11.6218.015.001	CHAIN RING X-SYNC 40T 11 SPEED 110 ALUM ARGON GREY BB30 OR GXP
11.6218.037.000	CHAIN RING X-SYNC 40T 11 SPEED APEX1 ASYMMETRIC 110BCD ALUM BLACK BB30 OR GXP
11.6218.015.002	CHAIN RING X-SYNC 42T 11 SPEED 110 ALUM ARGON GREY BB30 OR GXP
11.6218.019.004	CHAIN RING X-SYNC 42T 11 SPEED 110 ALUM BLACK BB30 OR GXP
11.6218.051.000	CHAIN RING X-SYNC 42T 11 SPEED 110 ALUMINUM BLACK (FOR S350 AEROGUARD)
11.6218.037.010	CHAIN RING X-SYNC 42T 11 SPEED APEX1 ASYMMETRIC 110BCD ALUM BLACK BB30 OR GXP
11.6218.015.003	CHAIN RING X-SYNC 44T 11 SPEED 110 ALUM ARGON GREY BB30 OR GXP
11.6218.051.001	CHAIN RING X-SYNC 44T 11 SPEED 110 ALUMINUM BLACK (FOR S350 AEROGUARD)
11.6218.037.020	CHAIN RING X-SYNC 44T 11 SPEED APEX1 ASYMMETRIC 110BCD ALUM BLACK BB30 OR GXP
11.6218.015.004	CHAIN RING X-SYNC 46T 11 SPEED 110 ALUM ARGON GREY BB30 OR GXP
11.6218.019.000	CHAIN RING X-SYNC 48T 11 SPEED 110 ALUM BLACK BB30 OR GXP
<u>130 BCD</u>	
11.6215.197.010	CHAIN RING ROAD 39T V2 130 ALUM 3MM BLACK (53-39, 48-39)
11.6215.197.110	CHAIN RING ROAD 48T 130 SS TRACK V1 AL3 BLACK
11.6215.104.000	CHAIN RING ROAD 52T 130 TRIPLE V2 STEEL MATTE BLACK (52-42-30)
11.6218.032.000	CHAIN RING ROAD RED B2 X-GLIDE 53T YAW 11 SPEED S3 130 ALUM 5MM BLAST BLACK 2-PIN (53-39)
11.6218.000.001	CHAIN RING ROAD RED2012 X-GLIDE R 39T YAW 10 SPEED S1 130 ALUM 3MM BLASTBLACK (53-39)
11.6218.009.000	CHAIN RING ROAD RED22 X-GLIDE R 53T YAW 11 SPEED S3 HIDDEN BOLT/NON-HIDDEN BOLT 130 ALUM 5MM FALCON GREY BB30 OR GXP (53-39)
11.6218.009.005	CHAIN RING ROAD RED22/FORCE22 X-GLIDE R 39T YAW 11 SPEED S2 130 ALUM 3MM BLAST BLACK (53-39)
<u>144 BCD</u>	
11.6215.197.100	CHAIN RING ROAD 48T 144 V1 TRACK OMNIUM ALUMINUM 5MM BLACK

# CHAINRINGS FORCE 1x / 2x POWERMETER AXS

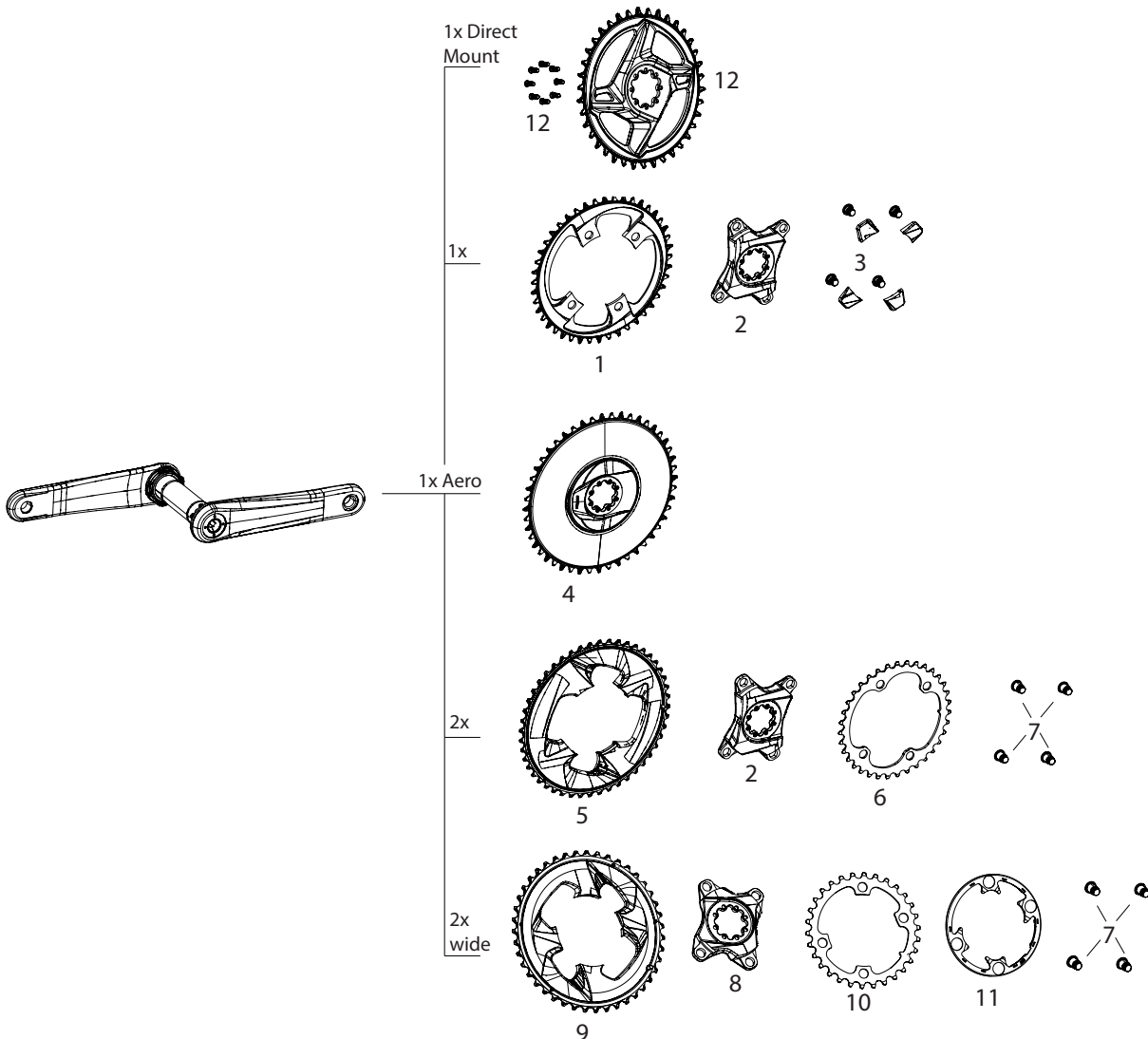
PM-FRC-1-D1 PM-FRC-D1 / D2



NO.	PART NUMBER	DESCRIPTION
1	00.6218.014.006	CHAIN RING ROAD 36T 107BCD X-SYNC BLAST BLACK
1	00.6218.014.007	CHAIN RING ROAD 38T 107BCD X-SYNC BLAST BLACK
1	00.6218.014.008	CHAIN RING ROAD 40T 107BCD X-SYNC BLAST BLACK
1	00.6218.014.009	CHAIN RING ROAD 42T 107BCD X-SYNC BLAST BLACK
1	00.6218.014.000	CHAIN RING ROAD 44T 107BCD X-SYNC BLAST BLACK
1	00.6218.014.001	CHAIN RING ROAD 46T 107BCD X-SYNC BLAST BLACK
2	00.3018.229.000	POWER METER SPIDER RED/FORCE AXS D1 107BCD
3	11.6918.004.001	CHAINRING BOLT KIT 4X1 M8X6.5X3.4 ALUMINUM INCLUDING BOLT COVERS BLACK QTY 4
4	00.3018.227.000	POWER METER KIT DM 48T RED/FORCE AXS D1 AERO BLACK (POWER METER INCLUDING CHAINRING)
4	00.3018.227.001	POWER METER KIT DM 50T RED/FORCE AXS D1 AERO BLACK (POWER METER INCLUDING CHAINRING)
4	00.3018.227.002	POWER METER KIT DM 52T RED/FORCE AXS D1 AERO BLACK (POWER METER INCLUDING CHAINRING)
5	00.6218.015.002	CHAIN RING ROAD 46T 107BCD 2X12 FORCE POLAR GREY WITH COVER PLATE
5	00.6218.015.003	CHAIN RING ROAD 48T 107BCD 2X12 FORCE POLAR GREY WITH COVER PLATE
6	00.6218.015.000	CHAIN RING ROAD 33T 107BCD 2X12 FORCE BLAST BLACK
6	00.6218.015.001	CHAIN RING ROAD 35T 107BCD 2X12 FORCE BLAST BLACK
7	11.6918.004.000	CHAINRING BOLT KIT 4X2 M8X4.75X8.75 ALUMINUM 94/107 BCD BLACK QTY 4
ns	11.3018.010.002	POWER METER BATTERY LID AND COVER QUARQ RED 2X (D1) AND FORCE D2 2X ETAP AXS AND AERO (UPDATED LASER ETCHED COIN CELL WARNING)
ns	11.3018.010.003	POWER METER BATTERY LID AND COVER QUARQ ETAP AXS FORCE D1 2X/1X AND RED 1X D1 (UPDATED LASER ETCHED COIN CELL WARNING)
ns	11.6118.063.000	CRANK MOUNTING BOLT KIT - REMOVABLE SPIDER / CHAINRING DIRECT MOUNT - TORX T20 QTY 8

# CHAINRINGS FORCE 1x / 2x NON-POWER

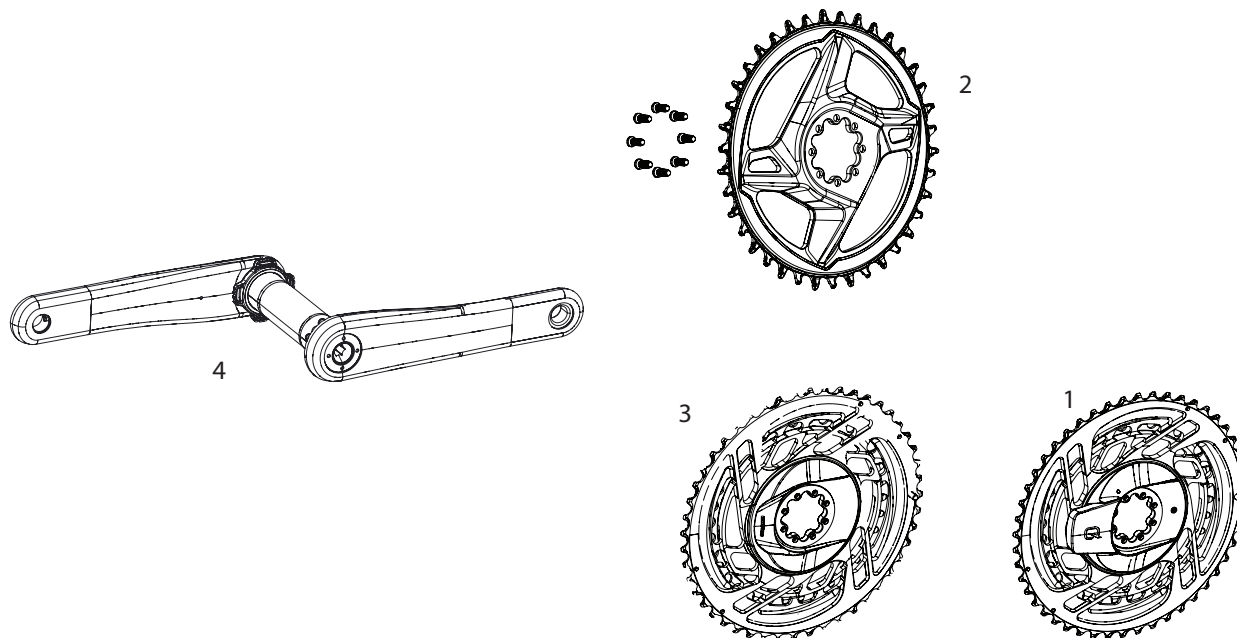
FC-FRC-1-D1 / FC-FRC-D1/ FC-FRC-W-D1/ FC-FRC-1W-D1 / D2



NO.	PART NUMBER	DESCRIPTION
1	00.6218.014.006	CHAIN RING ROAD 36T 107BCD X-SYNC BLAST BLACK
1	00.6218.014.007	CHAIN RING ROAD 38T 107BCD X-SYNC BLAST BLACK
1	00.6218.014.008	CHAIN RING ROAD 40T 107BCD X-SYNC BLAST BLACK
1	00.6218.014.009	CHAIN RING ROAD 42T 107BCD X-SYNC BLAST BLACK
1	00.6218.014.000	CHAIN RING ROAD 44T 107BCD X-SYNC BLAST BLACK
1	00.6218.014.001	CHAIN RING ROAD 46T 107BCD X-SYNC BLAST BLACK
2	11.6118.062.000	SPIDER RED/FORCE D1 107BCD (NO POWER METER, INCLUDING 8 TORX MOUNTING BOLTS, 4 CHAINRING BOLTS AND COVERS)
3	11.6918.004.001	CHAINRING BOLT KIT 4X1 M8X6.5X3.4 ALUMINUM INCLUDING BOLT COVERS BLACK QTY 4
4	00.6218.016.000	CHAIN RING ROAD 48T DM X-SYNC AERO BLAST BLACK
4	00.6218.016.001	CHAIN RING ROAD 50T DM X-SYNC AERO BLAST BLACK
5	00.6218.015.002	CHAIN RING ROAD 46T 107BCD 2X12 FORCE POLAR GREY WITH COVER PLATE
5	00.6218.015.003	CHAIN RING ROAD 48T 107BCD 2X12 FORCE POLAR GREY WITH COVER PLATE
6	00.6218.015.000	CHAIN RING ROAD 33T 107BCD 2X12 FORCE BLAST BLACK
6	00.6218.015.001	CHAIN RING ROAD 35T 107BCD 2X12 FORCE BLAST BLACK
7	11.6918.004.000	CHAINRING BOLT KIT 4X2 M8X4.75X8.75 ALUMINUM 94/107 BCD BLACK QTY 4
8	11.6118.062.001	SPIDER FORCE D1 WIDE 94BCD (NO POWER METER, INCLUDING 8 TORX MOUNTING BOLTS AND CHAINRING BOLTS)
9	00.6218.015.004	CHAIN RING ROAD 43T 94BCD 2X12 FORCE WIDE POLAR GREY WITH COVER PLATE
10	00.6218.015.005	CHAIN RING ROAD 30T 94BCD 2X12 FORCE/RIVAL WIDE BLAST BLACK
11	11.6318.005.000	CHAIN JAM GUARD FOR 43/30T FORCE WIDE (SNAP-ON GUARD 30T INNER RING)
12	00.6218.026.000	CHAIN RING ROAD 38T DM X-SYNC GREY (RED / FORCE)
12	00.6218.026.001	CHAIN RING ROAD 40T DM X-SYNC GREY (RED / FORCE)
12	00.6218.026.002	CHAIN RING ROAD 42T DM X-SYNC GREY (RED / FORCE)
12	00.6218.026.003	CHAIN RING ROAD 44T DM X-SYNC GREY (RED / FORCE)
12	00.6218.026.004	CHAIN RING ROAD 46T DM X-SYNC GREY (RED / FORCE)
ns	11.6118.063.000	CRANK MOUNTING BOLT KIT - REMOVABLE SPIDER / CHAINRING DIRECT MOUNT - TORX T20 QTY 8

# CHAINRINGS FORCE D2 2x POWER AND NON-POWER

FC-FRC-D2/ FC-FRC-W-D2



NO.	PART NUMBER	DESCRIPTION
1	00.3018.357.000	POWER METER KIT SPIDER DM 4633T FORCE AXS D2 BLACK (POWER METER INCLUDING CHAINRINGS)
1	00.3018.357.001	POWER METER KIT SPIDER DM 4835T FORCE AXS D2 BLACK (POWER METER INCLUDING CHAINRINGS)
1	00.3018.357.002	POWER METER KIT SPIDER DM 5037T FORCE AXS D2 BLACK (POWER METER INCLUDING CHAINRINGS)
2	00.6218.026.000	CHAIN RING ROAD 38T DM X-SYNC GREY (RED / FORCE)
2	00.6218.026.001	CHAIN RING ROAD 40T DM X-SYNC GREY (RED / FORCE)
2	00.6218.026.002	CHAIN RING ROAD 42T DM X-SYNC GREY (RED / FORCE)
2	00.6218.026.003	CHAIN RING ROAD 44T DM X-SYNC GREY (RED / FORCE)
2	00.6218.026.004	CHAIN RING ROAD 46T DM X-SYNC GREY (RED / FORCE)
3	00.6218.043.000	CHAIN RING ROAD 4633T DM KIT NON-POWER FORCE D2 BLACK
3	00.6218.043.001	CHAIN RING ROAD 4835T DM KIT NON-POWER FORCE D2 BLACK
3	00.6218.043.002	CHAIN RING ROAD 5037T DM KIT NON-POWER FORCE D2 BLACK

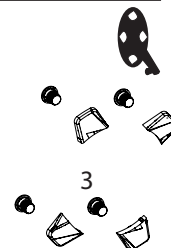
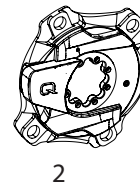
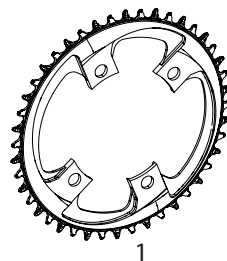
## RIGHT ARM/BB/SPIDER/CHAINRINGS NOT INCLUDED

ns	00.3018.358.000	LEFT ARM AND POWER METER SPINDLE ASSEMBLY FORCE D2 - UNICORN GREY W/LASER FOIL - DUB WIDE 165
ns	00.3018.358.001	LEFT ARM AND POWER METER SPINDLE ASSEMBLY FORCE D2 - UNICORN GREY W/LASER FOIL - DUB WIDE 167.5
ns	00.3018.358.002	LEFT ARM AND POWER METER SPINDLE ASSEMBLY FORCE D2 - UNICORN GREY W/LASER FOIL - DUB WIDE 170
ns	00.3018.358.003	LEFT ARM AND POWER METER SPINDLE ASSEMBLY FORCE D2 - UNICORN GREY W/LASER FOIL - DUB WIDE 172.5
ns	00.3018.358.004	LEFT ARM AND POWER METER SPINDLE ASSEMBLY FORCE D2 - UNICORN GREY W/LASER FOIL - DUB WIDE 175
ns	00.3018.358.005	LEFT ARM AND POWER METER SPINDLE ASSEMBLY FORCE D2 - UNICORN GREY W/LASER FOIL - DUB WIDE 177.5
ns	00.3018.362.000	LEFT ARM AND POWER METER SPINDLE ASSEMBLY FORCE D2 - UNICORN GREY W/LASER FOIL - DUB 165
ns	00.3018.362.001	LEFT ARM AND POWER METER SPINDLE ASSEMBLY FORCE D2 - UNICORN GREY W/LASER FOIL - DUB 167.5
ns	00.3018.362.002	LEFT ARM AND POWER METER SPINDLE ASSEMBLY FORCE D2 - UNICORN GREY W/LASER FOIL - DUB 170
ns	00.3018.362.003	LEFT ARM AND POWER METER SPINDLE ASSEMBLY FORCE D2 - UNICORN GREY W/LASER FOIL - DUB 172.5
ns	00.3018.362.004	LEFT ARM AND POWER METER SPINDLE ASSEMBLY FORCE D2 - UNICORN GREY W/LASER FOIL - DUB 175
ns	00.3018.362.005	LEFT ARM AND POWER METER SPINDLE ASSEMBLY FORCE D2 - UNICORN GREY W/LASER FOIL - DUB 177.5
4	00.6118.661.000	Crank Arm Assembly Force D2 DUB - Unicorn Grey w/Laser Foil - 165mm (BB/Chainrings not included)
4	00.6118.661.001	Crank Arm Assembly Force D2 DUB - Unicorn Grey w/Laser Foil - 167.5mm (BB/Chainrings not included)
4	00.6118.661.002	Crank Arm Assembly Force D2 DUB - Unicorn Grey w/Laser Foil - 170mm (BB/Chainrings not included)
4	00.6118.661.003	Crank Arm Assembly Force D2 DUB - Unicorn Grey w/Laser Foil - 172.5mm (BB/Chainrings not included)
4	00.6118.661.004	Crank Arm Assembly Force D2 DUB - Unicorn Grey w/Laser Foil - 175mm (BB/Chainrings not included)
4	00.6118.661.005	Crank Arm Assembly Force D2 DUB - Unicorn Grey w/Laser Foil - 177.5mm (BB/Chainrings not included)
4	00.6118.667.000	Crank Arm Assembly Force D2 DUB Wide - Unicorn Grey w/Laser Foil - 165mm (BB/Spider/Chainrings not included)
4	00.6118.667.001	Crank Arm Assembly Force D2 DUB Wide - Unicorn Grey w/Laser Foil - 167.5mm (BB/Spider/Chainrings not included)
4	00.6118.667.002	Crank Arm Assembly Force D2 DUB Wide - Unicorn Grey w/Laser Foil - 170mm (BB/Spider/Chainrings not included)
4	00.6118.667.003	Crank Arm Assembly Force D2 DUB Wide - Unicorn Grey w/Laser Foil - 172.5mm (BB/Spider/Chainrings not included)
4	00.6118.667.004	Crank Arm Assembly Force D2 DUB Wide - Unicorn Grey w/Laser Foil - 175mm (BB/Spider/Chainrings not included)
4	00.6118.667.005	Crank Arm Assembly Force D2 DUB Wide - Unicorn Grey w/Laser Foil - 177.5mm (BB/Spider/Chainrings not included)
ns	11.6118.063.000	CRANK MOUNTING BOLT KIT - REMOVABLE SPIDER / CHAINRING DIRECT MOUNT - TORX T20 QTY 8

# CHAINRINGS RED 1x / 2x POWERMETER AXS

PM-RED-1-D1 / PM-RED-D1 / PM-RED-E1 / PM-RED-1P-E1 /  
FC-RED-1P-E1 / FC-RED-P-E1

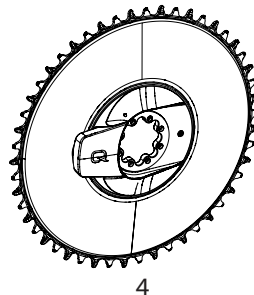
1x



2

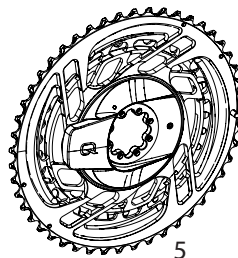
3

1x Aero

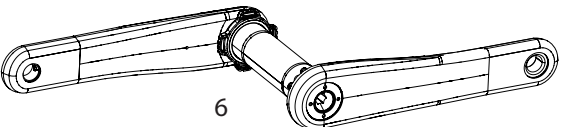


4

2x



5



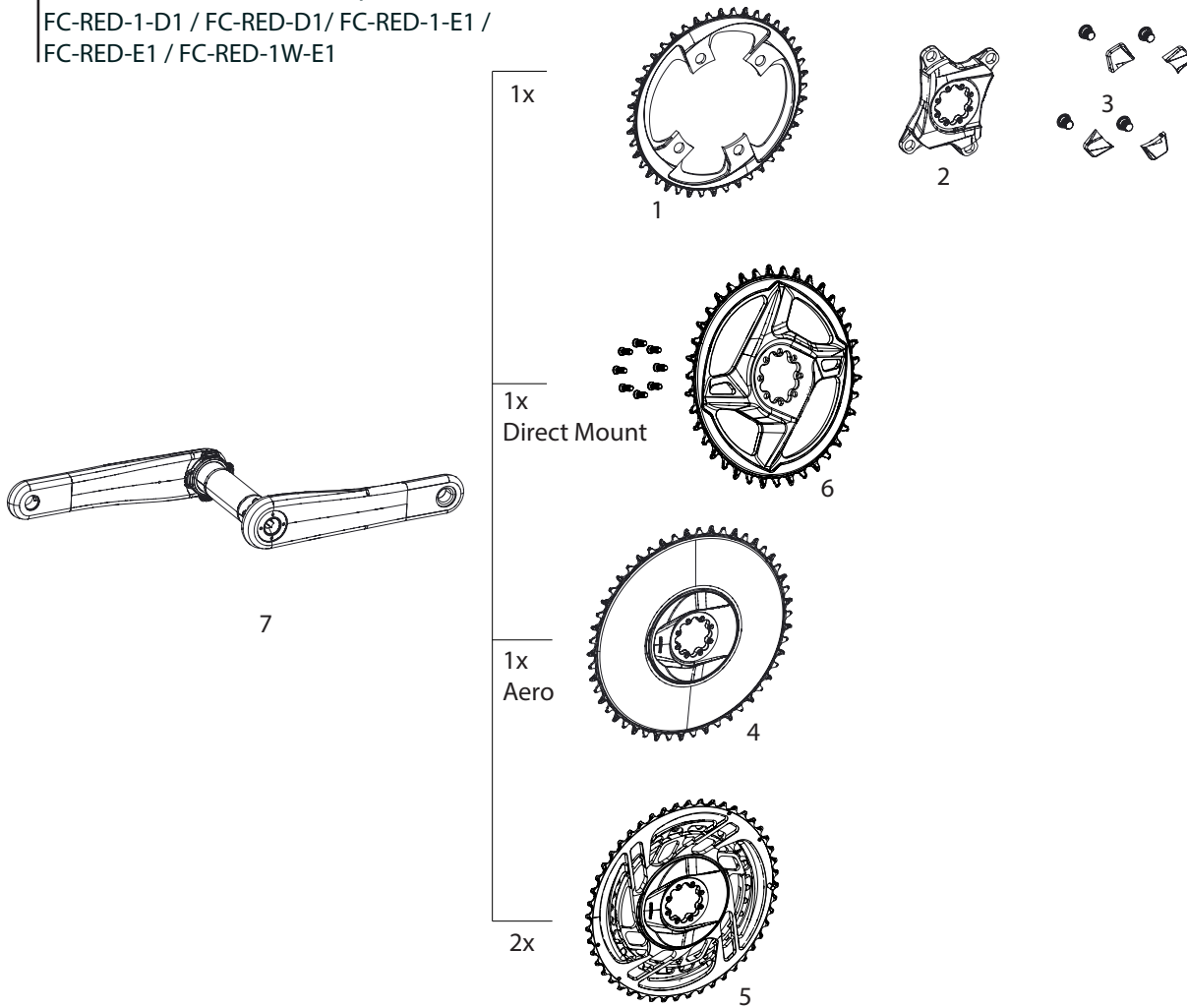
6

NO.	PART NUMBER	DESCRIPTION
1	00.6218.014.002	CHAIN RING ROAD 40T 107BCD X-SYNC POLAR GREY
1	00.6218.014.003	CHAIN RING ROAD 42T 107BCD X-SYNC POLAR GREY
1	00.6218.014.004	CHAIN RING ROAD 44T 107BCD X-SYNC POLAR GREY
1	00.6218.014.005	CHAIN RING ROAD 46T 107BCD X-SYNC POLAR GREY
2	11.6118.062.000	SPIDER RED/FORCE D1 107BCD (NO POWER METER, INCLUDING 8 TORX MOUNTING BOLTS, 4 CHAINRING BOLTS AND COVERS)
3	11.6918.004.001	CHAINRING BOLT KIT 4X1 M8X6.5X3.4 ALUMINUM INCLUDING BOLT COVERS BLACK QTY 4
4	00.3018.227.000	POWER METER KIT DM 48T RED/FORCE AXS D1 AERO BLACK (POWER METER INCLUDING CHAINRING)
4	00.3018.227.001	POWER METER KIT DM 50T RED/FORCE AXS D1 AERO BLACK (POWER METER INCLUDING CHAINRING)
4	00.3018.227.002	POWER METER KIT DM 52T RED/FORCE AXS D1 AERO BLACK (POWER METER INCLUDING CHAINRING)
4	00.3018.386.000	POWER METER KIT DM 48T RED AXS E1 AERO BLACK/SILVER (POWER METER INCLUDING CHAINRING)
4	00.3018.386.001	POWER METER KIT DM 50T RED AXS E1 AERO BLACK/SILVER (POWER METER INCLUDING CHAINRING)
4	00.3018.386.002	POWER METER KIT DM 52T RED AXS E1 AERO BLACK/SILVER (POWER METER INCLUDING CHAINRING)
5	00.3018.228.000	POWER METER KIT DM 4633T RED AXS D1 POLAR GREY (POWER METER INCLUDING CHAINRINGS)
5	00.3018.228.001	POWER METER KIT DM 4835T RED AXS D1 POLAR GREY (POWER METER INCLUDING CHAINRINGS)
5	00.3018.228.002	POWER METER KIT DM 5037T RED AXS D1 POLAR GREY (POWER METER INCLUDING CHAINRINGS)
5	00.3018.387.000	POWER METER KIT DM 4633T RED AXS E1 BLACK/SILVER (POWER METER INCLUDING CHAINRINGS, FD SETUP TOOL)
5	00.3018.387.001	POWER METER KIT DM 4835T RED AXS E1 BLACK/SILVER (POWER METER INCLUDING CHAINRINGS, FD SETUP TOOL)
5	00.3018.387.002	POWER METER KIT DM 5037T RED AXS E1 BLACK/SILVER (POWER METER INCLUDING CHAINRINGS, FD SETUP TOOL)
5	00.3018.387.003	POWER METER KIT DM 5239T RED AXS E1 BLACK/SILVER (POWER METER INCLUDING CHAINRINGS, FD SETUP TOOL, FD SHIM)
5	00.3018.387.004	POWER METER KIT DM 5441T RED AXS E1 BLACK/SILVER (POWER METER INCLUDING CHAINRINGS, FD SETUP TOOL, FD SHIM)
5	00.3018.387.005	POWER METER KIT DM 5643T RED AXS E1 BLACK/SILVER (POWER METER INCLUDING CHAINRINGS, FD SETUP TOOL, FD SHIM)
ns	11.3018.010.002	POWER METER BATTERY LID AND COVER QUARQ RED 2X (D1) AND FORCE D2 2X ETAP AXS AND AERO (UPDATED LASER ETCHED COIN CELL WARNING)
ns	11.3018.010.003	POWER METER BATTERY LID AND COVER QUARQ ETAP AXS FORCE D1 2X/1X AND RED 1X D1 (UPDATED LASER ETCHED COIN CELL WARNING)
ns	11.3018.010.004	POWER METER BATTERY LID AND COVER RED AXS E1
6	00.6118.690.000	CRANK ARM ASSEMBLY RED E1 DUB 160MM (BB/CHAINRINGS NOT INCLUDED)
6	00.6118.690.001	CRANK ARM ASSEMBLY RED E1 DUB 165MM (BB/CHAINRINGS NOT INCLUDED)
6	00.6118.690.002	CRANK ARM ASSEMBLY RED E1 DUB 1675MM (BB/CHAINRINGS NOT INCLUDED)
6	00.6118.690.003	CRANK ARM ASSEMBLY RED E1 DUB 170MM (BB/CHAINRINGS NOT INCLUDED)
6	00.6118.690.004	CRANK ARM ASSEMBLY RED E1 DUB 1725MM (BB/CHAINRINGS NOT INCLUDED)
6	00.6118.690.005	CRANK ARM ASSEMBLY RED E1 DUB 175MM (BB/CHAINRINGS NOT INCLUDED)
ns	11.6118.063.000	CRANK MOUNTING BOLT KIT - REMOVABLE SPIDER / CHAINRING DIRECT MOUNT - TORX T20 QTY 8



# CHAINRINGS RED 1x / 2x NON-POWER

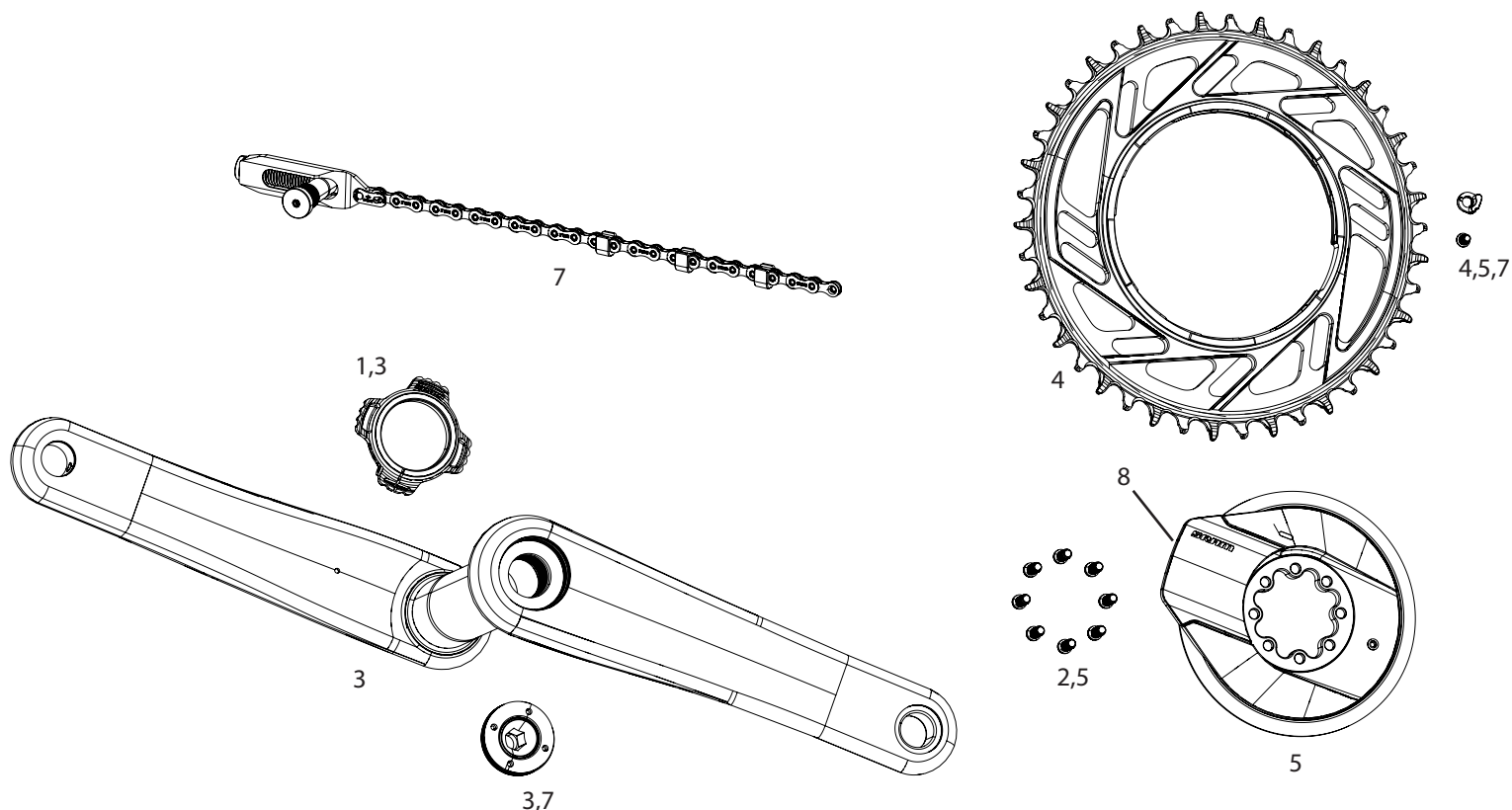
FC-RED-1-D1 / FC-RED-D1/ FC-RED-1-E1 /  
FC-RED-E1 / FC-RED-1W-E1



NO.	PART NUMBER	DESCRIPTION
1	00.6218.014.002	CHAIN RING ROAD 40T 107BCD X-SYNC POLAR GREY
1	00.6218.014.003	CHAIN RING ROAD 42T 107BCD X-SYNC POLAR GREY
1	00.6218.014.004	CHAIN RING ROAD 44T 107BCD X-SYNC POLAR GREY
1	00.6218.014.005	CHAIN RING ROAD 46T 107BCD X-SYNC POLAR GREY
2	11.6118.062.000	SPIDER RED/FORCE D1 107BCD (NO POWER METER, INCLUDING 8 TORX MOUNTING BOLTS, 4 CHAINRING BOLTS AND COVERS)
3	11.6918.004.001	CHAINRING BOLT KIT 4X1 M8X6.5X3.4 ALUMINUM INCLUDING BOLT COVERS BLACK QTY 4
4	00.6218.016.000	CHAIN RING ROAD 48T DM X-SYNC AERO BLAST BLACK
4	00.6218.016.001	CHAIN RING ROAD 50T DM X-SYNC AERO BLAST BLACK
4	00.6218.048.000	CHAIN RING ROAD 48T DM X-SYNC AERO RED E1
4	00.6218.048.001	CHAIN RING ROAD 50T DM X-SYNC AERO RED E1
5	00.6218.046.000	CHAIN RING ROAD 4633T DM KIT NON-POWER RED E1 BLACK/SILVER
5	00.6218.046.001	CHAIN RING ROAD 4835T DM KIT NON-POWER RED E1 BLACK/SILVER
5	00.6218.060.002	CHAIN RING ROAD 5037T DM KIT NON-POWER RED E1 BLACK/SILVER
6	00.6218.060.000	CHAIN RING ROAD 38T DM X-SYNC BLACK/SILVER (RED E1) Including 8 chainring bolts
6	00.6218.060.001	CHAIN RING ROAD 40T DM X-SYNC BLACK/SILVER (RED E1) Including 8 chainring bolts
6	00.6218.060.002	CHAIN RING ROAD 42T DM X-SYNC BLACK/SILVER (RED E1) Including 8 chainring bolts
6	00.6218.060.003	CHAIN RING ROAD 44T DM X-SYNC BLACK/SILVER (RED E1) Including 8 chainring bolts
6	00.6218.060.004	CHAIN RING ROAD 46T DM X-SYNC BLACK/SILVER (RED E1) Including 8 chainring bolts
7	00.6118.690.000	CRANK ARM ASSEMBLY RED E1 DUB 160MM (BB/CHAINRINGS NOT INCLUDED)
7	00.6118.690.001	CRANK ARM ASSEMBLY RED E1 DUB 165MM (BB/CHAINRINGS NOT INCLUDED)
7	00.6118.690.002	CRANK ARM ASSEMBLY RED E1 DUB 167.5MM (BB/CHAINRINGS NOT INCLUDED)
7	00.6118.690.003	CRANK ARM ASSEMBLY RED E1 DUB 170MM (BB/CHAINRINGS NOT INCLUDED)
7	00.6118.690.004	CRANK ARM ASSEMBLY RED E1 DUB 172.5MM (BB/CHAINRINGS NOT INCLUDED)
7	00.6118.690.005	CRANK ARM ASSEMBLY RED E1 DUB 175MM (BB/CHAINRINGS NOT INCLUDED)
7	00.6118.690.006	CRANK ARM ASSEMBLY RED XPLR DUB WIDE E1 160MM (BB/SPIDER/CHAINRINGS NOT INCLUDED)
7	00.6118.690.007	CRANK ARM ASSEMBLY RED XPLR DUB WIDE E1 165MM (BB/SPIDER/CHAINRINGS NOT INCLUDED)
7	00.6118.690.008	CRANK ARM ASSEMBLY RED XPLR DUB WIDE E1 167.5MM (BB/SPIDER/CHAINRINGS NOT INCLUDED)
7	00.6118.690.009	CRANK ARM ASSEMBLY RED XPLR DUB WIDE E1 170MM (BB/SPIDER/CHAINRINGS NOT INCLUDED)
7	00.6118.690.010	CRANK ARM ASSEMBLY RED XPLR DUB WIDE E1 172.5MM (BB/SPIDER/CHAINRINGS NOT INCLUDED)
7	00.6118.690.011	CRANK ARM ASSEMBLY RED XPLR DUB WIDE E1 175MM (BB/SPIDER/CHAINRINGS NOT INCLUDED)

# CHAINRINGS RED XPLR POWER

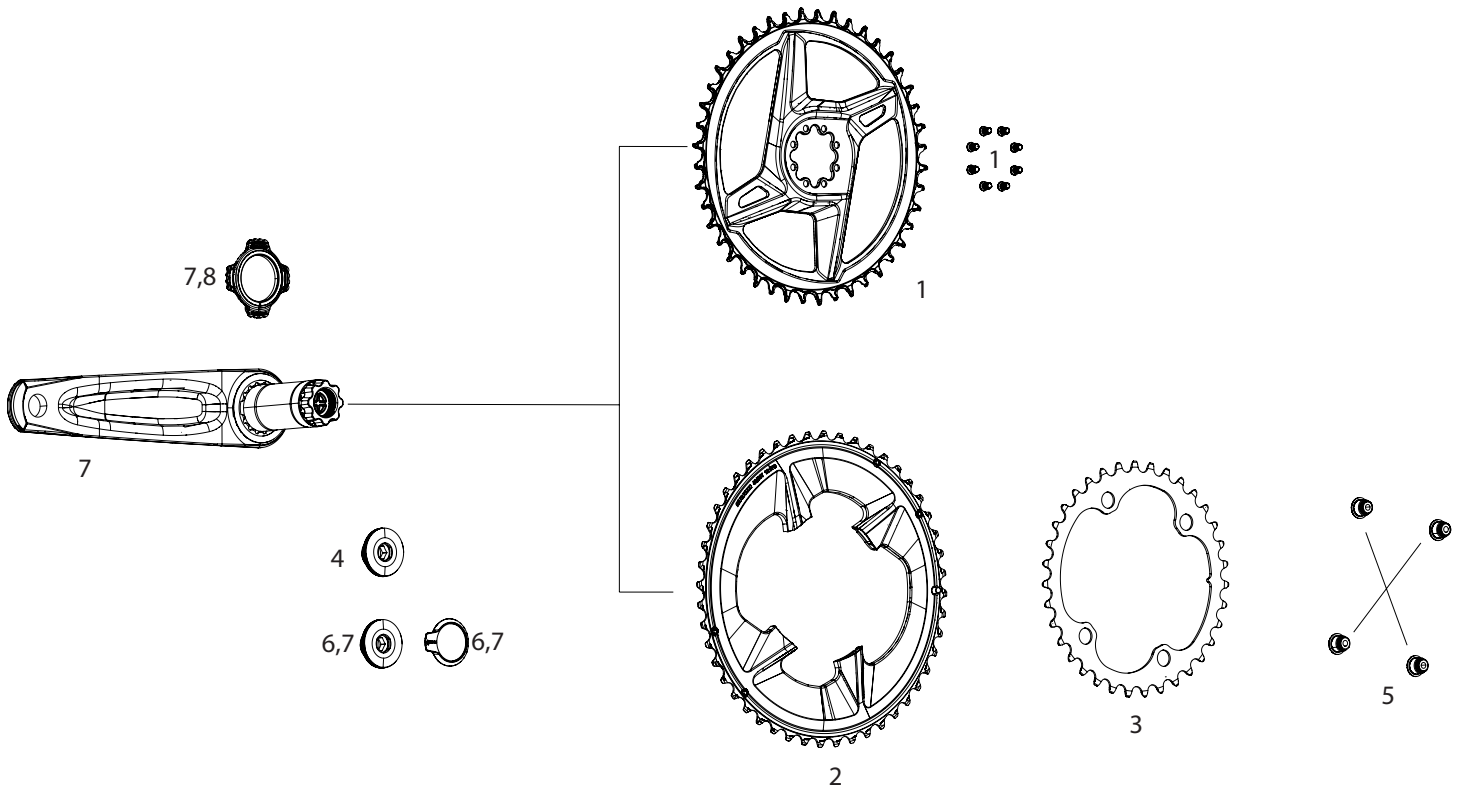
FC-RED-1WP-E1



NO.	PART NUMBER	DESCRIPTION
1	11.6418.001.001	BOTTOM BRACKET PRELOAD ADJUSTER KIT DUB (INCLUDING SCREW, OUTERRING AND 2 INNERRINGS NON-FLANGED & FLANGED)
2	11.6118.063.000	CRANK MOUNTING BOLT KIT - REMOVABLE SPIDER / CHAINRING DIRECT MOUNT - TORX T20 QTY 8
3	00.6118.690.006	Crank Arm Assembly RED XPLR DUB WIDE E1 160mm (BB/Spider/Chainrings not included)
3	00.6118.690.007	Crank Arm Assembly RED XPLR DUB WIDE E1 165mm (BB/Spider/Chainrings not included)
3	00.6118.690.008	Crank Arm Assembly RED XPLR DUB WIDE E1 1675mm (BB/Spider/Chainrings not included)
3	00.6118.690.009	Crank Arm Assembly RED XPLR DUB WIDE E1 170mm (BB/Spider/Chainrings not included)
3	00.6118.690.010	Crank Arm Assembly RED XPLR DUB WIDE E1 1725mm (BB/Spider/Chainrings not included)
3	00.6118.690.011	Crank Arm Assembly RED XPLR DUB WIDE E1 175mm (BB/Spider/Chainrings not included)
4	00.6218.047.000	CHAIN RING ROAD 46T THREADED MOUNT X-SYNC 6.5MM OFFSET RED E1 BLACK/SILVER (including thread back up pin for chainring)
4	00.6218.047.001	CHAIN RING ROAD 44T THREADED MOUNT X-SYNC 6.5MM OFFSET RED E1 BLACK/SILVER (including thread back up pin for chainring)
4	00.6218.047.002	CHAIN RING ROAD 42T THREADED MOUNT X-SYNC 6.5MM OFFSET RED E1 BLACK/SILVER (including thread back up pin for chainring)
4	00.6218.047.003	CHAIN RING ROAD 40T THREADED MOUNT X-SYNC 6.5MM OFFSET RED E1 BLACK/SILVER (including thread back up pin for chainring)
4	00.6218.047.004	CHAIN RING ROAD 38T THREADED MOUNT X-SYNC 6.5MM OFFSET RED E1 BLACK/SILVER (including thread back up pin for chainring)
5	00.3018.388.000	Power Meter spider AXS E1 for threaded mount chainrings - Red (including 8 bolts and thread back up pin for chainring)
6	00.6218.042.000	SRAM threaded chainring removal tool - including back-up pin (for XX D1 /XXSL D1 PowerMeters with thread mount rings)
7	11.6118.061.000	CRANK ARM BOLT KIT SELF-EXTRACTING M18/M30 DUB BLACK STEALTH
8	11.3018.010.004	POWER METER BATTERY LID AND COVER RED AXS E1

# CHAINRINGS RIVAL 1x / 2x POWER AND NON-POWER

PM-RIV-D1 / PM-RIV-W-D1 / PM-RIV-1W-D1 / PM-RIV-ASSY-D1 / FC-RIV-1W-D1 / FC-RIV-W-D1 / FC-RIV-D1



PN	PART NUMBER	DESCRIPTION
1	00.6218.027.000	CHAIN RING ROAD 38T DM X-SYNC BLACK (RIVAL)
1	00.6218.027.001	CHAIN RING ROAD 40T DM X-SYNC BLACK (RIVAL)
1	00.6218.027.002	CHAIN RING ROAD 42T DM X-SYNC BLACK (RIVAL)
1	00.6218.027.003	CHAIN RING ROAD 44T DM X-SYNC BLACK (RIVAL)
1	00.6218.027.004	CHAIN RING ROAD 46T DM X-SYNC BLACK (RIVAL)
2	00.6218.029.000	CHAIN RING ROAD 48T 107BCD 2X12 RIVAL BLACK WITH COVER PLATE
2	00.6218.029.002	CHAIN RING ROAD 46T 107BCD 2X12 RIVAL BLACK WITH COVER PLATE
2	00.6218.028.000	CHAIN RING ROAD 43T 94BCD 2X12 RIVAL WIDE BLACK WITH COVER PLATE
3	00.6218.015.005	CHAIN RING ROAD 30T 94BCD 2X12 FORCE/RIVAL WIDE BLAST BLACK
3	00.6218.029.001	CHAIN RING ROAD 35T 107BCD 2X12 RIVAL BLACK
3	00.6218.029.003	CHAIN RING ROAD 33T 107BCD 2X12 RIVAL BLACK
4	11.6118.066.000	CRANK ARM BOLT KIT SELF-EXTRACTING M18/M30 DUB STEEL BLACK
5	11.6918.004.003	CHAINRING BOLT KIT 4X2 M8X4.75X8.75 STEEL 94/107 BCD BLACK QTY 4
6	11.7918.005.000	POWERMETER CRANK ARM BOLT KIT, O-RING SLED AND AXS COVER PLUG DRIVE SIDE M18/M30 DUB STEEL BLACK RIVAL D1
7	00.3018.303.000	LEFT ARM AND POWER METER SPINDLE RIVAL D1 DUB 160 (RIGHT ARM/BB/SPIDER/CHAINRINGS NON INCLUDED)
7	00.3018.303.001	LEFT ARM AND POWER METER SPINDLE RIVAL D1 DUB 165 (RIGHT ARM/BB/SPIDER/CHAINRINGS NON INCLUDED)
7	00.3018.303.002	LEFT ARM AND POWER METER SPINDLE RIVAL D1 DUB 170 (RIGHT ARM/BB/SPIDER/CHAINRINGS NON INCLUDED)
7	00.3018.303.003	LEFT ARM AND POWER METER SPINDLE RIVAL D1 DUB 172.5 (RIGHT ARM/BB/SPIDER/CHAINRINGS NON INCLUDED)
7	00.3018.303.004	LEFT ARM AND POWER METER SPINDLE RIVAL D1 DUB 175 (RIGHT ARM/BB/SPIDER/CHAINRINGS NON INCLUDED)
7	00.3018.304.000	LEFT ARM AND POWER METER SPINDLE RIVAL D1 DUB WIDE 160 (RIGHT ARM/BB/SPIDER/CHAINRINGS NON INCLUDED)
7	00.3018.304.001	LEFT ARM AND POWER METER SPINDLE RIVAL D1 DUB WIDE 165 (RIGHT ARM/BB/SPIDER/CHAINRINGS NON INCLUDED)
7	00.3018.304.002	LEFT ARM AND POWER METER SPINDLE RIVAL D1 DUB WIDE 170 (RIGHT ARM/BB/SPIDER/CHAINRINGS NON INCLUDED)
7	00.3018.304.003	LEFT ARM AND POWER METER SPINDLE RIVAL D1 DUB WIDE 172.5 (RIGHT ARM/BB/SPIDER/CHAINRINGS NON INCLUDED)
7	00.3018.304.004	LEFT ARM AND POWER METER SPINDLE RIVAL D1 DUB WIDE 175 (RIGHT ARM/BB/SPIDER/CHAINRINGS NON INCLUDED)
ns	11.6318.005.000	CHAIN JAM GUARD FOR 43/30T FORCE WIDE (SNAP-ON GUARD 30T INNER RING)
8	11.6418.001.001	BOTTOM BRACKET PRELOAD ADJUSTER KIT DUB (INCLUDING SCREW, OUTERRING AND 2 INNERRINGS NON-FLANGED & FLANGED)
ns	11.6118.063.000	CRANK MOUNTING BOLT KIT - REMOVABLE SPIDER / CHAINRING DIRECT MOUNT - TORX T20 QTY 8

## CRANK (CHAIN RING) BOLTS, SPIDER, GUARDS

### CRANK

PART NUMBER	DESCRIPTION
11.6918.000.000	CHAINRING BOLT KIT 5X2 M8.5X7 / M8.5X5 STEEL BLACK, HIDDEN BOLT INCLUDING SPACER QTY 5
11.6918.000.001	CHAINRING BOLT KIT 5X2 M8.5X7 / M8.5X5 ALUMINUM BLACK, HIDDEN BOLT INCLUDING SPACER QTY 5
11.6915.009.000	CHAINRING BOLT KIT 5X2 M8.5X7 / M8.5X5 ALUMINUM BLACK QTY 5
11.6915.008.000	CHAINRING BOLT KIT 5X2 M8.5X7 / M8.5X5 ALUMINUM SILVER QTY 5
11.6915.012.000	CHAINRING BOLT KIT 5X2 M8.5X7 / M8.5X5 STEEL BLACK QTY 5
11.6918.004.000	CHAINRING BOLT KIT 4X2 M8X4.75X8.75 ALUMINUM 94/107 BCD BLACK QTY 4
11.6918.004.001	CHAINRING BOLT KIT 4X1 M8X6.5X3.4 ALUMINUM INCLUDING BOLT COVERS BLACK QTY 4
11.6918.006.000	CHAINRING BOLT KIT 4X1 M8.5X4.7 / M8.5X9.5MM STEEL BLACK LONG EAGLE EMTB QTY 4
11.6918.007.000	CHAINRING BOLT KIT 4X1 M10X0.75 T30 E-BIKE BOSCH/FAZUA QTY 4
11.6918.007.001	CHAINRING BOLT KIT 4X1 M10X0.75 T30 INCLUDING SPIDER ADJUSTMENT SCREW E-ROAD BIKE SBC MAHLE QTY 4
11.6918.008.000	CHAINRING BOLT KIT 5X1 M8.5X7.0 / M8.5X5.0 STEEL BLACK FOR AEROGUARD QTY 5
11.6218.017.000	CRANK CHAINRING SPACERS (QTY 5) INCLUDING HIDDEN BOLT/NUT KIT FOR CX1 CHAINRING
11.6900.002.160	CRANK ARM BOLT KIT M15/M26 ALLOY SELF-EXTRACTING GXP BLACK QTY 1
11.6900.002.140	CRANK ARM BOLT KIT M15/M26 ALLOY SELF-EXTRACTING GXP SILVER QTY 1
11.6115.115.000	CRANK ARM BOLT KIT M8 CAPLESS QTY 2 FOR SQUARE-TAPER & POWERSPLINE
11.6900.002.050	CRANK ARM BOLT KIT M15 CAPLESS QTY 2 FOR ISIS & HWTZR M15
11.6115.530.050	CRANK ARM BOLT KIT M18/M30 ALLOY SELF-EXTRACTING BB30 LEFT (BLACK RED, FORCE) QTY 1
11.6915.027.000	CRANK ARM BOLT KIT M15/M22 ALLOY SELF-EXTRACTING GXP QTY 1
11.6115.530.080	CRANK ARM BOLT KIT SELF EXTRACTING M15/M22 GXP BLACK
11.6118.065.000	CRANK ARM BOLT KIT SELF-EXTRACTING M18/M30 DUB LUNAR
11.6118.066.000	CRANK ARM BOLT KIT SELF-EXTRACTING M18/M30 DUB STEEL BLACK
11.6118.033.000	CRANK SPIDER FORCE22/CX1 110 11SPEED BLAST BLACK
11.6118.033.001	CRANK SPIDER FORCE22/CX1 130 11SPEED BLAST BLACK
11.6118.062.000	SPIDER RED/FORCE D1 107BCD (NO POWER METER, INCLUDING 8 TORX MOUNTING BOLTS, 4 CHAINRING BOLTS AND COVERS)
11.6118.064.000	SPIDER BOSCH GEN4 107BCD (NO CHAIN RING, INCLUDING CHAINRING BOLTS)
11.6118.064.001	SPIDER FAZUA RIDE50 107BCD (NO CHAIN RING, INCLUDING CHAINRING BOLTS)
11.6118.064.002	SPIDER SPECIALIZED MAHLE MODEL SL 1.1 107BCD (NO CHAIN RING, INCLUDING CHAINRING BOLTS AND SPIDER ADJUSTMENT SCREW)
11.6118.064.003	SPIDER SPECIALIZED MAHLE MODEL 1.2 SL 104BCD GEN2 BLACK (NO CHAIN RING, INCLUDING CHAINRING BOLTS)
11.6118.064.004	SPIDER SPECIALIZED MAHLE MODEL 1.2 SL 107BCD GEN2 BLACK (NO CHAIN RING, INCLUDING CHAINRING BOLTS)
11.6215.195.000	CRANK AERO GUARD 4-ARM VIA 48T CLEAR SMOKE (INCLUDING 4 MOUNTING SCREWS)
11.6315.003.000	CRANK AERO GUARD 4-ARM 48T 45DEGREE BLACK (INCLUDING 4 MOUNTING SCREWS)
11.6315.005.000	CRANK AERO GUARD 4-ARM 48T 68DEGREE BLACK (INCLUDING 4 MOUNTING SCREWS)
11.6315.007.000	CRANK AERO GUARD 4-ARM 42-44T BLACK (INCLUDING 4 MOUNTING SCREWS)
11.6218.044.000	CRANK AERO GUARD 38T/36T CLIP ON GUARD ONLY FOR BOSCH GENERATION 4 WITH EAGLE CHAINRINGS
11.6318.006.000	CRANK AERO GUARD S350 5-ARM BLACK (INCLUDING 5 MOUNTING SCREWS)
OTHER	
11.6700.002.010	PEDAL WASHERS CHROMO, QTY 2
11.3018.010.002	POWER METER BATTERY LID AND COVER QUARQ RED 2X (D1) AND FORCE D2 2X ETAP AXS AND AERO (UPDATED LASER ETCHED COIN CELL WARNING)
11.3018.010.003	POWER METER BATTERY LID AND COVER QUARQ ETAP AXS FORCE D1 2X/1X AND RED 1X D1 (UPDATED LASER ETCHED COIN CELL WARNING)
11.3018.010.004	POWER METER BATTERY LID AND COVER RED AXS E1
11.6118.063.000	CRANK MOUNTING BOLT KIT - REMOVABLE SPIDER / CHAINRING DIRECT MOUNT - TORX T20 QTY 8

## CASSETTE, BOTTOM BRACKETS - ROAD

### CASSETTES

PART NUMBER	DESCRIPTION
11.2418.000.002	CASSETTE STEALTH RING SET XG1090 X-DOME 11-28
11.2415.013.000	CASSETTE LOCKRING ALUMINUM OG1070, PG970 FOR 12T
11.2415.027.010	CASSETTE LOCKRING STEEL PG1050, PG950 12T
11.2418.002.000	CASSETTE LOCKRING ALUMINUM XG1190 11T
11.2418.005.000	CASSETTE REPLACEABLE COGS XG-899 11T-13T-15T INCLUDING CASSETTE LOCKRING
11.2418.007.000	CASSETTE STEALTH RING SET XG1270 FORCE 10-11-12T (INCLUDE 2 DAMPERINGS OF EACH SIZE)
11.2418.007.001	CASSETTE STEALTH RING SET XG1290 RED 10-26 (INCLUDE 1 DAMPERINGS OF EACH SIZE)
11.2418.007.002	CASSETTE STEALTH RING SET XG1290 RED 10-28 (INCLUDE 1 DAMPERINGS OF EACH SIZE)
11.2418.007.003	CASSETTE STEALTH RING SET XG1290 RED 10-33 (INCLUDE 1 DAMPERINGS OF EACH SIZE)
11.2418.007.004	CASSETTE STEALTH RING SET XG1290 RED E1 10-30 (INCLUDE 1 DAMPERINGS OF EACH SIZE)
11.2418.007.005	CASSETTE STEALTH RING SET XG1290 RED E1 10-36 (INCLUDE 1 DAMPERINGS OF EACH SIZE)
11.2418.007.006	CASSETTE STEALTH RING SET XG1391 RED XPLR E1 10-46 (INCLUDE 1 DAMPERINGS OF EACH SIZE)

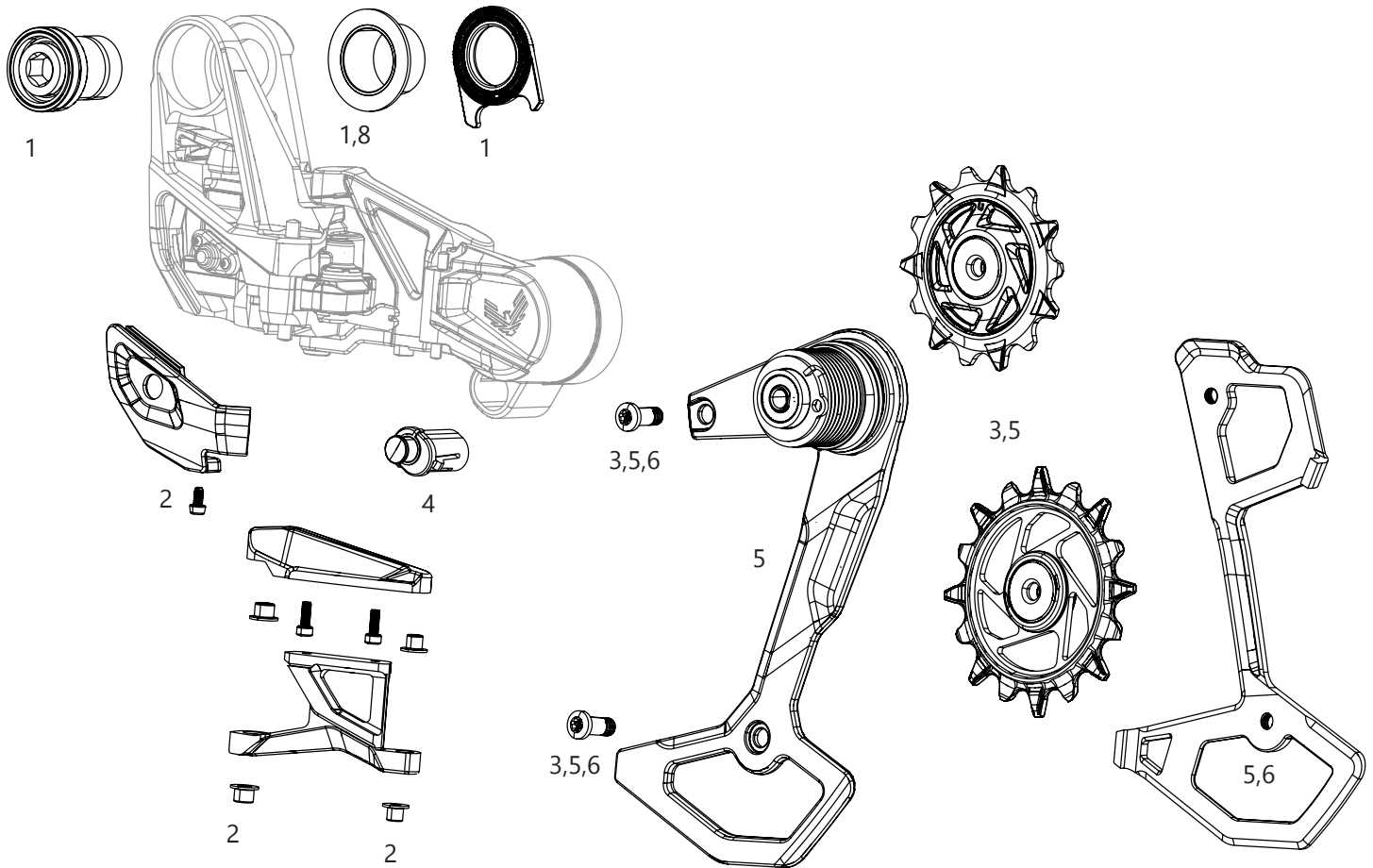
### BOTTOM BRACKETS

PART NUMBER	DESCRIPTION
11.6415.007.000	BOTTOM BRACKET SHIELD AND WAVE WASHER ASSEMBLY PRESSFIT GXP ROAD
11.6415.007.020	BOTTOM BRACKET SHIELD AND WAVE WASHER ASSEMBLY BB30 BEARING
11.6115.533.000	BOTTOM BRACKET SPINDLE SPACER BB30 - DRIVE SIDE 13
11.6415.005.000	BOTTOM BRACKET BB30 SPACER KIT 2 X 2.5MM
11.6415.003.000	BOTTOM BRACKET BB30 SHIM AND WAVE WASHER KIT
11.6118.054.000	BOTTOM BRACKET SPINDLE SPACER KIT FORCE, RIVAL, APEX, QUARQ, S-SERIES ROAD BB30 TO BB386
11.6415.001.000	BOTTOM BRACKET BEARING ADJUSTER BB30 PRESSFIT 30
00.6415.032.020	BB30 BEARING INSTALL KIT
00.6415.032.030	BB30 BEARING REMOVAL TOOL
00.6415.049.010	PRESSFIT 30 TO BSA ADAPTER, 68 OR 73MM
00.6415.049.020	PRESSFIT 30 TO BSA ADAPTER, 83MM
00.6415.032.040	BB30 TO BSA ADAPTOR KIT WITHOUT TOOLS
00.6415.027.000	BB AMERICAN-TO-EURO BMX ADAPTER
11.6400.006.000	GXP/HOWITZER TOOL
11.6400.005.000	BB ISIS DRIVE TOOL
11.6418.001.001	BOTTOM BRACKET PRELOAD ADJUSTER KIT DUB (INCLUDING SCREW, OUTERRING AND 2 INNERRINGS NON-FLANGED & FLANGED)
11.6418.002.002	BOTTOM BRACKET DUB SPACER KIT MTB/ROAD V3 (INCLUDING 2.0, 4.5, 5, 6.0, 6.5, 7.5, 8.5, 9.0, 10.5 AND 2 PIECES OF 2.5, 3.0, 5.5MM) AND 2 STANDARD BSA 68 AL SPACERS
11.6418.002.003	BOTTOM BRACKET SPACER KIT DUB MTB WIDE (QTY 4 - sizes 1x5.0mm, 1x7.5mm and 2x3.0MM)



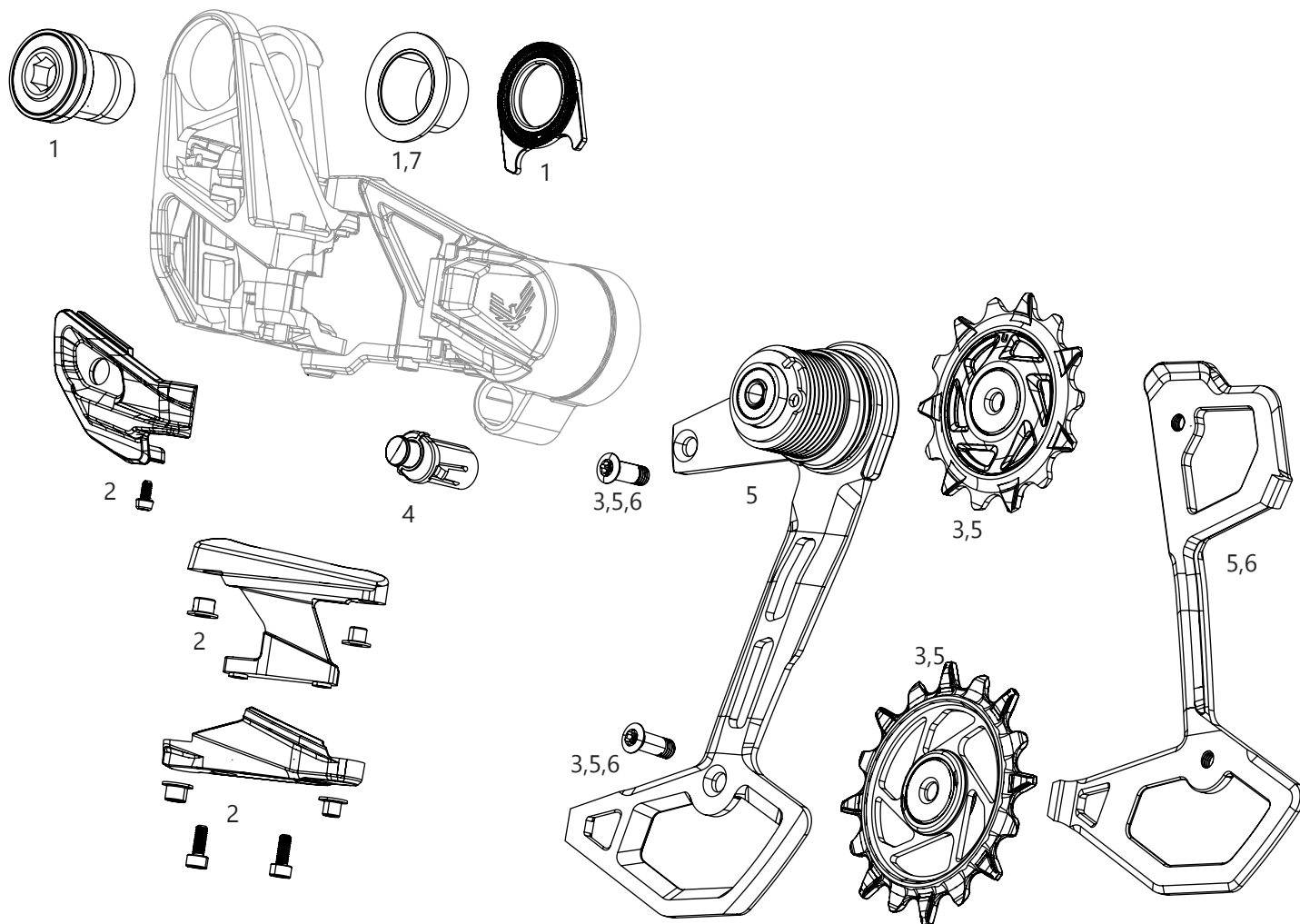
# XXSL EAGLE TRANSMISSION REAR DERAILLEUR

RD-XX-SLE-B1



NO.	PART NUMBER	DESCRIPTION
1	11.7518.104.000	REAR DERAILLEUR FULL MOUNT BOLT KIT XXSL T-TYPE EAGLE AXS
2	11.7518.104.003	REAR DERAILLEUR COVER KIT XXSL T-TYPE EAGLE AXS (UPPER & LOWER OUTER LINK WITH BUSHINGS, INCLUDING BOLTS)
3	11.7518.104.006	REAR DERAILLEUR PULLEY KIT XXSL T-TYPE EAGLE AXS (INCLUDES 14T UPPER AND 16T LOWER SILVER METAL SPIDER PULLEY, 2 T25 ALUMINUM PULLEY BOLTS)
4	11.7518.104.009	REAR DERAILLEUR SETUP KEY / CAGE LOCK ASSEMBLY KIT WITH SPRING XXSL/XX T-TYPE EAGLE AXS
5	11.7518.104.010	REAR DERAILLEUR CAGE ASSEMBLY KIT XXSL T-TYPE EAGLE AXS (FULL REPLACEMENT CAGE ASSEMBLY INCLUDING OUTER AND INNER CAGES, DAMPER AND PULLEYS)
6	11.7518.104.013	REAR DERAILLEUR INNER CAGE XXSL/XX/X0 T-TYPE EAGLE AXS (INNER CAGE INCLUDING 2 T25 ALUMINUM PULLEY BOLTS)
7	11.7618.006.000	ETAP BATTERY TERMINAL COVER FRONT/REAR DERAILLEUR/REVERB AXS QTY 1
ns	00.3018.102.000	SRAM ETAP/AXS BATTERY QTY 1
ns	00.3018.117.000	SRAM ETAP/AXS BATTERY CHARGER AND CORD
ns	11.7618.006.000	ETAP BATTERY TERMINAL COVER FRONT/REAR DERAILLEUR/REVERB AXS QTY 1
ns	11.7618.008.000	BATTERY BLOCK FOR ETAP/AXS FRONT & REAR DERAILLEUR AND EAGLE AXS RD, REVERB AXS QTY 1
8	11.7518.104.022	REAR DERAILLEUR FRAME SLEEVE B-BOLT QTY2 (FOR ALL XXSL XX X0 GX T-TYPE REAR DERAILLEURS)
ns	11.7518.104.023	REAR DERAILLEUR CAGE KIT CARBON T-TYPE EAGLE AXS WITHOUT DAMPER (REPLACEMENT OUTER AND INNER CAGES, BIT DRIVER HEX3, INCLUDING PULLEYS)
ns	11.7518.104.024	REAR DERAILLEUR CAGE KIT ALUMINUM T-TYPE EAGLE AXS WITHOUT DAMPER (REPLACEMENT OUTER AND INNER CAGES, BIT DRIVER HEX3, INCLUDING PULLEYS)

**XX / X0 EAGLE TRANSMISSION REAR DERAILLEUR**  
RD-XX-E-B1 / RD-X0-E-B1

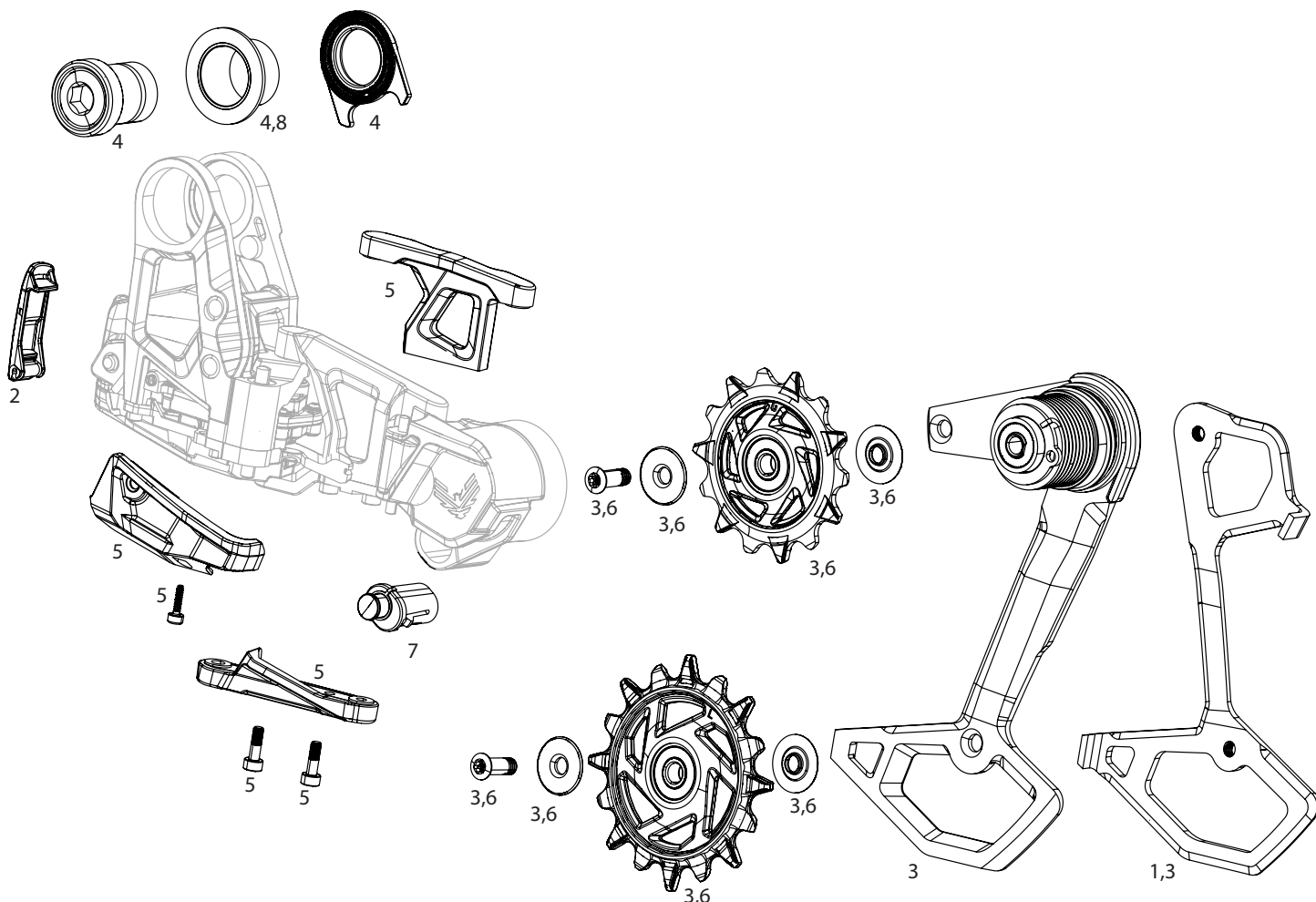


NO.	PART NUMBER	DESCRIPTION
1	11.7518.104.001	REAR DERAILLEUR FULL MOUNT BOLT KIT XX T-TYPE EAGLE AXS
1	11.7518.104.002	REAR DERAILLEUR FULL MOUNT BOLT KIT X0 T-TYPE EAGLE AXS
2	11.7518.104.004	REAR DERAILLEUR COVER/SKID KIT XX T-TYPE EAGLE AXS (UPPER & LOWER OUTER LINK WITH BUSHINGS, INCLUDING BOLTS)
2	11.7518.104.005	REAR DERAILLEUR COVER/SKID KIT X0 T-TYPE EAGLE AXS (UPPER & LOWER OUTER LINK WITH BUSHINGS, INCLUDING BOLTS)
3	11.7518.104.007	REAR DERAILLEUR PULLEY KIT XX T-TYPE EAGLE AXS (INCLUDES 14T UPPER AND 16T LOWER BLACK METAL SPIDER PULLEY, 2 ALUMINUM PULLEY SCREWS)
3	11.7518.104.008	REAR DERAILLEUR PULLEY KIT X0 T-TYPE EAGLE AXS (INCLUDES 14T UPPER AND 16T SPIDER PULLEY, 2 STAINLESS STEEL PULLEY SCREWS)
4	11.7518.104.009	REAR DERAILLEUR SETUP KEY / CAGE LOCK ASSEMBLY KIT WITH SPRING XXSL/XX T-TYPE EAGLE AXS
4	11.7518.104.015	REAR DERAILLEUR SETUP KEY / CAGE LOCK ASSEMBLY KIT WITH SPRING X0 T-TYPE EAGLE AXS
5	11.7518.104.011	REAR DERAILLEUR CAGE ASSEMBLY KIT XX T-TYPE EAGLE AXS (FULL REPLACEMENT CAGE ASSEMBLY INCLUDING OUTER AND INNER CAGES, DAMPER AND PULLEYS)
5	11.7518.104.012	REAR DERAILLEUR CAGE ASSEMBLY KIT X0 T-TYPE EAGLE AXS (FULL REPLACEMENT CAGE ASSEMBLY INCLUDING OUTER AND INNER CAGES, DAMPER AND PULLEYS)
6	11.7518.104.013	REAR DERAILLEUR INNER CAGE XXSL/XX/X0 T-TYPE EAGLE AXS (INNER CAGE INCLUDING 2 T25 ALUMINUM PULLEY BOLTS)
ns	00.3018.102.000	SRAM ETAP/AXS BATTERY QTY 1
ns	00.3018.117.000	SRAM ETAP/AXS BATTERY CHARGER AND CORD
ns	11.7618.006.000	ETAP BATTERY TERMINAL COVER FRONT/REAR DERAILLEUR/REVERB AXS QTY 1
ns	11.7618.008.000	BATTERY BLOCK FOR ETAP/AXS FRONT & REAR DERAILLEUR AND EAGLE AXS RD, REVERB AXS QTY 1
7	11.7518.104.022	REAR DERAILLEUR FRAME SLEEVE B-BOLT QTY2 (FOR ALL XXSL XX X0 T-TYPE REAR DERAILLEURS)
ns	11.7518.104.023	REAR DERAILLEUR CAGE KIT CARBON T-TYPE EAGLE AXS WITHOUT DAMPER (REPLACEMENT OUTER AND INNER CAGES, BIT DRIVER HEX3, INCLUDING PULLEYS)
ns	11.7518.104.024	REAR DERAILLEUR CAGE KIT ALUMINUM T-TYPE EAGLE AXS WITHOUT DAMPER (REPLACEMENT OUTER AND INNER CAGES, BIT DRIVER HEX3, INCLUDING PULLEYS)



# GX EAGLE TRANSMISSION REAR DERAILLEUR

RD-GX-E-B1



NO.	PART NUMBER	DESCRIPTION
1	11.7518.104.016	REAR DERAILLEUR INNER CAGE GX T-TYPE EAGLE AXS (INNER CAGE INCLUDING 2 T25 STAINLESS STEEL PULLEY BOLTS)
2	11.7518.104.018	REAR DERAILLEUR BATTERY LEVER/CLIP GX T-TYPE EAGLE AXS QTY 1
3	11.7518.104.019	REAR DERAILLEUR CAGE ASSEMBLY KIT GX T-TYPE EAGLE AXS (FULL REPLACEMENT CAGE ASSEMBLY INCLUDING OUTER AND INNER CAGES, DAMPER AND PULLEYS)
4	11.7518.104.025	REAR DERAILLEUR FULL MOUNT BOLT KIT GX T-TYPE EAGLE AXS
5	11.7518.104.021	REAR DERAILLEUR COVER/SKID KIT GX T-TYPE EAGLE AXS INCLUDING BOLTS
6	11.7518.104.008	REAR DERAILLEUR PULLEY KIT X0 T-TYPE EAGLE AXS (INCLUDES 14T UPPER AND 16T SPIDER PULLEY, 2 STAINLESS STEEL PULLEY SCREWS)
7	11.7518.104.015	REAR DERAILLEUR SETUP KEY / CAGE LOCK ASSEMBLY KIT WITH SPRING X0/GX T-TYPE EAGLE AXS
ns	00.3018.102.000	SRAM ETAP/AXS BATTERY QTY 1
ns	00.3018.117.000	SRAM ETAP/AXS BATTERY CHARGER AND CORD
8	11.7518.104.022	REAR DERAILLEUR FRAME SLEEVE B-BOLT QTY2 (FOR ALL XXSL XX X0 GX T-TYPE REAR DERAILLEURS)
ns	11.7518.104.023	REAR DERAILLEUR CAGE KIT CARBON T-TYPE EAGLE AXS WITHOUT DAMPER (REPLACEMENT OUTER AND INNER CAGES, BIT DRIVER HEX3, INCLUDING PULLEYS)
ns	11.7518.104.024	REAR DERAILLEUR CAGE KIT ALUMINUM T-TYPE EAGLE AXS WITHOUT DAMPER (REPLACEMENT OUTER AND INNER CAGES, BIT DRIVER HEX3, INCLUDING PULLEYS)



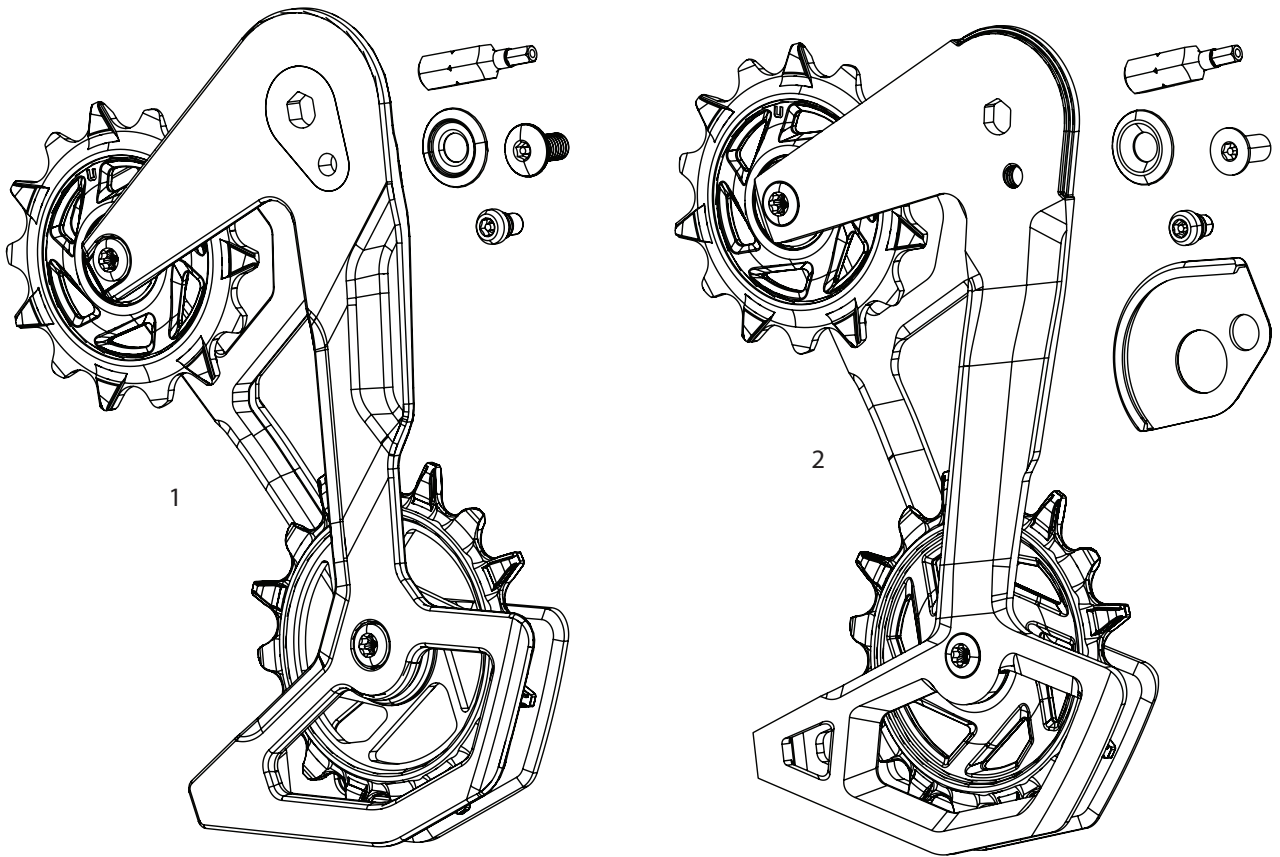


# REAR DERAILLEUR - UNIVERSAL TRANSMISSION CAGE KITS

RD-XX-SLE-B1 / RD-XX-E-B1 / RD-X0-E-B1 / RD-GX-E-B1



LINK TO : SRAM/SERVICE CAGE REPLACEMENT WITHOUT DAMPER

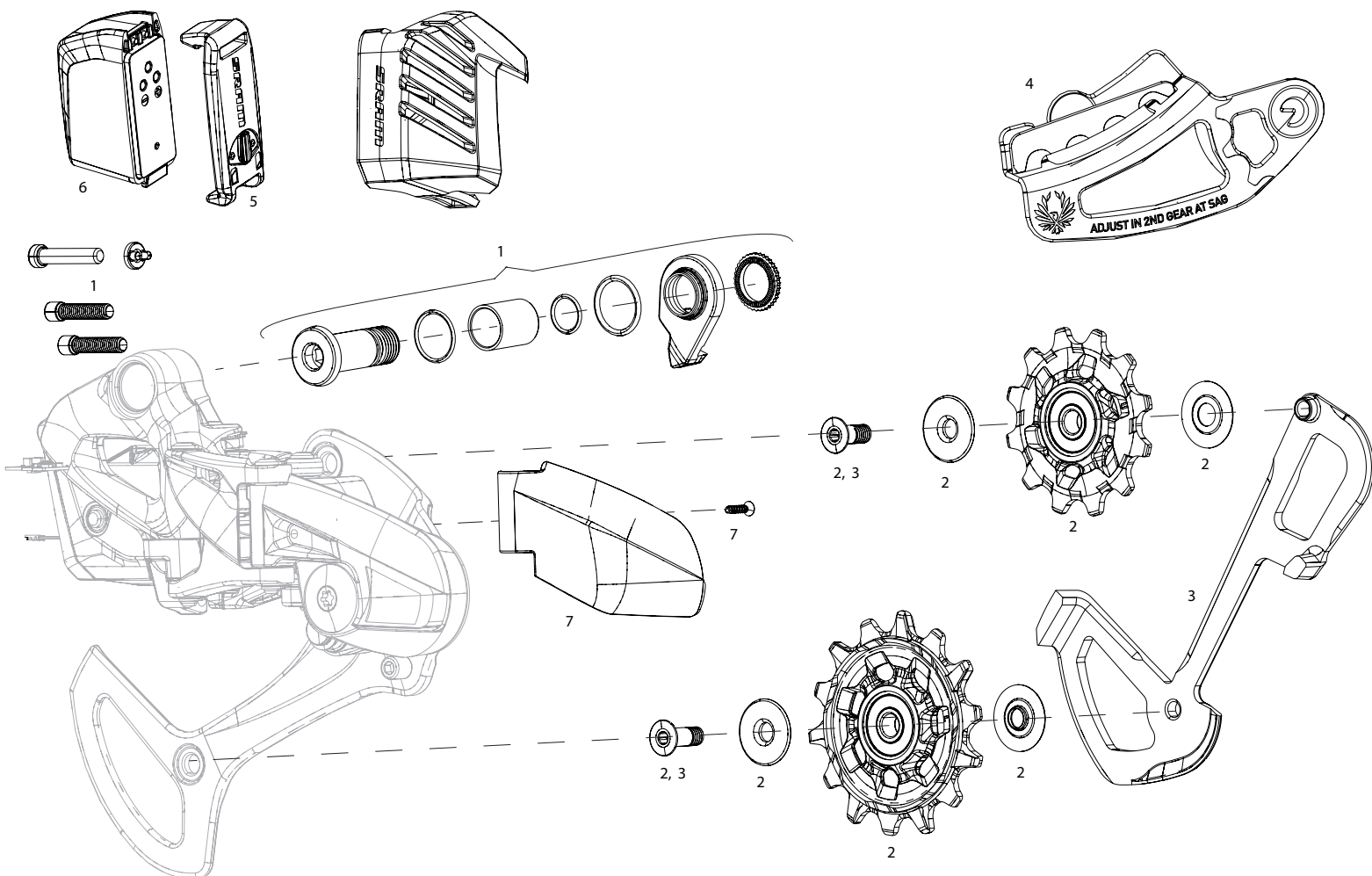


NO.	PART NUMBER	DESCRIPTION
1	11.7518.104.023	REAR DERAILLEUR CAGE KIT CARBON T-TYPE EAGLE AXS WITHOUT DAMPER (REPLACEMENT OUTER AND INNER CAGES, BIT DRIVER HEX3, INCLUDING PULLEYS)
2	11.7518.104.024	REAR DERAILLEUR CAGE KIT ALUMINUM T-TYPE EAGLE AXS WITHOUT DAMPER (REPLACEMENT OUTER AND INNER CAGES, BIT DRIVER HEX3, INCLUDING PULLEYS)



# XX1 / X01 EAGLE AXS REAR DERAILLEUR

RD-XX-1E-A1 / RD-X0-1E-A1

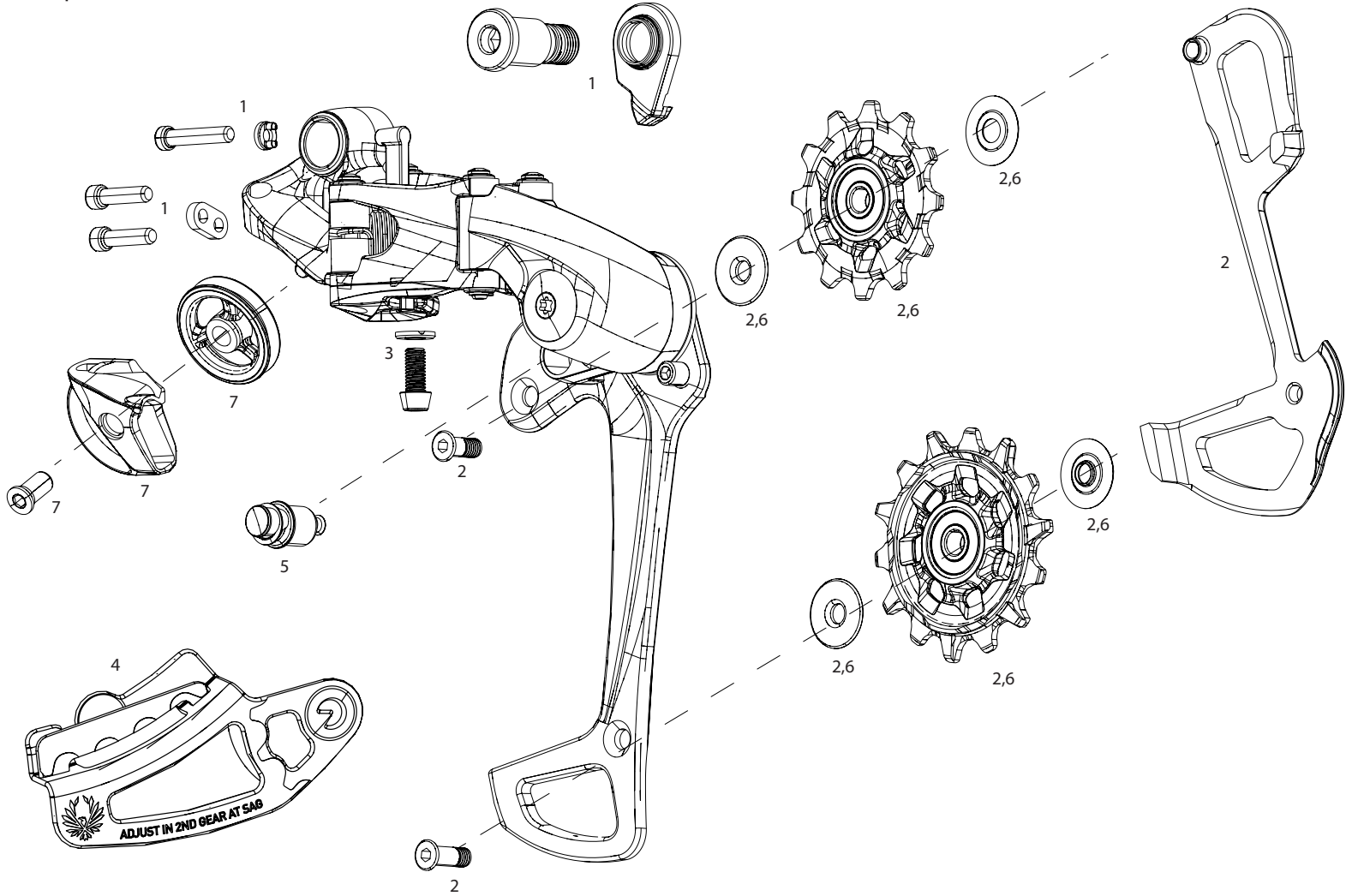


NO.	PART NUMBER	DESCRIPTION
1	11.7518.092.000	REAR DERAILLEUR BOLT AND SCREW KIT XX1 EAGLE AXS (B-BOLT/WASHER, B-SCREW AND LIMIT SCREWS)
1	11.7518.092.001	REAR DERAILLEUR BOLT AND SCREW KIT X01 EAGLE AXS (B-BOLT/WASHER, B-SCREW AND LIMIT SCREWS)
2	00.7518.103.000	REAR DERAILLEUR PULLEY KIT XX1/X01 EAGLE (INCLUDES 12T UPPER AND 14T LOWER PULLEY)
3	11.7518.092.002	REAR DERAILLEUR INNER CAGE XX1 EAGLE AXS LUNAR INCLUDING SCREWS
3	11.7518.092.003	REAR DERAILLEUR INNER CAGE X01 EAGLE AXS POLAR INCLUDING SCREWS
4	11.7518.099.000	REAR DERAILLEUR CHAINGAP ADJUSTMENT GAUGE - B GAP TOOL - COMPATIBLE WITH EAGLE 50T/52T AXS AND MECHANICAL
5	11.7618.006.000	ETAP BATTERY TERMINAL COVER FRONT/REAR DERAILLEUR/REVERB AXS QTY 1
6	00.3018.102.000	SRAM ETAP/AXS BATTERY QTY 1
7	11.7518.097.000	REAR DERAILLEUR COVER KIT CLUTCH INCLUDING SCREW XX1 EAGLE AXS
7	11.7518.097.001	REAR DERAILLEUR COVER KIT CLUTCH INCLUDING SCREW X01 EAGLE AXS
ns	00.3018.117.000	SRAM ETAP/AXS BATTERY CHARGER AND CORD
8	00.7518.156.000	BATTERY PROTECTOR REAR DERAILLEUR EAGLE AXS
ns	11.7518.084.010	REAR DERAILLEUR CAGE LOCK WITH SPRING EAGLE TYPE 3 QTY 1 GREY



# SRAM XX1 / X01 EAGLE - REAR DERAILLEUR

RD-XX-1-B1 / RD-X0-1-B1 / RD-XX-1-B2 / RD-X0-1-B2

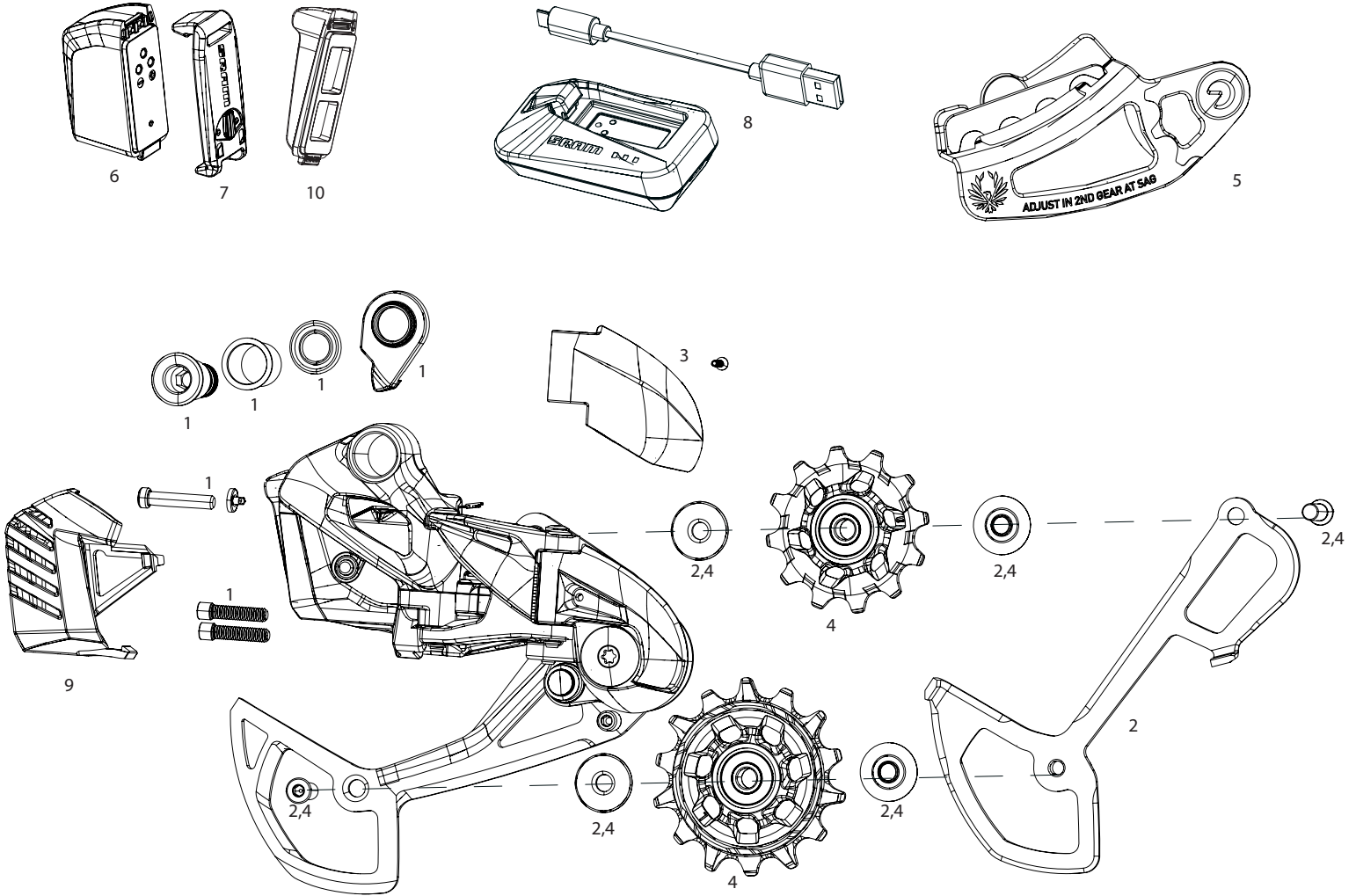


NO.	PART NUMBER	DESCRIPTION
1	11.7518.076.000	REAR DERAILLEUR B-BOLT AND LIMIT SCREW KIT XX1 EAGLE GOLD HEX5
1	11.7518.076.010	REAR DERAILLEUR B-BOLT AND LIMIT SCREW KIT XX1/X1 EAGLE BLACK HEX5
1	11.7518.080.000	REAR DERAILLEUR B-BOLT AND LIMIT SCREW KIT X01 EAGLE HEX5
1	11.7518.098.005	REAR DERAILLEUR BOLT AND SCREW KIT XX1 X01 EAGLE (52T) INCLUDES B-BOLT/WASHER, B-SCREW AND LIMIT SCREWS
2	11.7518.077.000	REAR DERAILLEUR PULLEY AND INNER CAGE XX1 EAGLE 12 SPEED X-SYNC GOLD
2	11.7518.077.010	REAR DERAILLEUR PULLEY AND INNER CAGE XX1 EAGLE 12 SPEED X-SYNC GREY
2	11.7518.078.000	REAR DERAILLEUR PULLEY AND INNER CAGE X01 EAGLE 12 SPEED X-SYNC RED
2	11.7518.078.010	REAR DERAILLEUR PULLEY AND INNER CAGE X01 EAGLE 12 SPEED X-SYNC GREY
ns	11.7518.098.002	REAR DERAILLEUR INNER CAGE XX1 EAGLE (52T) LUNAR INCLUDING SCREWS
ns	11.7518.098.003	REAR DERAILLEUR INNER CAGE X01 EAGLE (52T) RED INCLUDING SCREWS
ns	11.7518.098.004	REAR DERAILLEUR INNER CAGE X01 EAGLE (52T) POLAR INCLUDING SCREWS
3	11.7518.079.000	REAR DERAILLEUR CABLE ANCHOR BOLT AND WASHER KIT XX1/X01/GX EAGLE
4	11.7518.099.000	REAR DERAILLEUR CHAINGAP ADJUSTMENT GAUGE - B GAP TOOL - COMPATIBLE WITH EAGLE 50T/52T AXS AND MECHANICAL
5	11.7518.084.010	REAR DERAILLEUR CAGE LOCK WITH SPRING EAGLE TYPE 3 QTY 1 GREY
6	00.7518.103.000	REAR DERAILLEUR PULLEY KIT XX1/X01 EAGLE (INCLUDES 12T UPPER AND 14T LOWER PULLEY)
7	11.7518.016.000	REAR DERAILLEUR CABLE PULLEY AND GUIDE KIT XX1



# GX EAGLE AXS REAR DERAILLEUR

RD-GX-1E-A1

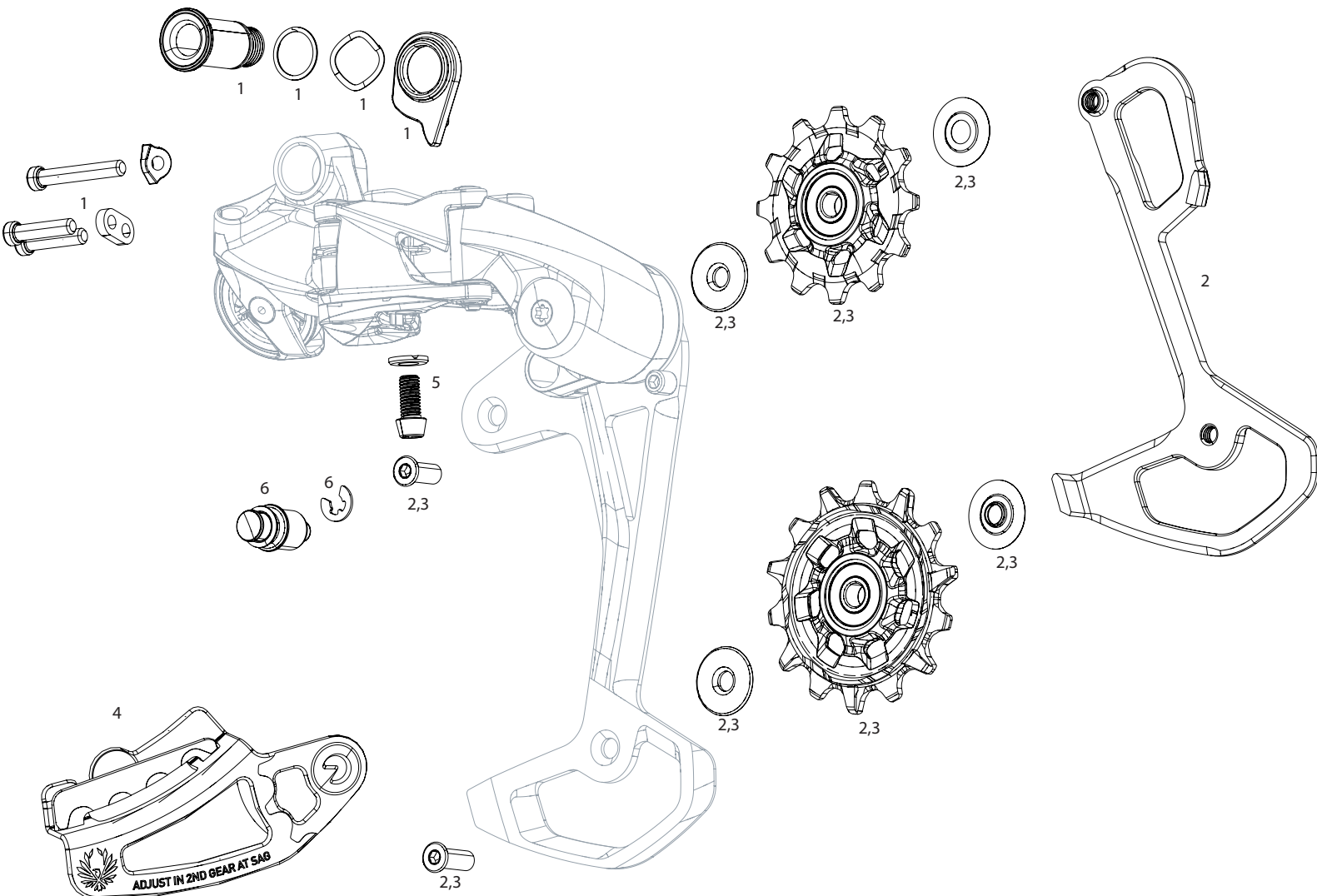


NO.	PART NUMBER	DESCRIPTION
1	11.7518.098.006	REAR DERAILLEUR BOLT AND SCREW KIT GX EAGLE AXS INCLUDES B-BOLT/WASHER AND LIMIT SCREWS
2	11.7518.092.004	REAR DERAILLEUR INNER CAGE SX/NX EAGLE AND GX EAGLE AXS INCLUDING SCREWS
3	11.7518.097.002	REAR DERAILLEUR COVER KIT CLUTCH INCLUDING SCREW GX EAGLE AXS
4	11.7518.103.000	REAR DERAILLEUR PULLEY KIT GX EAGLE AXS (INCLUDES 12T UPPER AND 14T LOWER PULLEY, 13MM AND 14MM PULLEY BOLTS)
5	11.7518.099.000	REAR DERAILLEUR CHAINGAP ADJUSTMENT GAUGE - B GAP TOOL - COMPATIBLE WITH EAGLE 50T/52T AXS AND MECHANICAL
6	00.3018.102.000	SRAM ETAP/AXS BATTERY QTY 1
7	11.7618.006.000	ETAP BATTERY TERMINAL COVER FRONT/REAR DERAILLEUR/REVERB AXS QTY 1
8	00.3018.117.000	SRAM ETAP/AXS BATTERY CHARGER AND CORD
9	00.7518.156.000	BATTERY PROTECTOR REAR DERAILLEUR EAGLE AXS
10	11.7618.008.000	BATTERY BLOCK FOR ETAP/AXS FRONT & REAR DERAILLEUR AND EAGLE AXS RD, REVERB AXS QTY 1
ns	11.7518.084.010	REAR DERAILLEUR CAGE LOCK WITH SPRING EAGLE TYPE 3 QTY 1 GREY



# GX EAGLE - REAR DERAILLEUR

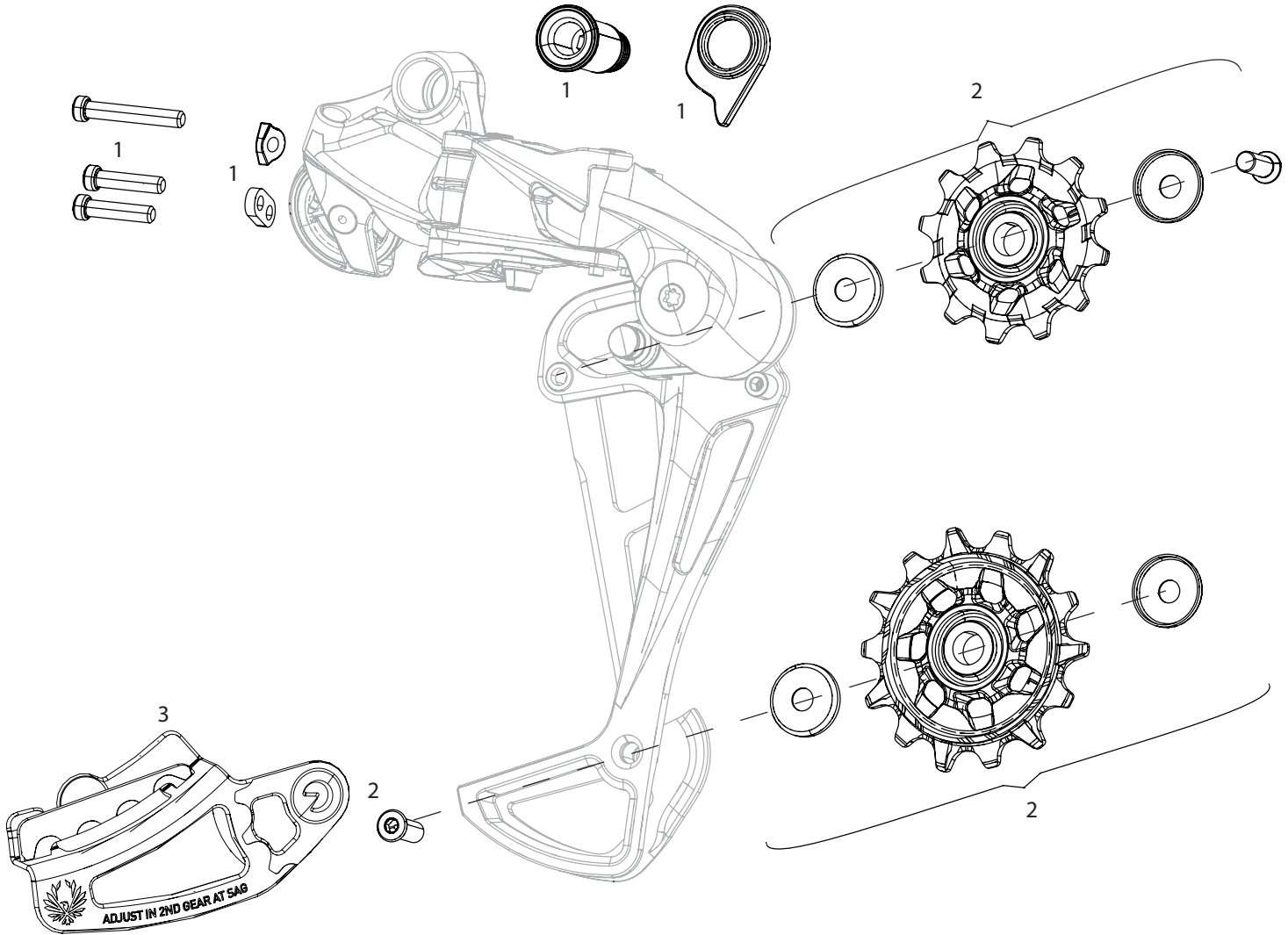
RD-GX-1-B1 / RD-GX-1-B2



NO.	PART NUMBER	DESCRIPTION
1	11.7518.086.000	REAR DERAILLEUR B-BOLT AND LIMIT SCREW KIT GX EAGLE HEX5
1	11.7518.098.000	REAR DERAILLEUR B-BOLT AND LIMIT SCREW KIT GX EAGLE (52T) INCLUDES B-BOLT/WASHER, B-SCREW AND LIMIT SCREWS
2	11.7518.087.000	REAR DERAILLEUR PULLEY AND INNER CAGE GX EAGLE X-SYNC
ns	11.7518.098.001	REAR DERAILLEUR INNER CAGE GX EAGLE (52T) LUNAR INCLUDING SCREWS
3	11.7518.089.000	REAR DERAILLEUR PULLEY KIT GX EAGLE (INCLUDES 12T UPPER AND 14T LOWER PULLEY, 12.5MM AND 14MM PULLEY BOLTS)
4	11.7518.099.000	REAR DERAILLEUR CHAINGAP ADJUSTMENT GAUGE - B GAP TOOL - COMPATIBLE WITH EAGLE 50T/52T AXS AND MECHANICAL
5	11.7518.079.000	REAR DERAILLEUR CABLE ANCHOR BOLT AND WASHER KIT XX1/X01/GX EAGLE
6	11.7518.084.010	REAR DERAILLEUR CAGE LOCK WITH SPRING EAGLE TYPE 3 QTY 1 GREY



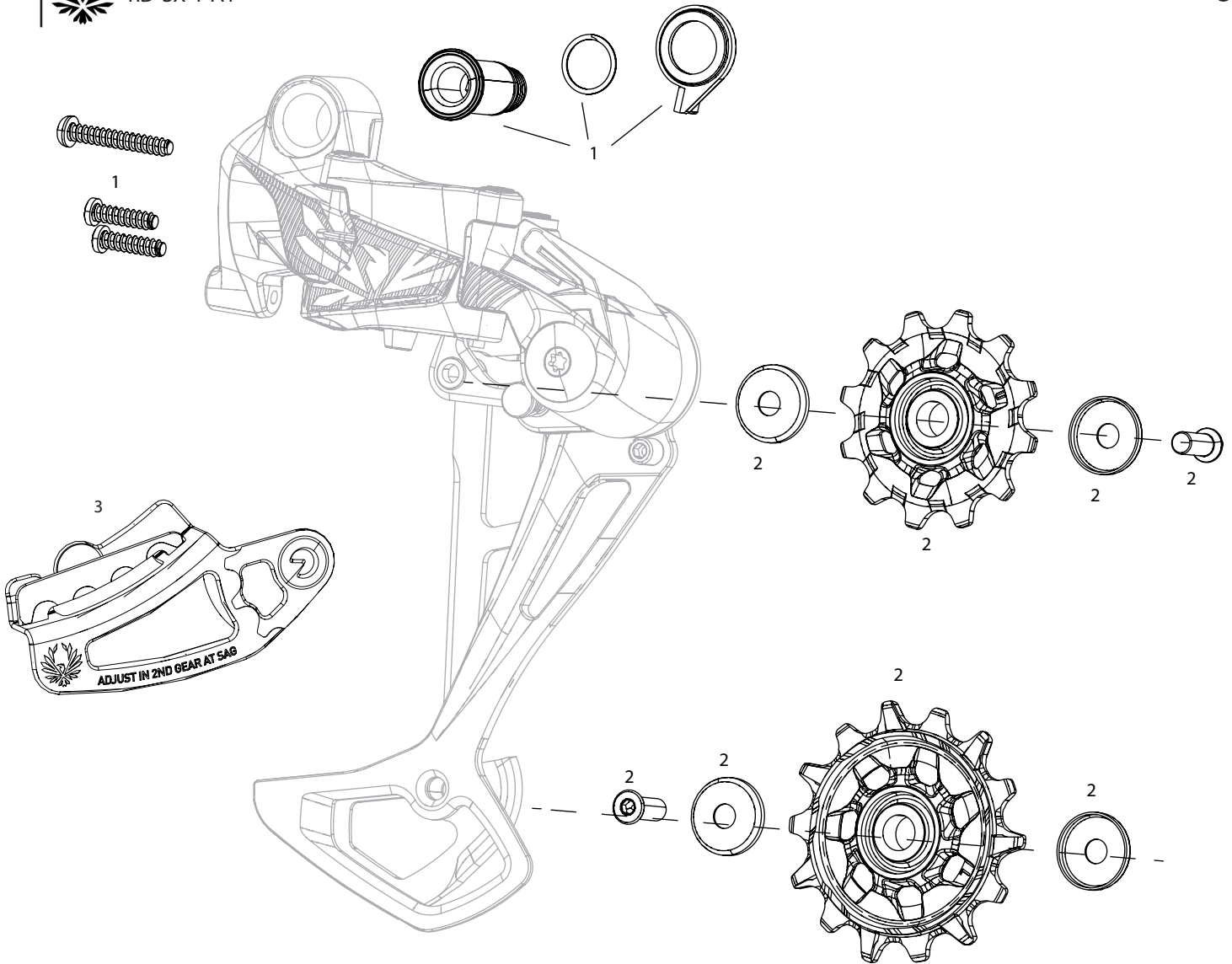
SRAM NX EAGLE - REAR DERAILLEUR  
RD-NX-1-B1



NO.	PART NUMBER	DESCRIPTION
1	11.7518.091.000	REAR DERAILLEUR BOLT AND SCREW KIT NX EAGLE / SX EAGLE B1 (B-BOLT/WASHER, LIMIT SCREWS)
2	11.7518.090.000	REAR DERAILLEUR PULLEY KIT NX/SX EAGLE (INCLUDES 12T UPPER AND 14T LOWER PULLEY WITH BUSHINGS, 13MM AND 14MM PULLEY BOLTS)
3	11.7518.099.000	REAR DERAILLEUR CHAINGAP ADJUSTMENT GAUGE - B GAP TOOL - COMPATIBLE WITH EAGLE 50T/52T AXS AND MECHANICAL



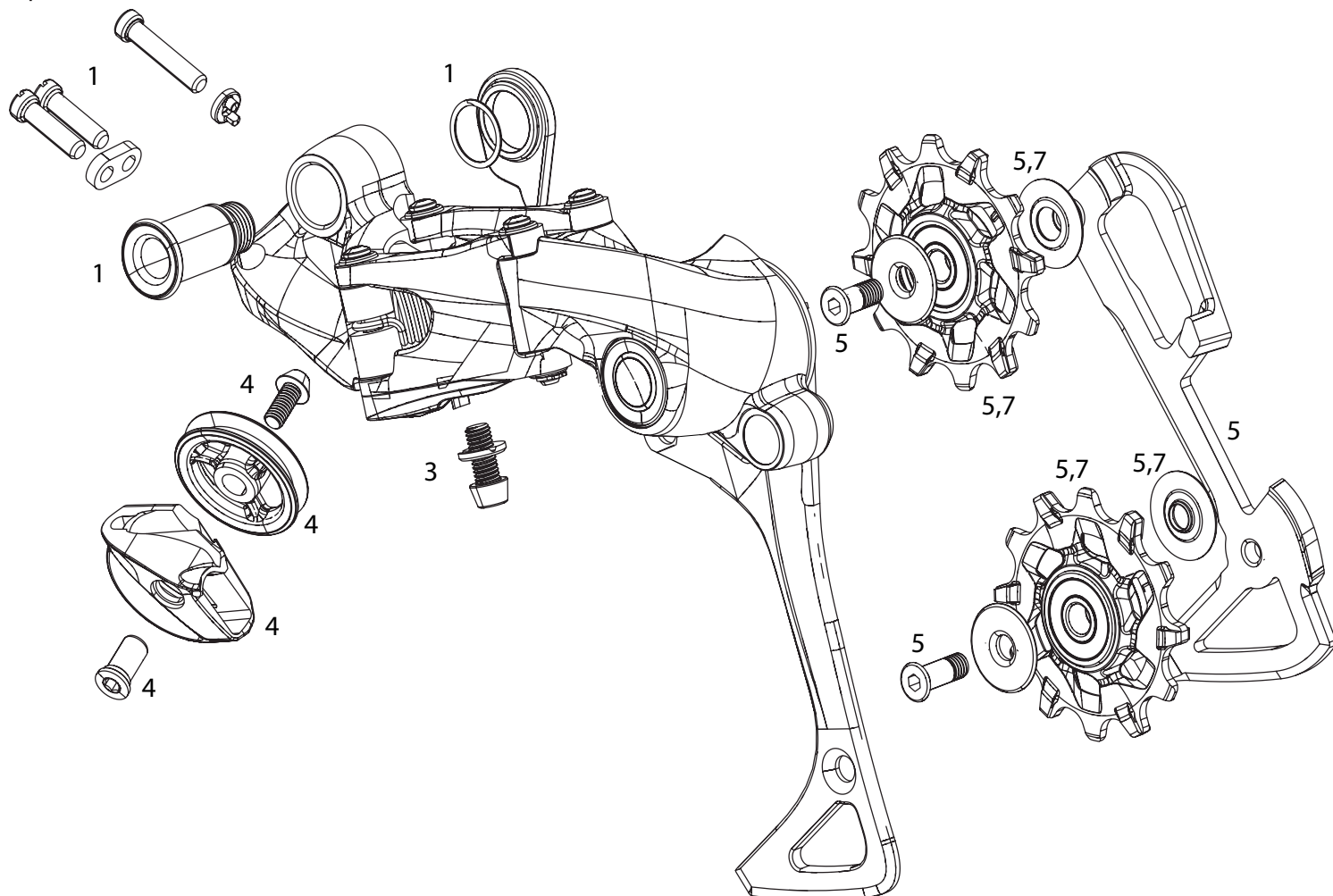
SRAM SX EAGLE - REAR DERAILLEUR  
RD-SX-1-A1



NO.	PART NUMBER	DESCRIPTION
1	11.7518.094.000	REAR DERAILLEUR BOLT AND SCREW KIT SX EAGLE (B-BOLT/WASHER, LIMIT SCREWS)
2	11.7518.090.000	REAR DERAILLEUR PULLEY KIT NX/SX EAGLE (INCLUDES 12T UPPER AND 14T LOWER PULLEY WITH BUSHINGS, 13MM AND 14MM PULLEY BOLTS)
3	11.7518.099.000	REAR DERAILLEUR CHAINGAP ADJUSTMENT GAUGE - B GAP TOOL - COMPATIBLE WITH EAGLE 50T/52T AXS AND MECHANICAL

# SRAM XX1 / X01 / X01DH / X1 / EX1(8spd) - REAR DERAILLEUR 1x11

RD-XX-1-A2 / RD-X0-1DH-A1 / RD-X0-1DH-A3 / RD-X-1-A2 / RD-EX1-A1

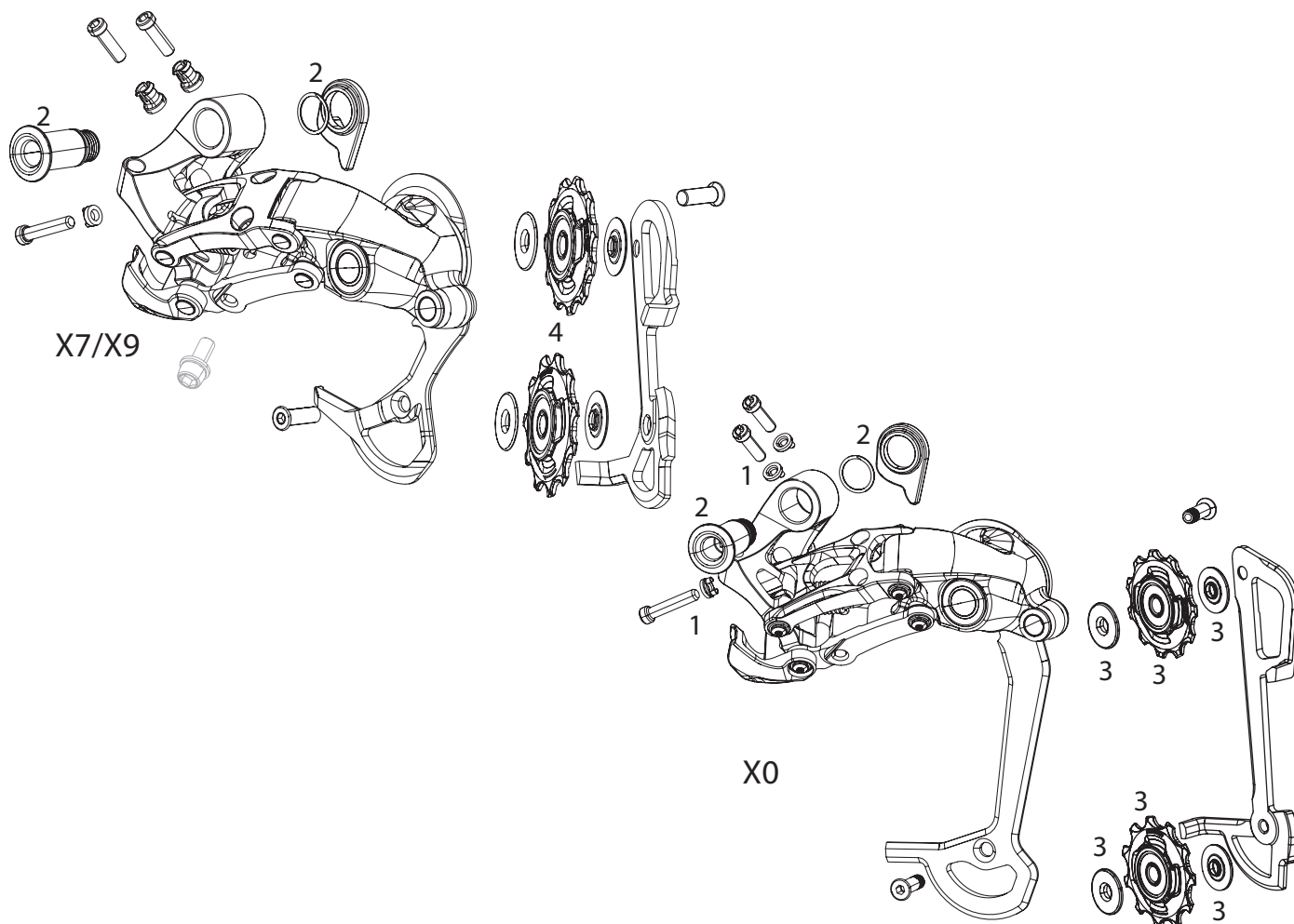


NOTE: XX1 / X01 / X1 rear derailleur is compatible with 1X11 chainring and shifter only.

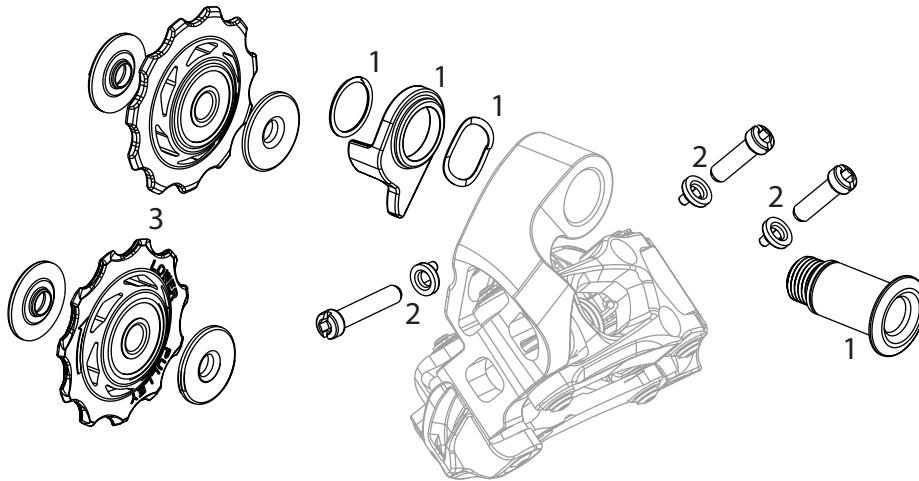
NO.	PART NUMBER	DESCRIPTION
1	11.7518.014.000	REAR DERAILLEUR B-BOLT AND LIMIT SCREW KIT XX1/X01/X1
1	11.7518.081.000	REAR DERAILLEUR B-BOLT AND LIMIT SCREW KIT XX1 HEX5
1	11.7518.076.010	REAR DERAILLEUR B-BOLT AND LIMIT SCREW KIT XX1/X1 EAGLE BLACK HEX5
1	11.7518.033.000	REAR DERAILLEUR B-BOLT KIT X01DH 7 SPEED TORX25
1	11.7518.068.000	REAR DERAILLEUR B-BOLT AND LIMIT SCREW KIT GX DH/X01DH 7 SPEED HEX5
1	11.7518.033.001	REAR DERAILLEUR B-BOLT KIT X01DH 10 SPEED TORX25
1	11.7518.034.000	REAR DERAILLEUR B-SCREW AND LIMIT SCREW KIT X01/X01DH
3	11.7518.015.000	REAR DERAILLEUR CABLE ANCHOR BOLT AND WASHER KIT XX1
4	11.7518.016.000	REAR DERAILLEUR CABLE PULLEY AND GUIDE KIT XX1
4	11.7518.029.000	REAR DERAILLEUR CABLE PULLEY AND GUIDE KIT X01/DH/X1
5	11.7518.017.000	REAR DERAILLEUR PULLEY AND INNER CAGE XX1 11 SPEED X-SYNC (OUTER CAGE NOT REPLACEABLE)
5	11.7518.030.000	REAR DERAILLEUR PULLEY KIT AND INNER CAGE X01/X1 11 SPEED X-SYNC (OUTER CAGE NOT REPLACEABLE)
5	11.7518.083.000	REAR DERAILLEUR PULLEY AND INNER CAGE EX1 8 SPEED
7	00.7518.025.000	BLACKBOX CERAMIC HYBRID BEARING PULLEYS XX1 X-SYNC 11SPEED
7	11.7518.032.000	REAR DERAILLEUR PULLEY KIT X01/X01DH/X1/FORCE 1 X-SYNC
ns	11.7518.088.000	REAR DERAILLEUR CHAINGAP ADJUSTMENT GAUGE - B GAP TOOL - GAUGE EX1



SRAM X0 / X9 / X7 TYPE 2/2.1 - REAR DERAILLEUR 2x10  
 RD-X0-T2-A1 / RD-X0-T21-A1 / RD-X9-T2-A1 / RD-X9-T21-A1 / RD-X7-T2-A1 / RD-X7-T21-A1



NO.	PART NUMBER	DESCRIPTION
1	11.7515.055.000	REAR DERAILLEUR B-SCREW AND LIMIT SCREW KIT X9 TYPE 2 / 2011 X9 10 SPEED
2	11.7515.049.000	REAR DERAILLEUR HANGER BOLT KIT X0/X9 TYPE 2 / 2011 X0/X9 10 SPEED
3	11.7518.018.000	REAR DERAILLEUR PULLEY KIT X0 TYPE2 QTY 2
4	11.7518.018.001	REAR DERAILLEUR PULLEY KIT X9/X7/GX 2X10 TYPE2 QTY 2

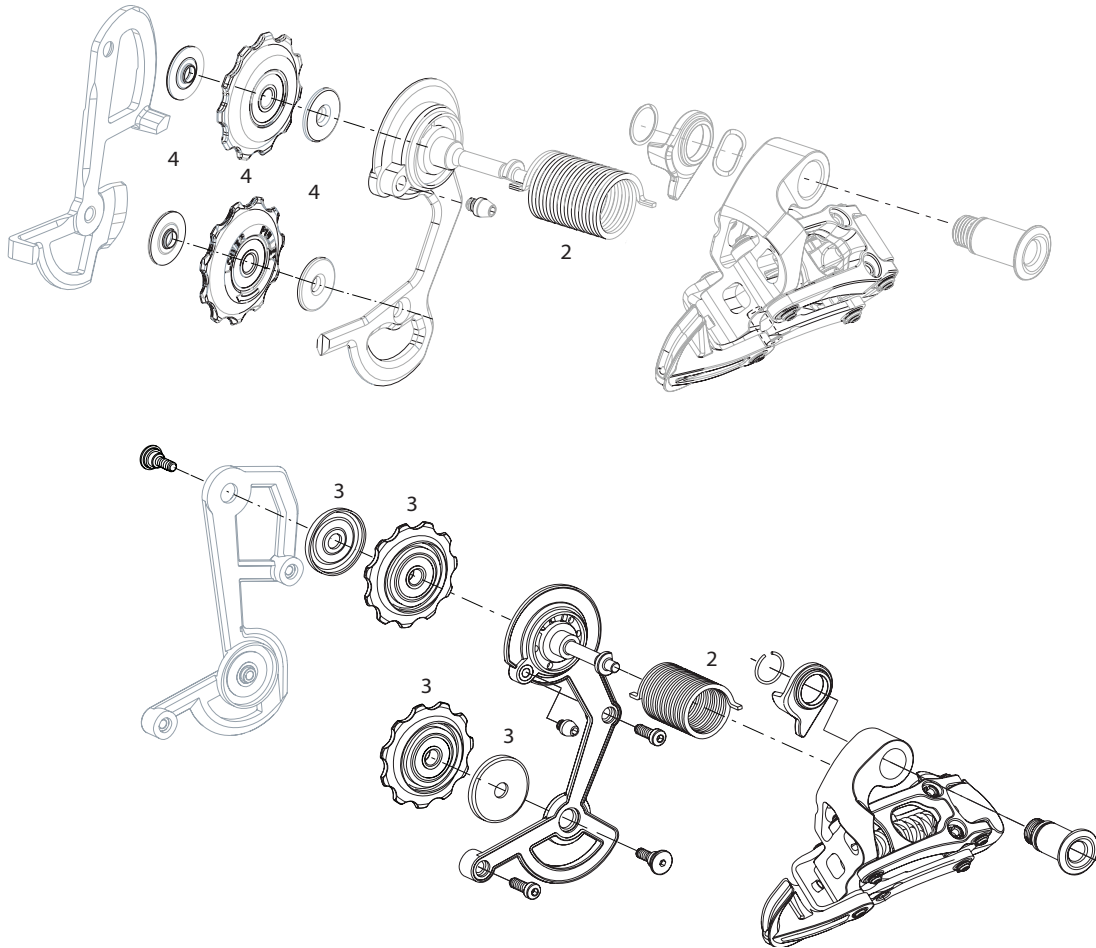


NOTE: X0, X9 and X7 rear derailleurs are compatible with 10 speed exact actuation cranks and shifters only.

NO.	PART NUMBER	DESCRIPTION
1	11.7515.049.000	REAR DERAILLEUR HANGER BOLT KIT X0/X9 TYPE 2 / 2011 X0/X9 10 SPEED
1	11.7515.052.000	REAR DERAILLEUR HANGER BOLT KIT X7/TYPE2 10 SPEED
2	11.7515.055.000	REAR DERAILLEUR B-SCREW AND LIMIT SCREW KIT X9 TYPE 2 / 2011 X9 10 SPEED
3	00.7915.016.010	BLACKBOX CERAMIC BEARING PULLEYS MTN
3	11.7515.022.000	REAR DERAILLEUR PULLEY KIT 2008-2011 X0 QTY 2
3	11.7515.038.000	REAR DERAILLEUR PULLEY KIT 10-11 X9 X7

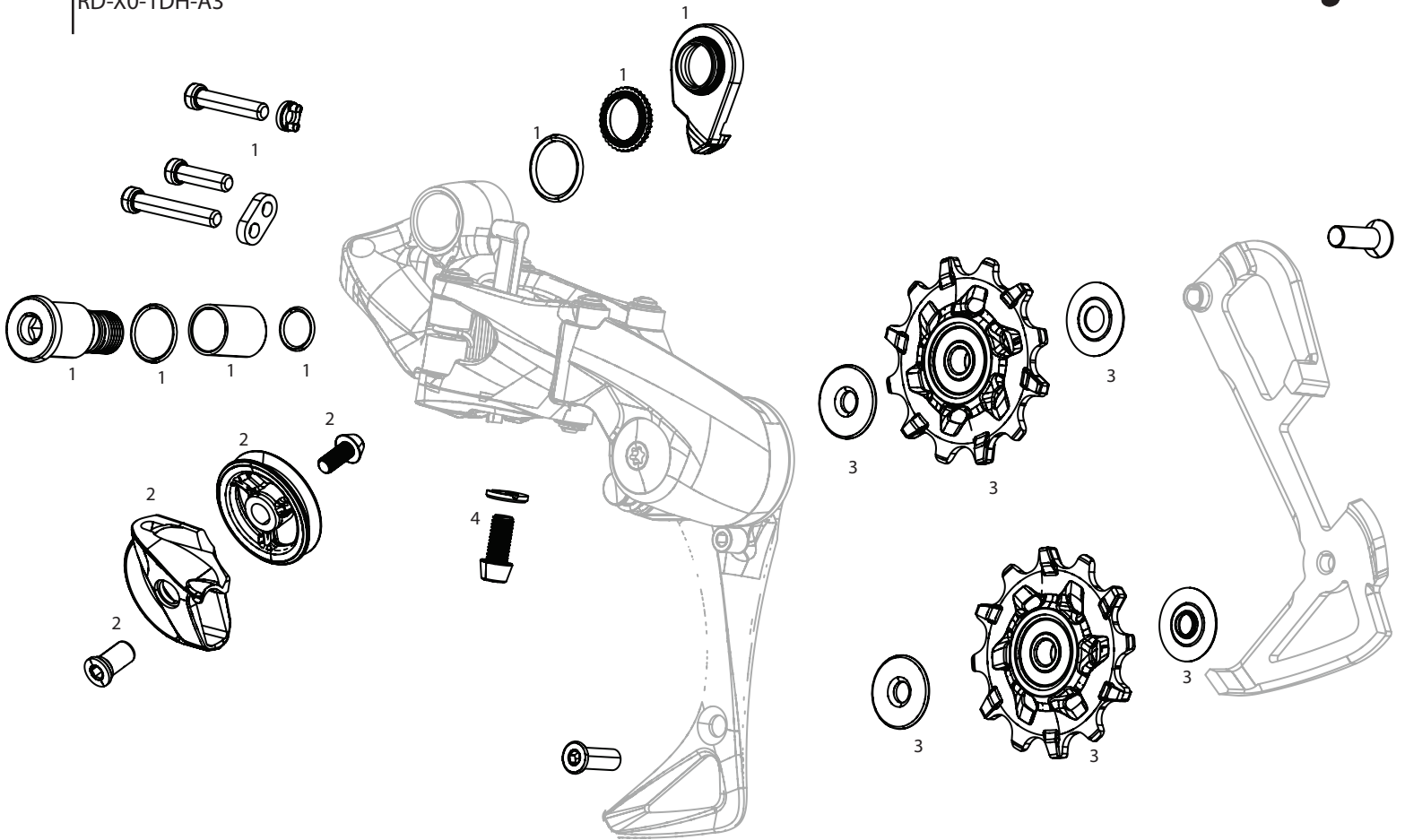
SRAM X0 - REAR DERAILLEUR 3x9 (2006-2013)

RD-X0-A1



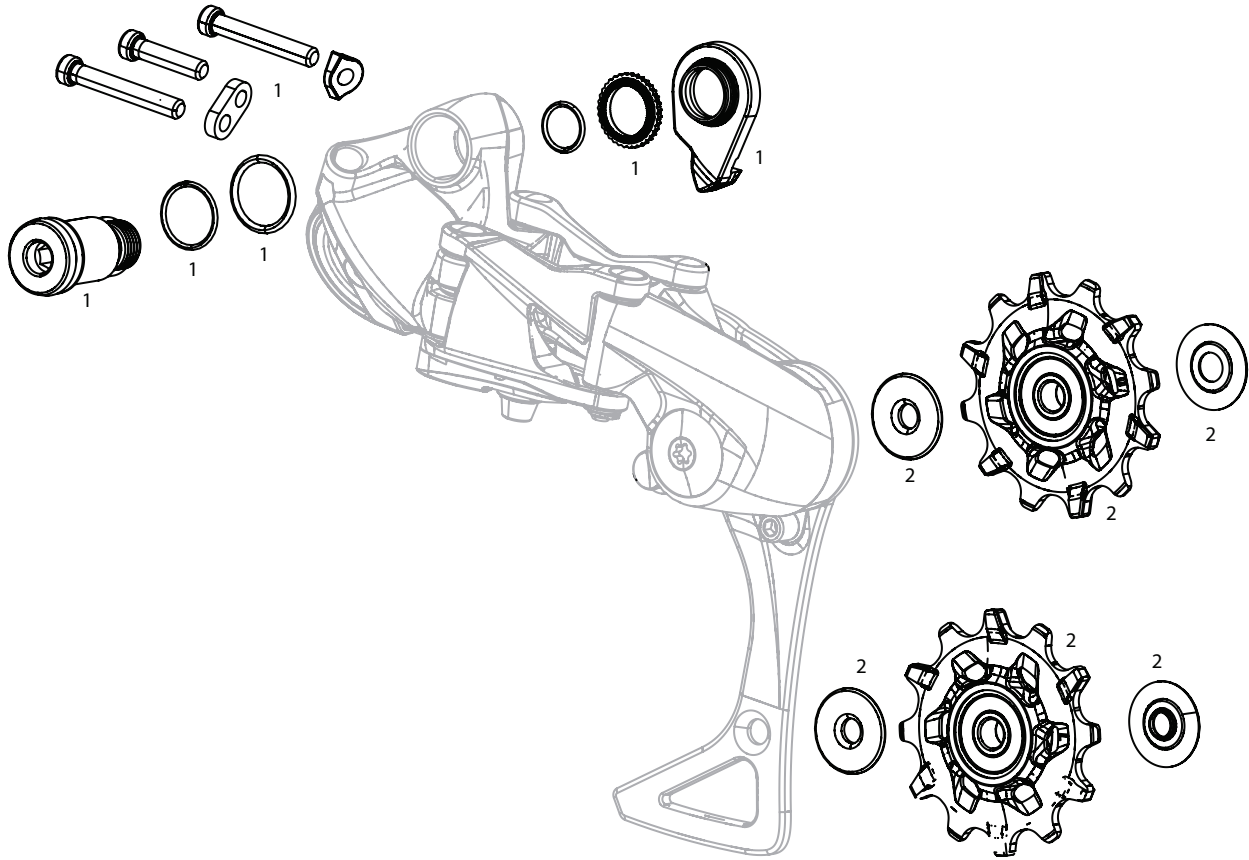
NO.	PART NUMBER	DESCRIPTION
2	11.7515.032.000	REAR DERAILLEUR TORSION SPRING 06-09 X0
3	00.0000.200.733	REAR DERAILLEUR PULLEY KIT 05-07 X0, 07-09 X9 SHORT CAGE, 08-09 X7 SHORT CAGE
4	11.7515.022.000	REAR DERAILLEUR PULLEY KIT 2008-2011 X0 QTY 2

SRAM X0 DH 7spd (2019-) - REAR DERAILLEUR  
RD-X0-1DH-A3



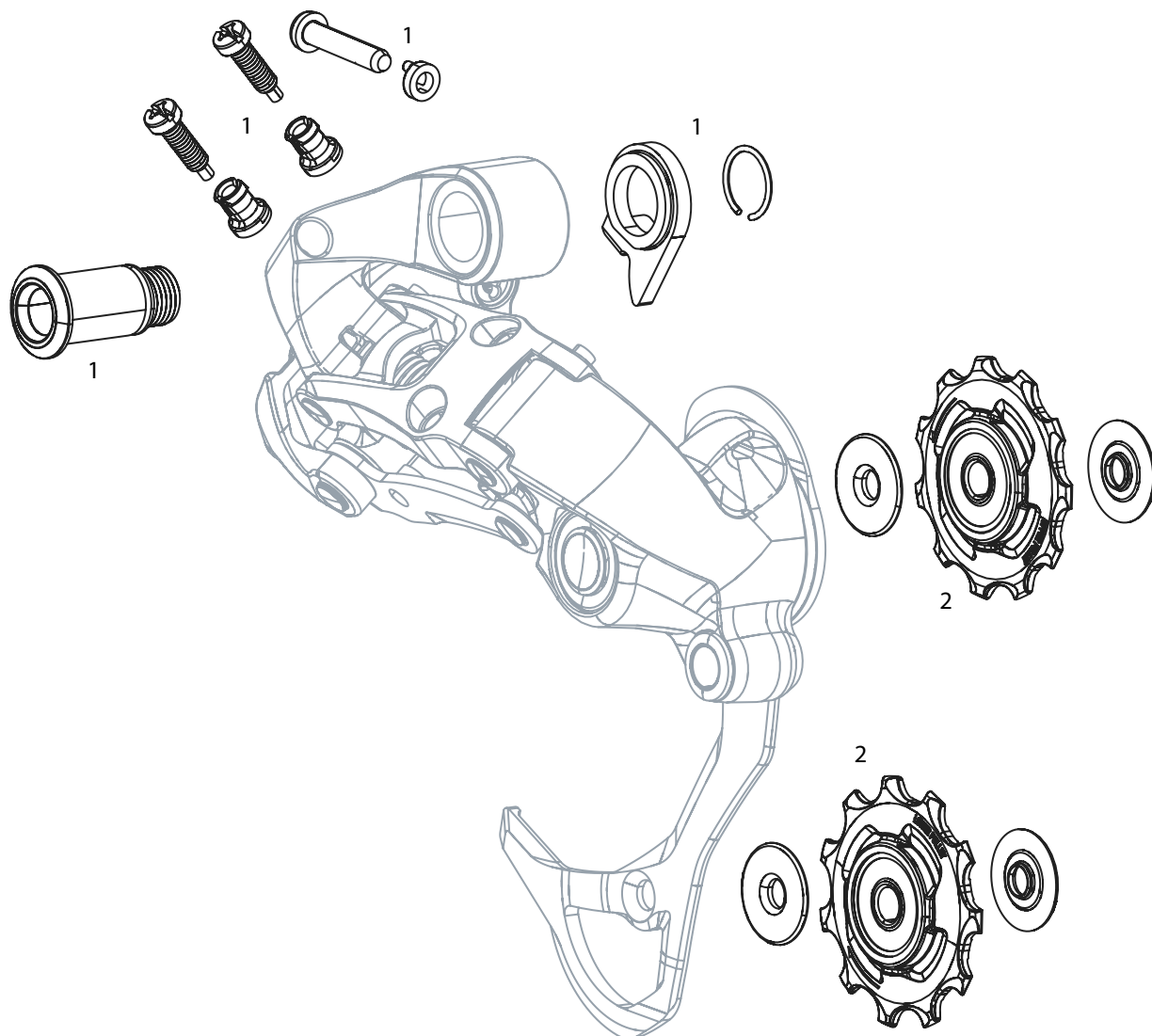
NO.	PART NUMBER	DESCRIPTION
1	11.7518.068.000	REAR DERAILLEUR B-BOLT AND LIMIT SCREW KIT GX DH/X01DH 7 SPEED HEX5
2	11.7518.029.000	REAR DERAILLEUR CABLE PULLEY AND GUIDE KIT X01/DH/X1
3	11.7518.032.000	REAR DERAILLEUR PULLEY KIT X01/X01DH/X1/FORCE 1 X-SYNC
4	11.7518.015.000	REAR DERAILLEUR CABLE ANCHOR BOLT AND WASHER KIT XX1

SRAM GX DH 7spd (2019-) - REAR DERAILLEUR  
RD-GX-1DH-A3



NO.	PART NUMBER	DESCRIPTION
1	11.7518.068.000	REAR DERAILLEUR B-BOLT AND LIMIT SCREW KIT GX DH/X01DH 7 SPEED HEX5
2	11.7518.070.000	REAR DERAILLEUR PULLEY KIT GX DH 7 SPEED

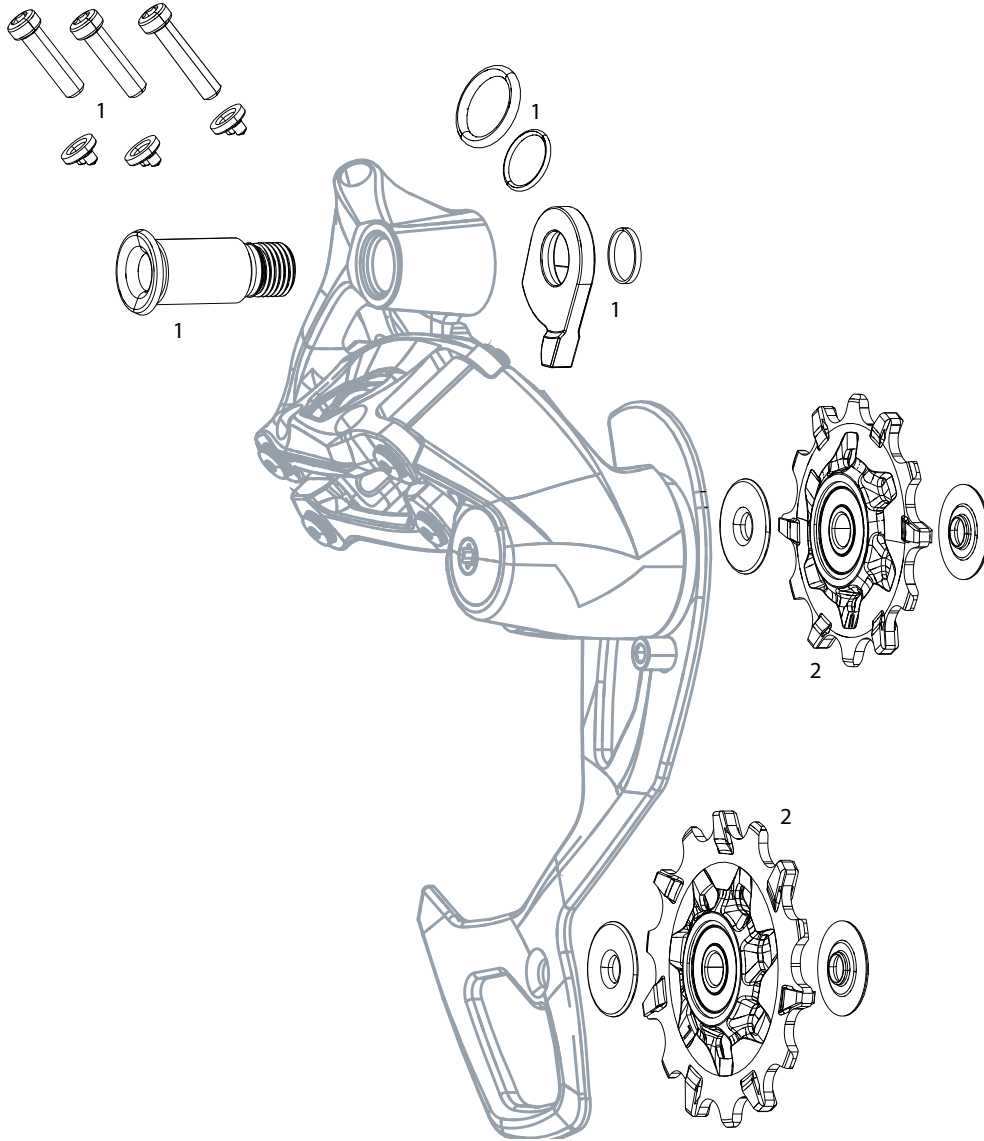
SRAM GX 2X10 TYPE 2.1 - REAR DERAILLEUR  
RD-GX-T21-A1



NO.	PART NUMBER	DESCRIPTION
1	11.7518.042.000	REAR DERAILLEUR B-BOLT AND SCREW KIT GX 2X10
2	11.7518.018.001	REAR DERAILLEUR PULLEY KIT X9/X7/GX 2X10 TYPE2 QTY 2

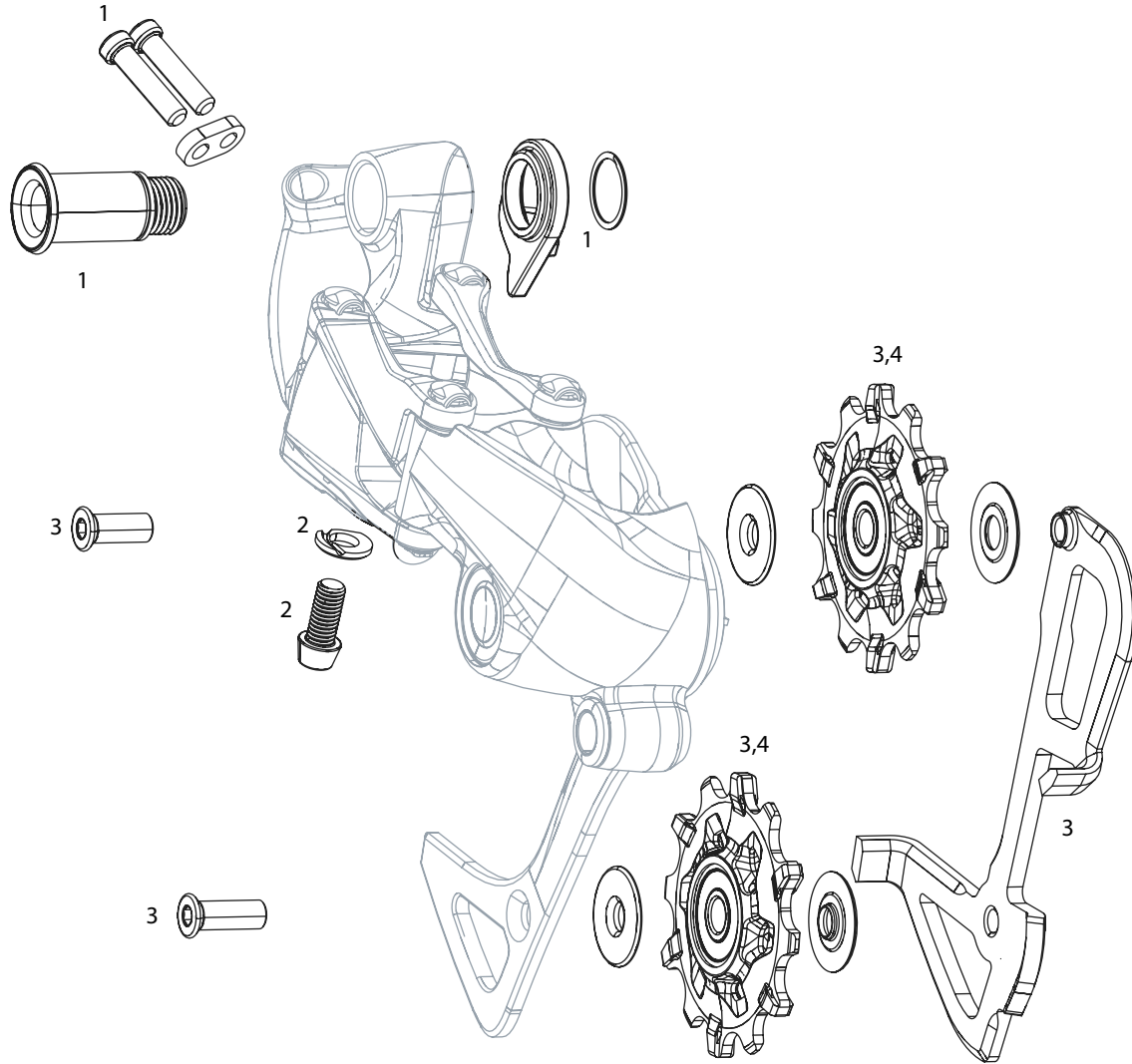
# SRAM GX 2X11 TYPE 2.1 - REAR DERAILLEUR

RD-GX-11-A1



NO.	PART NUMBER	DESCRIPTION
1	11.7518.049.000	REAR DERAILLEUR B-BOLT AND SCREW KIT GX 2X11
2	11.7518.051.000	REAR DERAILLEUR PULLEY KIT GX 2X11

SRAM GX 1X11, GX DH 1X7 TYPE 2.1 - REAR DERAILLEUR  
RD-GX-1-A1 / RD-GX-1DH-A2



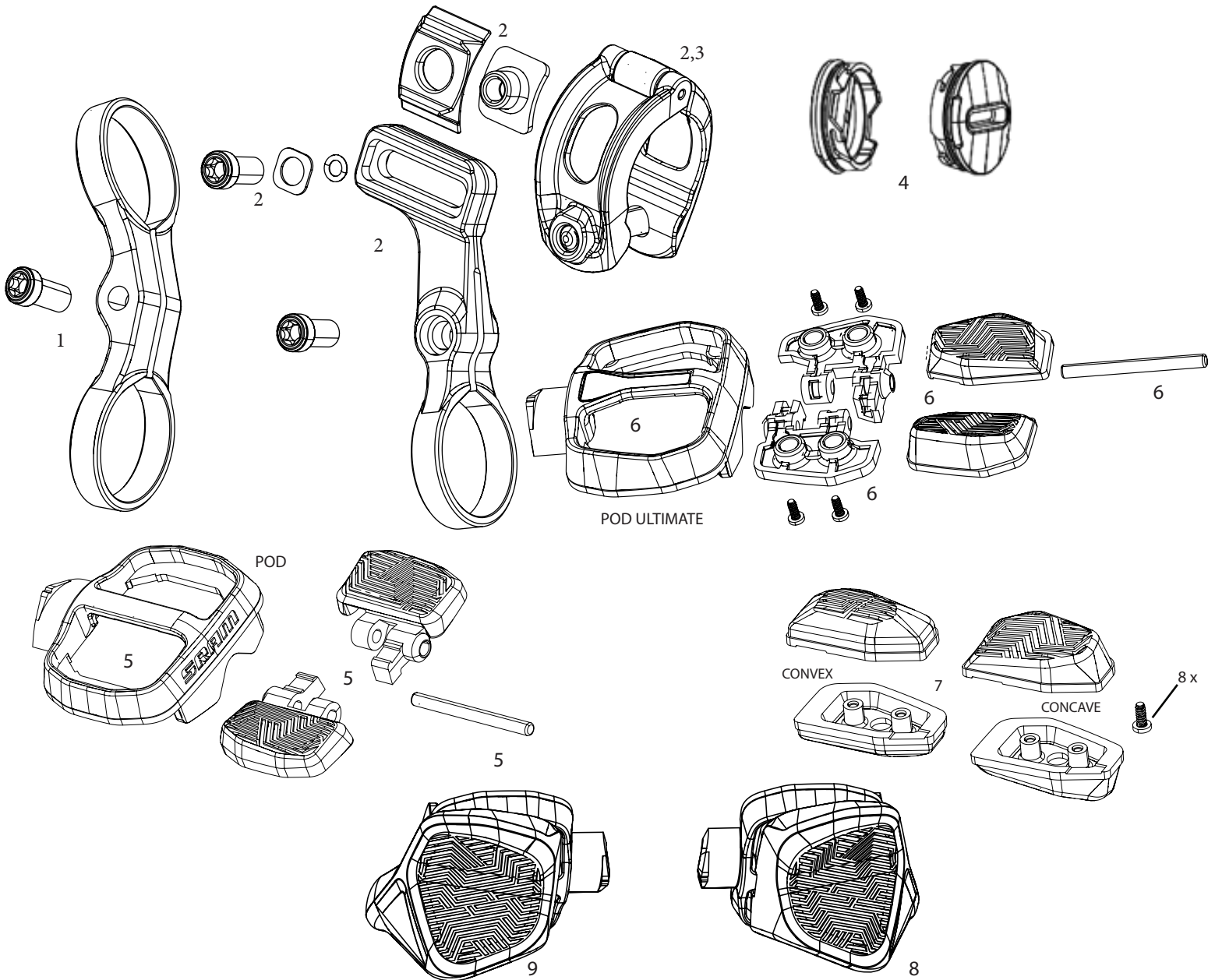
NO.	PART NUMBER	DESCRIPTION
1	11.7518.055.000	REAR DERAILLEUR B-BOLT AND LIMIT SCREW KIT GX 1X11
1	11.7518.068.000	REAR DERAILLEUR B-BOLT AND LIMIT SCREW KIT GX DH/X01DH 7 SPEED HEX5
2	11.7518.057.000	REAR DERAILLEUR CABLE ANCHOR BOLT AND WASHER KIT GX 1X11
3	11.7518.059.000	REAR DERAILLEUR PULLEY AND INNER CAGE KIT GX 1X11/FORCE1/RIVAL1 TYPE 2.1 (MEDIUM/LONG CAGE)
4	11.7518.032.000	REAR DERAILLEUR PULLEY KIT X01/X01DH/X1/FORCE 1 X-SYNC
4	11.7518.070.000	REAR DERAILLEUR PULLEY KIT GX DH 7 SPEED





# POD (ULTIMATE) & ROCKER - ELECTRIC CONTROLLER

EC-AXS-POD-B1, EC-AXS-PODU-C1, EC-AXS-PODR-C1

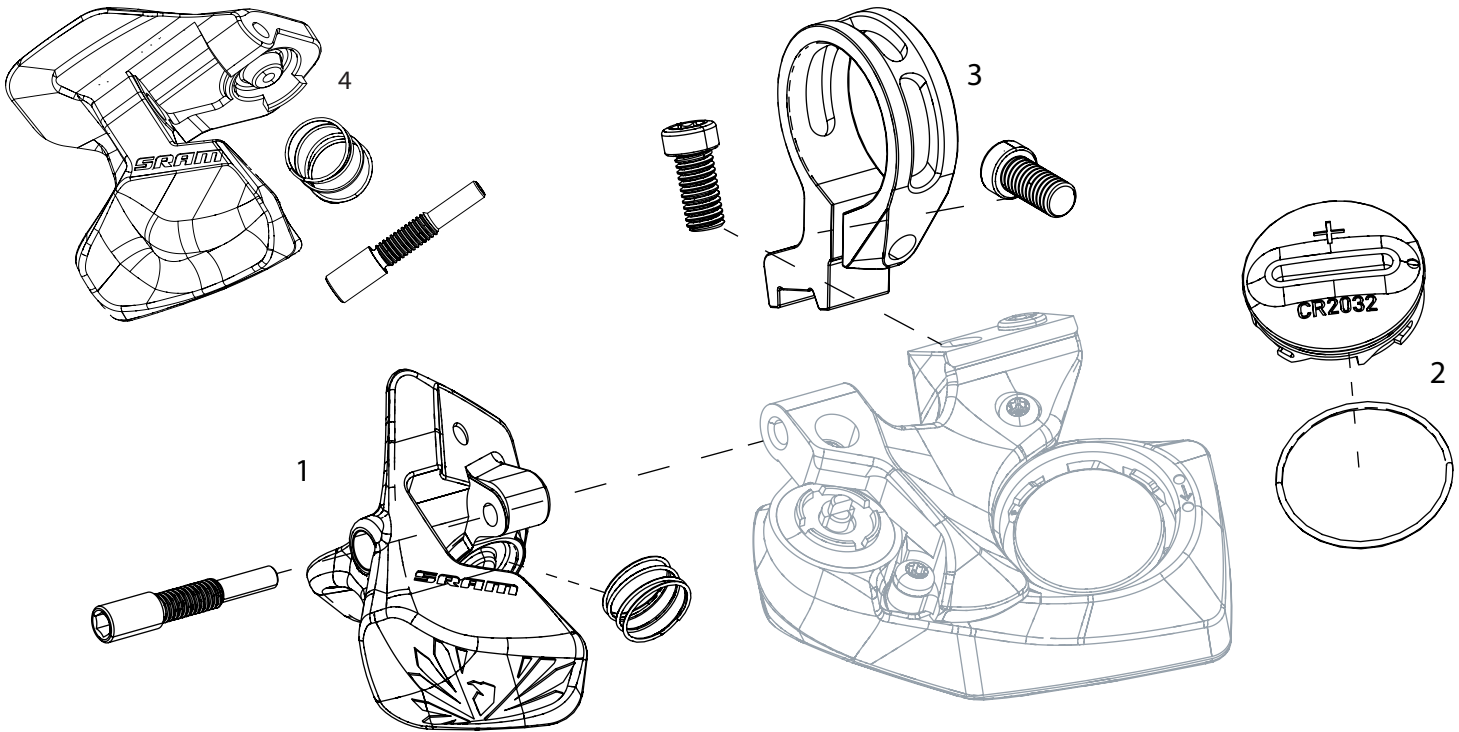


NO.	PART NUMBER	DESCRIPTION
1	11.3018.018.000	ELECTRONIC CONTROLLER POD AXS ULTIMATE INFINITE CLAMP LEFT OR RIGHT (INCLUDING TORX T25 SCREW)
2	11.3018.018.001	ELECTRONIC CONTROLLER POD AXS BRIDGE CLAMP RIGHT (INCLUDING RIGHT BRIDGE CLAMP, MMX, WASHER, O-RING, TWIST LOCKS, NUT, 2 TORX T25 SCREW)
NS	11.3018.018.002	ELECTRONIC CONTROLLER POD AXS BRIDGE CLAMP LEFT (INCLUDING LEFT BRIDGE CLAMP, MMX, WASHER, O-RING, TWIST LOCKS, NUT, 2 TORX T25 SCREW)
3	11.3018.018.003	ELECTRONIC CONTROLLER POD AXS ULTIMATE MMX CLAMP (INCLUDING CLAMP AND TORX T25 SCREW)
4	11.3018.018.008	ELECTRONIC CONTROLLER POD AXS BATTERY DOOR KIT - COIN SLOT VERSION - INCLUDING O-RING
5	11.3018.030.000	ELECTRONIC CONTROLLER POD AXS HMI MODULE COVER KIT (INCLUDING LEVER CAPS, PANEL, PIN)
6	11.3018.018.009	ELECTRONIC CONTROLLER POD AXS ULTIMATE HMI MODULE BOLT-ON COVER KIT (INCLUDING CONCAVE LEVER CAPS, PANEL, KNOBS, PIN, 4 BOLTS)
7	11.3018.034.000	ELECTRONIC CONTROLLER POD AXS ULTIMATE LEVER CAPS KIT FOR BOLT ON CONTROLLER (INCLUDING 2 CONCAVE AND 2 CONVEX LEVER CAPS AND BOLTS)
8	11.3018.037.000	EC AXS POD ROCKER HMI PADDLE UPGRADE RIGHT (INCLUDING PIN, SCREWS, PANEL)
9	11.3018.037.001	EC AXS POD ROCKER HMI PADDLE UPGRADE LEFT (INCLUDING PIN, SCREWS, PANEL)



# XX1 / X01 / GX EAGLE AXS ELECTRONIC CONTROLLER (SHIFTER)

EC-AXS-SRAM-A1 / EC-AXS-RKSX-A1 / EC-GX-AXS-A1

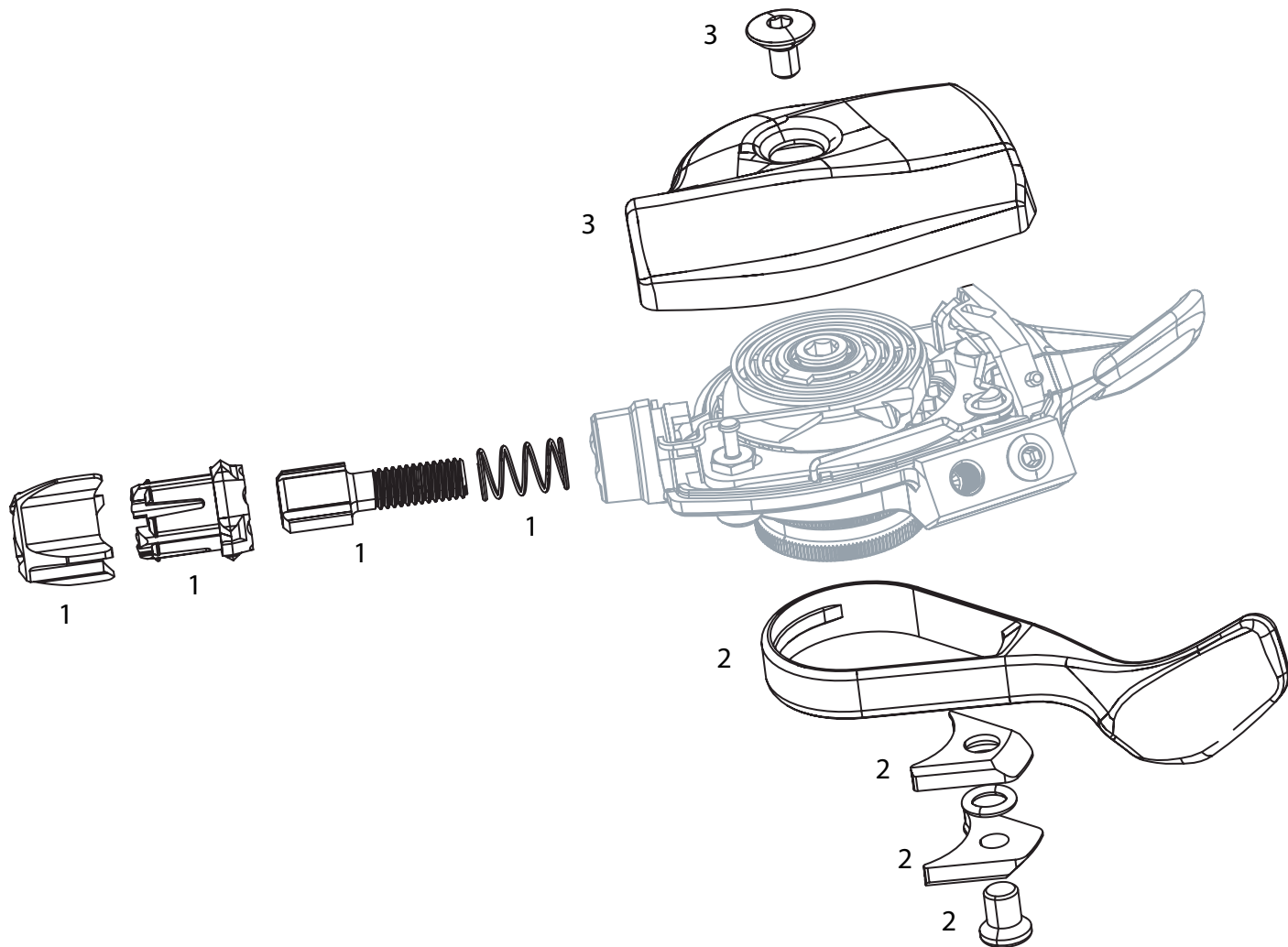


NO.	PART NUMBER	DESCRIPTION
1	11.7018.076.000	ELECTRONIC CONTROLLER LEVER - AXS SRAM 2 BUTTON RIGHT (INCLUDES LEVER, SPRING & PIN) - XX1 X01 EAGLE AXS
2	11.7018.076.001	ELECTRONIC CONTROLLER BATTERY HATCH - (INCLUDES O-RING) XX1, X01 EAGLE AXS & REVERB AXS
3	11.7018.076.002	ELECTRONIC CONTROLLER DISCRETE CLAMP - (INCLUDING 2 BOLTS) - EAGLE / REVERB AXS
4	00.3018.290.000	Electronic Controller Lever - AXS SRAM Rocker 2 Button Right (Includes Lever, Spring, Pivot Pin) - Eagle AXS Right Hand Controllers
4	00.3018.290.001	Electronic Controller Lever - AXS SRAM Rocker 2 Button Left (Includes Lever, Spring, Pivot Pin) - Eagle AXS/Flight Attendant



# SRAM XX1 EAGLE TRIGGER SHIFTER

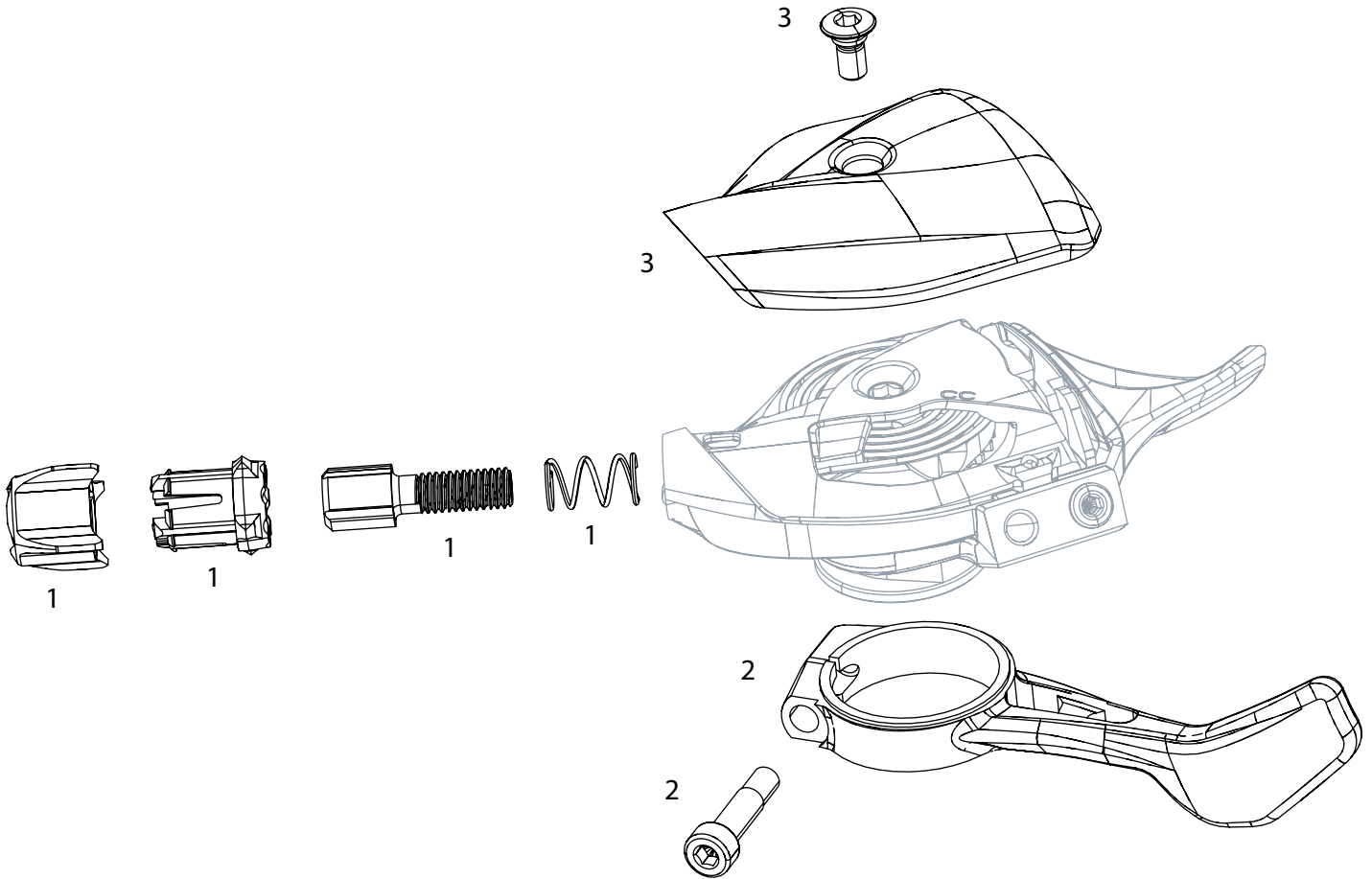
SL-XX-1-B1 / SL-XX1-PA-B1 / SL-XX-1-B2 / SL-XX-1PA-B2



NO.	PART NUMBER	DESCRIPTION
1	11.7018.055.000	SHIFT LEVER TRIGGER BARREL ADJUSTER KIT XX1/X01 EAGLE GOLD
1	11.7018.055.010	SHIFT LEVER TRIGGER BARREL ADJUSTER KIT XX1/X01 EAGLE BLACK
2	11.7018.056.000	SHIFT LEVER TRIGGER PULL LEVER KIT XX1 EAGLE, RIGHT
2	11.7018.085.005	SHIFT LEVER TRIGGER PULL LEVER KIT XX1 EAGLE B2 LUNAR/BLACK
3	11.7018.058.000	SHIFT LEVER TRIGGER COVER KIT XX1 EAGLE RIGHT GOLD
3	11.7018.058.010	SHIFT LEVER TRIGGER COVER KIT XX1 EAGLE RIGHT NEUTRAL
ns	11.7018.062.000	SHIFT LEVER TRIGGER XX1/X01 EAGLE TRIGGER CLAMP AND BOLT KIT QTY 1



**SRAM X01 EAGLE TRIGGER SHIFTER**  
 SL-X0-1-B1 / SL-X01-PA-B1 / SL-X0-1-B2 / SL-X01-PA-B2

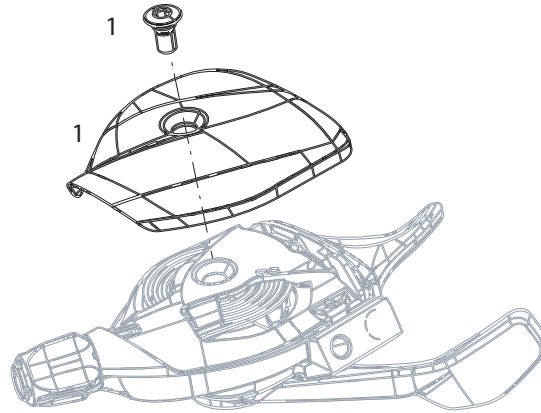


NO.	PART NUMBER	DESCRIPTION
1	11.7018.055.000	SHIFT LEVER TRIGGER BARREL ADJUSTER KIT XX1/X01 EAGLE GOLD
1	11.7018.055.010	SHIFT LEVER TRIGGER BARREL ADJUSTER KIT XX1/X01 EAGLE BLACK
2	11.7018.059.000	SHIFT LEVER TRIGGER PULL LEVER KIT X01 EAGLE, RIGHT
2	11.7018.085.004	SHIFT LEVER TRIGGER PULL LEVER KIT X01 EAGLE B2 LUNAR
3	11.7018.060.000	SHIFT LEVER TRIGGER COVER KIT X01 EAGLE RIGHT RED
3	11.7018.060.010	SHIFT LEVER TRIGGER COVER KIT X01 EAGLE RIGHT NEUTRAL
3	11.7018.085.001	SHIFT LEVER TRIGGER COVER KIT X01 EAGLE B2 LUNAR/RED
3	11.7018.085.002	SHIFT LEVER TRIGGER COVER KIT X01 EAGLE B2 LUNAR
3	11.7018.085.003	SHIFT LEVER TRIGGER COVER KIT X01 EAGLE B2 LUNAR/BLACK
ns	11.7018.062.000	SHIFT LEVER TRIGGER XX1/X01 EAGLE TRIGGER CLAMP AND BOLT KIT QTY 1



# SRAM GX EAGLE - TRIGGER SHIFTER

SL-GX-1-A1 / SL-GX1-PA-B1 / SL-GX-1-A2 / SL-GX-1PA-B2

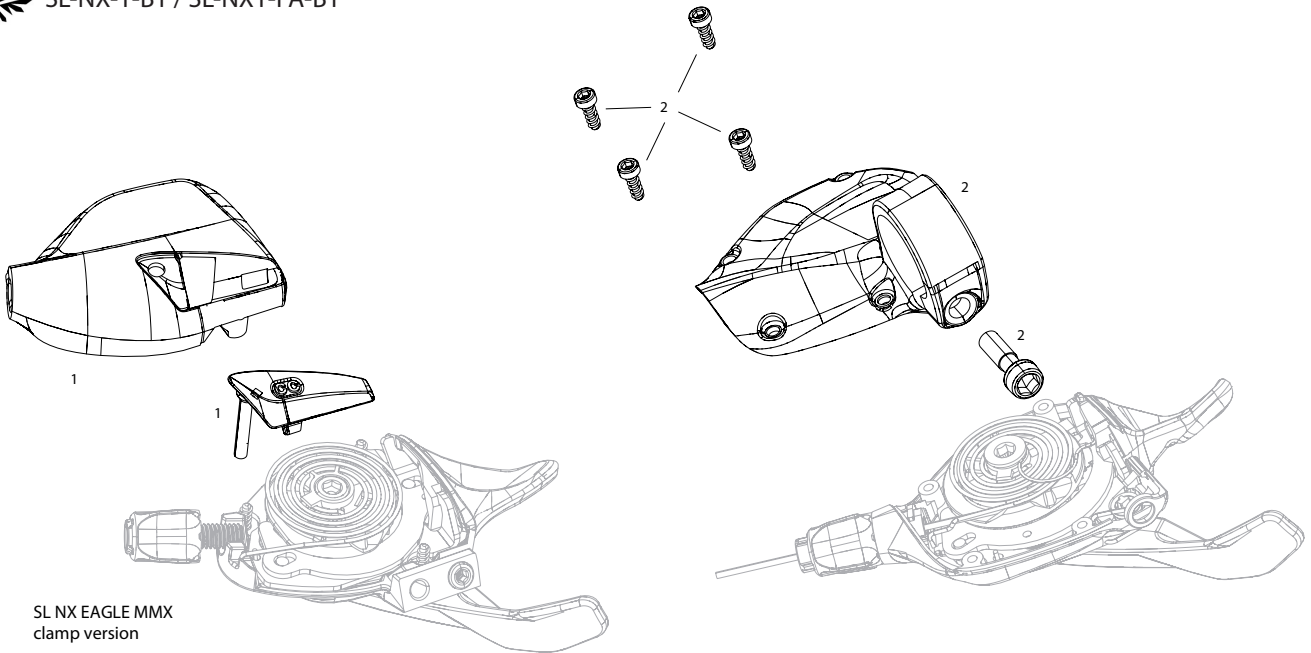


NO.	PART NUMBER	DESCRIPTION
1	11.7018.071.000	SHIFT LEVER TRIGGER COVER KIT GX EAGLE RIGHT BLACK
1	11.7018.085.000	SHIFT LEVER TRIGGER COVER KIT GX EAGLE LUNAR



# SRAM NX EAGLE - TRIGGER SHIFTER

SL-NX-1-B1 / SL-NX1-PA-B1

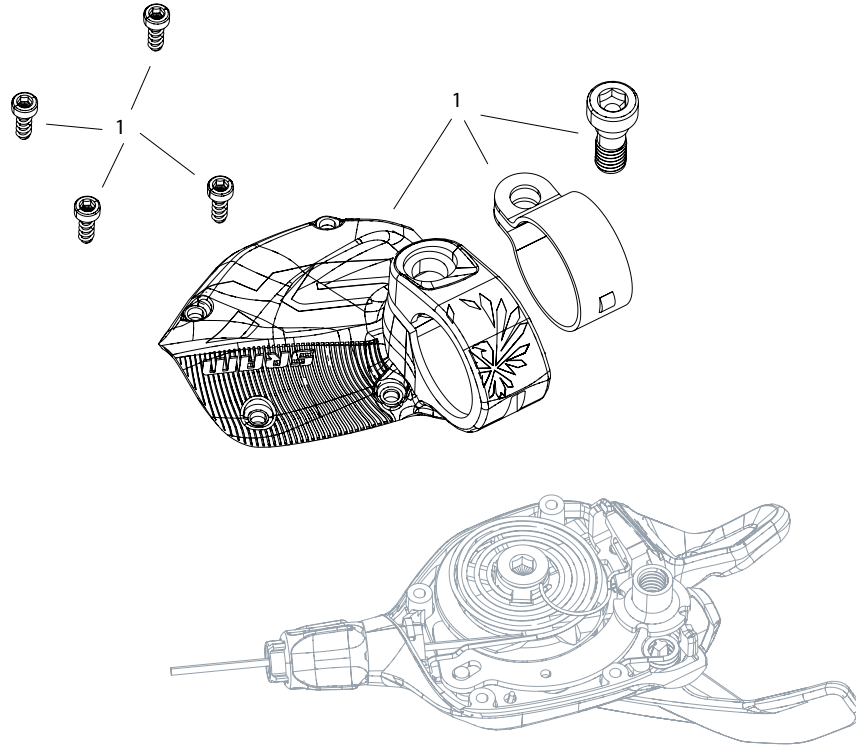


NO.	PART NUMBER	DESCRIPTION
1	11.7018.074.001	SHIFT LEVER TRIGGER MMX COVER KIT NX EAGLE
2	11.7018.074.000	SHIFT LEVER TRIGGER COVER KIT NX EAGLE



# SRAM SX EAGLE - TRIGGER SHIFTER

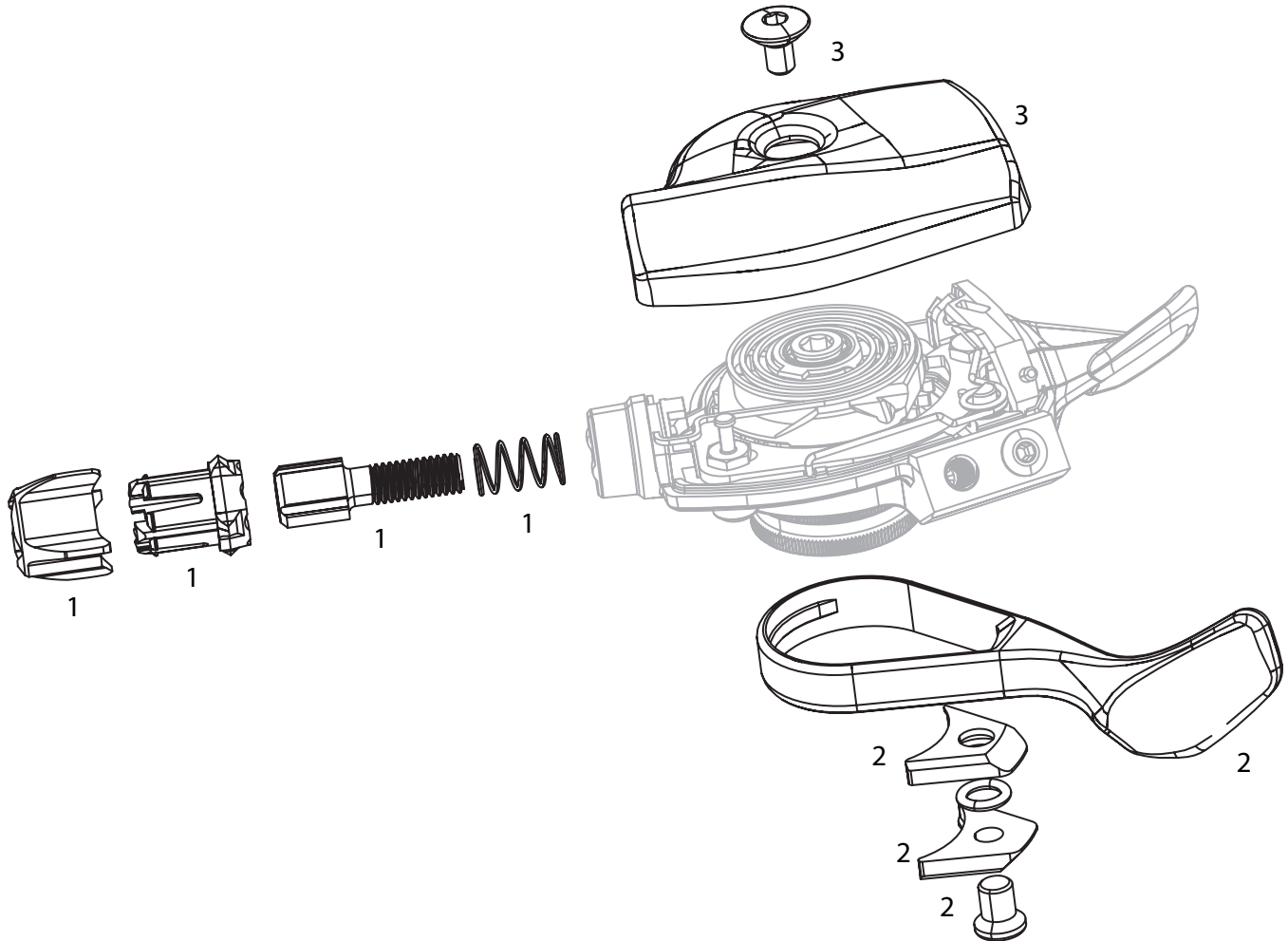
SL-SX-1-A1 / SL-SX1-PA-A1



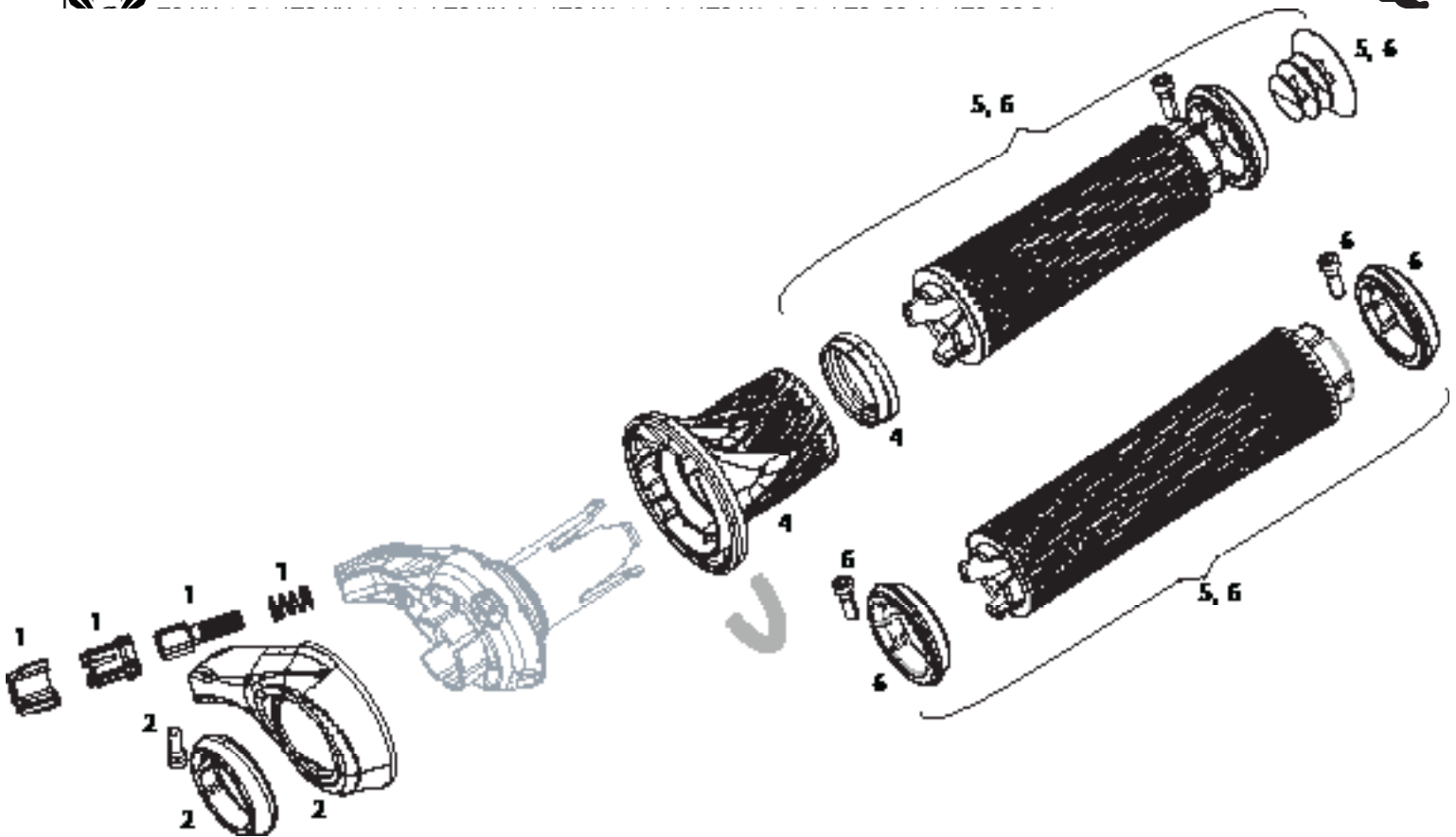
NO.	PART NUMBER	DESCRIPTION
1	11.7018.083.000	SHIFT LEVER TRIGGER COVER KIT SX EAGLE

SRAM XX1 / X01 / X01DH - TRIGGER SHIFTER 1X

SL-XX-11-A1 / SL-X0-11-A1 / SL-X0-DH-A1



NO.	PART NUMBER	DESCRIPTION
1	11.7018.012.000	SHIFT LEVER TRIGGER BARREL ADJUSTER KIT XX1
2	11.7018.013.000	SHIFT LEVER TRIGGER PULL LEVER KIT XX1 RED, RIGHT
3	11.7018.014.000	SHIFT LEVER TRIGGER COVER KIT XX1, RIGHT
ns	11.7015.074.000	SHIFT LEVER TRIGGER CLAMP/BOLT KIT XX1/XX QTY 1

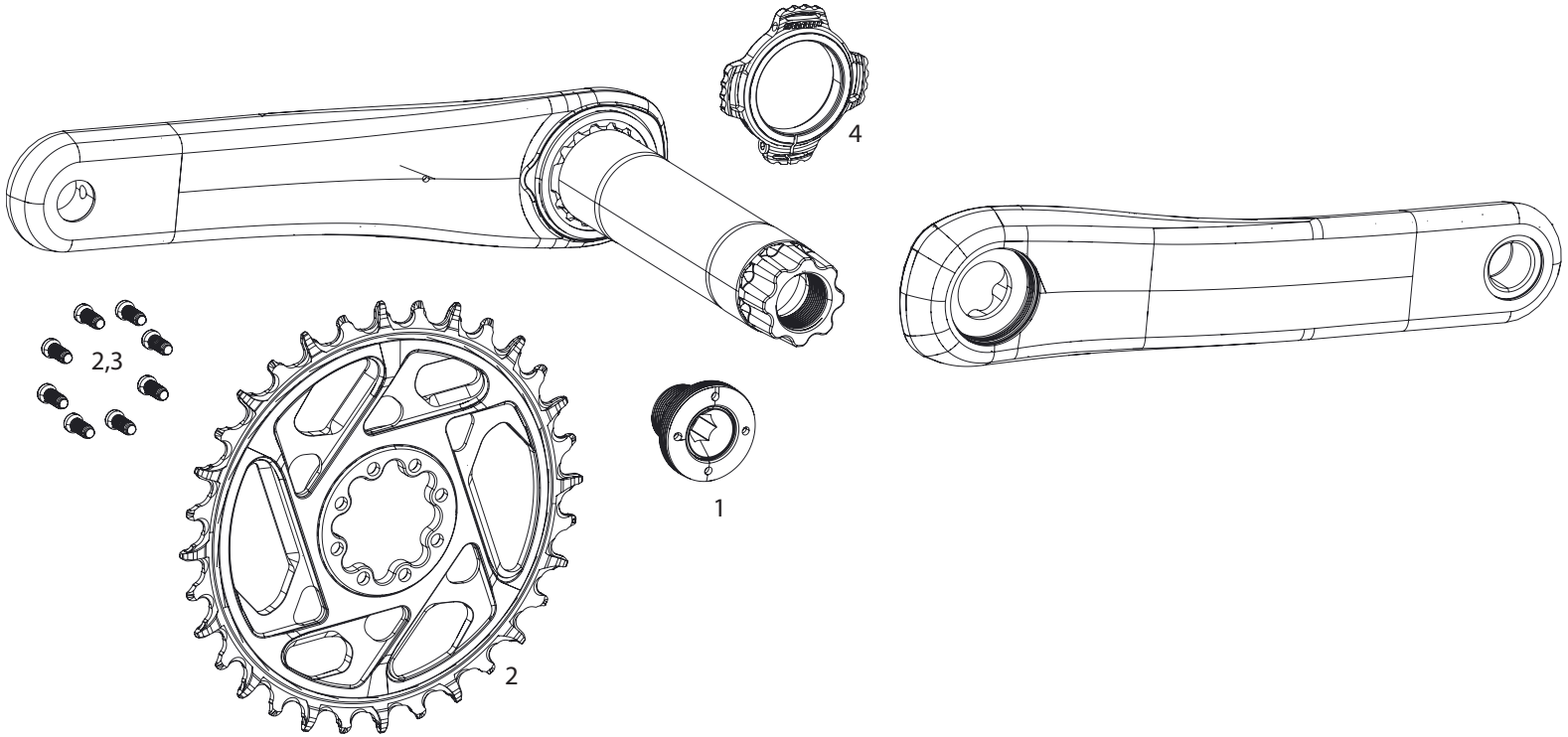


NO.	PART NUMBER	DESCRIPTION
1	11.7018.006.001	TWIST SHIFTER BARREL ADJUSTER KIT BLACK X0/XX1 QTY 1
2	11.7018.061.000	TWIST SHIFTER GRIP SHIFT COVER/CLAMP KIT XX1 EAGLE GOLD, RIGHT QTY 1
2	11.7018.061.010	TWIST SHIFTER GRIP SHIFT COVER/CLAMP KIT XX1 EAGLE BLACK, RIGHT QTY 1
2	11.7018.061.030	TWIST SHIFTER COVER AND CLAMP KIT X01 EAGLE GRIP SHIFT BLACK, RIGHT QTY 1
4	11.7018.010.002	TWIST SHIFTER GRIP INCLUDING LOCKRING XX1/X01/NON SERIES EAGLE
5	00.7918.013.000	LOCKING GRIPS FOR GRIP SHIFT INTEGRATED 100MM WITH SILVER CLAMPS AND END PLUG
5	00.7918.013.001	LOCKING GRIPS FOR GRIP SHIFT INTEGRATED 100MM WITH BLACK CLAMPS AND END PLUG
5	00.7918.013.002	LOCKING GRIPS FOR GRIP SHIFT FULL LENGTH 122MM WITH SILVER CLAMPS AND END PLUG
5	00.7918.013.003	LOCKING GRIPS FOR GRIP SHIFT FULL LENGTH 122MM WITH BLACK CLAMPS AND END PLUG
5	00.7918.013.004	LOCKING GRIPS FOR XX1 GRIP SHIFT 100MM AND 122MM WITH SILVER CLAMPS AND END PLUG
6	00.7918.013.005	LOCKING GRIPS FOR XX1 GRIP SHIFT 100MM AND 122MM WITH BLACK CLAMPS AND END PLUG





**XX SL EAGLE CRANK**  
FC-XX-SL-D1

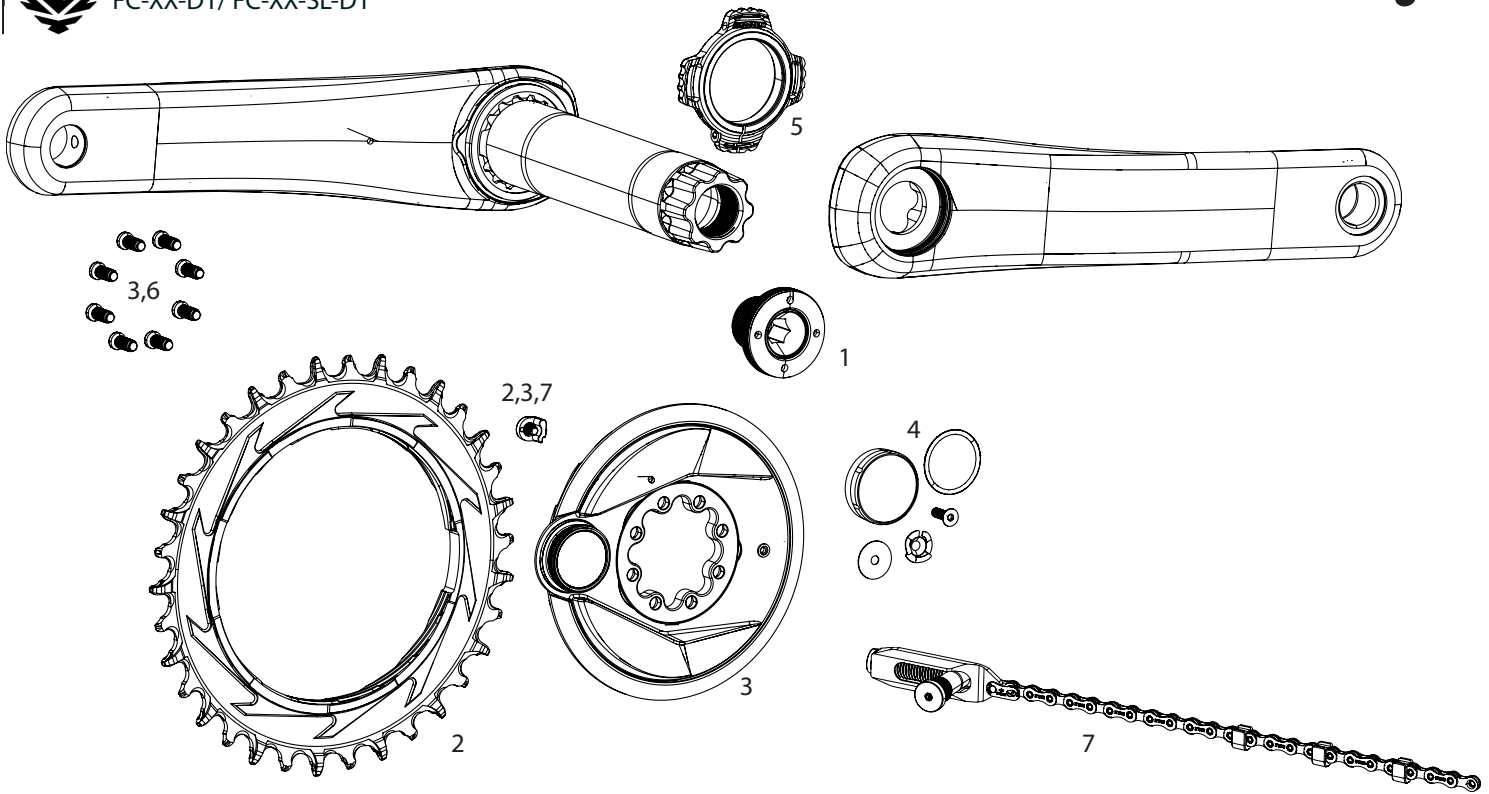


NO.	PART NUMBER	DESCRIPTION
1	11.6118.073.001	CRANK ARM BOLT KIT SELF-EXTRACTING M18/M30 DUB SILVER (XX&XXSL D1)
2	11.6218.054.010	CHAIN RING T-TYPE 32T DIRECT MOUNT 0MM OFFSET EAGLE (INCLUDING 8 BOLTS) BLACK - XXSL D1
2	11.6218.054.011	CHAIN RING T-TYPE 34T DIRECT MOUNT 0MM OFFSET EAGLE (INCLUDING 8 BOLTS) BLACK - XXSL D1
2	11.6218.054.012	CHAIN RING T-TYPE 36T DIRECT MOUNT 0MM OFFSET EAGLE (INCLUDING 8 BOLTS) BLACK - XXSL D1
2	11.6218.054.013	CHAIN RING T-TYPE 38T DIRECT MOUNT 0MM OFFSET EAGLE (INCLUDING 8 BOLTS) BLACK - XXSL D1
2	11.6218.054.014	CHAIN RING T-TYPE 32T DIRECT MOUNT 3MM OFFSET EAGLE (INCLUDING 8 BOLTS) BLACK - XXSL D1
2	11.6218.054.015	CHAIN RING T-TYPE 34T DIRECT MOUNT 3MM OFFSET EAGLE (INCLUDING 8 BOLTS) BLACK - XXSL D1
2	11.6218.054.016	CHAIN RING T-TYPE 36T DIRECT MOUNT 3MM OFFSET EAGLE (INCLUDING 8 BOLTS) BLACK - XXSL D1
2	11.6218.054.017	CHAIN RING T-TYPE 38T DIRECT MOUNT 3MM OFFSET EAGLE (INCLUDING 8 BOLTS) BLACK - XXSL D1
3	11.6118.063.000	CRANK MOUNTING BOLT KIT - REMOVABLE SPIDER / CHAINRING DIRECT MOUNT - TORX T20 QTY 8
4	11.6418.001.001	BOTTOM BRACKET PRELOAD ADJUSTER KIT DUB (INCLUDING SCREW, OUTERRING AND 2 INNERRINGS NON-FLANGED & FLANGED)
ns	11.6118.074.000	CRANK ARM GUARD/BOOTS BLACK - COMPATIBLE WITH XX,XXSL D1 & XX CF PEDAL ASSIST BOSCH- QTY 2
ns	11.6418.002.003	BOTTOM BRACKET SPACER KIT DUB MTB WIDE (QTY 4 - sizes 1x5.0mm, 1x7.5mm and 2x3.0MM)



# XX & XXSL EAGLE CRANK INCLUDING SPIDER POWERMETER

FC-XX-D1/ FC-XX-SL-D1

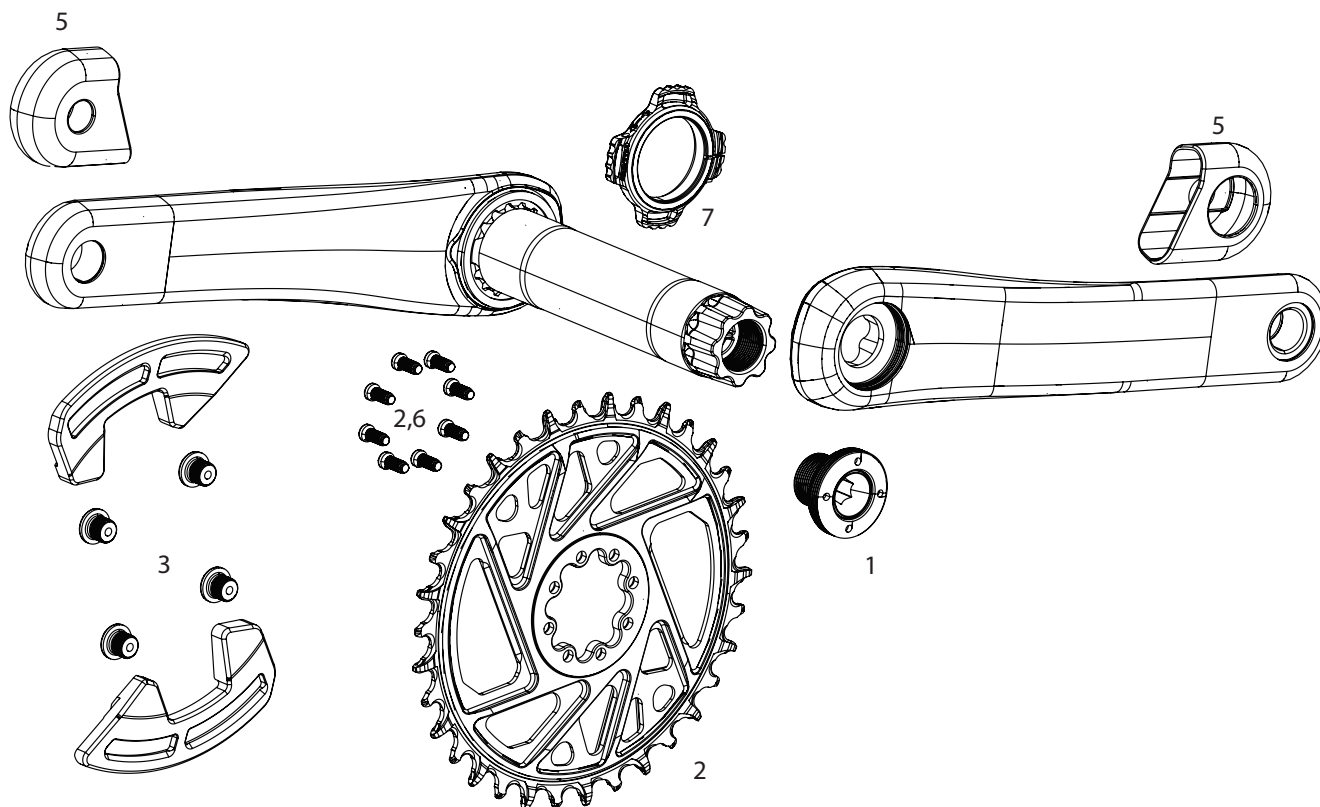


NO.	PART NUMBER	DESCRIPTION
1	11.6118.073.001	CRANK ARM BOLT KIT SELF-EXTRACTING M18/M30 DUB SILVER (XX&XXSL D1)
2	11.6218.055.000	CHAIN RING T-TYPE 32T POWERMETER THREADED 0MM OFFSET EAGLE (INCLUDING PIN THREAD BACKUP AND SCREW) - BLACK/SILVER XXSL D1
2	11.6218.055.001	CHAIN RING T-TYPE 34T POWERMETER THREADED 0MM OFFSET EAGLE (INCLUDING PIN THREAD BACKUP AND SCREW) - BLACK/SILVER XXSL D1
2	11.6218.055.002	CHAIN RING T-TYPE 36T POWERMETER THREADED 0MM OFFSET EAGLE (INCLUDING PIN THREAD BACKUP AND SCREW) - BLACK/SILVER XXSL D1
2	11.6218.055.003	CHAIN RING T-TYPE 38T POWERMETER THREADED 0MM OFFSET EAGLE (INCLUDING PIN THREAD BACKUP AND SCREW) - BLACK/SILVER XXSL D1
2	11.6218.055.004	CHAIN RING T-TYPE 32T POWERMETER THREADED 3MM OFFSET EAGLE (INCLUDING PIN THREAD BACKUP AND SCREW) - BLACK/SILVER XXSL D1
2	11.6218.055.005	CHAIN RING T-TYPE 34T POWERMETER THREADED 3MM OFFSET EAGLE (INCLUDING PIN THREAD BACKUP AND SCREW) - BLACK/SILVER XXSL D1
2	11.6218.055.006	CHAIN RING T-TYPE 36T POWERMETER THREADED 3MM OFFSET EAGLE (INCLUDING PIN THREAD BACKUP AND SCREW) - BLACK/SILVER XXSL D1
2	11.6218.055.007	CHAIN RING T-TYPE 38T POWERMETER THREADED 3MM OFFSET EAGLE (INCLUDING PIN THREAD BACKUP AND SCREW) - BLACK/SILVER XXSL D1
3	00.3018.345.000	POWER METER SPIDER AXS D1 FOR THREADED MOUNT CHAINRINGS - XX XXSL (INCLUDING 8 BOLTS AND THREAD BACK UP PIN FOR CHAINRING)
4	11.3018.017.000	POWER METER BATTERY LID AND COVER (INCLUDING WASHER, O-RING, SPRING) XX XXSL EAGLE D1
5	11.6118.063.000	CRANK MOUNTING BOLT KIT - REMOVABLE SPIDER / CHAINRING DIRECT MOUNT - TORX T20 QTY 8
6	11.6418.001.001	BOTTOM BRACKET PRELOAD ADJUSTER KIT DUB (INCLUDING SCREW, OUTERRING AND 2 INNERINGS NON-FLANGED & FLANGED)
7	00.6218.042.000	SRAM THREADED CHAINRING REMOVAL TOOL - INCLUDING BACK-UP PIN (FOR XX D1 /XXSL D1 POWERMETERS WITH THREAD MOUNT RINGS)
ns	11.6118.074.000	CRANK ARM GUARD/BOOTS BLACK - COMPATIBLE WITH XX,XXSL D1 & XX CF PEDAL ASSIST BOSCH- QTY 2
ns	11.6418.002.003	BOTTOM BRACKET SPACER KIT DUB MTB WIDE (QTY 4 - sizes 1x5.0mm, 1x7.5mm and 2x3.0MM)



# XX EAGLE CRANK INCLUDING SPINDLE POWERMETER

FC-XX-D1

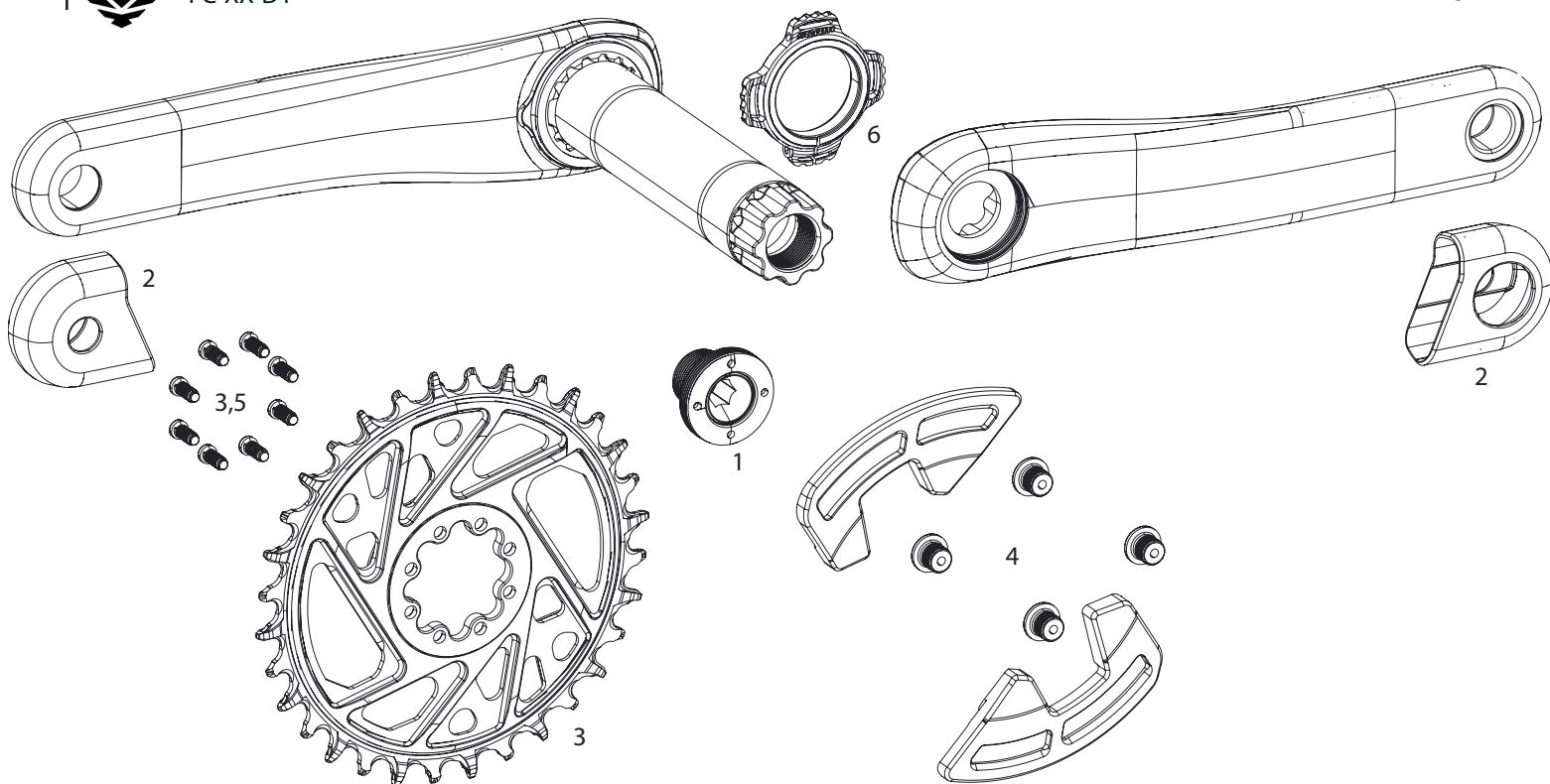


NO.	PART NUMBER	DESCRIPTION
1	11.6118.073.001	CRANK ARM BOLT KIT SELF-EXTRACTING M18/M30 DUB SILVER (XX&XXSL D1)
2	11.6218.054.006	CHAIN RING T-TYPE 30T DIRECT MOUNT 3MM OFFSET EAGLE (INCLUDING 8 BOLTS) BLACK - XX D1
2	11.6218.054.007	CHAIN RING T-TYPE 32T DIRECT MOUNT 3MM OFFSET EAGLE (INCLUDING 8 BOLTS) BLACK - XX D1
2	11.6218.054.008	CHAIN RING T-TYPE 34T DIRECT MOUNT 3MM OFFSET EAGLE (INCLUDING 8 BOLTS) BLACK - XX D1
2	11.6218.054.009	CHAIN RING T-TYPE 36T DIRECT MOUNT 3MM OFFSET EAGLE (INCLUDING 8 BOLTS) BLACK - XX D1
3	11.6318.008.000	SINGLE IMPACT/BASH GUARD KIT FOR 30T XX D1 (INCLUDING 1 IMPACT/BASH GUARD, 2 GUARD BOLTS)
3	11.6318.008.001	SINGLE IMPACT/BASH GUARD KIT FOR 32T XX D1 (INCLUDING 1 IMPACT/BASH GUARD, 2 GUARD BOLTS)
3	11.6318.008.002	SINGLE IMPACT/BASH GUARD KIT FOR 34T XX D1 (INCLUDING 1 IMPACT/BASH GUARD, 2 GUARD BOLTS)
3	11.6318.008.003	SINGLE IMPACT/BASH GUARD KIT FOR 36T XX D1 (INCLUDING 1 IMPACT/BASH GUARD, 2 GUARD BOLTS)
5	11.6118.074.000	CRANK ARM GUARD/BOOTS BLACK - COMPATIBLE WITH XX,XXSL D1 & XX CF PEDAL ASSIST BOSCH- QTY 2
6	11.6118.063.000	CRANK MOUNTING BOLT KIT - REMOVABLE SPIDER / CHAINRING DIRECT MOUNT - TORX T20 QTY 8
7	11.6418.001.001	BOTTOM BRACKET PRELOAD ADJUSTER KIT DUB (INCLUDING SCREW, OUTERRING AND 2 INNERRINGS NON-FLANGED & FLANGED)
ns	11.6418.002.003	BOTTOM BRACKET SPACER KIT DUB MTB WIDE (QTY 4 - sizes 1x5.0mm, 1x7.5mm and 2x3.0MM)



# XX EAGLE CRANK

FC-XX-D1

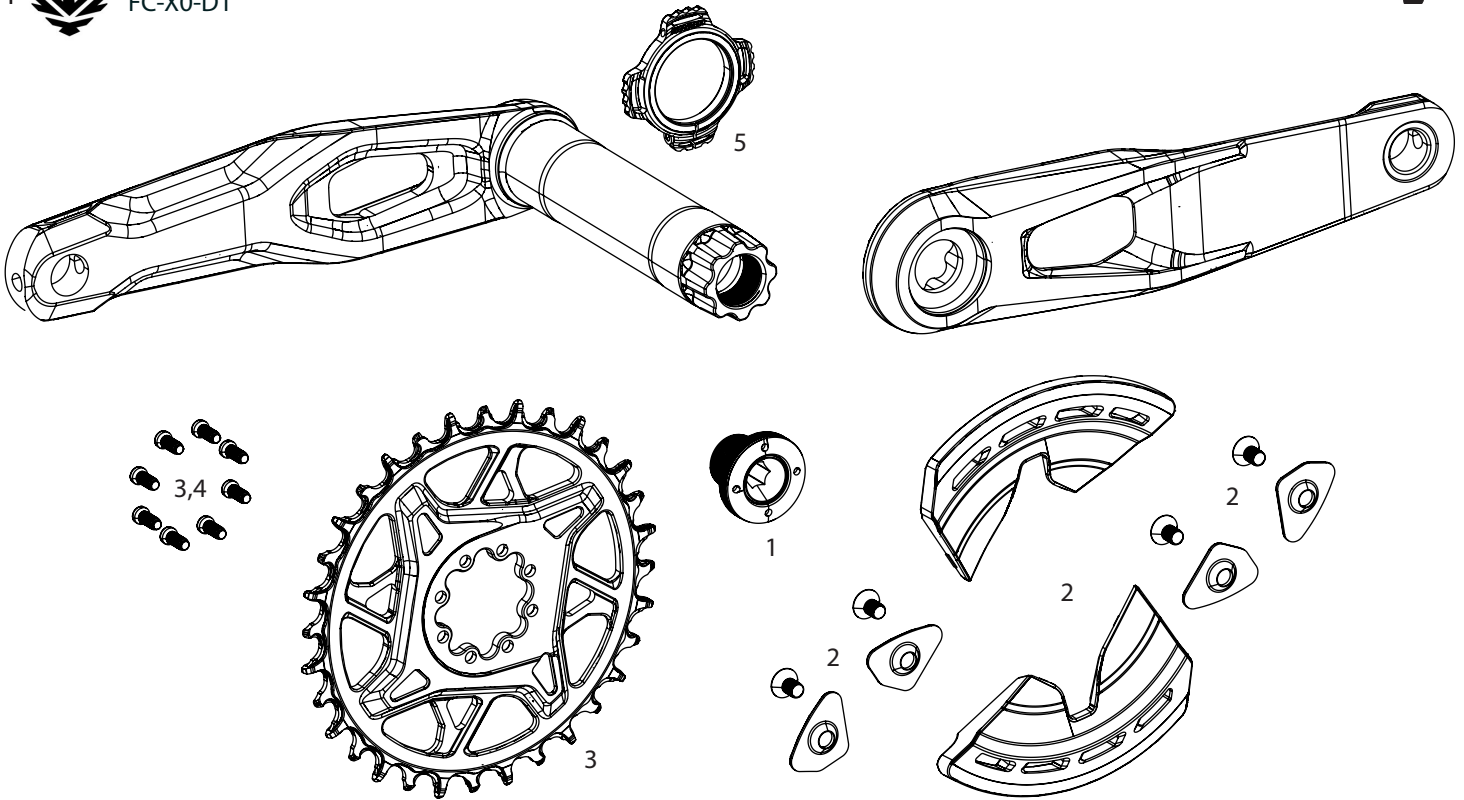


NO.	PART NUMBER	DESCRIPTION
1	11.6118.073.001	CRANK ARM BOLT KIT SELF-EXTRACTING M18/M30 DUB SILVER (XX&XXSL D1)
2	11.6118.074.000	CRANK ARM GUARD/BOOTS BLACK - COMPATIBLE WITH XX,XXSL D1 & XX CF PEDAL ASSIST BOSCH- QTY 2
3	11.6218.054.006	CHAIN RING T-TYPE 30T DIRECT MOUNT 3MM OFFSET EAGLE (INCLUDING 8 BOLTS) BLACK - XX D1
3	11.6218.054.007	CHAIN RING T-TYPE 32T DIRECT MOUNT 3MM OFFSET EAGLE (INCLUDING 8 BOLTS) BLACK - XX D1
3	11.6218.054.008	CHAIN RING T-TYPE 34T DIRECT MOUNT 3MM OFFSET EAGLE (INCLUDING 8 BOLTS) BLACK - XX D1
3	11.6218.054.009	CHAIN RING T-TYPE 36T DIRECT MOUNT 3MM OFFSET EAGLE (INCLUDING 8 BOLTS) BLACK - XX D1
4	11.6318.008.000	SINGLE IMPACT/BASH GUARD KIT FOR 30T XX D1 (INCLUDING 1 IMPACT/BASH GUARD, 2 GUARD BOLTS)
4	11.6318.008.001	SINGLE IMPACT/BASH GUARD KIT FOR 32T XX D1 (INCLUDING 1 IMPACT/BASH GUARD, 2 GUARD BOLTS)
4	11.6318.008.002	SINGLE IMPACT/BASH GUARD KIT FOR 34T XX D1 (INCLUDING 1 IMPACT/BASH GUARD, 2 GUARD BOLTS)
4	11.6318.008.003	SINGLE IMPACT/BASH GUARD KIT FOR 36T XX D1 (INCLUDING 1 IMPACT/BASH GUARD, 2 GUARD BOLTS)
5	11.6118.063.000	CRANK MOUNTING BOLT KIT - REMOVABLE SPIDER / CHAINRING DIRECT MOUNT - TORX T20 QTY 8
6	11.6418.001.001	BOTTOM BRACKET PRELOAD ADJUSTER KIT DUB (INCLUDING SCREW, OUTERRING AND 2 INNERRINGS NON-FLANGED & FLANGED)
ns	11.6418.002.003	BOTTOM BRACKET SPACER KIT DUB MTB WIDE (QTY 4 - sizes 1x5.0mm, 1x7.5mm and 2x3.0MM)
ns	00.6118.663.003	Crank Arm Assembly XX ISIS 165 Black Self Extracting Bolt - for Pedal Assist (Crank cap/Chainring/BB not included)
ns	00.6118.663.004	Crank Arm Assembly XX ISIS 170 Black Self Extracting Bolt - for Pedal Assist (Crank cap/Chainring/BB not included)
ns	00.6118.663.005	Crank Arm Assembly XX ISIS 175 Black Self Extracting Bolt - for Pedal Assist (Crank cap/Chainring/BB not included)
ns	11.6118.072.000	Pedal Assist Bosch Carbon Crank Cap - including 3 screws
ns	11.6118.072.001	Pedal Assist Bosch/Sram/Brose Alu and Sram/Brose Carbon Crank Cap - including 3 screws
ns	11.6118.072.002	Pedal Assist TQ Crank Cap - Compatible with XX and Aluminum X0,GX arms (for TQ HPR50 motors) - including 3 screws



# X0 GX EAGLE CRANK

FC-X0-D1



NO.	PART NUMBER	DESCRIPTION
1	11.6118.073.000	CRANK ARM BOLT KIT SELF-EXTRACTING M18/M30 DUB DARK POLAR BLACK (X0 D1)
2	11.6318.007.000	SINGLE IMPACT/BASH GUARD KIT FOR 30T X0 GX D1 (INCLUDING 1 IMPACT GUARD, 2 BACKPLATES, 2 GUARD BOLTS)
2	11.6318.007.001	SINGLE IMPACT/BASH GUARD KIT FOR 32T X0 GX D1 (INCLUDING 1 IMPACT GUARD, 2 BACKPLATES, 2 GUARD BOLTS)
2	11.6318.007.002	SINGLE IMPACT/BASH GUARD KIT FOR 34T X0 GX D1 (INCLUDING 1 IMPACT GUARD, 2 BACKPLATES, 2 GUARD BOLTS)
3	11.6218.054.003	CHAIN RING T-TYPE 30T DIRECT MOUNT 3MM OFFSET EAGLE (INCLUDING 8 BOLTS) BLACK - X0 D1
3	11.6218.054.004	CHAIN RING T-TYPE 32T DIRECT MOUNT 3MM OFFSET EAGLE (INCLUDING 8 BOLTS) BLACK - X0 D1
3	11.6218.054.005	CHAIN RING T-TYPE 34T DIRECT MOUNT 3MM OFFSET EAGLE (INCLUDING 8 BOLTS) BLACK - X0 D1
3	11.6218.054.000	Chain Ring T-TYPE 30T Direct Mount 3mm Offset Eagle (including 8 bolts) Dark Polar - GX D1
3	11.6218.054.001	Chain Ring T-TYPE 32T Direct Mount 3mm Offset Eagle (including 8 bolts) Dark Polar - GX D1
3	11.6218.054.002	Chain Ring T-TYPE 34T Direct Mount 3mm Offset Eagle (including 8 bolts) Dark Polar - GX D1
4	11.6118.063.000	CRANK MOUNTING BOLT KIT - REMOVABLE SPIDER / CHAINRING DIRECT MOUNT - TORX T20 QTY 8
5	11.6418.001.001	BOTTOM BRACKET PRELOAD ADJUSTER KIT DUB (INCLUDING SCREW, OUTERRING AND 2 INNERRINGS NON-FLANGED & FLANGED)
ns	11.6418.002.003	BOTTOM BRACKET SPACER KIT DUB MTB WIDE (QTY 4 - sizes 1x5.0mm, 1x7.5mm and 2x3.0MM)
ns	00.6118.662.000	Crank Arm Assembly X0 ISIS 160 Black Self Extracting Bolt - for Pedal Assist (Crank cap/Chainring/BB not included)
ns	00.6118.662.001	Crank Arm Assembly X0 ISIS 165 Black Self Extracting Bolt - for Pedal Assist (Crank cap/Chainring/BB not included)
ns	00.6118.662.002	Crank Arm Assembly X0 ISIS 170 Black Self Extracting Bolt - for Pedal Assist (Crank cap/Chainring/BB not included)
ns	00.6118.662.003	Crank Arm Assembly X0 ISIS 155 Black Self Extracting Bolt - for Pedal Assist (Crank cap/Chainring/BB not included)
ns	00.6118.662.004	Crank Arm Assembly X0 ISIS 150 Black Self Extracting Bolt - for Pedal Assist (Crank cap/Chainring/BB not included)
ns	00.6118.664.000	Crank Arm Assembly GX ISIS 160 Black Self Extracting Bolt - for Pedal Assist (Crank cap/Chainring/BB not included)
ns	00.6118.664.001	Crank Arm Assembly GX ISIS 165 Black Self Extracting Bolt - for Pedal Assist (Crank cap/Chainring/BB not included)
ns	00.6118.664.002	Crank Arm Assembly GX ISIS 170 Black Self Extracting Bolt - for Pedal Assist (Crank cap/Chainring/BB not included)
ns	00.6118.664.003	Crank Arm Assembly GX ISIS 155 Black Self Extracting Bolt - for Pedal Assist (Crank cap/Chainring/BB not included)
ns	00.6118.664.004	Crank Arm Assembly GX ISIS 150 Black Self Extracting Bolt - for Pedal Assist (Crank cap/Chainring/BB not included)
ns	11.6118.072.000	Pedal Assist Bosch Carbon Crank Cap - including 3 screws
ns	11.6118.072.001	Pedal Assist Bosch/Sram/Brose Alu and Sram/Brose Carbon Crank Cap - including 3 screws
ns	11.6118.072.002	Pedal Assist TQ Crank Cap - Compatible with XX and Aluminum X0,GX arms (for TQ HPR50 motors) - including 3 screws

## CRANK LEFT ARMS / SPIDER / CRANK (CHAIN RING) BOLTS

PART NUMBER	DESCRIPTION
CRANK LEFT ARM	
11.6118.039.000	CRANK LEFT ARM GX 1000 GXP BLACK 175MM
11.6118.055.010	CRANK LEFT ARM GX EAGLE GXP 170MM BLACK
11.6118.055.020	CRANK LEFT ARM GX EAGLE GXP 175MM BLACK
11.6115.548.010	CRANK LEFT ARM X5 GXP 175MM BLACK
11.6118.059.002	CRANK LEFT ARM DESCENDANT ALUMINUM 6K EAGLE GXP 175MM BLACK
CRANK SPARES	
11.6115.530.060	CRANK ARM BOLT KIT M18/M30 ALLOY SELF-EXTRACTING BB30 RIGHT QTY 1
11.6900.002.020	CRANK ARM BOLT KIT M12 CAPLESS QTY 2 FOR HOWITZER
11.6900.002.040	CRANK ARM BOLT KIT M12/M22 CRMO SELF-EXTRACTING QTY 2 FOR HOWITZER
11.6915.027.000	CRANK ARM BOLT KIT M15/M22 ALLOY SELF-EXTRACTING GXP QTY 1
11.6900.002.070	CRANK ARM BOLT KIT M15/M22 ALLOY SELF-EXTRACTING, QTY 2
11.6900.002.160	CRANK ARM BOLT KIT M15/M26 ALLOY SELF-EXTRACTING GXP BLACK QTY 1
11.6115.530.080	CRANK ARM BOLT KIT SELF EXTRACTING M15/M22 GXP BLACK
11.6118.060.001	CRANK ARM BOLT KIT SELF-EXTRACTING M18/M30 DUB BLACK
11.6118.060.000	CRANK ARM BOLT KIT SELF-EXTRACTING M18/M30 DUB GOLD
11.6118.061.000	CRANK ARM BOLT KIT SELF-EXTRACTING M18/M30 DUB BLACK STEALTH
11.6118.065.000	CRANK ARM BOLT KIT SELF-EXTRACTING M18/M30 DUB LUNAR
11.6118.066.000	CRANK ARM BOLT KIT SELF-EXTRACTING M18/M30 DUB STEEL BLACK
11.6915.017.000	CHAINRING BOLT KIT 4X2 M8.5X12.5 / M8.5X9.5 / M8 STEEL BLACK FOR ROCK GUARD LONG QTY 4
11.6915.007.000	CHAINRING BOLT KIT 4X1 M8.5X12.5 / M8.5X9.5 STEEL BLACK FOR BASH GUARD QTY 4
11.6915.006.000	CHAINRING BOLT KIT 4X1 M8.5X7 / M8.5X5 STEEL BLACK / 2MM SPACERS QTY 4
11.6915.005.000	CHAINRING BOLT KIT 4X1 M8.5X7 / M8.5X5 STEEL BLACK QTY 4
11.6915.004.000	CHAINRING BOLT KIT 4X3 M8.5X7 / M8.5X5 ALUMINUM BLACK / M8 STEEL SILVER TRIPLE QTY 4
11.6915.016.000	CHAINRING BOLT KIT 5X3 M8.5X7 / M8.5X5 STEEL BLACK / M8 STEEL BLACK TRIPLE QTY 5
11.6215.193.050	CHAINRING BOLT KIT 4X1 FOR GUARD MOUNT M8.5 ALUMINUM BLACK QTY 4
11.6215.193.080	CHAINRING BOLT KIT 4X2 M10 ALUMINUM / M8 STEEL BLACK QTY 4
11.6915.015.000	CHAINRING BOLT KIT 5X1 M8.5X7 / M8.5X5 STEEL BLACK / 2MM SPACERS QTY 5
11.6915.018.000	CHAINRING BOLT KIT 5X3 M8.5X7 / M8.5X5 ALUMINUM SILVER / M8 STEEL SILVER QTY 5
11.6915.011.000	CHAINRING BOLT KIT 5X3 M8.5X7 / M8.5X5 STEEL BLACK / M8 STEEL BLACK TRIPLE QTY 5
11.6218.034.000	CHAINRING BOLT KIT 4X1 M8.5 ALUMINUM BLACK QTY 4
11.6215.193.060	CHAINRING BOLT KIT 4X2 M10 ALUMINUM / M8 STEEL GREY QTY 4
11.6918.001.000	CHAINRING BOLT KIT 4X1 M8.5X5 ALUMINUM ZEPHYR GREY QTY 4
11.6918.002.000	CRANK CHAINRING NUT SPACER KIT 2MM ALUMINUM BLACK QTY5
11.6918.003.000	CHAINRING BOLT KIT 4X1 M8.5X7 / M8.5X5 ALUMINUM BLACK QTY 4
11.6918.005.000	CHAINRING BOLT KIT 4X1 M8.5X5 STEEL BLACK EAGLE EMTB QTY 4
00.6118.444.000	XX1/X01 CRANK ARM GUARD BLACK QUANTITY 2
11.6118.074.001	CRANK ARM GUARD/BOOTS BLACK - COMPATIBLE WITH SRAM/BROSE E-MTB - QTY 2
00.6118.321.000	CRANK ARM GUARD BLACK QUANTITY 2
11.6118.078.000	CRANK ARM ABRASION GUARD DECALS FOR 160/165MM CRANK ARMS QTY2
11.6118.078.001	CRANK ARM ABRASION GUARD DECALS FOR 170/175MM CRANK ARMS QTY2
11.6218.053.000	PEDAL ASSIST T-TYPE CHAINRING CLIP ON GUARD UNISIZE 38T/36T/34T (EMTB)

## SPIDER / BOTTOM BRACKET / CASSETTE

PART NUMBER	DESCRIPTION
SPIDER	
11.6118.026.000	CRANK BOLT KIT REMOVABLE SPIDER MOUNTING TORX 25 QTY 3
11.6118.063.000	CRANK MOUNTING BOLT KIT - REMOVABLE SPIDER / CHAINRING DIRECT MOUNT - TORX T20 QTY 8
11.7918.003.000	TORX TOOL T20 (INCLUDES 200MM T20 DRIVER BIT WITH T-HANDLE AND QTY 8 M4 TORX SPIDER MOUNTING BOLTS)
11.6118.064.000	SPIDER BOSCH GEN4 107BCD (NO CHAIN RING, INCLUDING CHAINRING BOLTS)
11.6118.064.001	SPIDER FAZUA RIDE50 107BCD (NO CHAIN RING, INCLUDING CHAINRING BOLTS)
11.6118.064.002	SPIDER SPECIALIZED MAHLE MODEL SL 1.1 107BCD (NO CHAIN RING, INCLUDING CHAINRING BOLTS AND SPIDER ADJUSTMENT SCREW)
11.6118.064.003	SPIDER SPECIALIZED MAHLE MODEL 1.2 SL 104BCD GEN2 BLACK (NO CHAIN RING, INCLUDING CHAINRING BOLTS)
11.6118.064.004	SPIDER SPECIALIZED MAHLE MODEL 1.2 SL 107BCD GEN2 BLACK (NO CHAIN RING, INCLUDING CHAINRING BOLTS)
11.6218.053.000	PEDAL ASSIST T-TYPE CHAINRING CLIP ON GUARD UNISIZE 38T/36T/34T (EMTB)
CASSETTE	
11.2415.022.000	CASSETTE LOCKRING ALUMINUM PG990, PG970 DH FOR 11T RED
11.2415.013.000	CASSETTE LOCKRING ALUMINUM OG1070, PG970 FOR 12T
11.2415.027.010	CASSETTE LOCKRING STEEL PG1050, PG950 12T
11.2418.008.000	CASSETTE REPLACEABLE COGS PG-1210/1230 EAGLE 11T-13T-15T INCLUDING LOCKRING
11.2418.009.000	CASSETTE REPLACEABLE COGS PG-1231 11T-12T-13T INCLUDING LOCKRING
11.2418.010.000	CASSETTE REPLACEABLE COGS XS-1270 EAGLE 10T-12T-14T-16T-18T INCLUDING SPACER
BOTTOM BRACKET	
00.6415.027.000	BB AMERICAN-TO-EURO BMX ADAPTER
11.6415.005.000	BOTTOM BRACKET BB30 SPACER KIT 2 X 2.5MM
11.6415.001.000	BOTTOM BRACKET BEARING ADJUSTER BB30 PRESSFIT 30
11.6415.004.000	BOTTOM BRACKET GXP DRIVE SIDE REDUCER SHIELD QTY 10
11.6418.001.001	BOTTOM BRACKET PRELOAD ADJUSTER KIT DUB (INCLUDING SCREW, OUTERRING AND 2 INNERRINGS NON-FLANGED & FLANGED)
11.6415.007.030	BOTTOM BRACKET SHIELD AND WAVE WASHER ASSEMBLY PRESSFIT 30 BEARING
11.6415.007.010	BOTTOM BRACKET SHIELD AND WAVE WASHER ASSEMBLY PRESSFIT GXP MTB
11.6415.007.040	BOTTOM BRACKET SHIELD AND WAVE WASHER ASSEMBLY PRESSFIT GXP SPECIALIZED 84.5
11.6418.002.002	BOTTOM BRACKET SPACER KIT DUB MTB/ROAD V3 (INCLUDING 2.0, 4.5, 5, 6.0, 6.5, 7.5, 8.5, 9.0, 10.5 AND 2 PIECES OF 2.5, 3.0, 5.5MM) AND 2 STANDARD BSA 68 AL SPACERS
11.6418.002.003	BOTTOM BRACKET SPACER KIT DUB MTB WIDE (QTY 4 - sizes 1x5.0mm, 1x7.5mm and 2x3.0MM)
11.6115.533.020	BOTTOM BRACKET SPINDLE SPACER BB30 - DRIVE SIDE 15.46
11.6115.533.010	BOTTOM BRACKET SPINDLE SPACER BB30 - DRIVE SIDE 9.11
11.6418.000.001	BOTTOM BRACKET SPINDLE SPACER KIT, BB30 QUARQ MTB (DRIVE SIDE SPACER 15.46, OUTER/INNER ADJUSTER RINGS AND SCREW)
11.6115.552.000	BOTTOM BRACKET WAVE WASHER GXP TO PRESSFIT ADAPTER 24.5MM QTY5
00.6415.049.010	PRESSFIT 30 TO BSA ADAPTER, 68 OR 73MM
00.6415.049.020	PRESSFIT 30 TO BSA ADAPTER, 83MM



PART NUMBER	DESCRIPTION
00.6218.007.000	CHAIN RING X-SYNC SPROCKET FOR BOSCH MOTORS 14T STRAIGHT STEEL BLACK
00.6218.007.001	CHAIN RING X-SYNC SPROCKET FOR BOSCH MOTORS 16T STRAIGHT STEEL BLACK
00.6218.007.002	CHAIN RING X-SYNC SPROCKET FOR BOSCH MOTORS 18T STRAIGHT STEEL BLACK

64 BCD

11.6215.188.370	CHAIN RING MTB 22T 64 S1 AL3 BLAST BLACK 10 SPEED
11.6218.023.001	CHAIN RING MTB 22T 64 STEEL MATTE BLACK 2X10 NO PIN
11.6215.188.100	CHAIN RING MTB 22T 64 V3 ALUMINUM 3MM RED
11.6215.089.000	CHAIN RING MTB 22T 64 V3 ALUMINUM HARD BLACK
11.6215.128.000	CHAIN RING MTB 22T 64 V3 ALUMINUM TUNGSTEN GREY
11.6215.064.000	CHAIN RING MTB 22T 64 V3 STEEL MATTE BLACK
11.6218.023.000	CHAIN RING MTB 24T 64 AL3 BLAST BLACK 2X11 NO PIN
11.6215.093.000	CHAIN RING MTB 24T 64 B V1 ALUMINUM 3MM BLAST BLACK 9 & 10 SPEED
11.6215.066.000	CHAIN RING MTB 24T 64 V1 STEEL MATTE BLACK
11.6215.092.000	CHAIN RING MTB 26T 64 V1 ALUMINUM 3MM BLAST BLACK

80 BCD

11.6215.188.310	CHAIN RING MTB 26T 80 S1 AL3 BLAST BLACK 2X10
11.6215.188.120	CHAIN RING MTB 26T 80 XX S1 AL3 TUNGSTEN GREY 10 SPEED

94 BCD

11.6218.026.000	CHAIN RING X-SYNC STEEL 30T 94BCD STEEL 3.5MM BLACK 11 SPEED
11.6218.026.001	CHAIN RING X-SYNC STEEL 32T 94BCD STEEL 3.5MM BLACK 11 SPEED

104 BCD

11.6215.188.290	CHAIN RING MTB 33T 104 S1 AL5 3X10 BLAST BLACK
11.6218.021.000	CHAIN RING MTB 34T 104 AL5 2X10 MEDIUM PIN BLAST BLACK
11.6215.097.000	CHAIN RING MTB 34T 104 SS STEEL MATTE BLACK
11.6215.188.390	CHAIN RING MTB 36T 104 AL4 1X10 BLAST BLACK
11.6215.188.430	CHAIN RING MTB 36T 104 S1 49 CHAINLINE AL5 2X10 LONG PIN BLAST BLACK (36/22)
11.6215.188.410	CHAIN RING MTB 36T 104 S1 49 CHAINLINE AL5 2X10 NO PIN BLAST BLACK (36/22)
11.6215.188.320	CHAIN RING MTB 36T 104 S1 AL3 2X10 BLAST BLACK (SPECIALIZED 36/24)
11.6215.098.000	CHAIN RING MTB 36T 104 SS STEEL MATTE BLACK
11.6215.188.400	CHAIN RING MTB 38T 104 AL4 1X10 BLAST BLACK
11.6215.188.440	CHAIN RING MTB 38T 104 S1 49 CHAINLINE AL5 2X10 LONG PIN BLAST BLACK (38/24)
11.6215.188.420	CHAIN RING MTB 38T 104 S1 49 CHAINLINE AL5 2X10 NO PIN BLAST BLACK (38/24)
11.6215.113.000	CHAIN RING MTB 38T 104 SS ALUMINUM 3MM BLAST BLACK
11.6215.133.000	CHAIN RING MTB 38T 104 SS STEEL MATTE BLACK
11.6215.114.000	CHAIN RING MTB 42T 104 SS ALUMINUM 3MM BLAST BLACK

[More chain rings see next pages](#)





PART NUMBER	DESCRIPTION
11.6215.114.000	CHAIN RING MTB 42T 104 SS ALUMINUM 3MM BLAST BLACK
11.6215.021.010	CHAIN RING MTB 42T 104 SS V1 STEEL BLACK
11.6215.016.000	CHAIN RING MTB 42T 104 V3 STEEL MATTE BLACK
11.6215.186.010	CHAIN RING MTB 44T 104 CAS V4 ALUMINUM 3MM BLAST BLACK
11.6215.186.030	CHAIN RING MTB 44T 104 CAS V4 STEEL MATTE BLACK
11.6215.186.000	CHAIN RING MTB 44T 104 V4 ALUMINUM 3MM BLAST BLACK CNC
11.6215.087.000	CHAIN RING MTB 44T 104 V4 ALUMINUM 4MM HARD BLACK
11.6215.015.000	CHAIN RING MTB 44T 104 V4 STEEL MATTE BLACK
11.6215.017.000	CHAIN RING MTB 48T 104 B V3 STEEL MATTE BLACK (48-36-26)
120 BCD	
11.6215.188.260	CHAIN RING MTB 39T 120 S2 AL6 LONG PIN GXP CNC 2X10 BLACK
11.6215.188.270	CHAIN RING MTB 39T 120 S2 AL6 SHORT PIN BB30 CNC 2X10 BLAST BLACK
11.6215.188.240	CHAIN RING MTB 42T 120 S2 AL6 LONG PIN GXP CNC 2X10 BLAST BLACK
11.6215.188.230	CHAIN RING MTB 42T 120 S2 AL6 SHORT PIN BB30 CNC 2X10 BLAST BLACK
DIRECT MOUNT	
11.6218.018.016	CHAIN RING X-SYNC 28T DIRECT MOUNT 3MM OFFSET BOOST ALUM 11 SPEED
11.6218.018.006	CHAIN RING X-SYNC 26T DIRECT MOUNT 6MM OFFSET ALUM 11 SPEED
11.6218.018.007	CHAIN RING X-SYNC 28T DIRECT MOUNT 6MM OFFSET ALUM 11 SPEED
11.6218.027.010	CHAIN RING X-SYNC STEEL 28T DIRECT MOUNT 3MM OFFSET STEEL 3.5MM BLACK 11 SPEED
11.6218.027.020	CHAIN RING X-SYNC STEEL 30T DIRECT MOUNT 3MM OFFSET STEEL 3.5MM BLACK 11 SPEED
11.6218.027.030	CHAIN RING X-SYNC STEEL 32T DIRECT MOUNT 3MM OFFSET STEEL 3.5MM BLACK 11 SPEED

[More chain rings see next pages](#)



PART NUMBER

DESCRIPTION

94 BCD  
 11.6218.043.000 CHAIN RING X-SYNC 2 30T 94 BCD ALUM EAGLE BLACK LIGHT POWERED EMTB  
 11.6218.043.001 CHAIN RING X-SYNC 2 32T 94 BCD ALUM EAGLE BLACK LIGHT POWERED EMTB

104 BCD  
 11.6218.033.000 CHAIN RING X-SYNC 2 32T 104 BCD CNC ALUMINUM EAGLE BLACK  
 11.6218.033.010 CHAIN RING X-SYNC 2 34T 104 BCD CNC ALUMINUM EAGLE BLACK  
 11.6218.033.020 CHAIN RING X-SYNC 2 36T 104 BCD CNC ALUMINUM EAGLE BLACK  
 11.6218.033.030 CHAIN RING X-SYNC 2 38T 104 BCD CNC ALUMINUM EAGLE BLACK  
 11.6218.045.000 CHAIN RING X-SYNC 2 34T 104 BCD STEEL EAGLE BLACK  
 11.6218.045.001 CHAIN RING X-SYNC 2 38T 104 BCD STEEL EAGLE BLACK  
 11.6218.052.000 CHAIN RING X-SYNC 2 32T 104 BCD ALUMINUM EAGLE BLACK

DIRECT MOUNT

BOOST 3MM OFFSET

11.6218.030.050 CHAIN RING X-SYNC 2 30T DIRECT MOUNT 3MM OFFSET BOOST ALUM EAGLE BLACK  
 11.6218.030.150 CHAIN RING X-SYNC 2 30T DIRECT MOUNT 3MM OFFSET BOOST ALUM EAGLE GOLD  
 11.6218.030.240 CHAIN RING X-SYNC 2 30T EAGLE DIRECT MOUNT 3MM OFFSET BOOST COLD FORGED ALUMINUM BLACK  
 11.6218.046.004 CHAIN RING X-SYNC 2 30T DIRECT MOUNT 3MM OFFSET BOOST EAGLE COLD FORGED LUNAR GREY  
 (FINISH OF GX EAGLE C1 MATCHES CRANK ARMS)  
 11.6218.047.005 CHAIN RING X-SYNC 2 30T DIRECT MOUNT 3MM OFFSET BOOST EAGLE LUNAR/POLAR GREY  
 11.6218.042.005 CHAIN RING X-SYNC 2 30T DIRECT MOUNT 3MM OFFSET BOOST EAGLE POLAR GREY

11.6218.030.060 CHAIN RING X-SYNC 2 32T DIRECT MOUNT 3MM OFFSET BOOST ALUM EAGLE BLACK  
 11.6218.030.160 CHAIN RING X-SYNC 2 32T DIRECT MOUNT 3MM OFFSET BOOST ALUM EAGLE GOLD  
 11.6218.030.260 CHAIN RING X-SYNC 2 32T EAGLE DIRECT MOUNT 3MM OFFSET BOOST COLD FORGED ALUMINUM BLACK  
 11.6218.046.005 CHAIN RING X-SYNC 2 32T DIRECT MOUNT 3MM OFFSET BOOST EAGLE COLD FORGED LUNAR GREY  
 (FINISH OF GX EAGLE C1 MATCHES CRANK ARMS)  
 11.6218.047.006 CHAIN RING X-SYNC 2 32T DIRECT MOUNT 3MM OFFSET BOOST EAGLE LUNAR/POLAR GREY  
 11.6218.042.006 CHAIN RING X-SYNC 2 32T DIRECT MOUNT 3MM OFFSET BOOST EAGLE POLAR GREY

11.6218.030.070 CHAIN RING X-SYNC 2 34T DIRECT MOUNT 3MM OFFSET BOOST ALUM EAGLE BLACK  
 11.6218.030.170 CHAIN RING X-SYNC 2 34T DIRECT MOUNT 3MM OFFSET BOOST ALUM EAGLE GOLD  
 11.6218.030.280 CHAIN RING X-SYNC 2 34T EAGLE DIRECT MOUNT 3MM OFFSET BOOST COLD FORGED ALUMINUM BLACK  
 11.6218.046.006 CHAIN RING X-SYNC 2 34T DIRECT MOUNT 3MM OFFSET BOOST EAGLE COLD FORGED LUNAR GREY  
 (FINISH OF GX EAGLE C1 MATCHES CRANK ARMS)  
 11.6218.047.007 CHAIN RING X-SYNC 2 34T DIRECT MOUNT 3MM OFFSET BOOST EAGLE LUNAR/POLAR GREY  
 11.6218.042.007 CHAIN RING X-SYNC 2 34T DIRECT MOUNT 3MM OFFSET BOOST EAGLE POLAR GREY

11.6218.030.080 CHAIN RING X-SYNC 2 36T DIRECT MOUNT 3MM OFFSET BOOST ALUM EAGLE BLACK  
 11.6218.030.180 CHAIN RING X-SYNC 2 36T DIRECT MOUNT 3MM OFFSET BOOST ALUM EAGLE GOLD  
 11.6218.047.008 CHAIN RING X-SYNC 2 36T DIRECT MOUNT 3MM OFFSET BOOST EAGLE LUNAR/POLAR GREY  
 11.6218.042.008 CHAIN RING X-SYNC 2 36T DIRECT MOUNT 3MM OFFSET BOOST EAGLE POLAR GREY

11.6218.030.090 CHAIN RING X-SYNC 2 38T DIRECT MOUNT 3MM OFFSET BOOST ALUM EAGLE BLACK  
 11.6218.030.190 CHAIN RING X-SYNC 2 38T DIRECT MOUNT 3MM OFFSET BOOST ALUM EAGLE GOLD  
 11.6218.042.009 CHAIN RING X-SYNC 2 38T DIRECT MOUNT 3MM OFFSET BOOST EAGLE POLAR GREY

11.6218.038.000 CHAIN RING X-SYNC 2 OVAL 32T DIRECT MOUNT 3MM OFFSET BOOST ALUM EAGLE BLACK  
 11.6218.038.020 CHAIN RING X-SYNC 2 OVAL 34T DIRECT MOUNT 3MM OFFSET BOOST ALUM EAGLE BLACK  
 11.6218.038.040 CHAIN RING X-SYNC 2 OVAL 36T DIRECT MOUNT 3MM OFFSET BOOST ALUM EAGLE BLACK

11.6218.040.001 CHAIN RING X-SYNC 2 SL 32T DIRECT MOUNT 3MM OFFSET BOOST EAGLE BLACK  
 11.6218.040.000 CHAIN RING X-SYNC 2 SL 32T DIRECT MOUNT 3MM OFFSET BOOST EAGLE GOLD  
 11.6218.040.003 CHAIN RING X-SYNC 2 SL 34T DIRECT MOUNT 3MM OFFSET BOOST EAGLE BLACK  
 11.6218.040.002 CHAIN RING X-SYNC 2 SL 34T DIRECT MOUNT 3MM OFFSET BOOST EAGLE GOLD  
 11.6218.040.007 CHAIN RING X-SYNC 2 SL 36T DIRECT MOUNT 3MM OFFSET BOOST EAGLE BLACK  
 11.6218.042.015 CHAIN RING X-SYNC 2 30T DIRECT MOUNT 3MM OFFSET BOOST EAGLE LUNAR GREY  
 11.6218.042.016 CHAIN RING X-SYNC 2 SL 32T DIRECT MOUNT 3MM OFFSET BOOST EAGLE LUNAR GREY  
 11.6218.042.017 CHAIN RING X-SYNC 2 SL 34T DIRECT MOUNT 3MM OFFSET BOOST EAGLE LUNAR GREY  
 11.6218.042.018 CHAIN RING X-SYNC 2 SL 36T DIRECT MOUNT 3MM OFFSET BOOST EAGLE LUNAR GREY

11.6218.041.003 CHAIN RING X-SYNC 2 STEEL 30T DIRECT MOUNT 3MM OFFSET BOOST EAGLE BLACK  
 11.6218.041.004 CHAIN RING X-SYNC 2 STEEL 32T DIRECT MOUNT 3MM OFFSET BOOST EAGLE BLACK  
 11.6218.041.005 CHAIN RING X-SYNC 2 STEEL 34T DIRECT MOUNT 3MM OFFSET BOOST EAGLE BLACK



PART NUMBER DESCRIPTION

FAT BIKE -4MM OFFSET

- 11.6218.030.200 CHAIN RING X-SYNC 2 30T DIRECT MOUNT -4MM OFFSET ALUM EAGLE BLACK
- 11.6218.046.000 CHAIN RING X-SYNC 2 30T DIRECT MOUNT -4MM OFFSET EAGLE COLD FORGED LUNAR GREY (FINISH OF GX EAGLE C1 CHAIN RING MATCHES CRANK ARMS)
- 11.6218.047.000 CHAIN RING X-SYNC 2 30T DIRECT MOUNT -4MM OFFSET EAGLE LUNAR/POLAR GREY

NON-BOOST 6MM OFFSET

- 11.6218.030.000 CHAIN RING X-SYNC 2 30T DIRECT MOUNT 6MM OFFSET ALUM EAGLE BLACK
- 11.6218.030.100 CHAIN RING X-SYNC 2 30T DIRECT MOUNT 6MM OFFSET ALUM EAGLE GOLD
- 11.6218.030.250 CHAIN RING X-SYNC 2 30T EAGLE DIRECT MOUNT 6MM OFFSET COLD FORGED ALUMINUM BLACK
- 11.6218.046.001 CHAIN RING X-SYNC 2 30T DIRECT MOUNT 6MM OFFSET EAGLE COLD FORGED LUNAR GREY (FINISH OF GX EAGLE C1 MATCHES CRANK ARMS)
- 11.6218.047.001 CHAIN RING X-SYNC 2 30T DIRECT MOUNT 6MM OFFSET EAGLE LUNAR/POLAR GREY
- 11.6218.042.000 CHAIN RING X-SYNC 2 30T DIRECT MOUNT 6MM OFFSET EAGLE POLAR GREY
- 11.6218.030.010 CHAIN RING X-SYNC 2 32T DIRECT MOUNT 6MM OFFSET ALUM EAGLE BLACK
- 11.6218.030.110 CHAIN RING X-SYNC 2 32T DIRECT MOUNT 6MM OFFSET ALUM EAGLE GOLD
- 11.6218.030.270 CHAIN RING X-SYNC 2 32T EAGLE DIRECT MOUNT 6MM OFFSET COLD FORGED ALUMINUM BLACK
- 11.6218.046.002 CHAIN RING X-SYNC 2 32T DIRECT MOUNT 6MM OFFSET EAGLE COLD FORGED LUNAR GREY (FINISH OF GX EAGLE C1 MATCHES CRANK ARMS)
- 11.6218.047.002 CHAIN RING X-SYNC 2 32T DIRECT MOUNT 6MM OFFSET EAGLE LUNAR/POLAR GREY
- 11.6218.042.001 CHAIN RING X-SYNC 2 32T DIRECT MOUNT 6MM OFFSET EAGLE POLAR GREY
- 11.6218.030.020 CHAIN RING X-SYNC 2 34T DIRECT MOUNT 6MM OFFSET ALUM EAGLE BLACK
- 11.6218.030.120 CHAIN RING X-SYNC 2 34T DIRECT MOUNT 6MM OFFSET ALUM EAGLE GOLD
- 11.6218.030.290 CHAIN RING X-SYNC 2 34T EAGLE DIRECT MOUNT 6MM OFFSET COLD FORGED ALUMINUM BLACK
- 11.6218.046.003 CHAIN RING X-SYNC 2 34T DIRECT MOUNT 6MM OFFSET EAGLE COLD FORGED LUNAR GREY (FINISH OF GX EAGLE C1 MATCHES CRANK ARMS)
- 11.6218.047.003 CHAIN RING X-SYNC 2 34T DIRECT MOUNT 6MM OFFSET EAGLE LUNAR/POLAR GREY
- 11.6218.042.002 CHAIN RING X-SYNC 2 34T DIRECT MOUNT 6MM OFFSET EAGLE POLAR GREY
- 11.6218.030.030 CHAIN RING X-SYNC 2 36T DIRECT MOUNT 6MM OFFSET ALUM EAGLE BLACK
- 11.6218.030.130 CHAIN RING X-SYNC 2 36T DIRECT MOUNT 6MM OFFSET ALUM EAGLE GOLD
- 11.6218.047.004 CHAIN RING X-SYNC 2 36T DIRECT MOUNT 6MM OFFSET EAGLE LUNAR/POLAR GREY
- 11.6218.042.003 CHAIN RING X-SYNC 2 36T DIRECT MOUNT 6MM OFFSET EAGLE POLAR GREY
- 11.6218.030.040 CHAIN RING X-SYNC 2 38T DIRECT MOUNT 6MM OFFSET ALUM EAGLE BLACK
  
- 11.6218.038.010 CHAIN RING X-SYNC 2 OVAL 32T DIRECT MOUNT 6MM OFFSET ALUM EAGLE BLACK
- 11.6218.038.030 CHAIN RING X-SYNC 2 OVAL 34T DIRECT MOUNT 6MM OFFSET ALUM EAGLE BLACK
  
- 11.6218.040.005 CHAIN RING X-SYNC 2 SL 34T DIRECT MOUNT 6MM OFFSET EAGLE BLACK
- 11.6218.040.009 CHAIN RING X-SYNC 2 SL 36T DIRECT MOUNT 6MM OFFSET EAGLE BLACK
  
- 11.6218.042.010 CHAIN RING X-SYNC 2 30T DIRECT MOUNT 6MM OFFSET EAGLE LUNAR GREY
- 11.6218.042.011 CHAIN RING X-SYNC 2 32T DIRECT MOUNT 6MM OFFSET EAGLE LUNAR GREY
- 11.6218.042.012 CHAIN RING X-SYNC 2 SL 34T DIRECT MOUNT 6MM OFFSET EAGLE LUNAR GREY
- 11.6218.042.013 CHAIN RING X-SYNC 2 SL 36T DIRECT MOUNT 6MM OFFSET EAGLE LUNAR GREY
- 11.6218.042.014 CHAIN RING X-SYNC 2 SL 38T DIRECT MOUNT 6MM OFFSET EAGLE LUNAR GREY
  
- 11.6218.041.000 CHAIN RING X-SYNC 2 STEEL 30T DIRECT MOUNT 6MM OFFSET EAGLE BLACK
- 11.6218.041.001 CHAIN RING X-SYNC 2 STEEL 32T DIRECT MOUNT 6MM OFFSET EAGLE BLACK
- 11.6218.041.002 CHAIN RING X-SYNC 2 STEEL 34T DIRECT MOUNT 6MM OFFSET EAGLE BLACK

BOSCH

- 00.6218.013.000 CHAIN RING X-SYNC 2 16T EAGLE BOSCH DIRECT MOUNT BLACK
- 00.6218.013.001 CHAIN RING X-SYNC 2 34T STEEL EAGLE BOSCH GEN4 DIRECT MOUNT BLACK B148
- 00.6218.013.002 CHAIN RING X-SYNC 2 38T STEEL EAGLE BOSCH GEN4 DIRECT MOUNT BLACK B148
- 00.6218.013.003 CHAIN RING X-SYNC 2 36T STEEL EAGLE BOSCH GEN4 DIRECT MOUNT BLACK B148
- 00.6218.013.004 CHAIN RING X-SYNC 2 38T STEEL EAGLE BOSCH GEN4 DIRECT MOUNT BLACK (NON BOOST)



PART NUMBER

DESCRIPTION

3MM OFFSET

11.6218.071.000 CR T-TYPE EAGLE 30T DM 3MM ST BLK S1000  
 11.6218.071.001 CR T-TYPE EAGLE 32T DM 3MM ST BLK S1000  
 11.6218.071.002 CR T-TYPE EAGLE 34T DM 3MM ST BLK S1000  
 11.6218.071.003 CR T-TYPE EAGLE 30T DM 3MM AL BLK S1000  
 11.6218.071.004 CR T-TYPE EAGLE 32T DM 3MM AL BLK S1000  
 11.6218.071.005 CR T-TYPE EAGLE 34T DM 3MM AL BLK S1000

11.6218.054.003 CHAIN RING T-TYPE 30T DIRECT MOUNT 3MM OFFSET EAGLE (INCLUDING 8 BOLTS) BLACK - X0 D1  
 11.6218.054.004 CHAIN RING T-TYPE 32T DIRECT MOUNT 3MM OFFSET EAGLE (INCLUDING 8 BOLTS) BLACK - X0 D1  
 11.6218.054.005 CHAIN RING T-TYPE 34T DIRECT MOUNT 3MM OFFSET EAGLE (INCLUDING 8 BOLTS) BLACK - X0 D1  
 11.6218.054.006 CHAIN RING T-TYPE 30T DIRECT MOUNT 3MM OFFSET EAGLE (INCLUDING 8 BOLTS) BLACK - XX D1  
 11.6218.054.007 CHAIN RING T-TYPE 32T DIRECT MOUNT 3MM OFFSET EAGLE (INCLUDING 8 BOLTS) BLACK - XX D1  
 11.6218.054.008 CHAIN RING T-TYPE 34T DIRECT MOUNT 3MM OFFSET EAGLE (INCLUDING 8 BOLTS) BLACK - XX D1  
 11.6218.054.009 CHAIN RING T-TYPE 36T DIRECT MOUNT 3MM OFFSET EAGLE (INCLUDING 8 BOLTS) BLACK - XX D1

11.6218.054.014 CHAIN RING T-TYPE 32T DIRECT MOUNT 3MM OFFSET EAGLE (INCLUDING 8 BOLTS) BLACK - XXSL D1  
 11.6218.054.015 CHAIN RING T-TYPE 34T DIRECT MOUNT 3MM OFFSET EAGLE (INCLUDING 8 BOLTS) BLACK - XXSL D1  
 11.6218.054.016 CHAIN RING T-TYPE 36T DIRECT MOUNT 3MM OFFSET EAGLE (INCLUDING 8 BOLTS) BLACK - XXSL D1  
 11.6218.054.017 CHAIN RING T-TYPE 38T DIRECT MOUNT 3MM OFFSET EAGLE (INCLUDING 8 BOLTS) BLACK - XXSL D1

11.6218.055.004 CHAIN RING T-TYPE 32T POWERMETER THREADED 3MM OFFSET EAGLE (INCLUDING PIN THREAD BACKUP AND SCREW) - BLACK/SILVER XXSL D1  
 11.6218.055.005 CHAIN RING T-TYPE 34T POWERMETER THREADED 3MM OFFSET EAGLE (INCLUDING PIN THREAD BACKUP AND SCREW) - BLACK/SILVER XXSL D1  
 11.6218.055.006 CHAIN RING T-TYPE 36T POWERMETER THREADED 3MM OFFSET EAGLE (INCLUDING PIN THREAD BACKUP AND SCREW) - BLACK/SILVER XXSL D1  
 11.6218.055.007 CHAIN RING T-TYPE 38T POWERMETER THREADED 3MM OFFSET EAGLE (INCLUDING PIN THREAD BACKUP AND SCREW) - BLACK/SILVER XXSL D1

0MM OFFSET

11.6218.054.010 CHAIN RING T-TYPE 32T DIRECT MOUNT 0MM OFFSET EAGLE (INCLUDING 8 BOLTS) BLACK - XXSL D1  
 11.6218.054.011 CHAIN RING T-TYPE 34T DIRECT MOUNT 0MM OFFSET EAGLE (INCLUDING 8 BOLTS) BLACK - XXSL D1  
 11.6218.054.012 CHAIN RING T-TYPE 36T DIRECT MOUNT 0MM OFFSET EAGLE (INCLUDING 8 BOLTS) BLACK - XXSL D1  
 11.6218.054.013 CHAIN RING T-TYPE 38T DIRECT MOUNT 0MM OFFSET EAGLE (INCLUDING 8 BOLTS) BLACK - XXSL D1

11.6218.055.000 CHAIN RING T-TYPE 32T POWERMETER THREADED 0MM OFFSET EAGLE (INCLUDING PIN THREAD BACKUP AND SCREW) - BLACK/SILVER XXSL D1  
 11.6218.055.001 CHAIN RING T-TYPE 34T POWERMETER THREADED 0MM OFFSET EAGLE (INCLUDING PIN THREAD BACKUP AND SCREW) - BLACK/SILVER XXSL D1  
 11.6218.055.002 CHAIN RING T-TYPE 36T POWERMETER THREADED 0MM OFFSET EAGLE (INCLUDING PIN THREAD BACKUP AND SCREW) - BLACK/SILVER XXSL D1  
 11.6218.055.003 CHAIN RING T-TYPE 38T POWERMETER THREADED 0MM OFFSET EAGLE (INCLUDING PIN THREAD BACKUP AND SCREW) - BLACK/SILVER XXSL D1

104 BCD

11.6218.057.000 CHAIN RING T-TYPE 34T 104 BCD STEEL BLACK  
 11.6218.057.001 CHAIN RING T-TYPE 36T 104 BCD STEEL BLACK  
 11.6218.057.002 CHAIN RING T-TYPE 38T 104 BCD STEEL BLACK



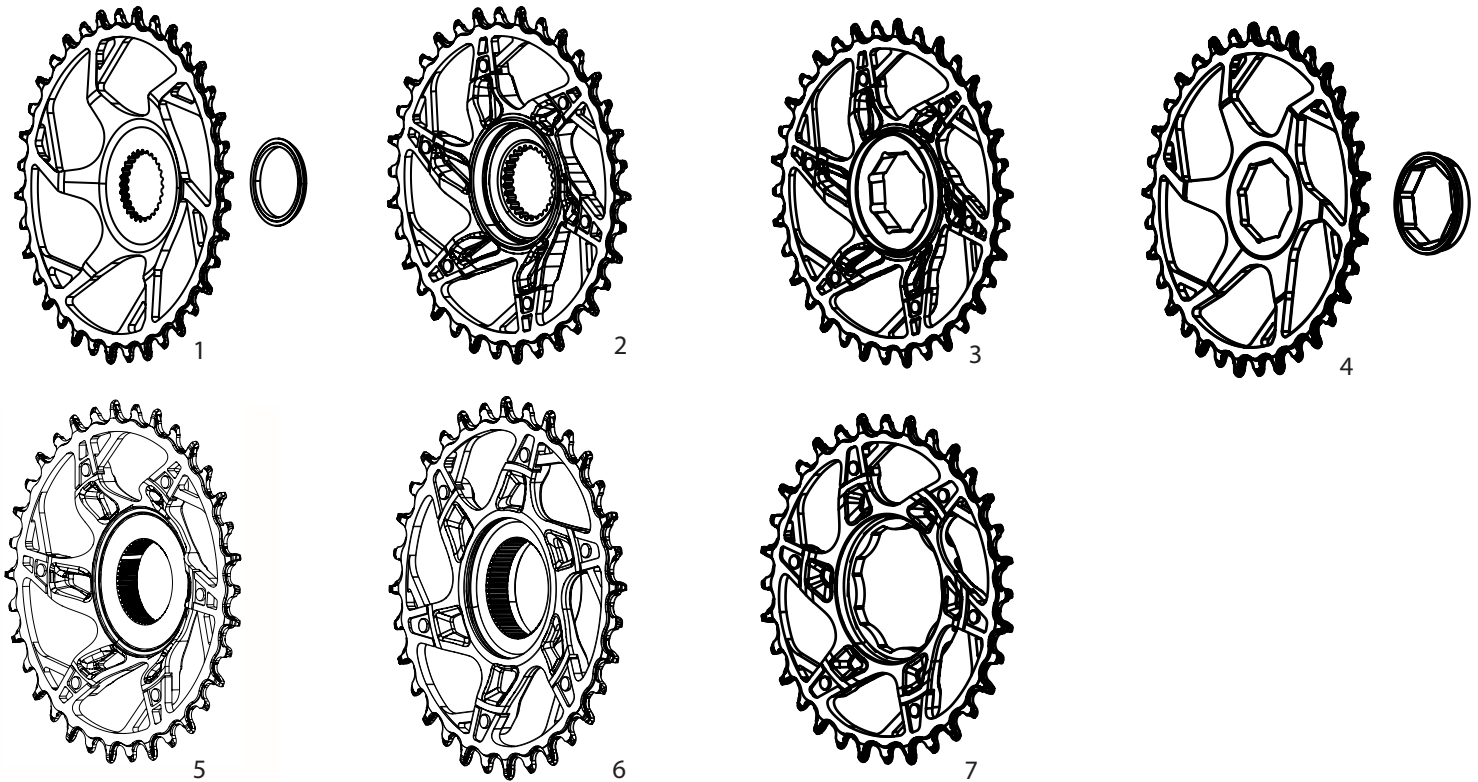
# CHAIN RINGS T-TYPE - EAGLE



**PART NUMBER**      **DESCRIPTION**  
94 BCD  
 11.6218.065.000    CHAIN RING T-TYPE 32T 94 BCD ALUM EAGLE BLACK LIGHT POWERED EMTB

104 BCD  
 11.6218.057.000    CHAIN RING T-TYPE 34T 104 BCD STEEL BLACK (INCLUDING BLACK BOLTS AND NUTS)  
 11.6218.057.001    CHAIN RING T-TYPE 36T 104 BCD STEEL BLACK (INCLUDING BLACK BOLTS AND NUTS)  
 11.6218.057.002    CHAIN RING T-TYPE 38T 104 BCD STEEL BLACK (INCLUDING BLACK BOLTS AND NUTS)  
 11.6218.066.000    CHAIN RING T-TYPE 32T 104 BCD ALUMINUM LIGHT POWERED EMTB BLACK

## DIRECT MOUNT

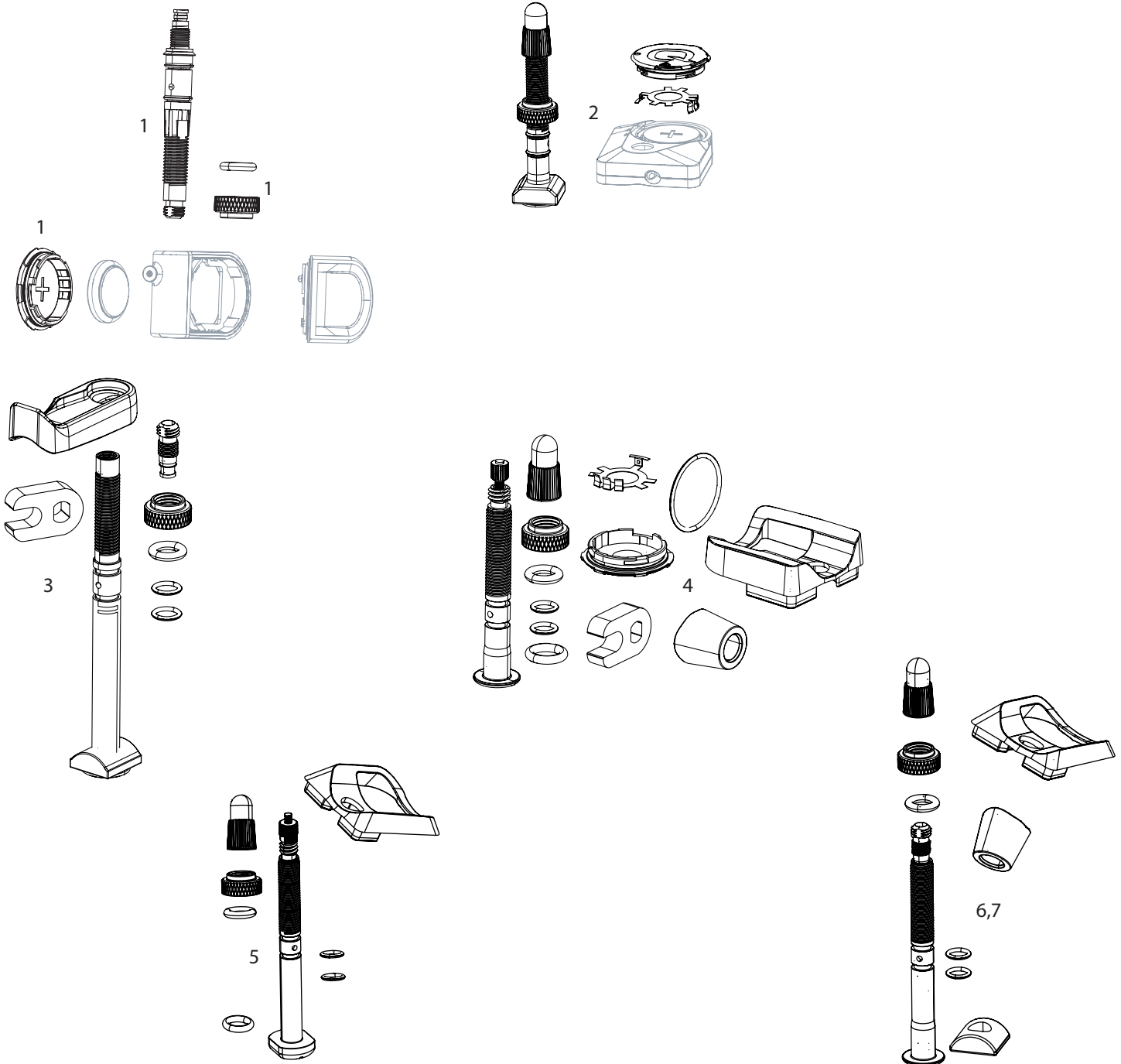


1	11.6218.058.000	CHAIN RING T-TYPE 36T CL55 BOSCH GENERATION 4 DIRECT MOUNT (INCLUDING SPACER)
	11.6218.058.001	CHAIN RING T-TYPE 38T CL55 BOSCH GENERATION 4 DIRECT MOUNT (INCLUDING SPACER)
2	11.6218.059.000	CHAIN RING XX T-TYPE 34T BOSCH GENERATION 4 - STEEL - DIRECT MOUNT
	11.6218.059.001	CHAIN RING XX T-TYPE 36T BOSCH GENERATION 4 - STEEL - DIRECT MOUNT
	11.6218.059.002	CHAIN RING XX T-TYPE 32T BOSCH GENERATION 4 - STEEL - DIRECT MOUNT
3	11.6218.060.000	CHAIN RING XX T-TYPE 34T BROSE DIRECT MOUNT
	11.6218.060.001	CHAIN RING XX T-TYPE 36T BROSE DIRECT MOUNT
4	11.6218.067.000	Chain Ring T-TYPE 34T CL55 Brose Direct Mount (INCLUDING SPACER)
	11.6218.067.001	Chain Ring T-TYPE 36T CL55 Brose Direct Mount (INCLUDING SPACER)
5	11.6218.061.000	CHAIN RING XX T-TYPE 34T SHIMANO STEPS DIRECT MOUNT
	11.6218.061.001	CHAIN RING XX T-TYPE 36T SHIMANO STEPS DIRECT MOUNT
6	11.6218.063.000	CHAIN RING XX FAZUA DIRECT MOUNT 32T T-TYPE
	11.6218.063.001	CHAIN RING XX FAZUA DIRECT MOUNT 34T T-TYPE
7	11.6218.064.000	CHAIN RING XX TQ DIRECT MOUNT 32T T-TYPE
	11.6218.064.001	CHAIN RING XX TQ DIRECT MOUNT 34T T-TYPE

# QUARQ - TYREWIZ

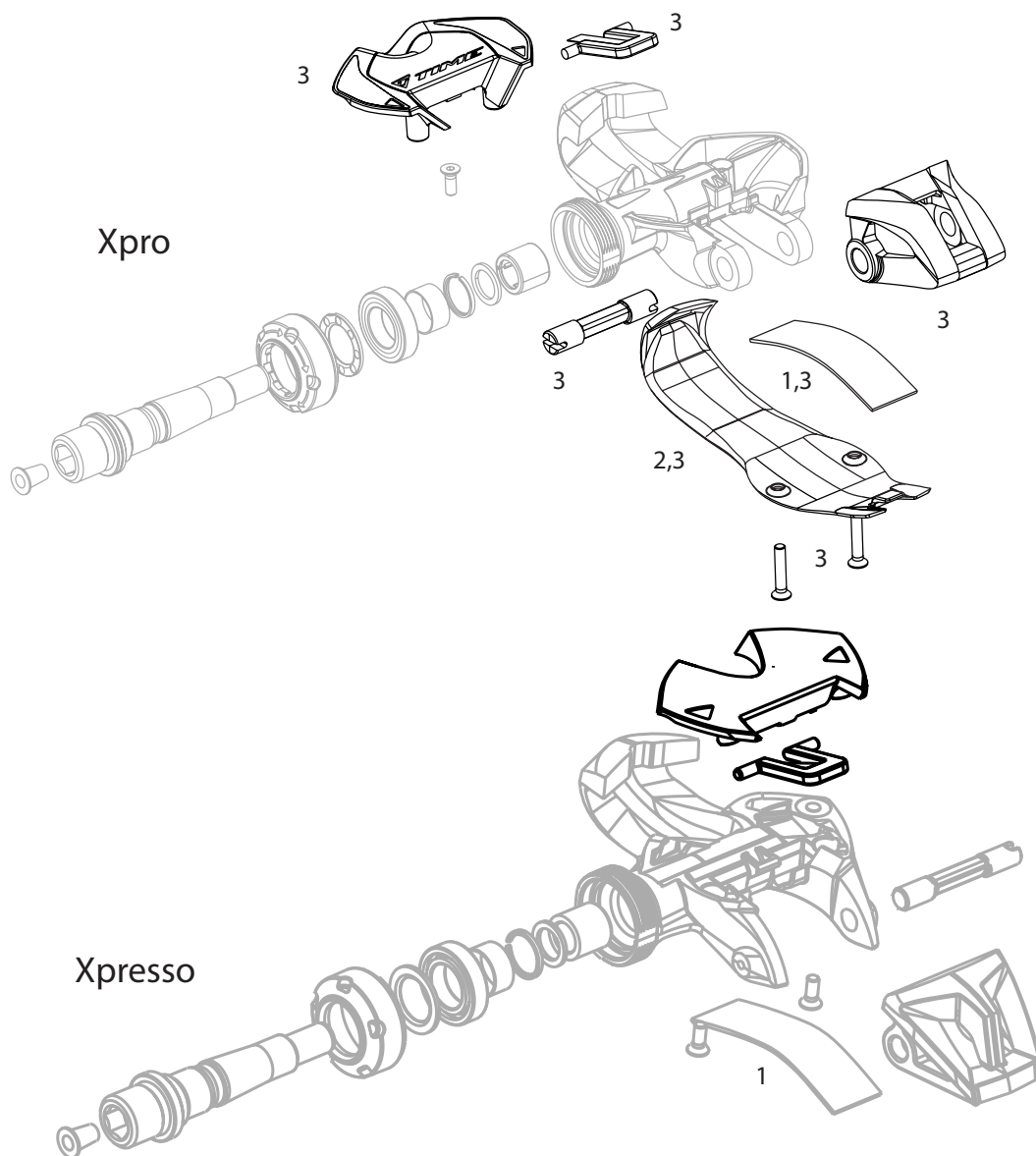
WH-TRWZ-A1 / WH-TRWZ-B1

THE ZIPP TYR5IZ 2.0 IS LISTED IN THE ZIPP SPARE PARTS CATALOG



No.	PART NUMBER	DESCRIPTION
1	11.3018.009.001	TYREWIZ BATTERY HATCH AND VALVE (INCLUDING VALVE WRENCH) QTY 1
2	11.3018.011.001	TYREWIZ FOR MOTO BATTERY HATCH AND VALVE (INCLUDING VALVE WRENCH) QTY 1
3	11.3018.011.002	TYREWIZ TL VALVE AND SKIRT KIT FOR ZIPP 303 FIRECREST DISC (2 TUBELESS VALVES WITH 2 RIM SKIRTS AND VALVE CORE REMOVAL TOOL) QTY2
4	11.3018.011.003	TYREWIZ TL VALVE AND SKIRT KIT FOR 101XPLR (2 TUBELESS VALVES, BATTERY HATCH AND VALVE WITH 2 RIM SKIRTS AND VALVE CORE REMOVAL TOOL) QTY2
5	11.3018.013.000	TYREWIZ VALVE AND BUMPER LINE BONTRAGER PRO/ELITE 30
6	11.3018.014.000	TYREWIZ VALVE AND BUMPER SYNCROS SILVERTON SL2 21MM RIM ASYM
7	11.3018.014.001	TYREWIZ VALVE AND BUMPER SYNCROS SILVERTON 1.0 17MM RIM SYM
ns	11.3018.014.002	TYREWIZ VALVE AND BUMPER SYNCROS 12MM RIM SYM

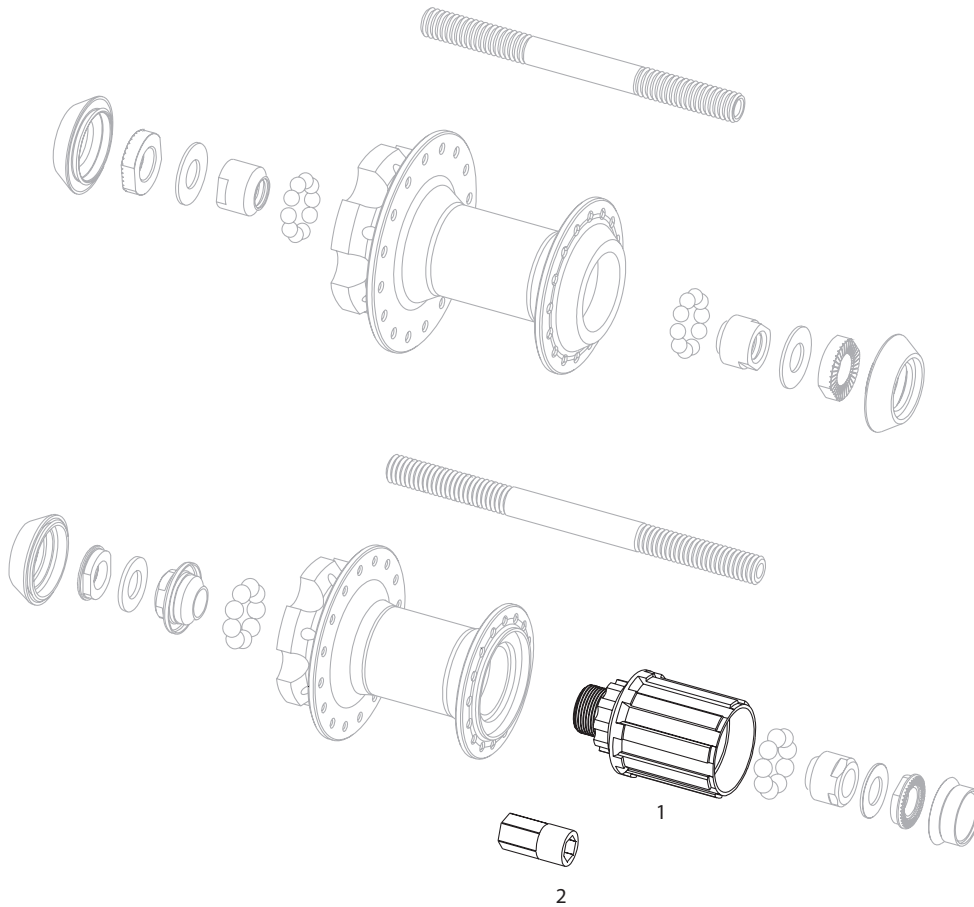
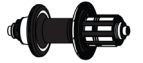
SYNCROS® is a registered trademark of Scott Sports SA  
Bontrager® is a registered trademark of Trek Bicycle Corporation



No.	PART NUMBER	DESCRIPTION
1	11.6718.004.000	PD CARBON BLADE KIT XPROXPRESSO BLK QTY4
2	11.6718.004.001	PD BOTTOM COVER KIT XPRO BLK QTY2
3	11.6718.005.000	PD REBUILD KIT XPRO B1 (L+R)
ns	11.6718.005.001	PD GRIP BOLTS/PINS SPECIALE 10/12 B1

406 / 506 - MTB HUB

HU-MTH-400-A1 / HU-MTH-500-A1

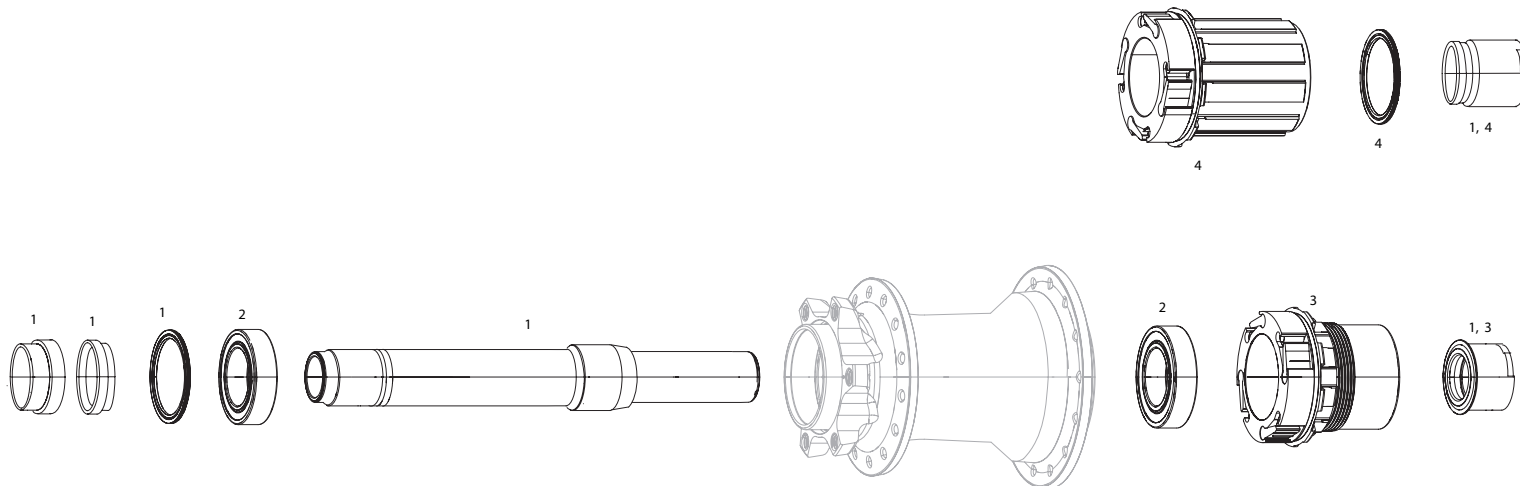


No.	PART NUMBER	DESCRIPTION
1	11.2015.018.100	WHEEL FREEHUB KIT - MTH 406
1	11.2015.023.100	WHEEL FREEHUB KIT - MTH 506
2	14.2015.000.000	SRAM MTB HUB FH BODY REMOVAL TOOL (11MM ADAPTER)



# 716/746 - MTB HUB

HU-MTH-700-A1

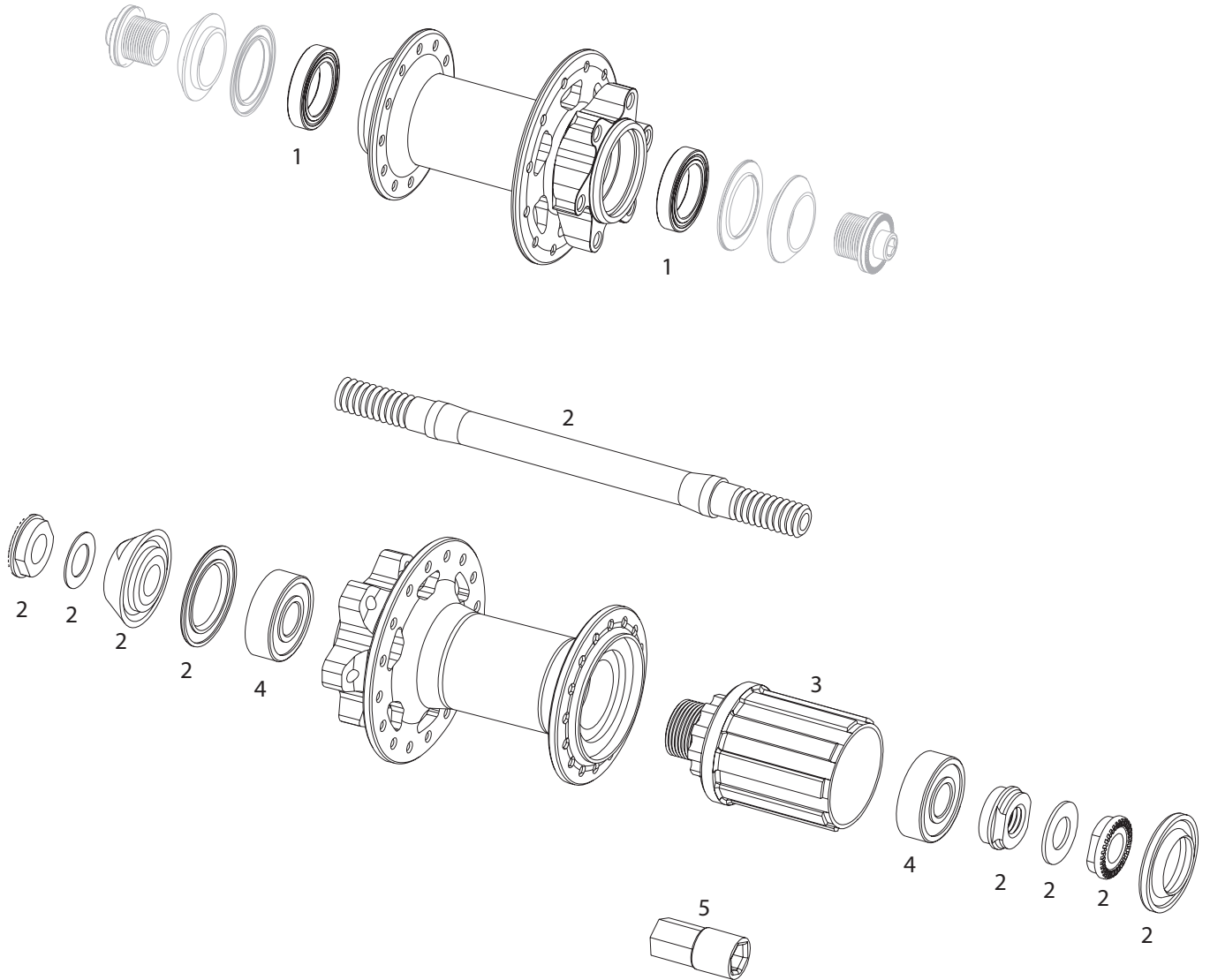
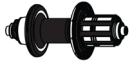


**NOTES:**

716 hubs use 18307 bearings

No.	PART NUMBER	DESCRIPTION
1	11.2018.026.000	WHEEL AXLE - REAR (INCLUDES AXLE, THREADED LOCK NUTS & END CAPS) - MTH-746 XD
1	11.2018.027.000	WHEEL AXLE - REAR (INCLUDES AXLE, THREADED LOCK NUTS & END CAPS) - MTH-746 CASSETTE
1	11.2018.028.000	WHEEL AXLE - REAR (INCLUDES AXLE, THREADED LOCK NUTS & END CAPS) - MTH-746 BOOST™ COMPATIBLE XD
1	11.2018.029.000	WHEEL AXLE - REAR (INCLUDES AXLE, THREADED LOCK NUTS & END CAPS) - MTH-746 BOOST™ COMPATIBLE CASSETTE
2	11.2018.026.002	WHEEL HUB BEARINGS - REAR 2-6903/61903 - MTH-746
3	11.2018.026.001	WHEEL FREEHUB KIT - XD DRIVER BODY 11 SPEED - MTH-746
4	11.2018.027.001	WHEEL FREEHUB KIT - CASSETTE BODY 9/10 SPEED - MTH-746
ns	00.1918.145.008	CONVERSION CAPS HUB MTH 716 FRONT - 15 THROUGH AXLE

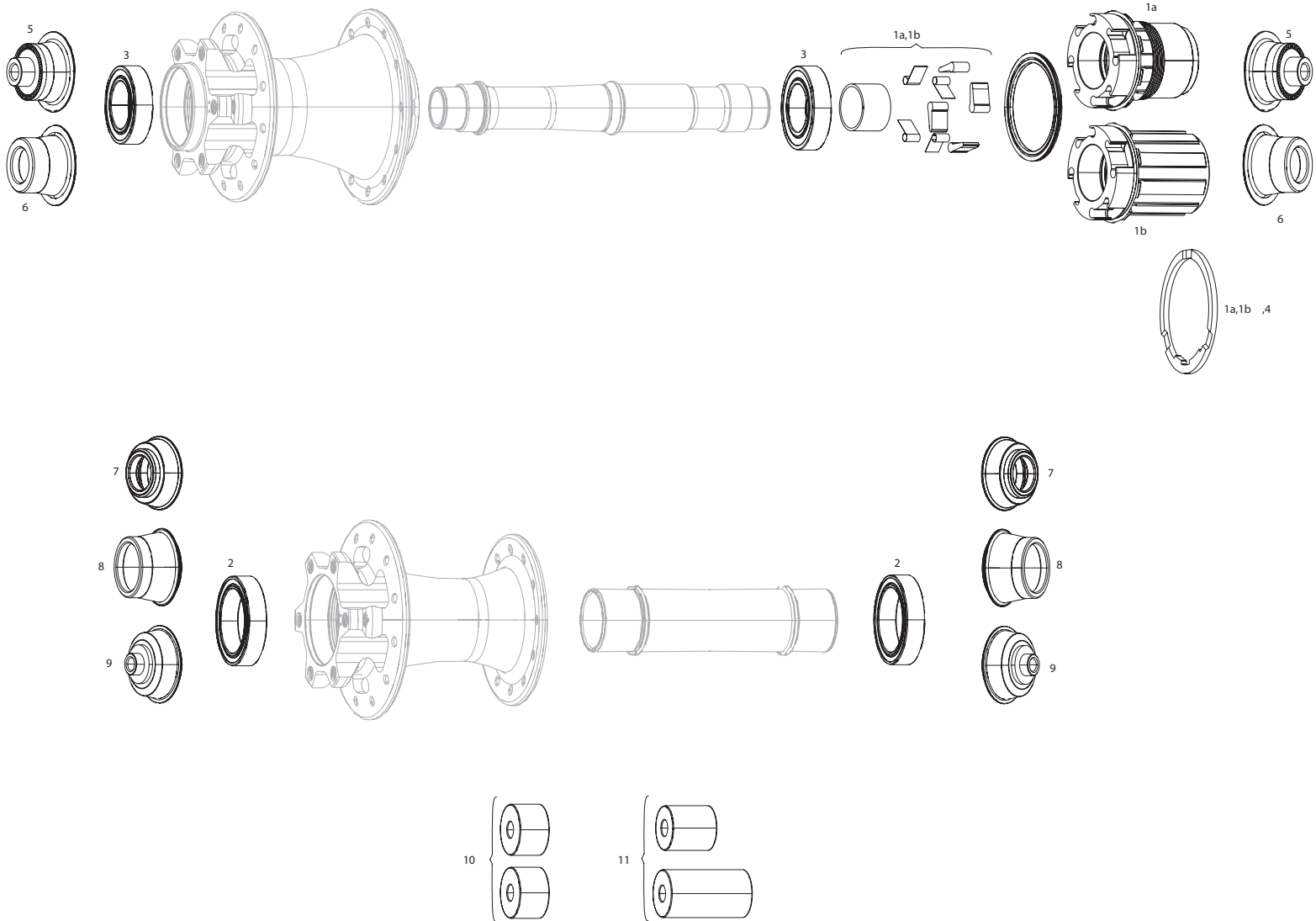
**X9 - MTB HUB**  
HU-X9-A1



NO.	PART NUMBER	DESCRIPTION
1	11.2015.026.100	WHEEL HUB BEARINGS - FRONT 15X100, 2-6804 - X-9/RISE 40
2	11.2015.019.000	WHEEL AXLE - REAR - X-9 V2
2	11.2015.030.000	WHEEL AXLE - REAR 12X142 - X-9/RISE 40
3	11.2015.019.200	WHEEL FREEHUB KIT - X-9 V2
3	11.2015.028.100	WHEEL FREEHUB KIT - X-9/X-7/RISE 40,
3	11.2015.029.100	WHEEL FREEHUB KIT - X-9/RISE 40 12X135/142
4	11.2015.019.100	WHEEL HUB BEARINGS - REAR, 1-6803/61803, 1-6000 - X-9 V2
4	11.2015.028.200	WHEEL HUB BEARINGS - REAR, 2-6000 - X-9/RISE 40
4	11.2015.029.200	WHEEL HUB BEARINGS - REAR 12X135/142, 2-6903/61903 - X-9
5	14.2015.000.000	SRAM MTB HUB FH BODY REMOVAL TOOL (11MM ADAPTER)

# 900 - MTB HUB (2017-2018)

HU-900-A1



## NOTES:

1. 900 hubs use Double Time internals.
2. 900 Hubs use XD-R Driver which requires a 1.85 cassette spacer to install XD 10-42T Cassette.
3. See Maxle page for complete list of Maxle options

NO.	PART NUMBER	DESCRIPTION
1a	11.1918.000.013	WHEEL FREEHUB KIT - (INCLUDES BEARINGS & PAWLS) DOUBLE TIME 11/12 SPEED XD-R (28.6MMLONG DRIVER) - 900
1b	11.1918.000.014	WHEEL FREEHUB KIT - (INCLUDES BEARINGS & PAWLS) DOUBLE TIME 9/10/11 SPEED DOUBLE TIME - 900
2	11.1918.003.030	WHEEL HUB BEARINGS - FRONT DOUBLE TIME (INCLUDES 2-23327) - X0 HUBS/RISE 60 (B1)/ROAM 30/ROAM 40/ROAM 50/60(B1)/RAIL 40
3	11.1918.003.040	WHEEL HUB BEARINGS - REAR DOUBLE TIME (INCLUDES 1-6903/61903 & 1-63803D28) - X0 HUBS/RISE 60 (B1)/ROAM 30/ROAM 40/ROAM 50/60 (B1)/RAIL 40
ns	11.1918.003.050	WHEEL HUB BEARINGS - FREEHUB DOUBLE TIME (INCLUDES 2-63803D28) -X0 HUBS/RISE60 (B1)/ROAM 30/ROAM 40/ROAM 50/60 (B1)/RAIL 40
4	11.1918.008.000	WHEEL CASSETTE SPACER 10 SPEED 188 SRAM FREEHUB 11 SPEED - ZIPP 188/177/ SRAM 900 HUB

CONTINUED ON NEXT PAGE

# 900 - MTB HUB (2017-2018)

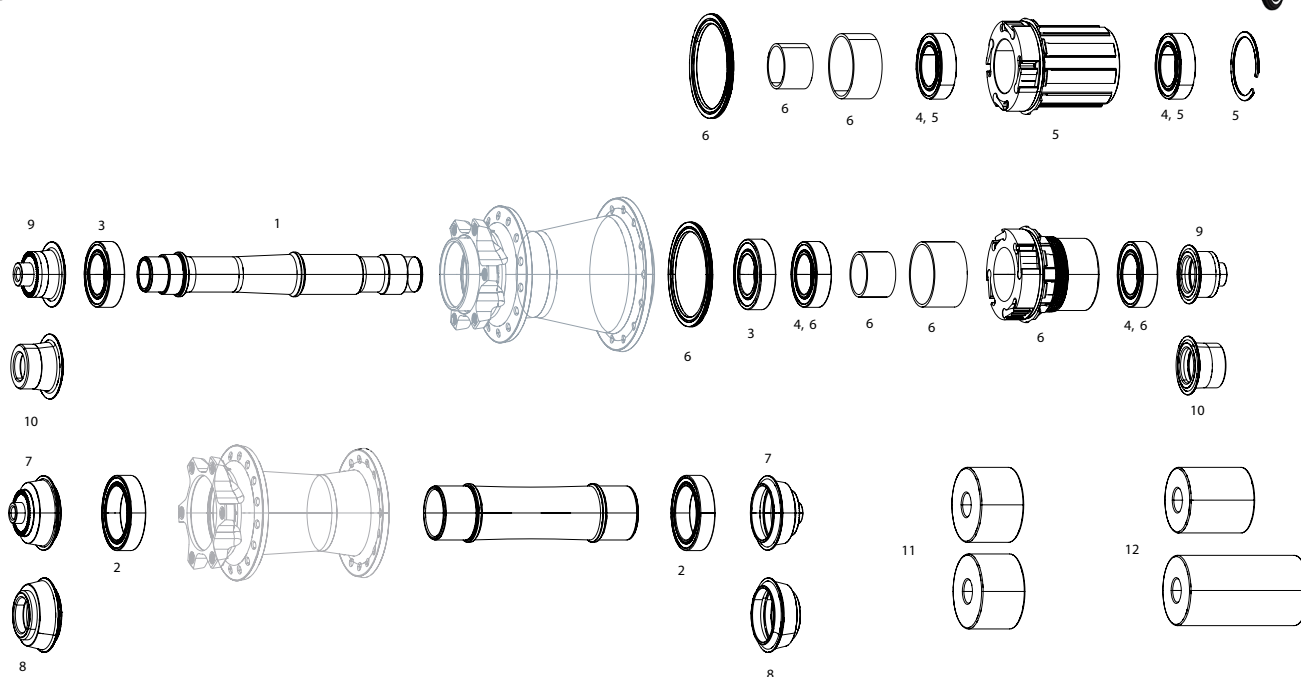
HU-900-A1



CONVERSION CAPS		
NO.	PART NUMBER	DESCRIPTION
5	00.1918.145.004	CONVERSION CAPS HUB DOUBLE TIME REAR, 10X135 QR, FITS 9/10 SPEED DRIVER BODY - X0HUBS/900HUBS/RISE60 (B1)/ROAM30/ROAM40/ROAM50/60(B1)/RAIL40/RISEXX
5	00.1918.145.006	CONVERSION CAPS HUB DOUBLE TIME REAR, 10X135 QR, FITS XD/XDR DRIVER BODIES - X0HUBS/900HUBS/RISE60 (B1)/ROAM30/ROAM40/ROAM50/60(B1)/RAIL40/RISEXX
6	00.1918.145.007	CONVERSION CAPS HUB DOUBLE TIME REAR, 12X142/12X157 X0 DH/12X148 BOOST, FITS XD/XDR DRIVER BODIES - X0HUBS/900HUBS/RISE60(B1)/ROAM30/ROAM40/ROAM50/60(B1)/RAIL40/RISEXX
6	00.1918.145.010	CONVERSION CAPS HUB DOUBLE TIME REAR, 12X142/12X157 X0 DH/12X148 BOOST, THROUGH AXLE,9/10 SPEED DRIVER BODY - X0HUBS/900HUBS/RISE60 (B1)/ROAM30/ROAM40/ROAM50/60(B1)/RAIL40/RISEXX
6	00.1918.145.012	CONVERSION CAPS HUB DOUBLE TIME REAR - 12X135, 12X150 X0 DHTHROUGH AXLE, FITS XD/XDR DRIVER BODIES - X0HUBS/900HUBS/RISE60 (B1)/ROAM30/ROAM40/ROAM50/60(B1)/RAIL40/RISEXX
7	00.1918.145.002	CONVERSION CAPS HUB DOUBLE TIME FRONT, 15X100MM THROUGH AXLE - X0HUBS/900HUBS/RISE60 (B1)/ROAM30/ROAM40/ROAM50/60(B1)/RAIL40/RISEXX
7	00.1918.145.013	CONVERSION CAPS HUB DOUBLE TIME FRONT - 12X100 - X0HUBS/900HUBS/RISE60 (B1)/ROAM30/ROAM40/ROAM50/60(B1) RAIL40/RISEXX
8	00.1918.145.003	CONVERSION CAPS HUB DOUBLE TIME FRONT, 20X110 THROUGH AXLE - X0HUBS/900HUBS/RISE60 (B1)/ROAM30/ROAM40/ROAM50/60(B1)/RAIL40/RISEXX
9	00.1918.145.000	CONVERSION CAPS HUB DOUBLE TIME FRONT, 9X100 QR 19MM STANDARD - X0HUBS/900HUBS/RISE60 (B1)/ROAM30/ROAM40/ROAM50/60(B1)/RAIL40/RISEXX
AXLE AND QUICK RELEASE		
NO.	PART NUMBER	DESCRIPTION
ns	00.4318.005.001	AXLE MAXLE ULTIMATE FRONT MTB, 15X100, LENGTH 148MM, THREAD LENGTH 9MM, THREAD PITCH M15X1.50 - PIKE, RS1, LYRIK B1, YARI
ns	00.4318.005.002	AXLE MAXLE LITE FRONT MTB, 15X100, LENGTH 148MM, THREAD LENGTH 9MM, THREAD PITCH M15X1.50 - SID/REBA/REVELATION/RECON/SEKTOR/XC32
ns	00.4318.005.004	AXLE MAXLE LITE FRONT MTB, 15X110, LENGTH 158MM, THREAD LENGTH 9MM, THREAD PITCH M15X1.50 BOOST COMPATIBLE - SID/REBA
ns	00.4318.005.007	AXLE MAXLE ULTIMATE FRONT MTB, 15X110, LENGTH 158MM, THREAD LENGTH 9MM, THREAD PITCH M15X1.50 - PIKE, LYRIK B1, YARI BOOST COMPATIBLE
ns	00.4318.005.008	AXLE MAXLE ULTIMATE REAR MTB, 12X135, LENGTH 167MM, THREAD LENGTH 20MM, THREAD PITCH M12X1.75 - STANDARD
ns	00.4318.005.009	AXLE MAXLE ULTIMATE REAR MTB, 12X142, LENGTH 174MM, THREAD LENGTH 20MM, THREAD PITCH M12X1.75 - STANDARD
ns	00.4318.005.010	AXLE MAXLE ULTIMATE REAR MTB, 12X148, LENGTH 180MM, THREAD LENGTH 20MM, THREAD PITCH M12X1.75 - BOOST COMPATIBLE
ns	00.4318.005.011	AXLE MAXLE ULTIMATE REAR MTB, 12X150, LENGTH 182MM, THREAD LENGTH 20MM, THREAD PITCH M12X1.75 - STANDARD
ns	00.4318.005.012	AXLE MAXLE ULTIMATE REAR MTB, 12X148, LENGTH 188MM, THREAD LENGTH 20MM, THREAD PITCH M12X1.75 - BOOST COMPATIBLE
ns	00.4318.005.018	AXLE MAXLE STEALTH FRONT MTB, 15X100, LENGTH 148MM, THREAD LENGTH 9MM, THREAD PITCH M15X1.50 (NOT COMPATIBLE WITH RS-1) - STANDARD
ns	00.4318.005.019	AXLE MAXLE STEALTH FRONT MTB, 15X110, LENGTH 158MM, THREAD LENGTH 9MM, THREAD PITCH M15X1.50 - BOOST COMPATIBLE
ns	00.4318.005.020	AXLE MAXLE STEALTH FRONT MTB, 15X150, LENGTH 198MM, THREAD LENGTH 9MM, THREAD PITCH M15X1.50 - BLUTO
ns	00.4318.005.021	AXLE MAXLE STEALTH FRONT ROAD, 12X100, LENGTH 118.5MM, THREAD LENGTH 9MM, THREAD PITCH M12X1.5 - ROAD FORKS
ns	00.4318.005.022	AXLE MAXLE STEALTH REAR MTB, 12X142, LENGTH 160MM, THREAD LENGTH 20MM, THREAD PITCH M12X1.5 - ROAD FRAMES
ns	00.4318.005.023	AXLE MAXLE STEALTH REAR MTB, 12X142, LENGTH 164MM, THREAD LENGTH 10MM, THREAD PITCH M12X1.5 - STANDARD FRAMES
ns	00.4318.005.024	AXLE MAXLE STEALTH REAR MTB, 12X142, LENGTH 167MM, THREAD LENGTH 20MM, THREAD PITCH M12X1.0 - SANTA CRUZ, SCOTT FRAMES
ns	00.4318.005.025	AXLE MAXLE STEALTH REAR MTB, 12X148, LENGTH 170MM, THREAD LENGTH 10MM, THREAD PITCH M12X1.5 - BOOST E-THRU INTERFACE FRAMES
ns	00.4318.005.026	AXLE MAXLE STEALTH REAR MTB, 12X142, LENGTH 170.5MM, THREAD LENGTH 14MM, THREAD PITCH M12X1.5 - GIANT FRAMES
ns	00.4318.005.027	AXLE MAXLE STEALTH REAR MTB, 12X142, LENGTH 174MM, THREAD LENGTH 20MM, THREAD PITCH M12X1.75 - STANDARD FRAMES
ns	00.4318.005.028	AXLE MAXLE STEALTH REAR MTB, 12X148, LENGTH 180MM, THREAD LENGTH 20MM, THREAD PITCH M12X1.75 - BOOST FRAMES
ns	00.4318.005.029	AXLE MAXLE STEALTH REAR MTB, 12X148, LENGTH 188MM, THREAD LENGTH 20MM, THREAD PITCH M12X1.75 - BOOST SPLIT PIVOT FRAMES
ns	00.4318.005.030	AXLE MAXLE STEALTH REAR MTB, 12X148, LENGTH 195MM, THREAD LENGTH 20MM, THREAD PITCH M12X1.75 - BOOST TREK ABP FRAMES
10	00.1918.177.010	BEARING PRESS TOOL 23X32X7, FRONT HUB - X0 HUBS/900 HUBS/RISE 60 (B1)/ROAM 30/ROAM 40/ROAM 60(B1)/RAIL 40/RISE XX
11	00.1918.177.040	BEARING PRESS TOOLS 6903/63803D28, REAR HUB - X0 HUBS/900 HUBS/RISE 60 (B1)/ROAM 30/ROAM 40/ROAM 60(B1)/RAIL 40/RISE XX

# X0 - MTB HUB (2015-2018) A1

HU-X0-A1



- NOTES:
1. X0 hubs use Double Time internals.
  2. See Maxle page for complete list of Maxle options

NO.	PART NUMBER	DESCRIPTION
1	11.1918.002.013	WHEEL SPARE PARTS HUB AXLE REAR - X0 HUBS/RISE 60 (B1)/ROAM 30/ROAM 40/RAIL 40/RISE XX/ ROAM 50/60 (B1)
2	11.1918.003.030	WHEEL SPARE PARTS HUB BEARING SET FRONT DOUBLE TIME (INCLUDES 2-23327) - X0 HUBS/RISE 60 (B1)/ROAM 30/ROAM 40/ROAM 50/60 (B1)/RAIL 40
3	11.1918.003.040	WHEEL SPARE PARTS HUB BEARING SET REAR DOUBLE TIME (INCLUDES 1-6903/61903 & 1-63803D28) - X0 HUBS/RISE 60 (B1)/ROAM 30/ROAM 40/ROAM 50/60 (B1)/RAIL 40
4	11.1918.003.050	WHEEL SPARE PARTS HUB BEARING SET FREEHUB DOUBLE TIME (INCLUDES 2-63803D28) -X0 HUBS/RISE60 (B1)/ROAM 30/ROAM 40/ROAM 50/60 (B1)/RAIL 40
5	11.1918.000.011	WHEEL FREEHUB KIT - (INCLUDES BEARINGS & PAWLS) 9/10 SPEED - X0HUBS/RISE 60 (B1)/ROAM 30/ROAM 40/RAIL 40/RISE XX/ROAM 50/60 (B1)
6	11.1918.000.012	WHEEL FREEHUB KIT - (INCLUDES BEARINGS & PAWLS) 11/12 SPEED XD - X0 HUBS/RISE 60 (B1)/ROAM 30/ROAM 40/RAIL 40/RISE XX/ROAM 50/60 (B1)

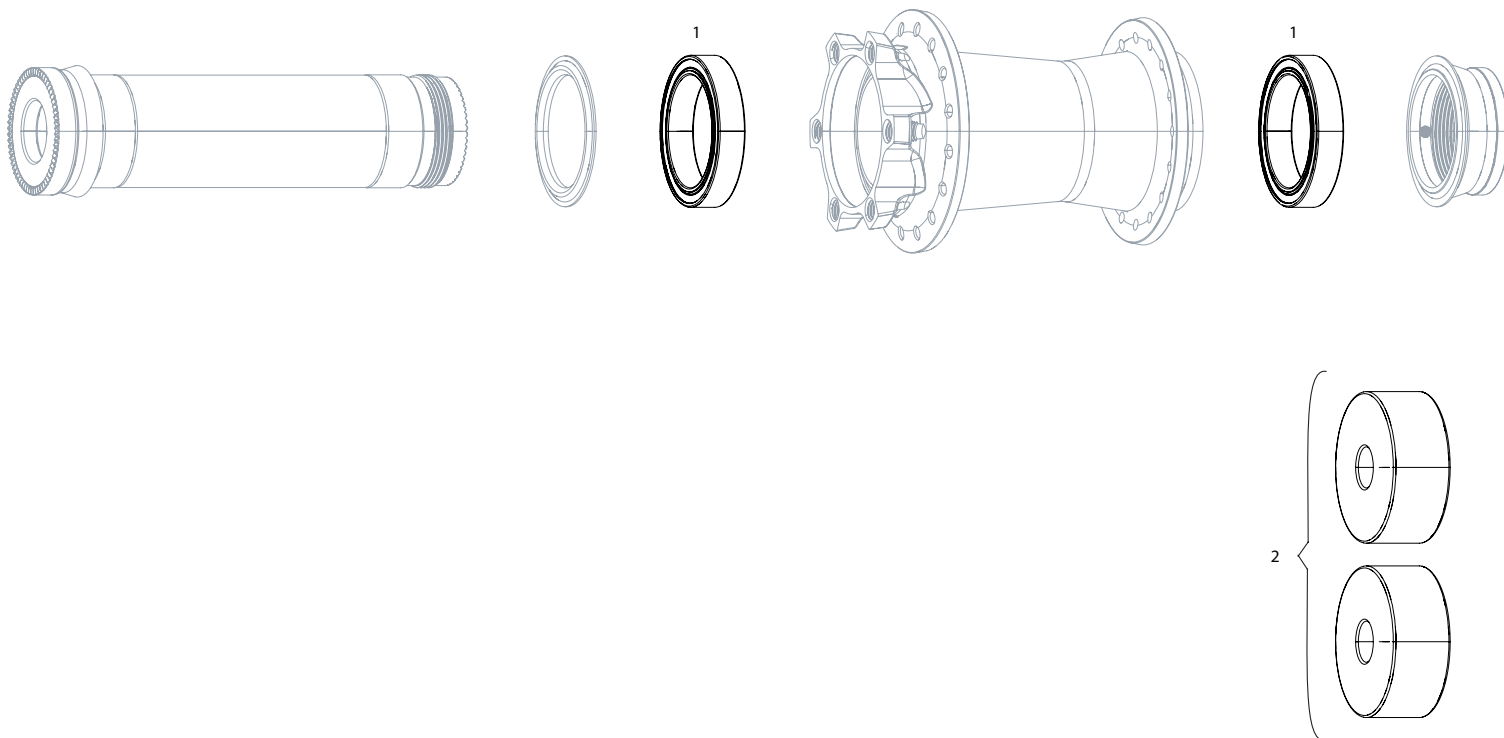
NO.	PART NUMBER	DESCRIPTION
CONVERSION CAPS		
7	00.1918.145.000	CONVERSION CAPS HUB DOUBLE TIME FRONT, 9X100 QR 19MM STANDARD - X0HUBS/900HUBS/RISE60 (B1)/ROAM30/ROAM40/ROAM50/60 (B1)/RAIL40/RISEXX
8	00.1918.145.002	CONVERSION CAPS HUB DOUBLE TIME FRONT, 15X100MM THROUGH AXLE - X0HUBS/900HUBS/RISE60 (B1)/ROAM30/ROAM40/ROAM50/60(B1)/RAIL40/RISEXX
8	00.1918.145.003	CONVERSION CAPS HUB DOUBLE TIME FRONT, 20X110 THROUGH AXLE - X0HUBS/900HUBS/RISE60 (B1)/ROAM30/ROAM40/ROAM50/60(B1)/RAIL40/RISEXX
ns	00.1918.145.014	CONVERSION CAPS HUB DOUBLE TIME FRONT, 20X110 BOOST, THROUGH AXLE (ONLY COMPATIBLE WITH BOOST HUBS) - X0HUBS/900HUBS
9	00.1918.145.004	CONVERSION CAPS HUB DOUBLE TIME REAR, 10X135 QR, FITS 9/10 SPEED DRIVER BODY - X0HUBS/900HUBS/RISE60 (B1)/ROAM30/ROAM40/ROAM50/60(B1)/RAIL40/RISEXX
9	00.1918.145.006	CONVERSION CAPS HUB DOUBLE TIME REAR, 10X135 QR, FITS XD/XDR DRIVER BODIES - X0HUBS/900HUBS/RISE60 (B1)/ROAM30/ROAM40/ROAM50/60(B1)/RAIL40/RISEXX
10	00.1918.145.007	CONVERSION CAPS HUB DOUBLE TIME REAR, 12X142/12X157 X0 DH/12X148 BOOST, FITS XD/XDR DRIVER BODIES - X0HUBS/900HUBS/RISE60(B1)/ROAM30/ROAM40/ROAM50/60(B1)/RAIL40/RISEXX
10	00.1918.145.010	CONVERSION CAPS HUB DOUBLE TIME REAR, 12X142/12X157 X0 DH/12X148 BOOST, THROUGH AXLE, 9/10 SPEED DRIVER BODY - X0HUBS/900HUBS/RISE60 (B1)/ROAM30/ROAM40/ROAM50/60(B1)/RAIL40/RISEXX
10	00.1918.145.012	CONVERSION CAPS HUB DOUBLE TIME REAR - 12X135, 12X150 X0 DH THROUGH AXLE, FITS XD/XDR DRIVER BODIES - X0HUBS/900HUBS/RISE60 (B1)/ROAM30/ROAM40/ROAM50/60(B1)/RAIL40/RISEXX

NO.	PART NUMBER	DESCRIPTION
AXLE AND QUICK RELEASE		
ns	00.4318.005.001	AXLE MAXLE ULTIMATE FRONT MTB, 15X100, LENGTH 148MM, THREAD LENGTH 9MM, THREAD PITCH M15X1.50 - PIKE, RS1, LYRIK B1, YARI
ns	00.4318.005.002	AXLE MAXLE LITE FRONT MTB, 15X100, LENGTH 148MM, THREAD LENGTH 9MM, THREAD PITCH M15X1.50 - SID/REBA/REVELATION/RECON/SEKTOR/XC32

NO.	PART NUMBER	DESCRIPTION
GREASE AND TOOLS		
11	00.1918.177.010	BEARING PRESS TOOL 23X32X7, FRONT HUB - X0 HUBS/900 HUBS/RISE 60 (B1)/ROAM 30/ROAM 40/ROAM 60(B1)/RAIL 40/RISE XX
12	00.1918.177.040	BEARING PRESS TOOLS 6903/63803D28, REAR HUB - X0 HUBS/900 HUBS/RISE 60 (B1)/ROAM 30/ROAM 40/ROAM 60(B1)/RAIL 40/RISE XX
ns	00.4318.008.000	GREASE SRAM BUTTER 20ML SYRINGE, FRICTION REDUCING GREASE BYSLICKOLEUM - DOUBLE TIME HUB PAWLS, FORKS & REVERB SERVICE

# PREDICTIVE STEERING - MTB HUB

HU-X0-PS-A1



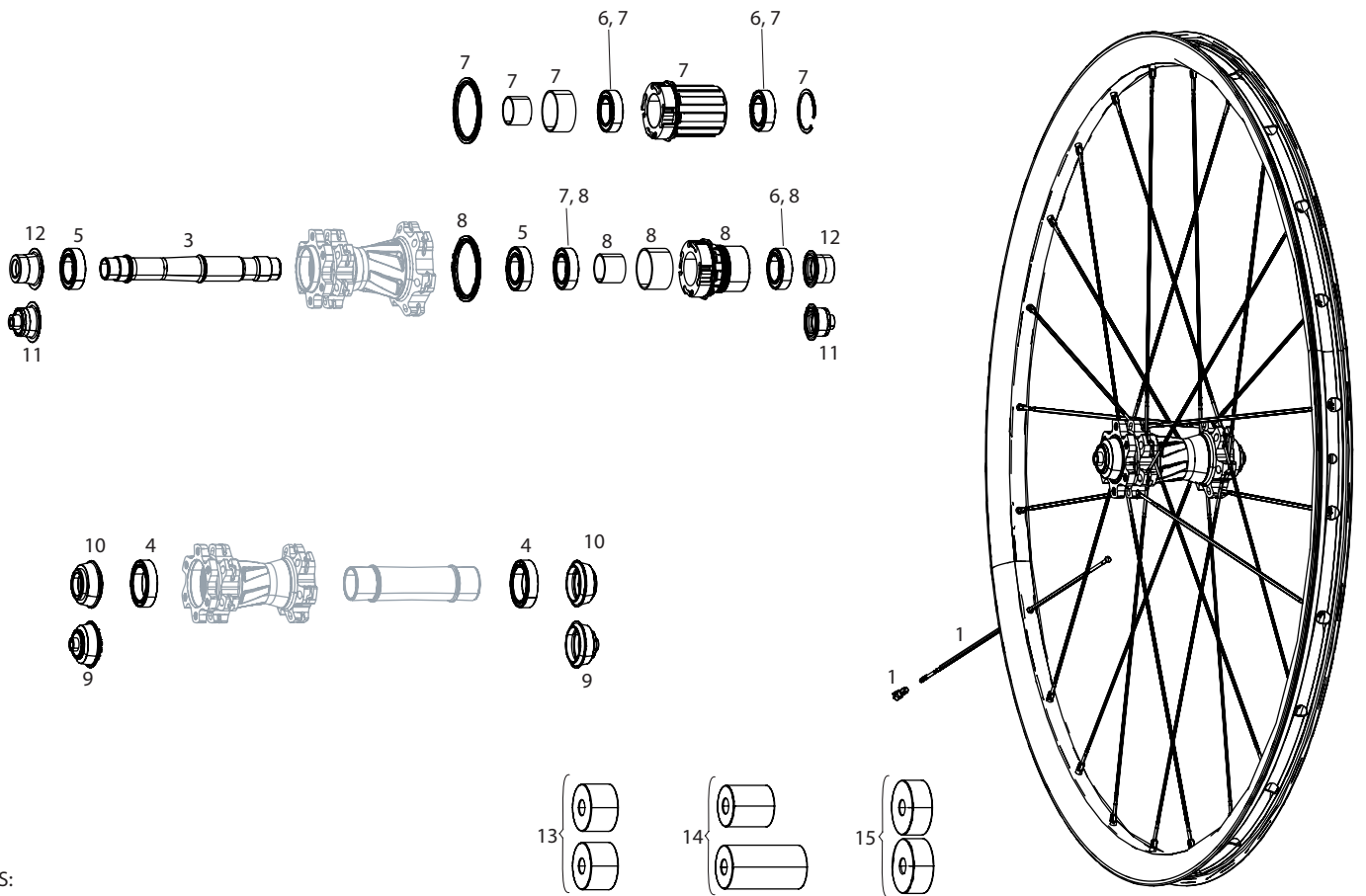
**NOTES:**

- 1. Predictive Steering hubs are not convertible to any other axle type.
- 2. Predictive Steering hubs may only be used with 00.4318.005.001 Maxle Ultimate 15mm Black.

NO.	PART NUMBER	DESCRIPTION
1	11.1918.003.110	WHEEL HUB BEARINGS - FRONT (INCLUDES 2-27.5X37X7 STEEL) - PREDICTIVE STEERING A1
ns	00.4318.005.001	AXLE MAXLE ULTIMATE FRONT MTB, 15X100, LENGTH 148MM, THREAD LENGTH 9MM, THREAD PITCH M15X1.50 - PIKE, RS1, LYRIK B1, YARI
2	00.1918.177.030	BEARING PRESS TOOL 27.5X37X7, PREDICTIVE STEERING FRONT HUB - RISE60(A1,B1)/ROAM50/RISE XX
ns	00.4318.008.000	GREASE SRAM BUTTER 20ML SYRINGE, FRICTION REDUCING GREASE BYSLICKOLEUM - DOUBLE TIME HUB PAWLS, FORKS & REVERB SERVICE

# WHEELS - RISE 60, B1 (2015-2018)

WH-RISE-60-B1



**NOTES:**

- 1. X0 hubs use Double Time internals.
- 2. See Maxle page for complete list of Maxle options

NO.	PART NUMBER	DESCRIPTION
1	11.1918.027.023	SPOKES & NIPPLES 3-PACK 278MM CX-RAY STRAIGHT-PULL EXTERNAL BLACK - RISE 60 (B1) 27.5"
1	11.1918.027.024	SPOKES & NIPPLES 3-PACK 298MM CX-RAY STRAIGHT-PULL EXTERNAL BLACK - RISE 60 (B1) 29"
ns	00.1918.126.004	TUBELESS KIT INCLUDES 26MM TAPE, 2 UNIVERSAL VALVES & 1 VALVE CORE WRENCH (FITS 21MM INNER WIDTH RIMS, RISE 60 [B1]/ROAM [A1]WHEELS)
ns	00.1918.325.000	TUBELESS UNIVERSAL VALVE, REMOVABLE VALVE CORE (INCLUDES 1 TUBELESS VALVE & 1 VALVE CORE WRENCH) - SRAM MTB WHEELS
3	11.1918.002.013	WHEEL AXLE - REAR - X0 HUBS/RISE 60 (B1)/ROAM30/ROAM 40/RAIL 40/RISE XX/ ROAM 50/60 B1
4	11.1918.003.030	WHEEL HUB BEARINGS - FRONT DOUBLE TIME (INCLUDES 2-23327) - X0 HUBS/RISE 60 (B1)/ROAM 30/ROAM 40/ROAM 50/60(B1)/RAIL 40
5	11.1918.003.040	WHEEL HUB BEARINGS - REAR DOUBLE TIME (INCLUDES 1-6903/61903 & 1-63803D28) - X0 HUBS/RISE 60 (B1)/ROAM 30/ROAM 40/ROAM 50/60 (B1)/RAIL 40
6	11.1918.003.050	WHEEL HUB BEARINGS - FREEHUB DOUBLE TIME (INCLUDES 2-63803D28) -X0 HUBS/RISE60 (B1)/ROAM 30/ROAM 40/ROAM 50/60 (B1)/RAIL 40
7	11.1918.000.011	WHEEL FREEHUB KIT - (INCLUDES BEARINGS & PAWLS) 9/10 SPEED - X0HUBS/RISE 60 (B1)/ROAM 30/ROAM 40/RAIL 40/RISE XX/ROAM 50/60 (B1)
8	11.1918.000.012	WHEEL FREEHUB KIT - (INCLUDES BEARINGS & PAWLS) 11/12 SPEED XD - X0 HUBS/RISE 60 (B1)/ROAM 30/ROAM 40/RAIL 40/RISE XX/ROAM 50/60 (B1)

# WHEELS - RISE 60, B1 (2015-2018)

WH-RISE-60-B1



CONVERSION CAPS		
NO.	PART NUMBER	DESCRIPTION
9	00.1918.145.000	CONVERSION CAPS HUB DOUBLE TIME FRONT, 9X100 QR 19MM STANDARD - X0HUBS/900HUBS/RISE60 (B1)/ROAM30/ROAM40/ROAM50/60(B1)/RAIL40/RISEXX
10	00.1918.145.002	CONVERSION CAPS HUB DOUBLE TIME FRONT, 15X100/15X110 BOOST THROUGH AXLE X0HUBS/900HUBS/RISE60 (B1)/ROAM30/ROAM40/ROAM50/60(B1)/RAIL40/RISEXX
10	00.1918.145.003	CONVERSION CAPS HUB DOUBLE TIME FRONT, 20X110 THROUGH AXLE - X0HUBS/900HUBS/RISE60 (B1)/ROAM30/ROAM40/ROAM50/60(B1)/RAIL40/RISEXX
11	00.1918.145.004	CONVERSION CAPS HUB DOUBLE TIME REAR, 10X135 QR, FITS 9/10 SPEED DRIVER BODY - X0HUBS/900HUBS/RISE60 (B1)/ROAM30/ROAM40/ROAM50/60(B1)/RAIL40/RISEXX
11	00.1918.145.006	CONVERSION CAPS HUB DOUBLE TIME REAR, 10X135 QR, FITS XD/XDR DRIVER BODIES - X0HUBS/900HUBS/RISE60 (B1)/ROAM30/ROAM40/ROAM50/60(B1)/RAIL40/RISEXX
12	00.1918.145.007	CONVERSION CAPS HUB DOUBLE TIME REAR, 12X142/12X157 X0 DH/12X148 BOOST, FITS XD/XDR DRIVER BODIES - X0HUBS/900HUBS/RISE60(B1)/ROAM30/ROAM40/ROAM50/60(B1)/RAIL40/RISEXX
12	00.1918.145.010	CONVERSION CAPS HUB DOUBLE TIME REAR, 12X142/12X157 X0 DH/12X148 BOOST, THROUGH AXLE, 9/10 SPEED DRIVER BODY - X0HUBS/900HUBS/RISE60 (B1)/ROAM30/ROAM40/ROAM50/60(B1)/RAIL40/RISEXX
12	00.1918.145.011	CONVERSION CAPS HUB DOUBLE TIME FRONT, 15X100/15X110 BOOST, 31MM THROUGH AXLE, TORQUE CAP ROCKSHOX FORKS - X0HUBS/900HUBS/RISE60 (B1)/ROAM30/ROAM40/ROAM50/60(B1)/RAIL40/RISEXX
12	00.1918.145.012	CONVERSION CAPS HUB DOUBLE TIME REAR - 12X135, 12X150 X0 DH THROUGH AXLE, FITS XD/XDR DRIVER BODIES - X0HUBS/900HUBS/RISE60 (B1)/ROAM30/ROAM40/ROAM50/60(B1)/RAIL40/RISEXX

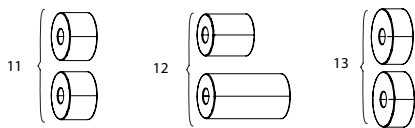
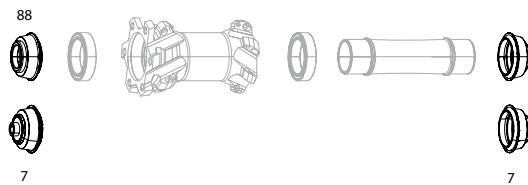
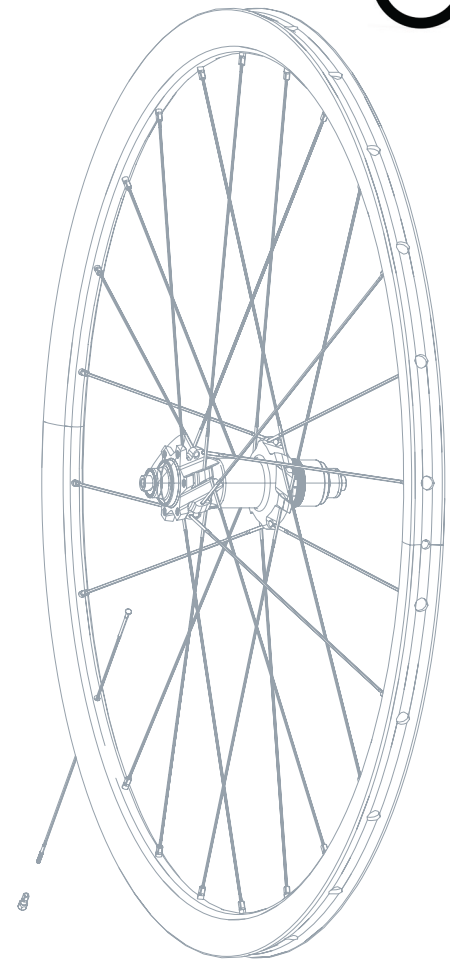
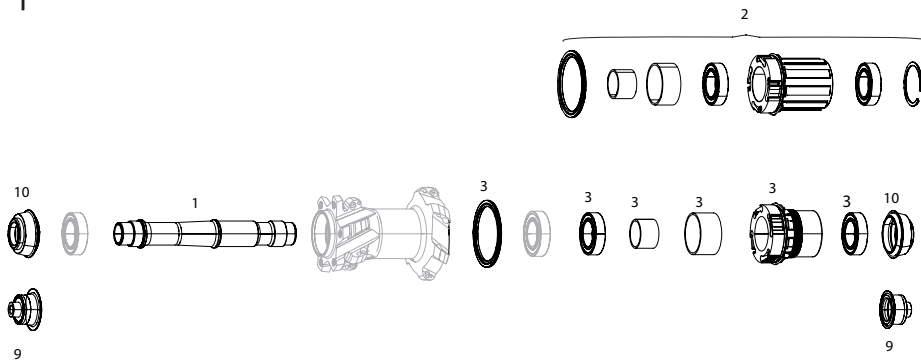
MAXLE AND QUICK RELEASE		
NO.	PART NUMBER	DESCRIPTION
ns	00.4318.005.001	AXLE MAXLE ULTIMATE FRONT MTB, 15X100, LENGTH 148MM, THREADLENGTH 9MM, THREAD PITCH M15X1.50 - PIKE, RS1, LYRIK B1, YARI
ns	00.4318.005.018	AXLE MAXLE STEALTH FRONT MTB, 15X100, LENGTH 148MM, THREAD LENGTH 9MM, THREAD PITCH M15X1.50 (NOT COMPATIBLE WITH RS-1) STANDARD
ns	00.4318.005.002	AXLE MAXLE LITE FRONT MTB, 15X100, LENGTH 148MM, THREAD LENGTH 9MM, THREAD PITCH M15X1.50 - SID/REBA/REVELATION/RECON/SEKTOR/XC32

TOOLS AND GREASE		
NO.	PART NUMBER	DESCRIPTION
13	00.1918.177.010	BEARING PRESS TOOL 23X32X7, FRONT HUB - X0 HUBS/900 HUBS/RISE 60 (B1)/ROAM 30/ROAM 40/ROAM 60(B1)/RAIL 40/RISE XX
14	00.1918.177.040	BEARING PRESS TOOLS 6903/63803D28, REAR HUB - X0 HUBS/900 HUBS/RISE 60 (B1)/ROAM 30/ROAM 40/ROAM 60(B1)/RAIL 40/RISE XX
15	00.1918.177.030	BEARING PRESS TOOL 27.5X37X7, PREDICTIVE STEERING FRONT HUB - RISE60(A1,B1)/ROAM50/RISE XX
ns	00.4318.008.000	GREASE SRAM BUTTER 20ML SYRINGE, FRICTION REDUCING GREASE BYSLICKOLEUM - DOUBLE TIME HUB PAWLS, FORKS & REVERB SERVICE
	00.4318.008.003	GREASE SRAM BUTTER 500ML CONTAINER, FRICTION REDUCING GREASEBY SLICKOLEUM - RECOMMENDED FOR SRAM DOUBLE TIME HUBS & WHEELS, ROCKSHOX FORKS AND REVERB SERVICE



# WHEELS - RISE XX A1 (2015-2017)

WH-RISE-XX-A1



**NOTES:**

- 1. Rise XX uses Double Time hub internals
- 2. All Rise XX hubs use ceramic ball bearings.
- 3. See Maxle page for complete list of Maxle options

NO.	PART NUMBER	DESCRIPTION
1	11.1918.002.013	WHEEL AXLE - REAR - X0 HUBS/RISE 60 (B1)/ROAM30/ROAM 40/RAIL 40/RISE XX/ ROAM 50/60 B1
2	11.1918.000.011	WHEEL FREEHUB KIT - (INCLUDES BEARINGS & PAWLS) 9/10 SPEED - X0HUBS/RISE 60 (B1)/ROAM 30/ROAM 40/RAIL 40/RISE XX/ROAM 50/60 (B1)
3	11.1918.000.012	WHEEL FREEHUB KIT - (INCLUDES BEARINGS & PAWLS) 11/12 SPEED XD - X0 HUBS/RISE 60 (B1)/ROAM 30/ROAM 40/RAIL 40/RISE XX/ROAM 50/60 (B1)
CONVERSION CAPS		
NO.	PART NUMBER	DESCRIPTION
7	00.1918.145.000	CONVERSION CAPS HUB DOUBLE TIME FRONT, 9X100 QR 19MM STANDARD - X0HUBS/900HUBS/RISE60 (B1)/ROAM30/ROAM40/ROAM50/60(B1)/RAIL40/RISEXX
8	00.1918.145.002	CONVERSION CAPS HUB DOUBLE TIME FRONT, 15X100/15X110 BOOST THROUGH AXLE X0HUBS/900HUBS/RISE60 (B1)/ROAM30/ROAM40/ROAM50/60(B1)/RAIL40/RISEXX
8	00.1918.145.003	CONVERSION CAPS HUB DOUBLE TIME FRONT, 20X110 THROUGH AXLE - X0HUBS/900HUBS/RISE60 (B1)/ROAM30/ROAM40/ROAM50/60(B1)/RAIL40/RISEXX
9	00.1918.145.004	CONVERSION CAPS HUB DOUBLE TIME REAR, 10X135 QR, FITS 9/10 SPEED DRIVER BODY - X0HUBS/900HUBS/RISE60 (B1)/ROAM30/ROAM40/ROAM50/60(B1)/RAIL40/RISEXX
9	00.1918.145.006	CONVERSION CAPS HUB DOUBLE TIME REAR, 10X135 QR, FITS XD/XDR DRIVER BODIES - X0HUBS/900HUBS/RISE60 (B1)/ROAM30/ROAM40/ROAM50/60(B1)/RAIL40/RISEXX
10	00.1918.145.007	CONVERSION CAPS HUB DOUBLE TIME REAR, 12X142/12X157 X0 DH/12X148 BOOST, FITS XD/XDR DRIVER BODIES - X0HUBS/900HUBS/RISE60(B1)/ROAM30/ROAM40/ROAM50/60(B1)/RAIL40/RISEXX
10	00.1918.145.010	CONVERSION CAPS HUB DOUBLE TIME REAR, 12X142/12X157 X0 DH/12X148 BOOST, THROUGH AXLE, 9/10 SPEED DRIVER BODY - X0HUBS/900HUBS/RISE60 (B1)/ROAM30/ROAM40/ROAM50/60(B1)/RAIL40/RISEXX
10	00.1918.145.012	CONVERSION CAPS HUB DOUBLE TIME REAR - 12X135, 12X150 X0 DH THROUGH AXLE, FITS XD/XDR DRIVER BODIES - X0HUBS/900HUBS/RISE60 (B1)/ROAM30/ROAM40/ROAM50/60(B1)/RAIL40/RISEXX

# WHEELS - RISE XX A1 (2015-2017)

WH-RISE-XX-A1



## MAXLE AND QUICK RELEASE

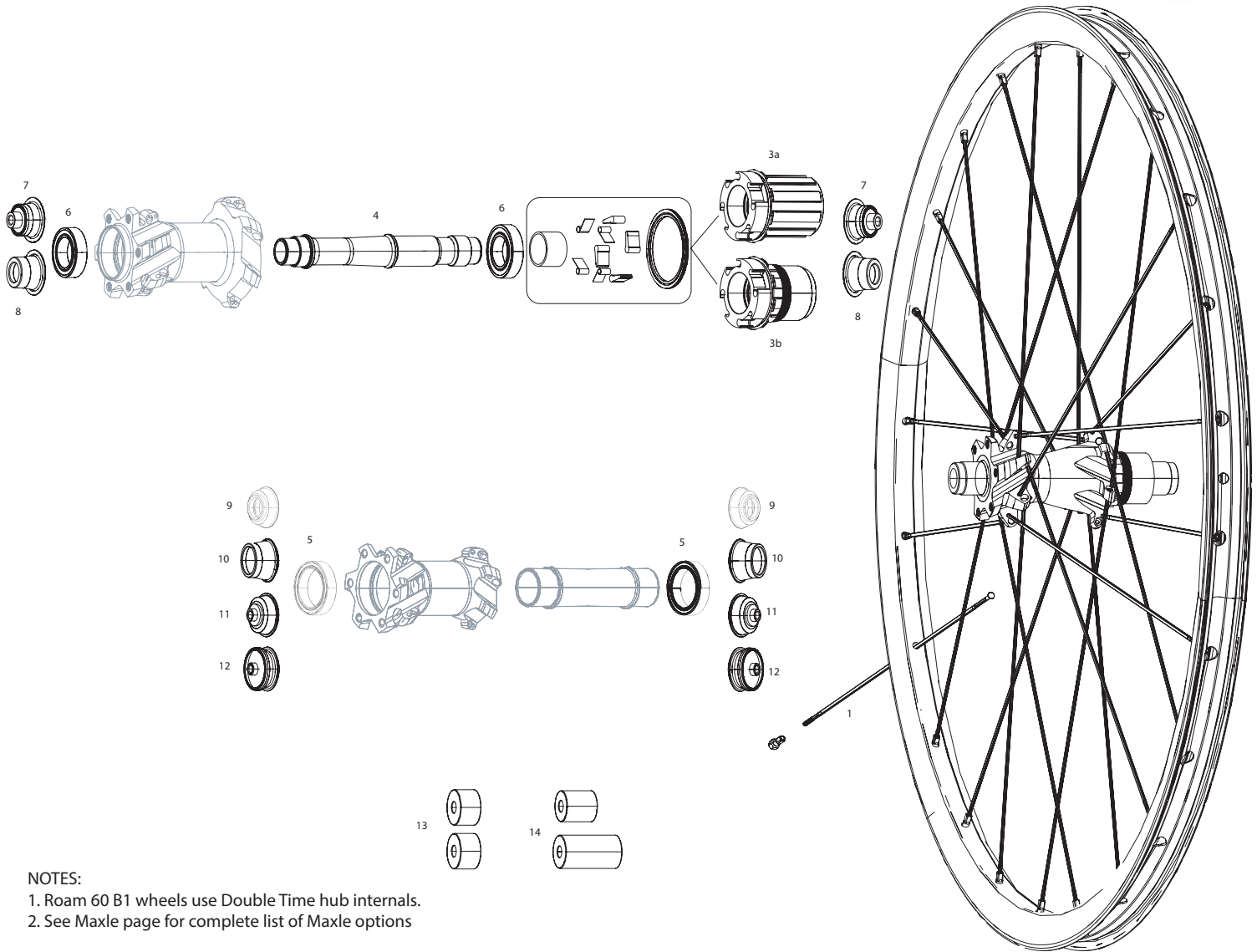
NO.	PART NUMBER	DESCRIPTION
ns	00.4318.005.001	AXLE MAXLE ULTIMATE FRONT MTB, 15X100, LENGTH 148MM, THREADLENGTH 9MM, THREAD PITCH M15X1.50 - PIKE, RS1, LYRIK B1, YARI
ns	00.4318.005.018	AXLE MAXLE STEALTH FRONT MTB, 15X100, LENGTH 148MM, THREAD LENGTH 9MM, THREAD PITCH M15X1.50 (NOT COMPATIBLE WITH RS-1) STANDARD
ns	00.4318.005.002	AXLE MAXLE LITE FRONT MTB, 15X100, LENGTH 148MM, THREAD LENGTH 9MM, THREAD PITCH M15X1.50 - SID/REBA/REVELATION/RECON/SEKTOR/XC32

## TOOLS AND GREASE

NO.	PART NUMBER	DESCRIPTION
11	00.1918.177.010	BEARING PRESS TOOL 23X32X7, FRONT HUB - X0 HUBS/900 HUBS/RISE 60 (B1)/ROAM 30/ROAM 40/ROAM 60(B1)/RAIL 40/RISE XX
12	00.1918.177.040	BEARING PRESS TOOLS 6903/63803D28, REAR HUB - X0 HUBS/900 HUBS/RISE 60 (B1)/ROAM 30/ROAM 40/ROAM 60(B1)/RAIL 40/RISE XX
13	00.1918.177.030	BEARING PRESS TOOL 27.5X37X7, PREDICTIVE STEERING FRONT HUB - RISE60(A1,B1)/ROAM50/RISE XX
ns	00.4318.008.000	GREASE SRAM BUTTER 20ML SYRINGE, FRICTION REDUCING GREASE BYSLICKOLEUM - DOUBLE TIME HUB PAWLS, FORKS & REVERB SERVICE
ns	00.4318.008.003	GREASE SRAM BUTTER 500ML CONTAINER, FRICTION REDUCING GREASEBY SLICKOLEUM - RECOMMENDED FOR SRAM DOUBLE TIME HUBS & WHEELS, ROCKSHOX FORKS AND REVERB SERVICE

# WHEELS - ROAM 60 27.5"/29" B1 (2017-2018)

WH-ROAM-60-B1



**NOTES:**

- 1. Roam 60 B1 wheels use Double Time hub internals.
- 2. See Maxle page for complete list of Maxle options

NO.	PART NUMBER	DESCRIPTION
1	11.1918.027.028	SPOKES & NIPPLES 3-PACK 284MM CX-RAY STRAIGHT-PULL EXTERNAL BLACK - ROAM 60 (B1) 27.5"
ns	00.1918.126.006	TUBELESS KIT INCLUDES 32MM TAPE, 2 UNIVERSAL VALVES & 1 VALVE CORE WRENCH (FITS 30MM INNER WIDTH RIMS, ROAM 60[B1] WHEELS)
ns	00.1918.325.000	TUBELESS UNIVERSAL VALVE, REMOVABLE VALVE CORE (INCLUDES 1 TUBELESS VALVE & 1 VALVE CORE WRENCH) - SRAM MTB WHEELS
3a	11.1918.000.011	WHEEL FREEHUB KIT - (INCLUDES BEARINGS & PAWLS) 9/10 SPEED -X0HUBS/RISE 60 (B1)/ROAM 30/ROAM 40/RAIL 40/RISE XX/ROAM 50 /60 (B1)
3b	11.1918.000.012	WHEEL FREEHUB KIT - (INCLUDES BEARINGS & PAWLS) 11/12 SPEED XD X0 HUBS/RISE 60 (B1)/ROAM 30/ROAM 40/RAIL 40/RISE XX/ROAM 50/60 (B1)
4	11.1918.002.013	WHEEL AXLE - REAR - X0 HUBS/RISE 60 (B1)/ROAM30/ROAM 40/RAIL40/RISE XX/ ROAM 50/60 B1
5	11.1918.003.030	WHEEL HUB BEARINGS - FRONT DOUBLE TIME (INCLUDES 2-23327) - X0 HUBS/RISE 60 (B1)/ROAM 30/ROAM 40/ROAM 50/60(B1)/RAIL 40
6	11.1918.003.040	WHEEL HUB BEARINGS - REAR DOUBLE TIME (INCLUDES1-6903/61903 & 1-63803D28) - X0 HUBS/RISE 60 (B1)/ROAM 30/ROAM 40/ROAM 50/60 (B1)/RAIL 40
ns	11.1918.003.050	WHEEL HUB BEARINGS - FREEHUB DOUBLE TIME (INCLUDES 2-63803D28) -X0 HUBS/RISE60 (B1)/ROAM 30/ROAM 40/ROAM 50/60 (B1)/RAIL40

# WHEELS - ROAM 60 27.5" B1 (2017-2018)

WH-ROAM-60-B1



## CONVERSION CAPS

NO.	PART NUMBER	DESCRIPTION
7	00.1918.145.004	CONVERSION CAPS HUB DOUBLE TIME REAR, 10X135 QR, FITS 9/10 SPEED DRIVER BODY
7	00.1918.145.006	CONVERSION CAPS HUB DOUBLE TIME REAR, 10X135 QR, FITS XD/XD-R DRIVER BODIES
8	00.1918.145.007	CONVERSION CAPS HUB DOUBLE TIME REAR, 12X142/12X157 X0 DH/12X148 BOOST, FITS XD/XD-R DRIVER BODIES
8	00.1918.145.010	CONVERSION CAPS HUB DOUBLE TIME REAR, 12X142/12X157 X0 DH/12X148 BOOST, THROUGH AXLE, 9/10 SPEED DRIVER BODY
8	00.1918.145.012	CONVERSION CAPS HUB DOUBLE TIME REAR - 12X135, 12X150 X0 DH THROUGH AXLE, FITS XD/XD-R DRIVER BODIES
9	00.1918.145.002	CONVERSION CAPS HUB DOUBLE TIME FRONT, 15X100MM THROUGH AXLE
9	00.1918.145.011	CONVERSION CAPS HUB DOUBLE TIME FRONT, 15X100/15X110 BOOST, 31MM THROUGH AXLE, TORQUE CAP ROCKSHOX FORKS
10	00.1918.145.003	CONVERSION CAPS HUB DOUBLE TIME FRONT, 20X110 THROUGH AXLE
11	00.1918.145.000	CONVERSION CAPS HUB DOUBLE TIME FRONT, 9X100 QR 19MM STANDARD

## MAXLE AND QUICK RELEASE

NO.	PART NUMBER	DESCRIPTION
ns	00.4318.005.001	AXLE MAXLE ULTIMATE FRONT MTB, 15X100, LENGTH 148MM, THREADLENGTH 9MM, THREAD PITCH M15X1.50 - PIKE, RS1, LYRIK B1, YARI
ns	00.4318.005.002	AXLE MAXLE LITE FRONT MTB, 15X100, LENGTH 148MM, THREAD LENGTH 9MM, THREAD PITCH M15X1.50 - SID/REBA/REVELATION/RECON/SEKTOR/XC32

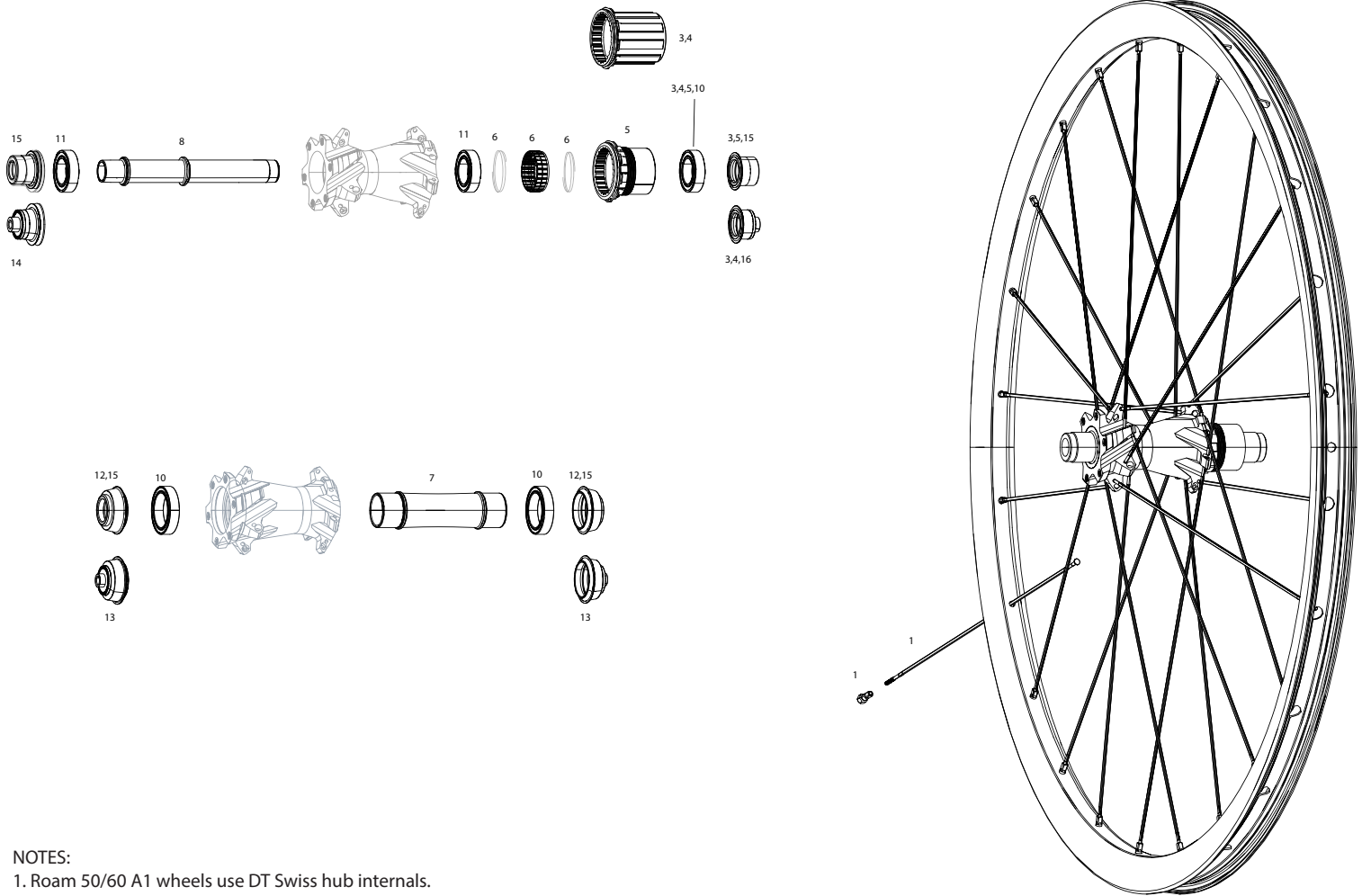
SEE ALSO MAXLE PAGE

## TOOLS AND GREASE

NO.	PART NUMBER	DESCRIPTION
13	00.1918.177.010	BEARING PRESS TOOL 23X32X7, FRONT HUB - X0 HUBS/900 HUBS/RISE 60 (B1)/ROAM 30/ROAM 40/ROAM 60(B1)/RAIL 40/RISE XX
14	00.1918.177.040	BEARING PRESS TOOLS 6903/63803D28, REAR HUB - X0 HUBS/900 HUBS/RISE 60 (B1)/ROAM 30/ROAM 40/ROAM 60(B1)/RAIL 40/RISE XX
ns	00.4318.008.000	GREASE SRAM BUTTER 20ML SYRINGE, FRICTION REDUCING GREASE BY SLICKOLEUM - DOUBLE TIME HUB PAWLS, FORKS & REVERB SERVICE
ns	00.4318.008.003	GREASE SRAM BUTTER 500ML CONTAINER, FRICTION REDUCING GREASE BY SLICKOLEUM - RECOMMENDED FOR SRAM DOUBLE TIME HUBS & WHEELS, ROCKSHOX FORKS AND REVERB SERVICE

# WHEELS - ROAM 50/60 (2014-2016) A1

WH-ROAM-50-A1 / WH-ROAM-60-A1



**NOTES:**

- 1. Roam 50/60 A1 wheels use DT Swiss hub internals.
- 2. See Maxle page for complete list of Maxle options

NO.	PART NUMBER	DESCRIPTION
1	11.1918.027.002	SPOKES & NIPPLES & WASHERS 3-PACK 298MM CX-SPRINT STRAIGHT-PULL EXTERNAL BLACK - ROAM 60 29"
1	11.1918.027.004	SPOKES & NIPPLES 3-PACK 281MM BLADED STRAIGHT-PULL EXTERNAL BLACK - ROAM 50 27.5"
ns	00.1918.126.004	TUBELESS KIT INCLUDES 26MM TAPE, 2 UNIVERSAL VALVES & 1 VALVE CORE WRENCH (FITS 21MM INNER WIDTH RIMS, RISE 60 [B1]/ROAM [A1]WHEELS)
ns	00.1918.325.000	TUBELESS UNIVERSAL VALVE, REMOVABLE VALVE CORE (INCLUDES 1 TUBELESS VALVE & 1 VALVE CORE WRENCH) - SRAM MTB WHEELS

# WHEELS - ROAM 50/60 (2014-2016) A1

WH-ROAM-50-A1 / WH-ROAM-60-A1



NO.	PART NUMBER	DESCRIPTION
3		DT Part No. HWYABX00S1239S
4		DT Part No. HWRABX00S1239S
5		DT Part No. HWYAAAX00S3115S
6		DT Part No. HWTXXX00NSK24S
6		DT Part No. HWDXXX00N2884S
7		DT Part No. HCCXXX00S1792S
7		DT Part No. HRCXXX00N2147S
8		DT Part No. HCCXXX00S2216S
9		DT Part No. HSBXXX00N2453S
10		DT Part No. HSBXXX00N2148S
11		DT Part No. HSBXXX00N1468S
12		DT Part No. HWYAAAX00S3382S
12		DT Part No. HWYAAAX00S3188S
13		DT Part No. HWYXXX00S2479S
13		DT Part No. N/A
14		DT Part No. HWYXXX00S2477S
14		DT Part No. N/A
15		DT Part No. HWYXXX00S2480S
16		DT Part No. HWGXXX0001528S
16		DT Part No. HWGXXX00S3115S
17		DT Part No. N/A
17		DT Part No. HWGXXX00S3382S
17		DT Part No. HWGXXX0002193C
17		DT Part No. HWGXXX00S3188S

## MAXLE AND QUICK RELEASE

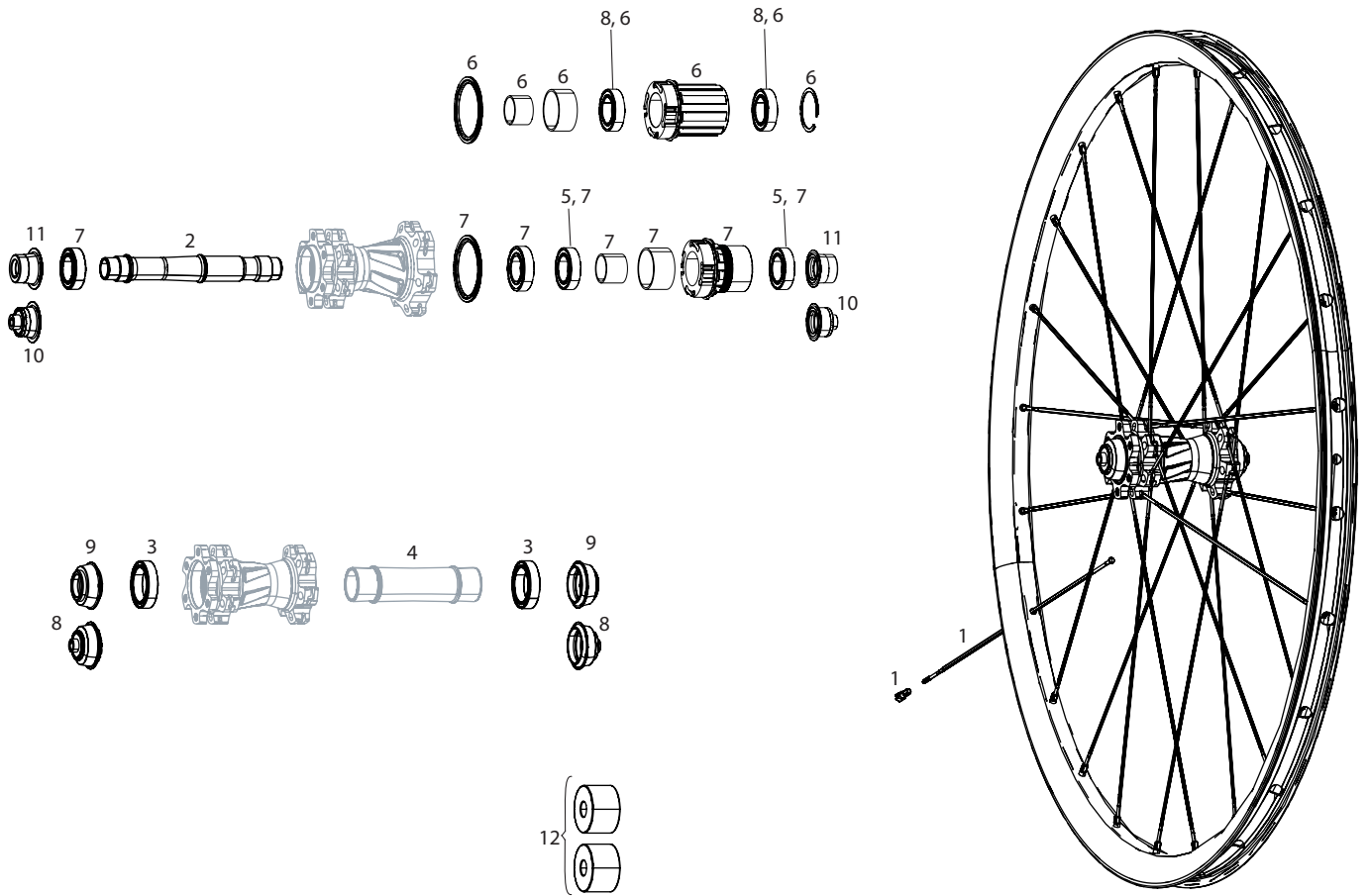
NO.	PART NUMBER	DESCRIPTION
ns	00.4318.005.001	AXLE MAXLE ULTIMATE FRONT MTB, 15X100, LENGTH 148MM, THREADLENGTH 9MM, THREAD PITCH M15X1.50 - PIKE, RS1, LYRIK B1, YARI
ns	00.4318.005.018	AXLE MAXLE LITE FRONT MTB, 15X100, LENGTH 148MM, THREAD LENGTH 9MM, THREAD PITCH M15X1.50 - SID/REBA/REVELATION/RECON/SEKTOR/XC32

## TOOLS AND GREASE

NO.	PART NUMBER	DESCRIPTION
13	00.1918.177.010	BEARING PRESS TOOL 23X32X7, FRONT HUB - X0 HUBS/900 HUBS/RISE 60 (B1)/ROAM 30/ROAM 40/ROAM 60(B1)/RAIL 40/RISE XX
14	00.1918.177.040	BEARING PRESS TOOLS 6903/63803D28, REAR HUB - X0 HUBS/900 HUBS/RISE 60 (B1)/ROAM 30/ROAM 40/ROAM 60(B1)/ RAIL 40/RISE XX
ns	00.4318.008.000	GREASE SRAM BUTTER 20ML SYRINGE, FRICTION REDUCING GREASE BYSLICKOLEUM - DOUBLE TIME HUB PAWLS, FORKS & REVERB SERVICE
ns	00.4318.008.003	GREASE SRAM BUTTER 500ML CONTAINER, FRICTION REDUCING GREASEBY SLICKOLEUM - RECOMMENDED FOR SRAM DOUBLE TIME HUBS & WHEELS, ROCKSHOX FORKS AND REVERB SERVICE

# WHEELS - RAIL 40 (2015-2016) A1

WH-RAIL-40-A1



**NOTES:**

- 1. Rail 40 wheels use Double Time hub internals.
- 2. See Maxle page for complete list of Maxle options

NO.	PART NUMBER	DESCRIPTION
ns	00.1918.126.005	TUBELESS KIT INCLUDES 28MM TAPE, 2 UNIVERSAL VALVES & 1 VALVE CORE WRENCH (FITS 23MM INNER WIDTH RIMS, RAIL [A1]/ ROAM 50[B1]WHEELS)
ns	00.1918.325.000	TUBELESS UNIVERSAL VALVE, REMOVABLE VALVE CORE (INCLUDES 1 TUBELESS VALVE & 1 VALVE CORE WRENCH) - SRAM MTB WHEELS
2	11.1918.002.013	WHEEL AXLE - REAR - X0 HUBS/RISE 60 (B1)/ROAM30/ROAM 40/RAIL40/RISE XX/ ROAM 50/60 B1
3	11.1918.003.030	WHEEL HUB BEARINGS - FRONT DOUBLE TIME (INCLUDES 2-23327) - X0 HUBS/RISE 60 (B1)/ROAM 30/ROAM 40/ROAM 50/60(B1)/RAIL 40
4	11.1918.003.040	WHEEL HUB BEARINGS - REAR DOUBLE TIME (INCLUDES 1-6903/61903 & 1-63803D28) - X0 HUBS/RISE 60 (B1)/ROAM 30/ROAM 40/ROAM 50/60 (B1)/RAIL 40
5	11.1918.003.050	WHEEL HUB BEARINGS - FREEHUB DOUBLE TIME (INCLUDES 2-63803D28) -X0 HUBS/RISE60 (B1)/ROAM 30/ROAM 40/ROAM 50/60 (B1)/RAIL40
6	11.1918.000.011	WHEEL FREEHUB KIT - (INCLUDES BEARINGS & PAWLS) 9/10 SPEED -X0HUBS/RISE 60 (B1)/ROAM 30/ROAM 40/RAIL 40/RISE XX/ROAM 50 /60 (B1)
7	11.1918.000.012	WHEEL FREEHUB KIT - (INCLUDES BEARINGS & PAWLS) XD X0 HUBS/RISE 60 (B1)/ROAM 30/ROAM 40/RAIL 40/RISE XX/ROAM 50/60 (B1)

# WHEELS - RAIL 40 (2015-2016) A1

WH-RAIL-40-A1

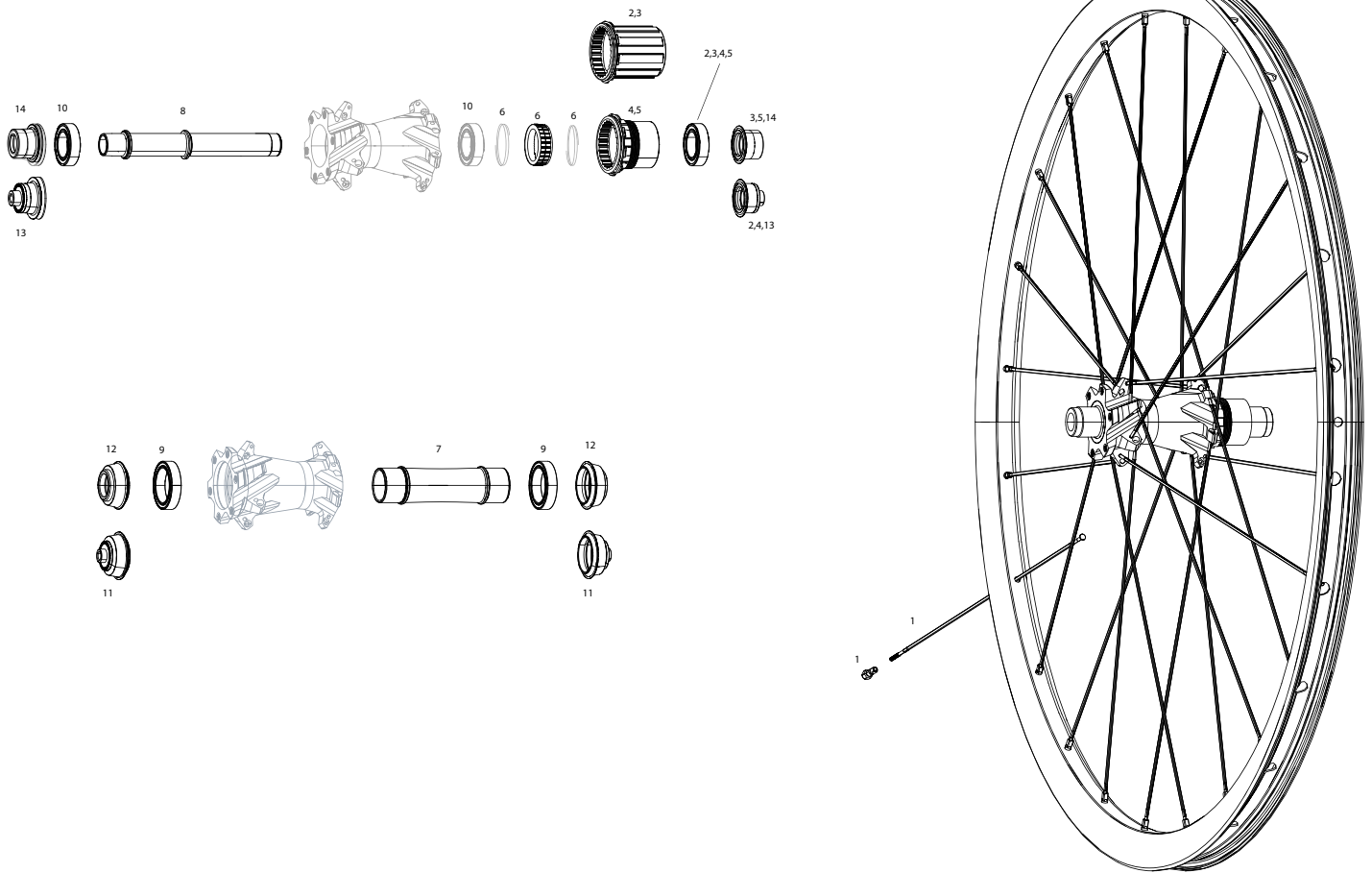


NO.	PART NUMBER	DESCRIPTION
8	00.1918.145.000	CONVERSION CAPS HUB DOUBLE TIME FRONT, 9X100 QR 19MM STANDARD
9	00.1918.145.002	CONVERSION CAPS HUB DOUBLE TIME FRONT, 15X100MM THROUGH AXLE
ns	00.1918.145.003	CONVERSION CAPS HUB DOUBLE TIME FRONT, 20X110 THROUGH AXLE
9	00.1918.145.011	CONVERSION CAPS HUB DOUBLE TIME FRONT, 15X100/15X110 BOOST,31MM THROUGH AXLE,TORQUE CAP ROCKSHOX FORKS
10	00.1918.145.004	CONVERSION CAPS HUB DOUBLE TIME REAR, 10X135 QR, FITS 9/10 SPEED DRIVER BODY
10	00.1918.145.006	CONVERSION CAPS HUB DOUBLE TIME REAR, 10X135 QR, FITS XD/XD-R DRIVER BODIES
11	00.1918.145.007	CONVERSION CAPS HUB DOUBLE TIME REAR, 12X142/12X157 X0 DH/12X148 BOOST, FITS XD/XD-R DRIVER BODIES
11	00.1918.145.010	CONVERSION CAPS HUB DOUBLE TIME REAR, 12X142/12X157 X0 DH/12X148 BOOST, THROUGH AXLE,9/10 SPEED DRIVER BODY
11	00.1918.145.012	CONVERSION CAPS HUB DOUBLE TIME REAR - 12X135, 12X150 X0 DHTHROUGH AXLE, FITS XD/XD-R DRIVER BODIES - X0HUBS/900HUBS/RISE60 (B1)/ROAM30/ROAM40/ROAM50/60(B1)/RAIL40/RISEXX
ns	00.4318.005.001	AXLE MAXLE ULTIMATE FRONT MTB, 15X100, LENGTH 148MM, THREADLENGTH 9MM, THREAD PITCH M15X1.50 - PIKE, RS1, LYRIK B1, YARI
ns	00.4318.005.002	AXLE MAXLE LITE FRONT MTB, 15X100, LENGTH 148MM, THREAD LENGTH 9MM, THREAD PITCH M15X1.50 - SID/REBA/REVELATION/RECON/SEKTOR/XC32
12	00.1918.177.010	BEARING PRESS TOOL 23X32X7, FRONT HUB - X0 HUBS/900 HUBS/RISE 60 (B1)/ROAM 30/ROAM 40/ROAM 60(B1)/RAIL 40/RISE XX
ns	00.4318.008.000	GREASE SRAM BUTTER 20ML SYRINGE, FRICTION REDUCING GREASE BYSLICKOLEUM - DOUBLE TIME HUB PAWLS, FORKS & REVERB SERVICE



# WHEELS - RAIL 50 (2014-2016) A1

WH-RAIL-50-A1



**NOTES:**

1. RAIL 50 wheels use DT Swiss hub internals.
2. See Maxle page for complete list of Maxle options

NO.	PART NUMBER	DESCRIPTION
ns	00.1918.126.005	TUBELESS KIT INCLUDES 28MM TAPE, 2 UNIVERSAL VALVES & 1 VALVE CORE WRENCH (FITS 23MM INNER WIDTH RIMS, RAIL [A1] WHEELS)
ns	00.1918.325.000	TUBELESS UNIVERSAL VALVE, REMOVABLE VALVE CORE (INCLUDES 1TUBELESS VALVE & 1 VALVE CORE WRENCH) - SRAM MTB WHEELS
2		DT Part No. HWYABX00S1239S
3		DT Part No. HWRABX00S1239S
3		DT Part No. HWRABX00S1239S
4		DT Part No. HWYAAAX00S3115S
5		DT Part No. HWYAAAX00S3382S
5		DT Part No. HWYAAAX00S3188S
6		DT Part No. HWTXXX00NSK24S
6		DT Part No. HWDXXX00N2884S
7		DT Part No. HCCXXX00S1792S
8		DT Part No. HCCXXX00S2216S
9		DT Part No. HSBXXX00N2453S
10		DT Part No. HSBXXX00N1468S

# WHEELS - RAIL 50 (2014-2016) A1

WH-RAIL-50-A1



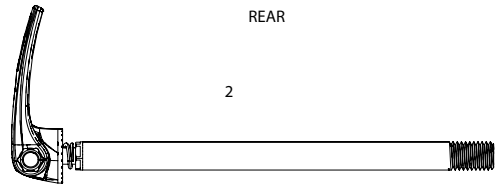
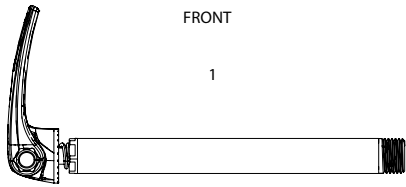
NO.	PART NUMBER	DESCRIPTION
11		DT Part No. HWYXXX00S2479S
12		DT Part No. HWYXXX00S2477S
12		DT Part No. HWYXXX00S2480S
13		DT PartNo. HWGXXX0001528S
13		DT Part No. HWGXXX00S3115S
14		DT Part No. N/A
14		DT Part No. HWGXXX00S3382S
14		DT Part No. HWGXXX0002193C
14		DT Part No. HWGXXX00S3188S
ns	00.4318.005.001	AXLE MAXLE ULTIMATE FRONT MTB, 15X100, LENGTH 148MM, THREAD LENGTH 9MM, THREAD PITCH M15X1.50 - PIKE, RS1, LYRIK B1, YARI
ns	00.4318.005.002	AXLE MAXLE LITE FRONT MTB, 15X100, LENGTH 148MM, THREAD LENGTH 9MM, THREAD PITCH M15X1.50 - SID/REBA/REVELATION/RECON/SEKTOR/XC32
ns	00.4318.005.018	AXLE MAXLE STEALTH FRONT MTB, 15X100, LENGTH 148MM, THREAD LENGTH 9MM, THREAD PITCH M15X1.50 (NOT COMPATIBLE WITH RS-1) - STANDARD
SEE ALSO MAXLE PAGE		
ns	00.4318.008.000	GREASE SRAM BUTTER 20ML SYRINGE, FRICTION REDUCING GREASE BYSLICKOLEUM - DOUBLE TIME HUB PAWLS, FORKS & REVERB SERVICE

# MAXLE

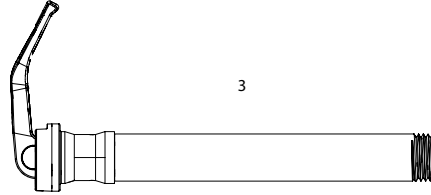
FRONT

REAR

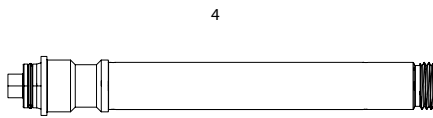
MAXLE ULTIMATE



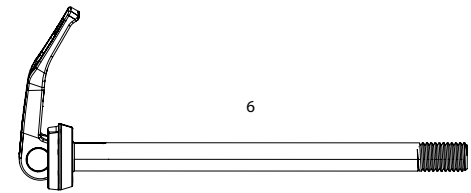
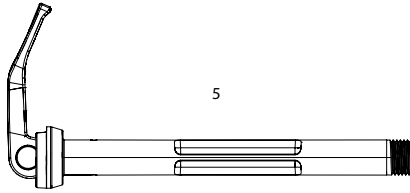
MAXLE LITE 20X110



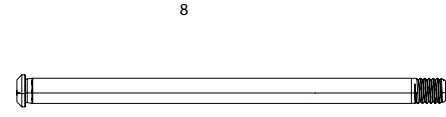
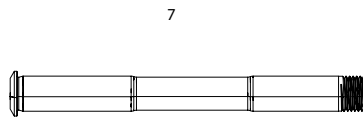
MAXLE DH



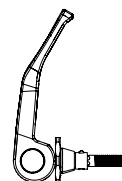
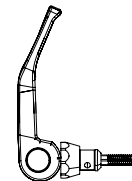
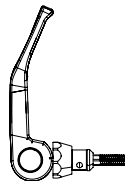
MAXLE LITE



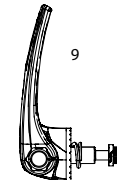
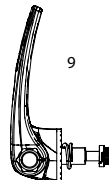
MAXLE STEALTH



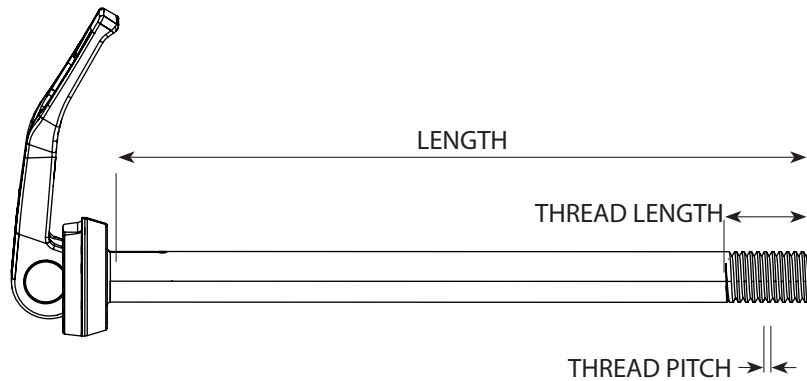
MAXLE LITE LEVER



MAXLE ULTIMATE LEVER



# MAXLE

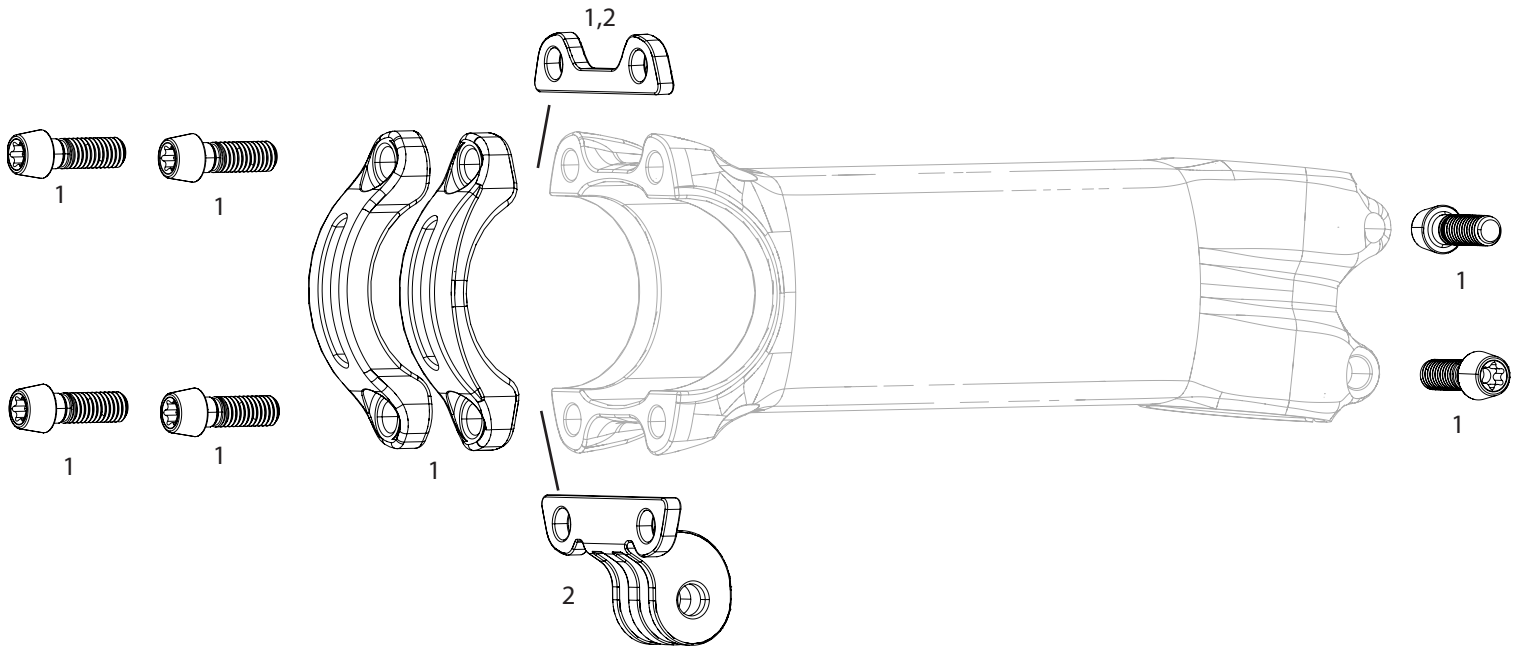


**Note:**

1. Rear Maxle requires compatible bicycle frame/drop-out.
2. Rear Maxle Lite or Ultimate lever and internals are NOT compatible with original Rear Maxle.

NO.	PART NUMBER	DESCRIPTION
1	00.4318.005.001	AXLE MAXLE ULTIMATE FRONT MTB, 15X100, LENGTH 148MM, THREAD LENGTH 9MM, THREAD PITCH M15X1.50 - PIKE, RS1, LYRIK B1, YARI
1	00.4318.005.007	AXLE MAXLE ULTIMATE FRONT MTB, 15X110, LENGTH 158MM, THREAD LENGTH 9MM, THREAD PITCH M15X1.50 - PIKE, LYRIK B1, YARI BOOST COMPATIBLE
1	00.4318.005.006	AXLE MAXLE ULTIMATE FRONT ROAD, 15X100, LENGTH 125MM, THREAD LENGTH 9MM, THREAD PITCH M15X1.50 - ROAD
1	00.4318.005.005	AXLE MAXLE ULTIMATE FRONT ROAD, 12X100, LENGTH 125MM, THREAD LENGTH 12MM, THREAD PITCH M12X1.50 - ROAD
2	00.4318.005.008	AXLE MAXLE ULTIMATE REAR MTB, 12X135, LENGTH 167MM, THREAD LENGTH 20MM, THREAD PITCH M12X1.75 - STANDARD
2	00.4318.005.009	AXLE MAXLE ULTIMATE REAR MTB, 12X142, LENGTH 174MM, THREAD LENGTH 20MM, THREAD PITCH M12X1.75 - STANDARD
2	00.4318.005.010	AXLE MAXLE ULTIMATE REAR MTB, 12X148, LENGTH 180MM, THREAD LENGTH 20MM, THREAD PITCH M12X1.75 - BOOST COMPATIBLE
2	00.4318.005.011	AXLE MAXLE ULTIMATE REAR MTB, 12X150, LENGTH 182MM, THREAD LENGTH 20MM, THREAD PITCH M12X1.75 - STANDARD
2	00.4318.005.012	AXLE MAXLE ULTIMATE REAR MTB, 12X148, LENGTH 188MM, THREAD LENGTH 20MM, THREAD PITCH M12X1.75 - BOOST COMPATIBLE
2	00.4318.005.015	AXLE MAXLE ULTIMATE REAR MTB, 12X197, LENGTH 229MM, THREAD LENGTH 20MM, THREAD PITCH M12X1.50- FAT BIKE CUSTOM
4	00.4315.013.040	AXLE MAXLE DH FRONT MTB 20X110 LENGTH 165MM THREAD LENGTH 9MM THREAD PITCH M20X2.0 - 35MM CHASSIS
5	00.4318.005.002	AXLE MAXLE LITE FRONT MTB, 15X100, LENGTH 148MM, THREAD LENGTH 9MM, THREAD PITCH M15X1.50 - SID/REBA/REVELATION/RECON/SEKTOR/XC32
5	00.4318.005.003	AXLE MAXLE LITE FRONT MTB, 15X150, LENGTH 198MM, THREAD LENGTH 9MM, THREAD PITCH M15X1.50 - BLUTO A1
5	00.4318.005.004	AXLE MAXLE LITE FRONT MTB, 15X110, LENGTH 158MM, THREAD LENGTH 9MM, THREAD PITCH M15X1.50 BOOST COMPATIBLE - SID/REBA
6	00.4315.015.030	AXLE MAXLE LITE REAR 12X150, LENGTH 182MM, THREAD LENGTH 20MM, THREAD PITCH M12X1.75 - STANDARD
7	00.4318.005.016	AXLE MAXLE STEALTH FRONT ROAD, 12X100, LENGTH 125MM, THREAD LENGTH 12MM, THREAD PITCH M12X1.50 - ROAD
7	00.4318.005.017	AXLE MAXLE STEALTH FRONT ROAD, 15X100, LENGTH 125MM, THREAD LENGTH 9MM, THREAD PITCH M15X1.50 ROAD
7	00.4318.005.018	AXLE MAXLE STEALTH FRONT MTB, 15X100, LENGTH 148MM, THREAD LENGTH 9MM, THREAD PITCH M15X1.50 (NOT COMPATIBLE WITH RS-1) STANDARD
7	00.4318.005.019	AXLE MAXLE STEALTH FRONT MTB, 15X110, LENGTH 158MM, THREAD LENGTH 9MM, THREAD PITCH M15X1.50 - BOOST COMPATIBLE
7	00.4318.005.020	AXLE MAXLE STEALTH FRONT MTB, 15X150, LENGTH 198MM, THREAD LENGTH 9MM, THREAD PITCH M15X1.50 - BLUTO
8	00.4318.005.021	AXLE MAXLE STEALTH FRONT ROAD, 12X100, LENGTH 118.5MM, THREAD LENGTH 9MM, THREAD PITCH M12X1.5 - ROAD FORKS
8	00.4318.005.022	AXLE MAXLE STEALTH REAR MTB, 12X142, LENGTH 160MM, THREAD LENGTH 20MM, THREAD PITCH M12X1.5 - ROAD FRAMES
8	00.4318.005.023	AXLE MAXLE STEALTH REAR MTB, 12X142, LENGTH 164MM, THREAD LENGTH 10MM, THREAD PITCH M12X1.5 - STANDARD FRAMES
8	00.4318.005.024	AXLE MAXLE STEALTH REAR MTB, 12X142, LENGTH 167MM, THREAD LENGTH 20MM, THREAD PITCH M12X1.0 - SANTA CRUZ, SCOTT FRAMES
8	00.4318.005.025	AXLE MAXLE STEALTH REAR MTB, 12X148, LENGTH 170MM, THREAD LENGTH 10MM, THREAD PITCH M12X1.5 - BOOST E-THRU INTERFACE FRAMES
8	00.4318.005.026	AXLE MAXLE STEALTH REAR MTB, 12X142, LENGTH 170.5MM, THREAD LENGTH 14MM, THREAD PITCH M12X1.5 - GIANT FRAMES
8	00.4318.005.027	AXLE MAXLE STEALTH REAR MTB, 12X142, LENGTH 174MM, THREAD LENGTH 20MM, THREAD PITCH M12X1.75 - STANDARD FRAMES
8	00.4318.005.028	AXLE MAXLE STEALTH REAR MTB, 12X148, LENGTH 180MM, THREAD LENGTH 20MM, THREAD PITCH M12X1.75 - BOOST FRAMES
8	00.4318.005.029	AXLE MAXLE STEALTH REAR MTB, 12X148, LENGTH 188MM, THREAD LENGTH 20MM, THREAD PITCH M12X1.75 - BOOST SPLIT PIVOT FRAMES
8	00.4318.005.030	AXLE MAXLE STEALTH REAR MTB, 12X148, LENGTH 195MM, THREAD LENGTH 20MM, THREAD PITCH M12X1.75 - BOOST TREK ABP FRAMES
8	11.4318.004.001	AXLE MAXLE - LITE 15MM XC LEVER ASSEMBLY
9	11.4318.004.000	AXLE MAXLE - ULTIMATE LEVER ASSEMBLY B1

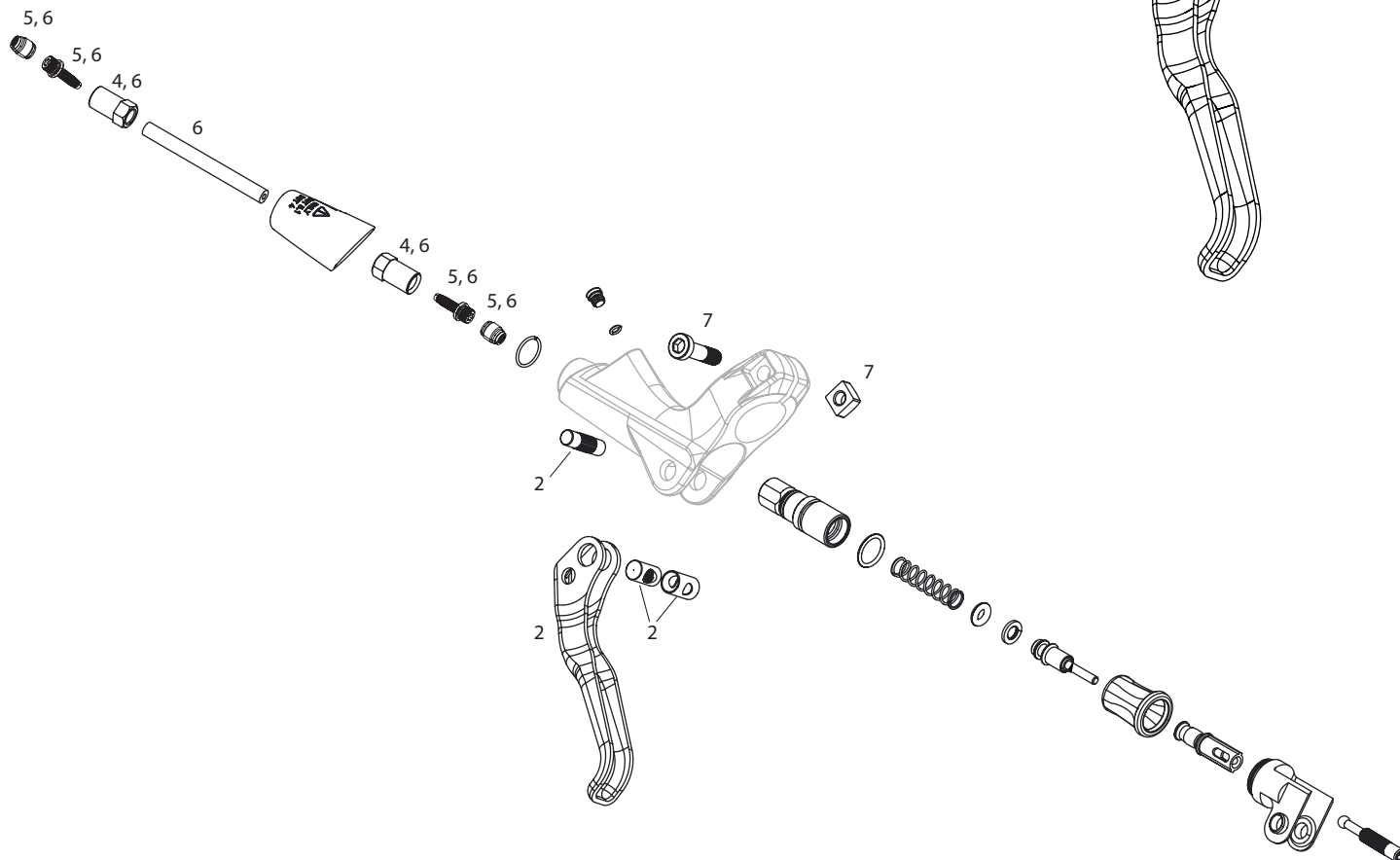
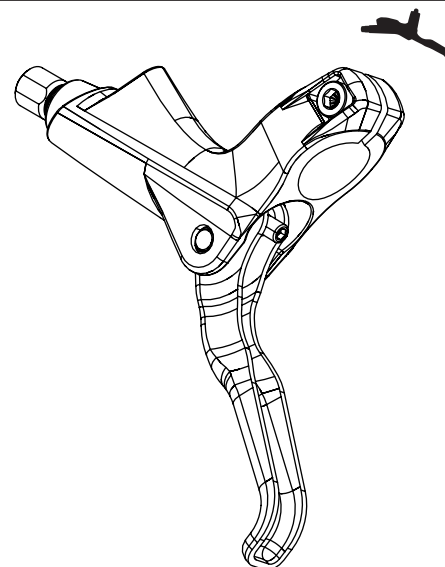
ATMOS - Stem  
ST-ATMS-7K1-A1



NO.	PART NUMBER	DESCRIPTION
1	11.6518.026.000	STEM BOLT AND CLAMP KIT TRUVATIV ATMOS (BLACK TORX BOLTS 4PCS M5x18, 2PCS M5X15, CLAMPS & SPACER)
2	11.6518.026.001	COMBO MOUNT FOR ATCION CAMERA OR FRONTLIGHT (FOR TRUVATIV ATMOS STEMS ONLY)

# DB 1 - HYDRAULIC DISC BRAKE - LEVERS A1 (2015-2016)

DB-DB1-A1



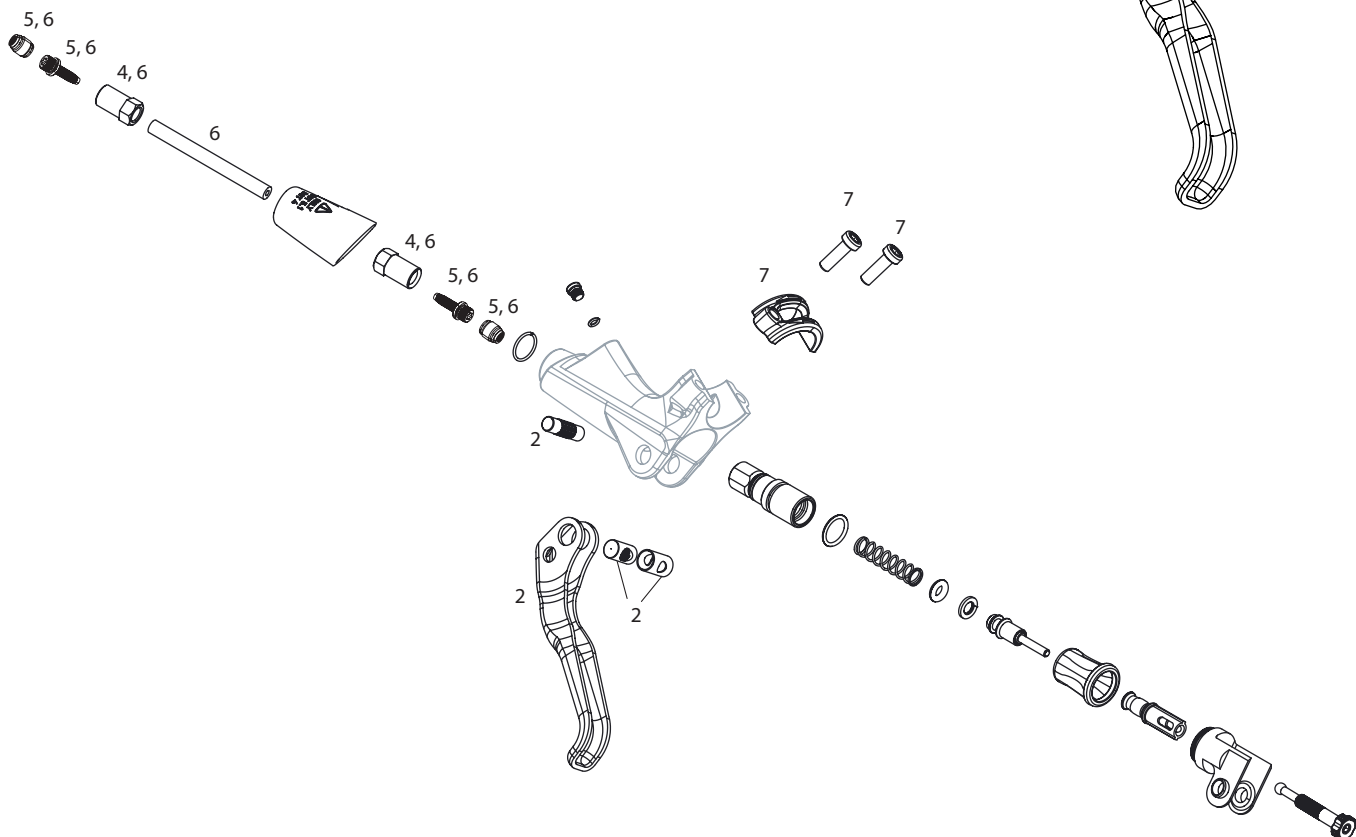
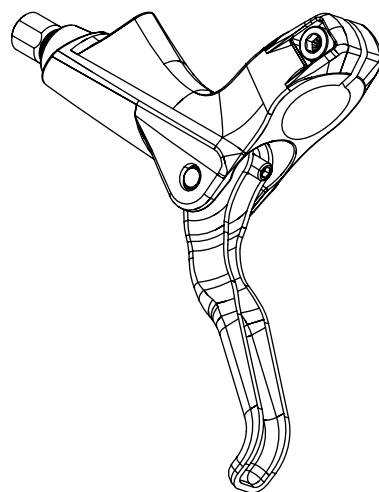
**Notes:**

1. Lever Internals kit is pre-assembled

NO.	PART NUMBER	
<b>LEVER SPARES</b>		
2	11.5018.003.007	DISC BRAKE LEVER BLADE KIT - ALUMINUM BLACK (INCLUDES BLADE,PIN & BUSHINGS) - DB1/DB3 A1
<b>HYDRAULIC LINES &amp; FITTING</b>		
4	11.5309.766.000	DISC BRAKE COMPRESSION HOSE NUT - (QTY 5)
5	11.5378.803.004	DISC BRAKE HOSE FITTING KIT - (INCLUDES 1 THREADED HOSE BARB, 1 RED COMP FITTING) - AVID & SRAM BRAKES
6	00.5318.036.000	Disc Brake Hydraulic Hose Kit-DoubleCompression 2000mmBlk-CodeR,Elixir1/3,Juicy3,DB 1/3,Level 2P ULT/SLV/TLM/TL/T/4PBZR(B1+),GuideRE,G2RE/RS/R,DB8,Red,Force,Rival(2P)eTapAXS, MAVEN BRZ (A1)
<b>LEVER CLAMPS</b>		
7	11.5018.019.000	DISC BRAKE LEVER CLAMP BOLT KIT - (INCLUDES BOLT & SQUARE NUT) - DB1/LEVEL

# DB 3 - HYDRAULIC DISC BRAKE - LEVERS A1 (2015-2016)

DB-DB3-A1

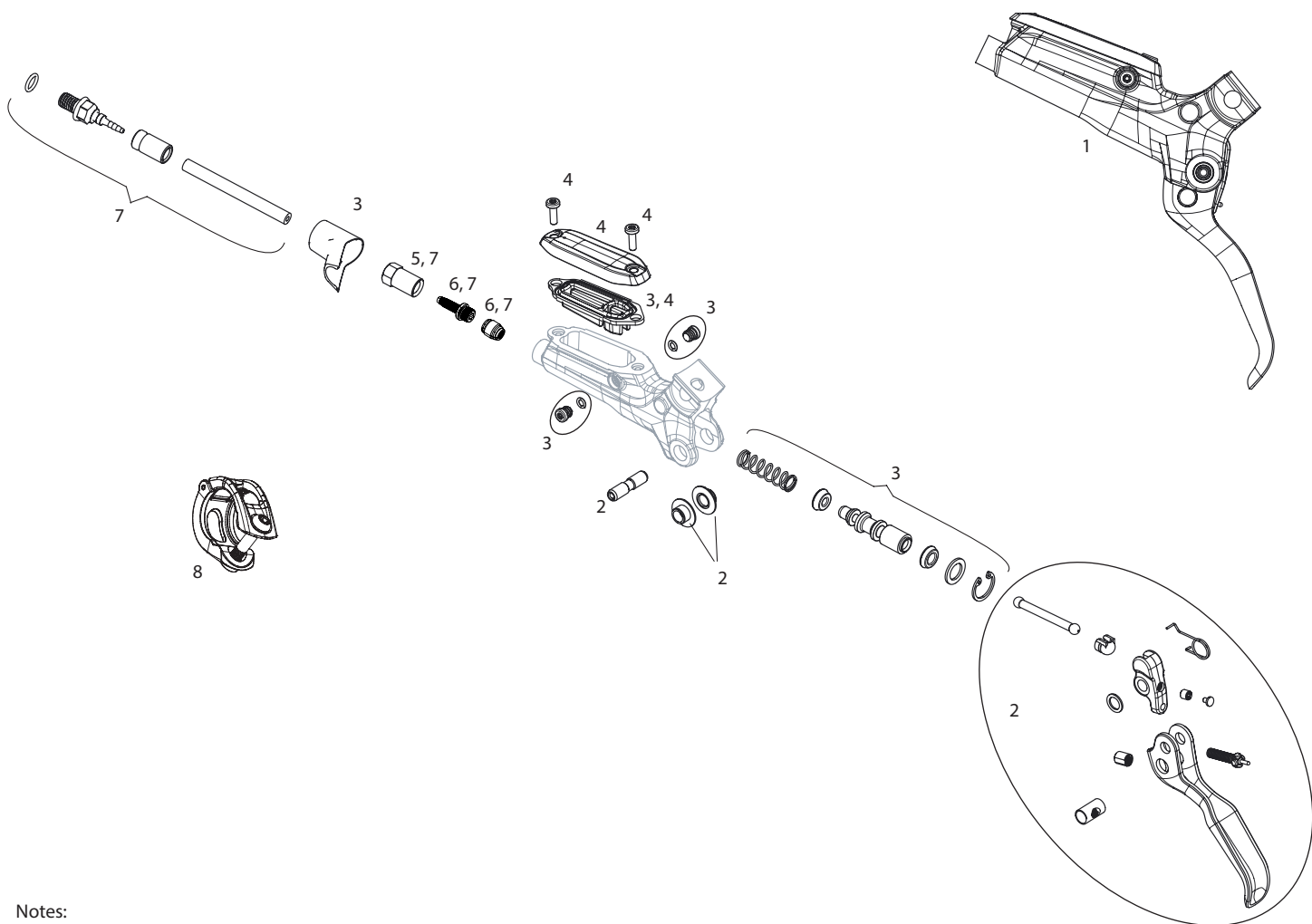


Notes:  
1. Lever Internals kit is pre-assembled

NO.	PART NUMBER	DESCRIPTION
LEVER SPARES		
2	11.5018.003.007	DISC BRAKE LEVER BLADE KIT - ALUMINUM BLACK (INCLUDES BLADE,PIN & BUSHINGS) - DB1/DB3 A1
HYDRAULIC LINES & FITTING		
4	11.5309.766.000	DISC BRAKE COMPRESSION HOSE NUT - (QTY 5)
5	11.5378.803.004	DISC BRAKE HOSE FITTING KIT - (INCLUDES 1 THREADED HOSE BARB, 1 RED COMP FITTING) - AVID & SRAM BRAKES
6	00.5318.036.000	Disc Brake Hydraulic Hose Kit-DoubleCompression 2000mmBlk-CodeR,Elixir1/3,Juicy3,DB 1/3,Level 2P ULT/SLV/TLM/TL/T/4PBZR(B1+),GuideRE,G2RE/RS/R,DB8,Red,Force,Rival(2P)eTapAXS, MAVEN BRZ (A1)
LEVER CLAMPS		
7	11.5015.029.030	DISC BRAKE LEVER CLAMP - SPLIT CLAMP BLACK (INCLUDES CLAMP & BOLTS) - ELIXIR 5/3,DB 3/1/LEVEL T/GUIDE T

# DB5 - HYDRAULIC DISC BRAKE - LEVERS A1 (2015-2016)

DB-DB5-A1



**Notes:**

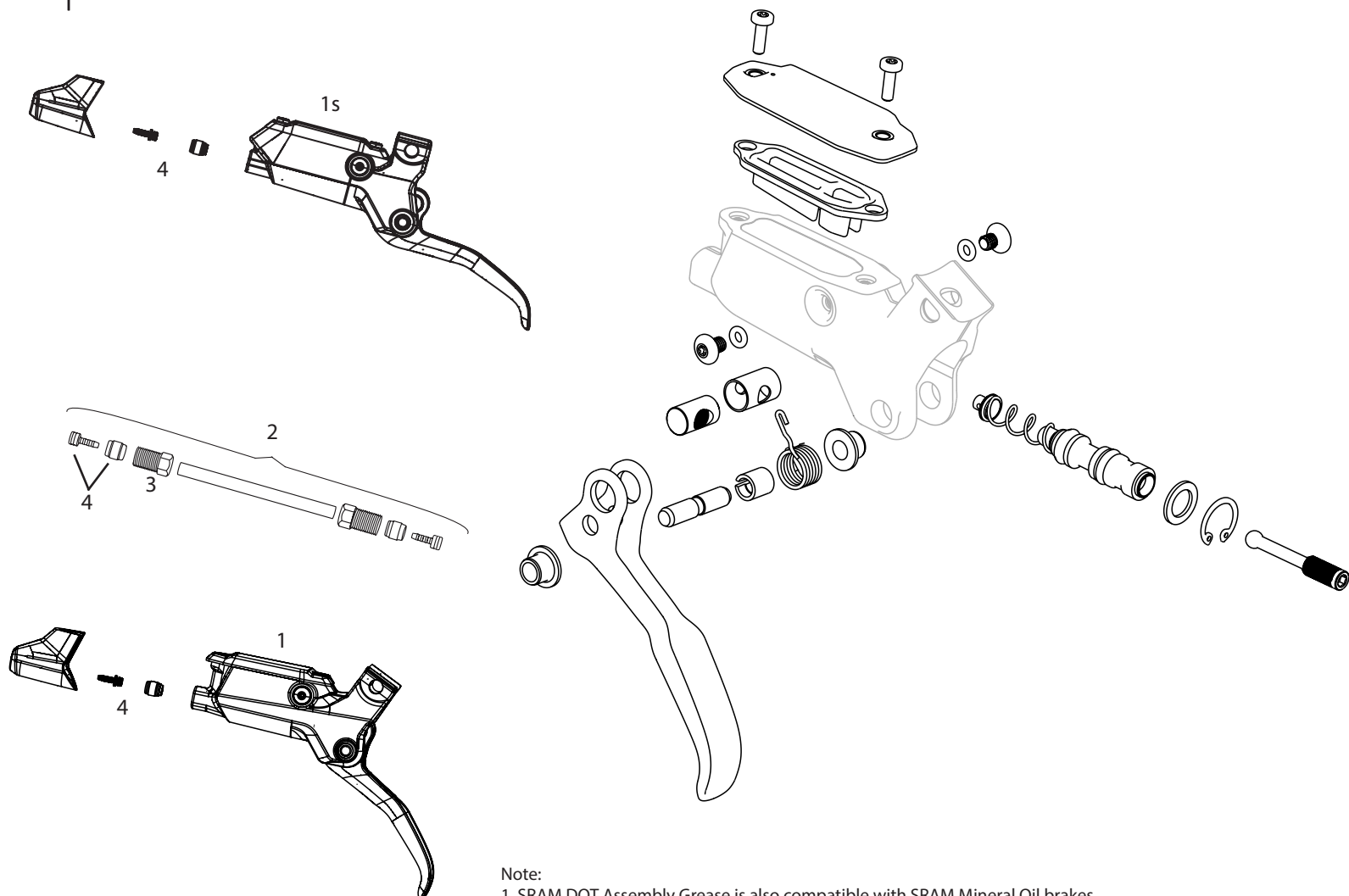
- 1. Lever Internals kit is pre-assembled
- 2. In OEM piston assembly is Stealth-a-majig ; piston assembly AM is non-stealth-a-majig and compatible.

NO.	PART NUMBER	DESCRIPTION
<b>LEVER SPARES</b>		
1	11.5018.046.010	DISC BRAKE LEVER ASSEMBLY - ALUMINUM LEVER (ASSEMBLED, NO HOSE, INCLUDES BARB & OLIVE) VERSION 2 BLACK - LEVEL TL (TOOLED, LIGHT)
2	11.5018.003.008	DISC BRAKE LEVER BLADE KIT - ALUMINUM BLACK (INCLUDES BLADE,PIN, REACH KNOB, CAM & BUSHINGS) - DB5
3	11.5018.005.008	DISC BRAKE LEVER INTERNALS/SERVICE KIT - (INCLUDES PISTON ASSEMBLY, BLADDER & SPRING) - VERSION 2 GUIDE R/RE/DB5/ CODE R/G2 R
4	11.5018.022.000	DISC BRAKE LEVER RESERVOIR CAP KIT - (INCLUDES RESERVOIR CAP, BLADDER & HARDWARE) - GUIDE R/RE/RS/RSC/ULTIMATE/DB5
<b>HYDRAULIC LINES &amp; FITTING</b>		
5	11.5309.766.000	DISC BRAKE COMPRESSION HOSE NUT - (QTY 5)
6	11.5378.803.004	DISC BRAKE HOSE FITTING KIT - (INCLUDES 1 THREADED HOSE BARB, 1 RED COMP FITTING) - AVID & SRAM BRAKES
7	00.5318.037.000	Disc Brake Hydraulic Hose Kit - Threaded Inline Crimp -2000mmBlk (inc. crimp, fittings) - Elixir 5/7/9/R/CR/X0,Guide RSC (A1),Guide R/RS (A1),DB5,Level TL/BRZ 2P
<b>LEVER CLAMPS</b>		
8	11.5315.048.050	DISC BRAKE LEVER CLAMP - (MMX) SILVER (STAINLESS STEEL BOLTT25) - G2 (A1), GUIDE (A1-B1), LEVEL ULT/TLM/TL, CODE RSC/R, DB5 ELIXIR 9/7/CR MAG/X0/ XX, QTY 1
8	11.5315.048.070	DISC BRAKE LEVER CLAMP - (MMX) BLACK (STAINLESS STEEL BOLT T25) - G2 (A1), GUIDE (A1-B1),LEVEL ULT/TLM/TL, CODE RSC/R, DB5 ELIXIR 9/7/CR MAG/X0/ XX, QTY 1
8	11.5315.048.080	DISC BRAKE LEVER CLAMP - (MMX) BLACK (TI BOLT T25) - G2 (A1), GUIDE (A1-B1), LEVEL ULT/TLM/TL, CODE RSC/R,DB5 ELIXIR9/7/ CR MAG/X0/ XX, QTY 1



# DB8 - HYDRAULIC DISC BRAKE - LEVERS A1 (2023+)

DB-DB8-A1, DB-DB8-B1

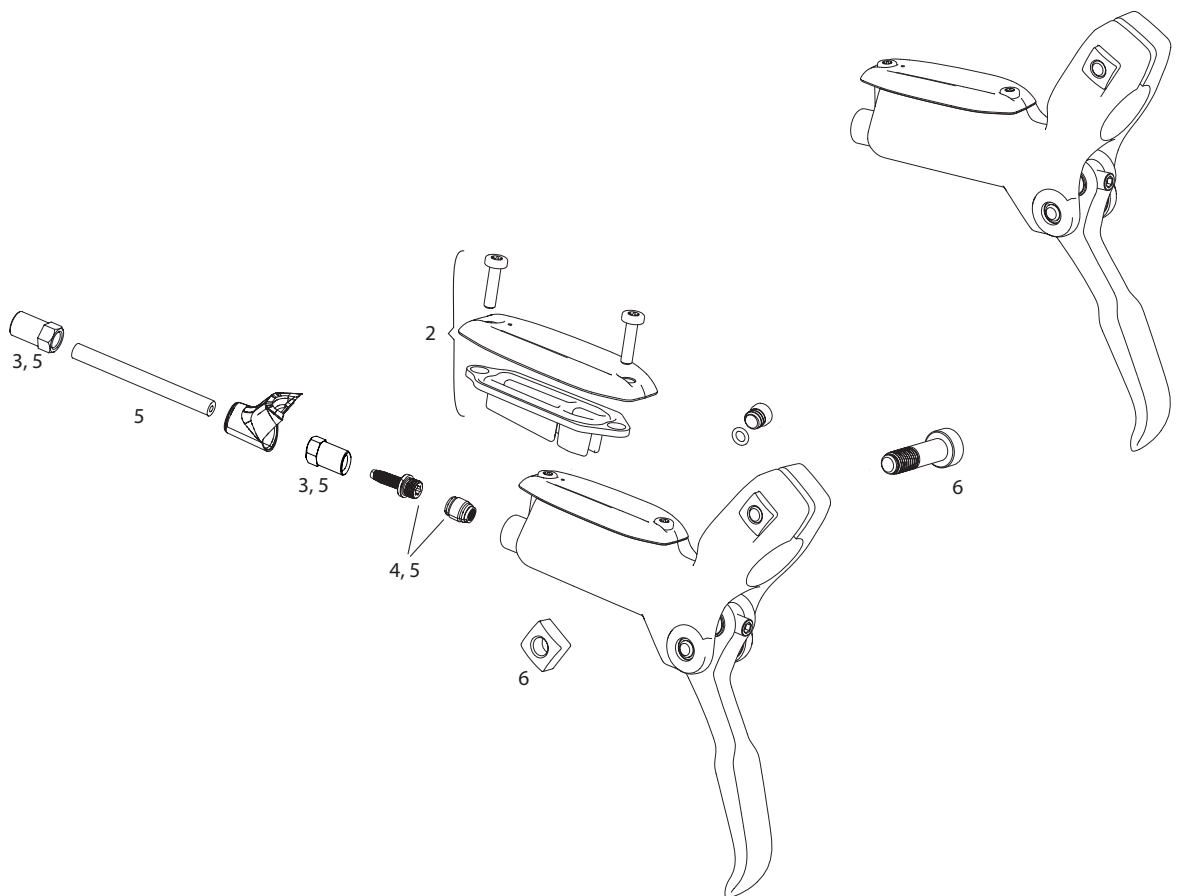


Note:  
1. SRAM DOT Assembly Grease is also compatible with SRAM Mineral Oil brakes.

NO.	PART NUMBER	DESCRIPTION
<b>LEVER SPARES</b>		
1	11.5018.052.013	DISC BRAKE LEVER ASSEMBLY - ALUMINUM LEVER (ASSEMBLED, NO HOSE) DIFFUSION BLACK ANO - MINERAL FLUID BRAKE - DB8 (A1)
1s	11.5018.052.023	DISC BRAKE LEVER ASSEMBLY - ALUMINUM LEVER (ASSEMBLED, NO HOSE, INCLUDES BARB, OLIVE, BOOT) DIFFUSION BLACK ANO - DB8 STEALTH B1 (2025+)
<b>HYDRAULIC LINES &amp; FITTING</b>		
2	00.5318.036.000	Disc Brake Hydraulic Hose Kit-DoubleCompression 2000mmBlk-CodeR,Elixir1/3,Juicy3,DB 1/3,Level 2P ULT/SLV/TLM/TL/T/4PBZR(B1+),GuideRE,G2RE/RS/R,DB8,Red,Force,Rival(2P)eTapAXS, MAVEN BRZ (A1)
3	11.5309.766.000	DISC BRAKE COMPRESSION HOSE NUT - (QTY 5)
4	11.5378.803.004	DISC BRAKE HOSE FITTING KIT - (INCLUDES 1 THREADED HOSE BARB, 1 RED COMP FITTING) - AVID & SRAM BRAKES
<b>LEVER CLAMPS</b>		
ns	00.5318.042.000	Disc Brake Lever Clamp - Hinge-Clamp Black (includes - Stainless T25 Black Bolt) Qty 1 - Code, G2, Guide, Level, Elixir, DB
ns	00.5315.018.052	MatchMaker X, Pair, Black, Stainless T25 Black Bolts (compatible with SRAM MMX-compatible shifters) - Code, G2, Guide, Level, Elixir, DB, Maven
ns	00.5315.018.053	MatchMaker X, Single Left, Black, Stainless T25 Black Bolts (compatible with SRAM MMX-compatible shifters) - Code, G2, Guide, Level, Elixir, DB, Maven
ns	00.5315.018.054	MatchMaker X, Single Right, Black, Stainless T25 Black Bolts (compatible with SRAM MMX-compatible shifters) - Code, G2, Guide, Level, Elixir, DB, Maven
<b>TOOLS/GREASE/FLUIDS</b>		
ns	00.5318.031.004	Pro Mineral Oil Bleed Kit (includes 2 Premium Syringes, M4 fittings, Quarter-turn valves, bleed block, Torx tool, crowfoot, Maxima Mineral Oil) - DB8/Maven
ns	00.5318.031.006	Standard Mineral Oil Bleed Kit (includes 2 Standard Syringes, M4 fittings, Pinch Clamps, bleed block, Torx tool, crowfoot, Maxima Mineral Oil) - DB8/Maven
ns	00.5318.030.000	Maxima Mineral Oil - 4 fl oz/120ml (for SRAM Mineral Oil Brakes) - DB8/Maven
ns	00.5318.030.001	Maxima Mineral Oil - 16.9 fl oz/500ml (for SRAM Mineral Oil Brakes) - DB8/Maven
ns	00.5318.023.000	Grease SRAM DOT Assembly Grease 1oz - Recommended for LeverPistons, Hose Compression Nuts, Threaded Barbs & Olives

# LEVEL - HYDRAULIC DISC BRAKE - LEVERS A1 (2017-2020)

DB-LVL-A1



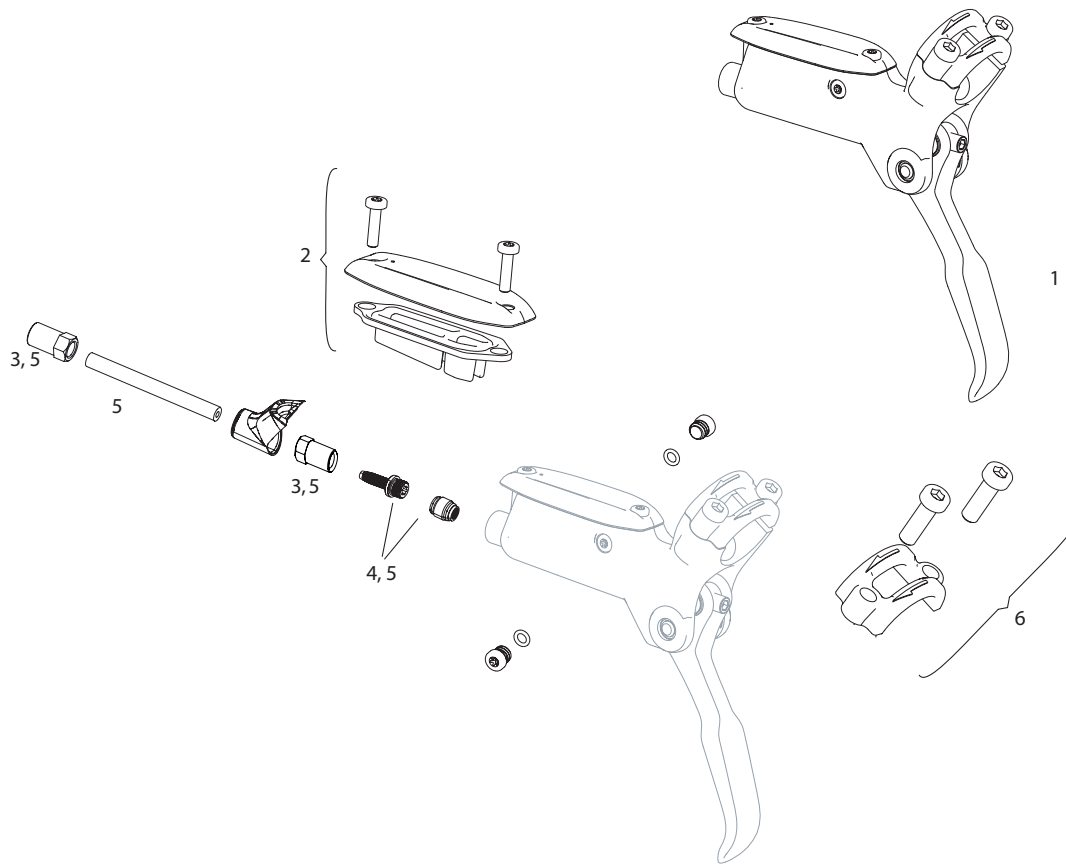
**Notes:**

- 1. Level lever replaces DB1
- 2. Level brakes use new threaded barb and olive with T8 Torx tool.

NO.	PART NUMBER	
<b>LEVER SPARES</b>		
1	11.5018.046.008	DISC BRAKE LEVER ASSEMBLY - ALUMINUM LEVER (ASSEMBLED, NO HOSE, INCLUDES BARB & OLIVE) VERSION 2 BLACK - LEVEL
2	11.5018.022.001	DISC BRAKE LEVER RESERVOIR CAP KIT - (INCLUDES RESERVOIR CAP, BLADDER & HARDWARE) - LEVEL ULTIMATE/TLM/TL/T/ LEVEL, GUIDE T
<b>HYDRAULIC LINES &amp; FITTING</b>		
4	11.5378.803.004	DISC BRAKE HOSE FITTING KIT - (INCLUDES 1 THREADED HOSE BARB, 1 RED COMP FITTING) - AVID & SRAM BRAKES
5	00.5318.036.000	Disc Brake Hydraulic Hose Kit-DoubleCompression 2000mmBlk-CodeR,Elixir1/3,Juicy3,DB 1/3,Level 2P ULT/SLV/TLM/TL/T/4PBZR(B1+),GuideRE,G2RE/RS/R,DB8,Red,Force,Rival(2P)eTapAXS, MAVEN BRZ (A1)
<b>LEVER CLAMPS</b>		
6	11.5018.019.000	DISC BRAKE LEVER CLAMP BOLT KIT - (INCLUDES BOLT & SQUARE NUT) - DB1/LEVEL

# LEVEL T / GUIDE T - HYDRAULIC DISC BRAKE - LEVERS A1 (2017-2020 / 2018-2024)

DB-LVL-T-A1 / DB-GDE-T-A1



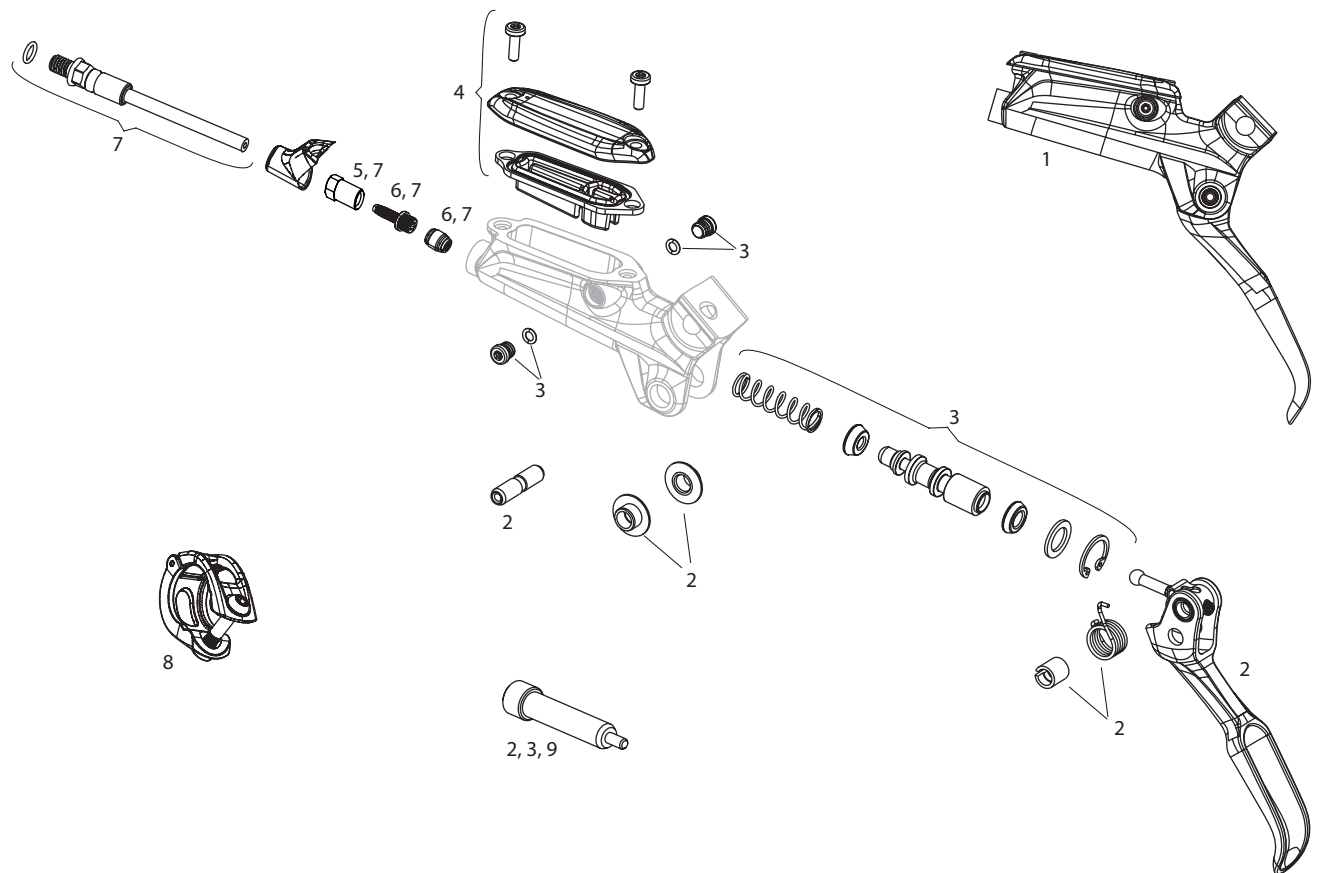
**Notes:**

- 1. Level T lever replaces DB3
- 2. T is for Toolled reach adjust.
- 3. Level brakes use new threaded barb and olive with T8 Torx tool.
- 4. Level T and Guide T lever assemblies and spare parts are interchangeable.

NO.	PART NUMBER	
<b>LEVER SPARES</b>		
1	11.5018.046.009	DISC BRAKE LEVER ASSEMBLY - ALUMINUM LEVER (ASSEMBLED, NO HOSE, INCLUDES BARB & OLIVE) VERSION 2 GLOSS BLACK - LEVEL
1	11.5018.046.019	DISC BRAKE LEVER ASSEMBLY - ALUMINUM LEVER (ASSEMBLED, NO HOSE, INCLUDES BARB & OLIVE) VERSION 2 BLACK -GUIDE T
2	11.5018.022.001	DISC BRAKE LEVER RESERVOIR CAP KIT - (INCLUDES RESERVOIR CAP, BLADDER & HARDWARE) - LEVEL ULTIMATE/TLM/TL/T/LEVEL ,GUIDE T
<b>HYDRAULIC LINES &amp; FITTING</b>		
3	11.5309.766.000	DISC BRAKE COMPRESSION HOSE NUT - (QTY 5)
4	11.5378.803.004	DISC BRAKE HOSE FITTING KIT - (INCLUDES 1 THREADED HOSE BARB, 1 RED COMP FITTING) - AVID & SRAM BRAKES
5	00.5318.036.000	Disc Brake Hydraulic Hose Kit-DoubleCompression 2000mmBlk-CodeR,Elixir1/3,Juicy3,DB 1/3,Level 2P ULT/SLV/TLM/TL/T/4PBZR(B1+),GuideRE,G2RE/RS/R,DB8,Red,Force,Rival(2P)eTapAXS, MAVEN BRZ (A1)
5	00.5318.038.000	Disc Brake Hydraulic Hose Kit - Silver Banjo -2000mmBlk (inc. banjo, fittings) - XX,Juicy5/7/,Guide R/RS/RSC/Ult (B1),Guide T(A1), G2 RSC/ULT,Level 4Piston ULT/SLV(C1), MAVEN ULT/SLV (A1)
<b>LEVER CLAMPS</b>		
6	11.5015.029.030	DISC BRAKE LEVER CLAMP - SPLIT CLAMP BLACK (INCLUDES CLAMP & BOLTS) - ELIXIR 5/3,DB 3/1/LEVEL T/GUIDE T
ns	00.5315.006.000	MATCHMAKER PAIR, BLACK (COMPATIBLE WITH ALL SPLIT CLAMP AVID & SRAM BRAKES) INTEGRATES BRAKE AND SHIFTER INTO ONE MOUNT

# LEVEL TL - HYDRAULIC DISC BRAKE - LEVERS A1 (2017-2020)

DB-LVL-TL-A1



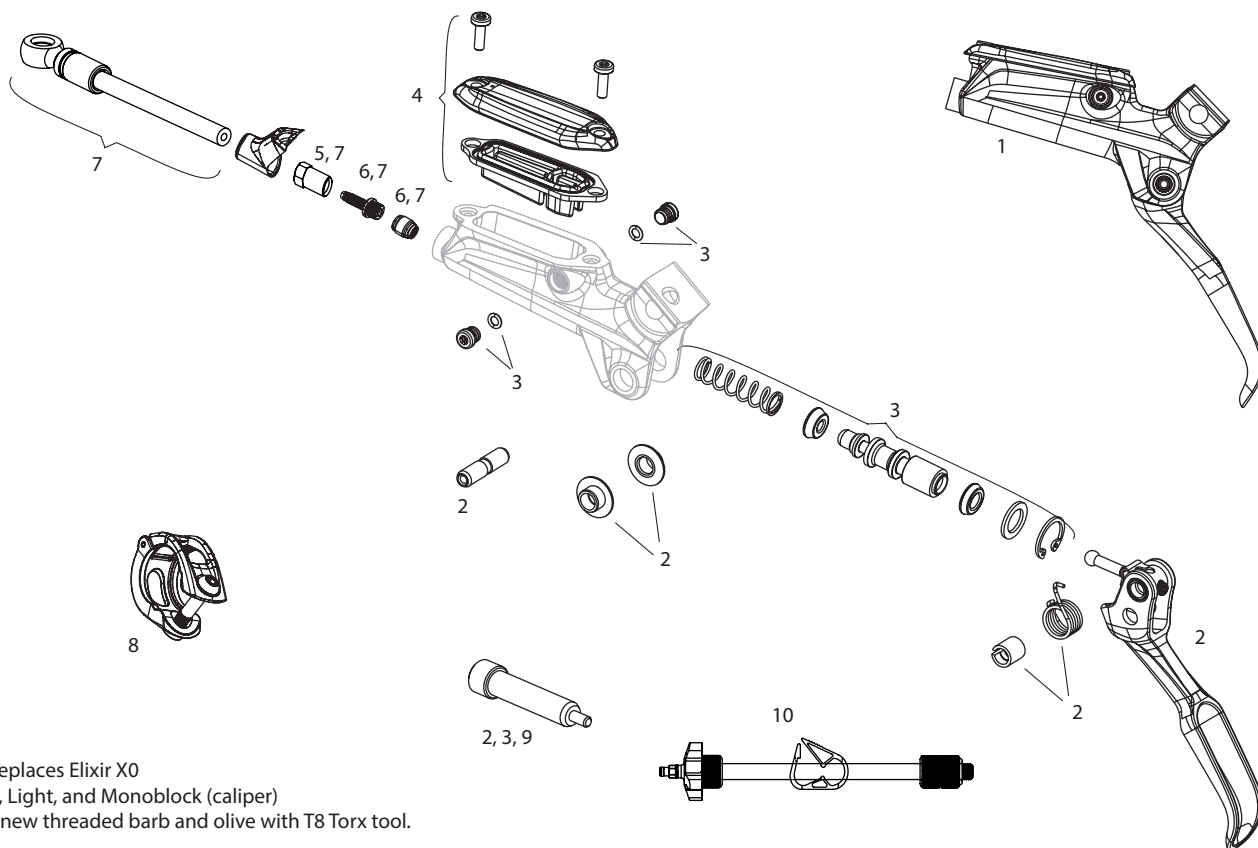
**Notes:**

- 1. Level TL lever replaces DB5
- 2. TL is for Tooled and Light
- 3. Level brakes use new threaded barb and olive with T8 Torx tool.

NO.	PART NUMBER	DESCRIPTION
<b>LEVER SPARES</b>		
1	11.5018.046.010	DISC BRAKE LEVER ASSEMBLY - ALUMINUM LEVER (ASSEMBLED, NO HOSE, INCLUDES BARB & OLIVE) VERSION 2 BLACK - LEVEL TL (TOOLED, LIGHT)
2	11.5018.003.018	DISC BRAKE LEVER BLADE KIT - ALUMINUM BLACK ( BLADE, DOWEL, PUSHROD, SPRING, CLIP & BUSHINGS) - LEVEL TL
3	11.5018.005.011	DISC BRAKE LEVER INTERNALS/SERVICE KIT - (INCLUDES PISTON ASSEMBLY, BLADDER & SPRING) - VERSION 2 LEVEL ULTIMATE/TLM/TL
4	11.5018.022.001	DISC BRAKE LEVER RESERVOIR CAP KIT - (INCLUDES RESERVOIR CAP, BLADDER & HARDWARE) - LEVEL ULTIMATE/TLM/TL/T/ LEVEL, GUIDE T
<b>HYDRAULIC LINES &amp; FITTING</b>		
5	11.5309.766.000	DISC BRAKE COMPRESSION HOSE NUT - (QTY 5)
6	11.5378.803.004	DISC BRAKE HOSE FITTING KIT - (INCLUDES 1 THREADED HOSE BARB, 1 RED COMP FITTING) - AVID & SRAM BRAKES
7	00.5318.037.000	DISC BRAKE HYDRAULIC HOSE KIT - THREADED INLINE CRIMP -2000MMBLK (INC. CRIMP & FITTINGS) - ELIXIR 5/7/9/R/CR/X0, GUIDE RSC (A1), GUIDE R/RS (A1), DB5, LEVEL TL/BRZ 2P
<b>LEVER CLAMPS</b>		
8	11.5315.048.050	DISC BRAKE LEVER CLAMP - (MMX) SILVER (STAINLESS STEEL BOLTT25) - G2 (A1), GUIDE (A1-B1), LEVEL ULT/TLM/TL, CODE RSC/R, DB5 ELIXIR 9/7/CR MAG/X0/ XX, QTY 1
8	11.5315.048.070	DISC BRAKE LEVER CLAMP - (MMX) BLACK (STAINLESS STEEL BOLT T25) - G2 (A1), GUIDE (A1-B1), LEVEL ULT/TLM/TL, CODE RSC/R, DB5 ELIXIR 9/7/CR MAG/X0/ XX, QTY 1
8	11.5315.048.080	DISC BRAKE LEVER CLAMP - (MMX) BLACK (TI BOLT T25) - G2 (A1), GUIDE (A1-B1), LEVEL ULT/TLM/TL, CODE RSC/R, DB5 ELIXIR9/7/CR MAG/X0/ XX, QTY 1
<b>TOOLS</b>		
9	00.5318.015.002	SRAM TOOL LEVER PIVOT TOOL (FOR LEVER REMOVAL & LEVER SERVICE) - LEVEL TLM/TL

# LEVEL TLM - HYDRAULIC DISC BRAKE - LEVERS A1 (2017-2019)

DB-LVL-TLM-A1



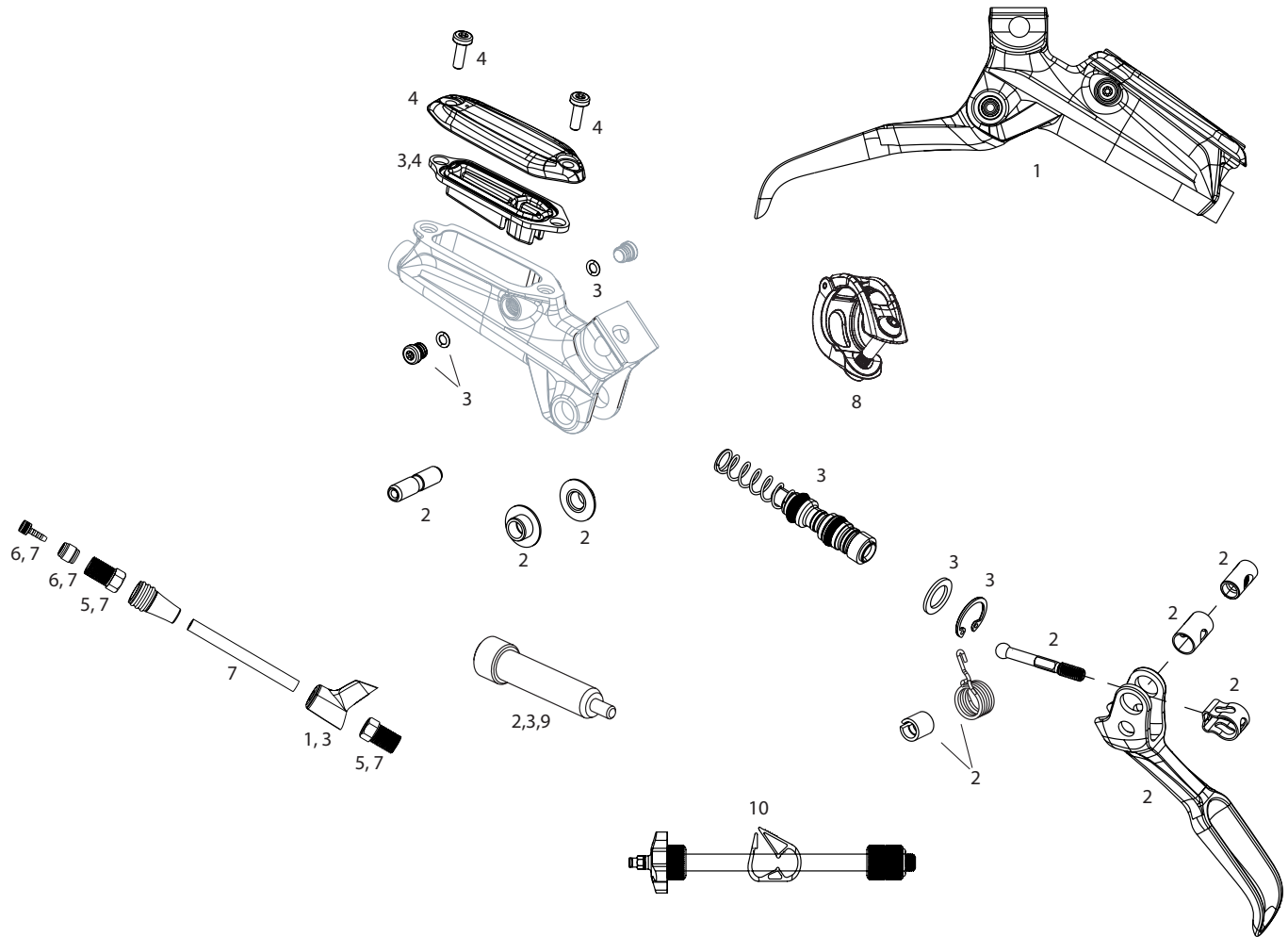
**Notes:**

- 1. Level TLM lever replaces Elixir X0
- 2. TLM is for Tooled, Light, and Monoblock (caliper)
- 3. Level brakes use new threaded barb and olive with T8 Torx tool.

NO.	PART NUMBER	DESCRIPTION
<b>LEVER SPARES</b>		
1	11.5018.046.011	DISC BRAKE LEVER ASSEMBLY - ALUMINUM LEVER (ASSEMBLED, NO HOSE, INCLUDES BARB & OLIVE) VERSION 2 DARK GREY -LEVEL TLM (A1-B1)
2	11.5018.003.017	DISC BRAKE LEVER BLADE KIT - ALUMINUM BLACK (INCLUDES BLADE, DOWEL, PUSHROD, SPRING, CLIP & BUSHINGS) - LEVEL TLM
3	11.5018.005.011	DISC BRAKE LEVER INTERNALS/SERVICE KIT - (INCLUDES PISTON ASSEMBLY, BLADDER & SPRING) - VERSION 2 LEVEL ULTIMATE/TLM/TL
4	11.5018.022.001	DISC BRAKE LEVER RESERVOIR CAP KIT - (INCLUDES RESERVOIR CAP, BLADDER & HARDWARE) - LEVEL ULTIMATE/TLM/TL/T/ LEVEL, GUIDET
<b>HYDRAULIC LINES &amp; FITTING</b>		
5	11.5309.766.000	DISC BRAKE COMPRESSION HOSE NUT - (QTY 5)
6	11.5378.803.004	DISC BRAKE HOSE FITTING KIT - (INCLUDES 1 THREADED HOSE BARB, 1 RED COMP FITTING) - AVID & SRAM BRAKES
7	00.5318.039.000	DISC BRAKE HYDRAULIC HOSE KIT - BLACK BANJO -2000MMBLK(INC. BANJO, FITTINGS) - LEVEL ULT,LEVEL TLM (A1), CODE R/RSC (B1),RED ETAP HRD,S900 MONOBLOCK
<b>LEVER CLAMPS</b>		
8	11.5315.048.050	DISC BRAKE LEVER CLAMP - (MMX) SILVER (STAINLESS STEEL BOLT T25) - G2 (A1), GUIDE (A1-B1), LEVEL ULT/TLM/TL,CODE RSC/R, DB5 ELIXIR 9/7/CR MAG/X0/ XX, QTY 1
8	11.5315.048.070	DISC BRAKE LEVER CLAMP - (MMX) BLACK (STAINLESS STEEL BOLT T25) - G2 (A1), GUIDE (A1-B1),LEVEL ULT/TLM/TL,CODE RSC/R, DB5 ELIXIR 9/7/CR MAG/X0/ XX, QTY 1
8	11.5315.048.080	DISC BRAKE LEVER CLAMP - (MMX) BLACK (TI BOLT T25) - G2 (A1), GUIDE (A1-B1), LEVEL ULT/TLM/TL, CODE RSC/R,DB5 ELIXIR9/7/CR MAG/X0/ XX, QTY 1
<b>TOOLS</b>		
9	00.5318.015.002	SRAM TOOL LEVER PIVOT TOOL (FOR LEVER REMOVAL & LEVER SERVICE) - LEVEL TLM/TL
10	00.5318.015.001	SRAM TOOL BLEEDING EDGE (WORKS WITH AVID/SRAM PRO BLEED KITS) -S4/MONOBLOCK CALIPERS,GUIDE ULT/RSC/RS/R (B1)/ T (A1),LEVEL ULT/SLV/TLM (A1),G2,CODE A1-C1

# LEVEL TLM - HYDRAULIC DISC BRAKE - LEVERS B1 (2020)

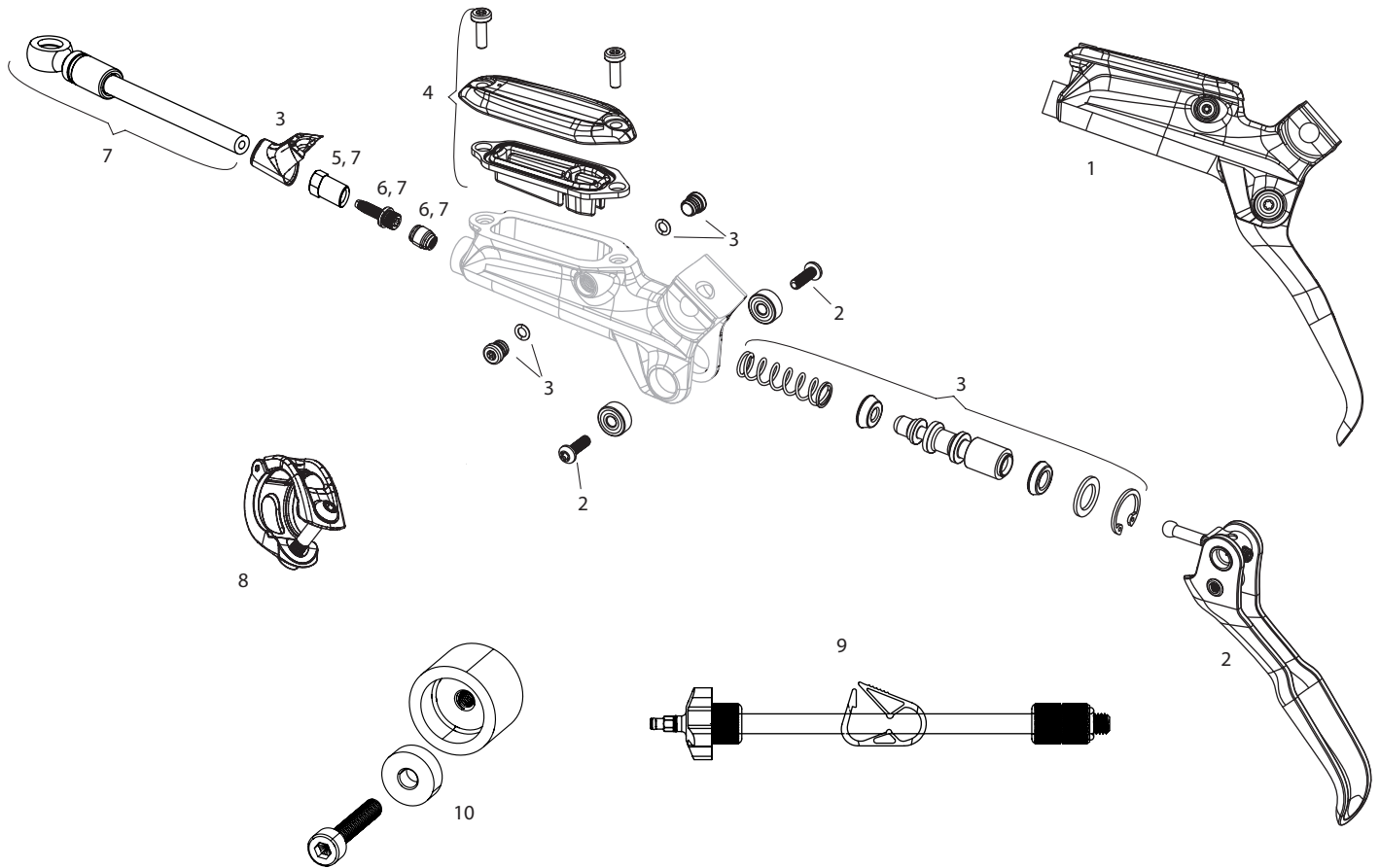
DB-LVL-TLM-B1



NO.	PART NUMBER	DESCRIPTION
<b>LEVER SPARES</b>		
1	11.5018.052.002	DISC BRAKE LEVER ASSEMBLY - ALUMINUM LEVER (ASSEMBLED, NO HOSE, INCLUDES BARB & OLIVE) LEVEL TLM B1
2	11.5018.003.017	DISC BRAKE LEVER BLADE KIT - ALUMINUM BLACK (INCLUDES BLADE, DOWEL, PUSHROD, SPRING, CLIP & BUSHINGS) - LEVEL TLM
3	11.5018.005.011	DISC BRAKE LEVER INTERNALS/SERVICE KIT - (INCLUDES PISTON ASSEMBLY, BLADDER & SPRING) - VERSION 2 LEVEL ULTIMATE/TLM/TL
4	11.5018.022.001	DISC BRAKE LEVER RESERVOIR CAP KIT - (INCLUDES RESERVOIR CAP, BLADDER & HARDWARE) - LEVEL ULTIMATE/TLM/TL/T/ LEVEL, GUIDE T
<b>HYDRAULIC LINES &amp; FITTING</b>		
5	11.5309.766.000	DISC BRAKE COMPRESSION HOSE NUT - (QTY 5)
6	11.5378.803.004	DISC BRAKE HOSE FITTING KIT - (INCLUDES 1 THREADED HOSE BARB, 1 RED COMP FITTING) - AVID & SRAM BRAKES
7	00.5318.036.000	Disc Brake Hydraulic Hose Kit-DoubleCompression 2000mmBlk-CodeR,Elixir1/3,Juicy3,DB 1/3,Level 2P ULT/SLV/TLM/TL/T/4PBZR(B1+),GuideRE,G2RE/RS/R,DB8,Red,Force,Rival(2P)eTapAXS, MAVEN BRZ (A1)
<b>LEVER CLAMPS</b>		
8	11.5315.048.050	DISC BRAKE LEVER CLAMP - (MMX) SILVER (STAINLESS STEEL BOLTT25) - G2 (A1), GUIDE (A1-B1), LEVEL ULT/TLM/TL, CODE RSC/R, DB5 ELIXIR 9/7/CR MAG/X0/ XX, QTY 1
8	11.5315.048.070	DISC BRAKE LEVER CLAMP - (MMX) BLACK (STAINLESS STEEL BOLT T25) - G2 (A1), GUIDE (A1-B1),LEVEL ULT/TLM/TL, CODE RSC/R, DB5 ELIXIR 9/7/CR MAG/X0/ XX, QTY 1
8	11.5315.048.080	DISC BRAKE LEVER CLAMP - (MMX) BLACK (TI BOLT T25) - G2 (A1), GUIDE (A1-B1), LEVEL ULT/TLM/TL, CODE RSC/R,DB5 ELIXIR9/7/CR MAG/ X0/ XX, QTY 1
<b>TOOLS</b>		
9	00.5318.015.002	SRAM TOOL LEVER PIVOT TOOL (FOR LEVER REMOVAL & LEVER SERVICE) - LEVEL TLM/TL
10	00.5318.015.001	SRAM TOOL BLEEDING EDGE (WORKS WITH AVID/SRAM PRO BLEED KITS) -S4/MONOBLOCK CALIPERS,GUIDE ULT/RSC/RS/R (B1)/ T (A1),LEVEL ULT/SLV/TLM (A1),G2, CODE A1-C1

# LEVEL ULTIMATE - HYDRAULIC DISC BRAKE - LEVERS A1 (2017-2019)

DB-LVL-ULT-A1



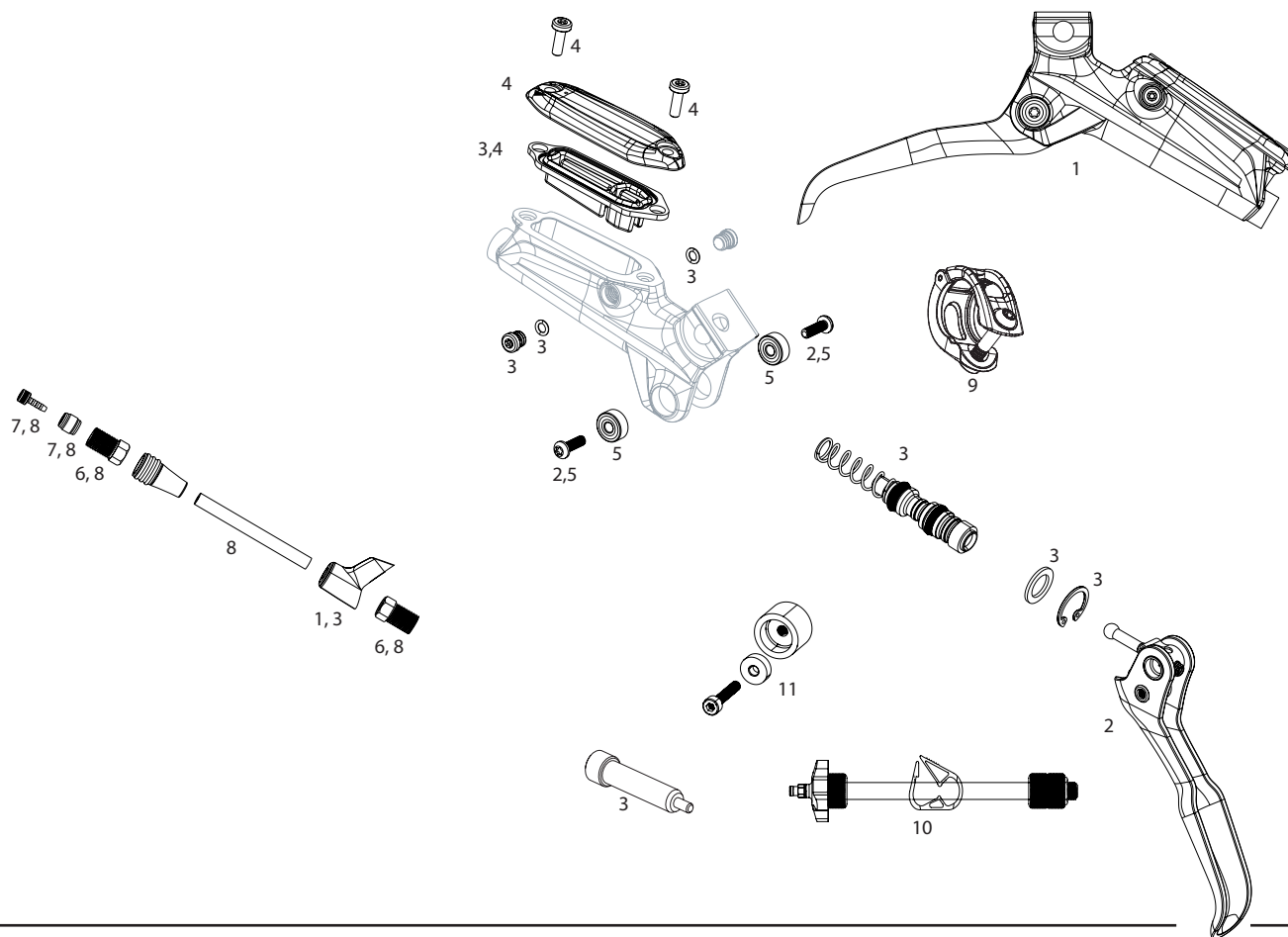
**Notes:**

- 1. Level Ultimate lever replaces Elixir XX
- 2. Level brakes use new threaded barb and olive with T8 Torx tool.

NO.	PART NUMBER	
<b>LEVER SPARES</b>		
1	11.5018.046.012	DISC BRAKE LEVER ASSEMBLY - CARBON LEVER (ASSEMBLED, NO HOSE, INCLUDES BARB & OLIVE) VERSION 2 BLACK - LEVEL ULTIMATE A1-B1
1	11.5018.046.018	DISC BRAKE LEVER ASSEMBLY - CARBON LEVER (ASSEMBLED, NO HOSE, INCLUDES BARB & OLIVE) VERSION 2 BLACK/GOLD -LEVEL ULTIMATE
2	11.5018.003.016	DISC BRAKE LEVER BLADE KIT - CARBON BLACK (INCLUDES BLADE, DOWEL & PUSHROD) - LEVEL ULTIMATE
3	11.5018.005.011	DISC BRAKE LEVER INTERNALS/SERVICE KIT - (INCLUDES PISTON ASSEMBLY, BLADDER & SPRING) - VERSION 2 LEVEL ULTIMATE/ TLM/TL
4	11.5018.022.001	DISC BRAKE LEVER RESERVOIR CAP KIT - (INCLUDES RESERVOIR CAP, BLADDER & HARDWARE) - LEVEL ULTIMATE/TLM/TL/T/ LEVEL, GUIDE T
<b>HYDRAULIC LINES &amp; FITTING</b>		
5	11.5309.766.000	DISC BRAKE COMPRESSION HOSE NUT - (QTY 5)
6	11.5378.803.004	DISC BRAKE HOSE FITTING KIT - (INCLUDES 1 THREADED HOSE BARB, 1 RED COMP FITTING) - AVID & SRAM BRAKES
7	00.5318.039.000	Disc Brake Hydraulic Hose Kit - Black Banjo -2000mmBlk(inc. banjo, fittings) - Level ULT/TLM (A1), CODE R/RSC/ULT/SLV/BRZ (B1/ C1), Red eTap HRD,S900 Monoblock
<b>LEVER CLAMPS</b>		
8	11.5315.048.050	DISC BRAKE LEVER CLAMP - (MMX) SILVER (STAINLESS STEEL BOLT25) - G2 (A1), GUIDE (A1-B1), LEVEL ULT/TLM/TL, CODE RSC/R, DB5 ELIXIR 9/7/CR MAG/X0/ XX, QTY 1
8	11.5315.048.070	DISC BRAKE LEVER CLAMP - (MMX) BLACK (STAINLESS STEEL BOLT 25) - G2 (A1), GUIDE (A1-B1),LEVEL ULT/TLM/TL, CODE RSC/R, DB5 ELIXIR 9/7/CR MAG/X0/ XX, QTY 1
8	11.5315.048.080	DISC BRAKE LEVER CLAMP - (MMX) BLACK (TI BOLT T25) - G2 (A1), GUIDE (A1-B1), LEVEL ULT/TLM/TL, CODE RSC/R, DB5 ELIXIR9/7/ CR MAG/X0/ XX, QTY 1
<b>TOOLS</b>		
9	00.5318.015.001	SRAM TOOL BLEEDING EDGE (WORKS WITH AVID/SRAM PRO BLEED KITS) -S4/MONOBLOCK CALIPERS, GUIDE ULT/RSC/RS/R (B1)/ T (A1), LEVEL ULT/SLV/TLM (A1), G2, CODE A1-C1
10	00.5318.025.000	LEVER PIVOT BEARING PRESS TOOL- CODE ULT/RSC/SLV, XO TRAIL, LEVEL ULT/SLV, GUIDE ULT/RSC, G2 ULT, MAVEN ULT/SLV

# LEVEL ULTIMATE - HYDRAULIC DISC BRAKE - LEVERS B1 (2020)

DB-LVL-ULT-B1



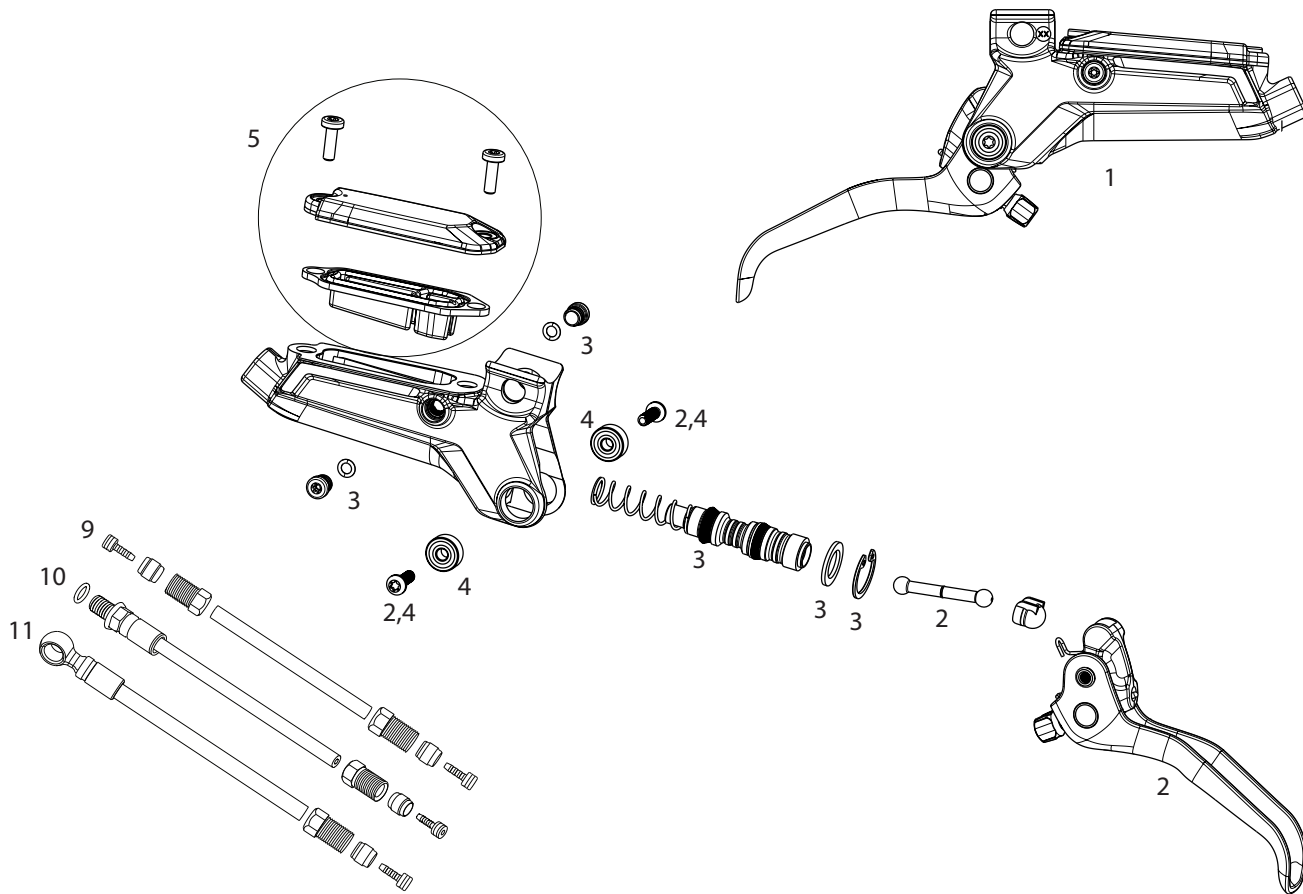
NO.	PART NUMBER	LEVER SPARES
1	11.5018.046.012	DISC BRAKE LEVER ASSEMBLY - CARBON LEVER (ASSEMBLED, NO HOSE, INCLUDES BARB & OLIVE) VERSION 2 BLACK - LEVEL ULTIMATE A1-B1
2	11.5018.003.016	DISC BRAKE LEVER BLADE KIT - CARBON BLACK (INCLUDES BLADE, DOWEL & PUSHROD) - LEVEL ULTIMATE
3	11.5018.005.011	DISC BRAKE LEVER INTERNALS/SERVICE KIT - (INCLUDES PISTON ASSEMBLY, BLADDER & SPRING) - VERSION 2 LEVEL ULTIMATE/TLM/TL
4	11.5018.022.001	DISC BRAKE LEVER RESERVOIR CAP KIT - (INCLUDES RESERVOIR CAP, BLADDER & HARDWARE) - LEVEL ULTIMATE/TLM/TL/T/ LEVEL, GUIDE T
5	11.5018.023.000	DISC BRAKE LEVER BEARING KIT - (INCLUDES TWO 1/8X3/8X5/32 BEARINGS, HARDWARE) - GUIDE RSC/ULT,XO TRAIL/CODE RSC/ULT/SLV,LEVEL ULT/SLV,G2 ULT,CODE ULT/CODE SLV, MAVEN ULT/SLV
HYDRAULIC LINES & FITTING		
6	11.5309.766.000	DISC BRAKE COMPRESSION HOSE NUT - (QTY 5)
7	11.5378.803.004	DISC BRAKE LEVER CLAMP - (MMX) SILVER (STAINLESS STEEL BOLT T25) - G2 (A1), GUIDE (A1-B1), LEVEL ULT/TLM/TL, CODE RSC/R, DB5 ELIXIR 9/7/CR MAG/X0/ XX, QTY 1
8	00.5318.036.000	DISC BRAKE HOSE FITTING KIT - (INCLUDES 1 THREADED HOSE BARB, 1 RED COMP FITTING) - AVID & SRAM BRAKES Disc Brake Hydraulic Hose Kit-DoubleCompression 2000mmBlk-CodeR,Elixir1/3,Juicy3,DB 1/3,Level 2P ULT/SLV/TLM/TL/T/4PBZR(B1+),GuideRE,G2RE/RS/R,DB8,Red,Force,Rival(2P)eTapAXS, MAVEN BRZ (A1)
LEVER CLAMPS		
9	11.5315.048.050	DISC BRAKE LEVER CLAMP - (MMX) SILVER (STAINLESS STEEL BOLT T25) - G2 (A1), GUIDE (A1-B1), LEVEL ULT/TLM/TL, CODE RSC/R, DB5 ELIXIR 9/7/CR MAG/X0/ XX, QTY 1
9	11.5315.048.070	DISC BRAKE LEVER CLAMP - (MMX) BLACK (STAINLESS STEEL BOLT T25) - G2 (A1), GUIDE (A1-B1),LEVEL ULT/TLM/TL, CODE RSC/R, DB5 ELIXIR 9/7/CR MAG/X0/ XX, QTY 1
9	11.5315.048.080	DISC BRAKE LEVER CLAMP - (MMX) BLACK (TI BOLT T25) - G2 (A1), GUIDE (A1-B1), LEVEL ULT/TLM/TL, CODE RSC/R,DB5 ELIXIR9/7/CR MAG/X0/ XX, QTY 1
TOOLS		
10	00.5318.015.001	SRAM TOOL BLEEDING EDGE (WORKS WITH AVID/SRAM PRO BLEED KITS) -S4/MONOBLOCK CALIPERS,GUIDE ULT/RSC/RS/R (B1)/T (A1),LEVEL ULT/SLV/TLM (A1),G2,CODE A1-C1
11	00.5318.025.000	LEVER PIVOT BEARING PRESS TOOL- CODE ULT/RSC/SLV, XO TRAIL, LEVEL ULT/SLV, GUIDE ULT/RSC, G2 ULT, MAVEN ULT/SLV



# LEVEL STEALTH ULTIMATE/SILVER/BRONZE - HYDRAULIC DISC BRAKE - LEVERS C1 (2024+)

PAGE 1/2

DB-LVL-ULT4-C1, DB-LVL-SLV4-C1, DB-LVL-BRZ4-C1, DB-LVL-ULT2-C1, DB-LVL-SLV2-C1, DB-LVL-BRZ2-C1



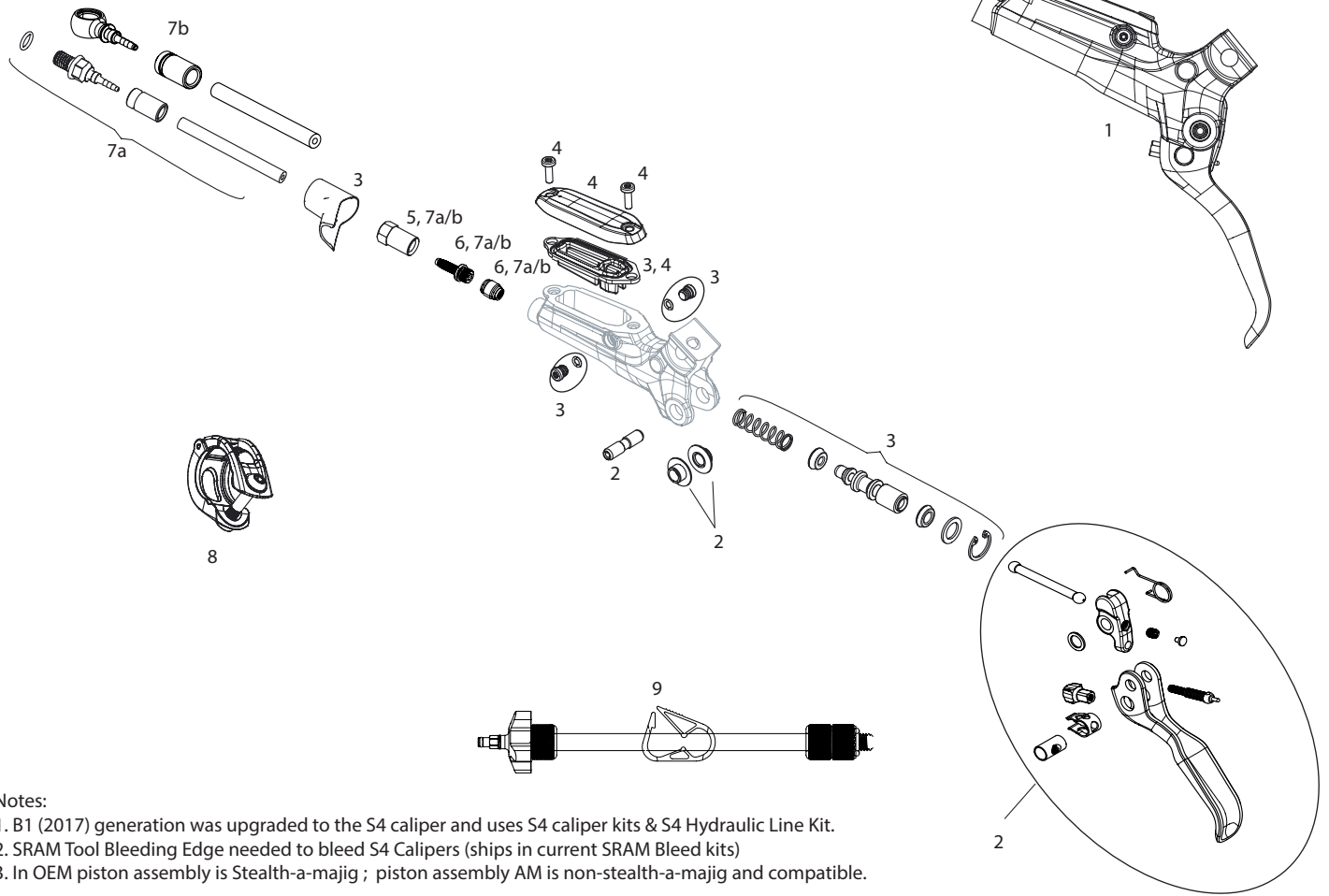
NO	PART NUMBER	DESCRIPTION
<b>LEVERSPARES</b>		
1	11.5018.052.020	DISC BRAKE LEVER ASSEMBLY - CARBON LEVER (ASSEMBLED, NO HOSE, INCLUDES BARB, OLIVE, BOOT) GLOSS BLACK ANO - LEVEL 2P ULTIMATE STEALTH C1
1	11.5018.052.017	DISC BRAKE LEVER ASSEMBLY - CARBON LEVER (ASSEMBLED, NO HOSE, INCLUDES BARB, OLIVE, BOOT) CLEAR ANO - LEVEL 4P ULTIMATE STEALTH C1
1	11.5018.052.018	DISC BRAKE LEVER ASSEMBLY - ALUMINUM LEVER (ASSEMBLED, NO HOSE, INCLUDES BARB, OLIVE, BOOT) BLACK ANO - LEVEL SILVER STEALTH C1
1	11.5018.052.019	DISC BRAKE LEVER ASSEMBLY - ALUMINUM LEVER (ASSEMBLED, NO HOSE, INCLUDES BARB, OLIVE, BOOT) DARK POLAR - LEVEL BRONZE STEALTH C1
2	11.5018.053.008	DISC BRAKE LEVER BLADE KIT - CARBON LEVER BLACK (INCLUDES BLADE, REACH KNOB, CAM, SPRING) - LEVEL ULTIMATE STEALTH C1
2	11.5018.053.009	DISC BRAKE LEVER BLADE KIT - ALUMINUM LEVER BLACK (INCLUDES BLADE, REACH KNOB, CAM, SPRING, BUSHING) - LEVEL SILVER STEALTH C1
2	11.5018.053.010	DISC BRAKE LEVER BLADE KIT - ALUMINUM LEVER BLACK (INCLUDES BLADE, REACH KNOB, CAM, SPRING, BUSHING) - LEVEL BRONZE STEALTH C1
3	11.5018.054.004	DISC BRAKE LEVER INTERNALS/SERVICE KIT - (INCLUDES PISTON ASSEMBLY, BLADDER, SPRING) - LEVEL ULTIMATE/SILVER/BRONZE STEALTH C1
4	11.5018.023.000	DISC BRAKE LEVER BEARING KIT - (INCLUDES TWO 1/8X3/8X5/32 BEARINGS, HARDWARE) - GUIDE RSC/ULT, X0 TRAIL/CODE RSC/ULT/SLV, LEVEL ULT/SLV, G2 ULT, CODE ULT/CODE SLV, MAVEN ULT/SLV
5	11.5018.055.003	DISC BRAKE LEVER RESERVOIR CAP KIT - (INCLUDES RESERVOIR CAP, BLADDER, HARDWARE) - LEVEL ULTIMATE/SILVER/BRONZE STEALTH C1
ns	11.5018.068.001	DISC BRAKE LEVER HOSE BOOT - QTY 2 - LEVEL ULTIMATE/SILVER/BRONZE STEALTH C1
ns	11.5018.069.000	CABLE GUIDE CLIPS STEM INTEGRATED QTY 10 - STEALTH BRAKE LINES
ns	11.5018.069.001	CABLE GUIDE CLIPS ADHESIVE MOUNT QTY 10 - STEALTH BRAKE LINES
<b>HYDRAULIC FITTINGS</b>		
ns	11.5309.766.000	DISC BRAKE COMPRESSION HOSE NUT - (QTY 5)
ns	11.5378.803.004	DISC BRAKE HOSE FITTING KIT - (INCLUDES 1 THREADED HOSE BARB, 1 RED COMP FITTING) - AVID & SRAM BRAKES

Continued on next page

NO	PART NUMBER	
2 PISTON HYDRAULIC LINES		
9	00.5318.036.000	Disc Brake Hydraulic Hose Kit-DoubleCompression 2000mmBlk-CodeR,Elixir1/3,Juicy3,DB 1/3, Level 2P ULT/SLV/TLM/TL/T/4PBZR(B1+),GuideRE,G2RE/RS/R,DB8,Red,Force,Rival(2P)eTapAXS, MAVEN BRZ (A1)
10	00.5318.037.000	Disc Brake Hydraulic Hose Kit - Threaded Inline Crimp -2000mmBlk (inc. crimp, fittings) - Elixir 5/7/9/R/CR/X0,Guide RSC (A1),Guide R/RS (A1),DB5,Level TL/BRZ 2P
4 PISTON HYDRAULIC LINES		
9	00.5318.036.000	Disc Brake Hydraulic Hose Kit-DoubleCompression 2000mmBlk-CodeR,Elixir1/3,Juicy3,DB 1/3, Level 2P ULT/SLV/TLM/TL/T/4PBZR(B1+),GuideRE,G2RE/RS/R,DB8,Red,Force,Rival(2P)eTapAXS, MAVEN BRZ (A1)
11	00.5318.038.000	Disc Brake Hydraulic Hose Kit - Silver Banjo -2000mmBlk (inc. banjo, fittings) - XX,Juicy5/7/,Guide R/RS/RSC/Ult (B1),Guide T(A1), G2 RSC/ULT,Level 4Piston ULT/SLV(C1), MAVEN ULT/SLV (A1)
LEVER CLAMPS		
ns	00.5315.018.052	MatchMaker X, Pair, Black, Stainless T25 Black Bolts (compatible with SRAM MMX-compatible shifters) - Code, G2, Guide, Level, Elixir, DB, Maven
ns	00.5315.018.053	MatchMaker X, Single Left, Black, Stainless T25 Black Bolts (compatible with SRAM MMX-compatible shifters) - Code, G2, Guide, Level, Elixir, DB, Maven
ns	00.5315.018.054	MatchMaker X, Single Right, Black, Stainless T25 Black Bolts (compatible with SRAM MMX-compatible shifters) - Code, G2, Guide, Level, Elixir, DB, Maven
TOOLS		
ns	00.5318.015.001	SRAM TOOL BLEEDING EDGE (WORKS WITH AVID/SRAM PRO BLEED KITS) -S4/MONOBLOCK CALIPERS,GUIDE ULT/RSC/RS/R (B1)/ T (A1),LEVEL ULT/SLV/TLM (A1),G2,CODE A1-C1
ns	00.5318.025.000	LEVER PIVOT BEARING PRESS TOOL- CODE ULT/RSC/SLV, XO TRAIL, LEVEL ULT/SLV, GUIDE ULT/RSC, G2 ULT, MAVEN ULT/SLV
BLEED KITS		
ns	00.5318.045.000	Standard Brake Bleed Kit (includes 2 syringes/fittings, bleed blocks, Torx tool, crowfoot, Bleeding Edge Fitting, DOT5.1 hydraulic fluid) V2 - SRAM X0/ XX/ Guide/Level/Code/HydroR/G2
ns	00.5318.045.001	Standard Brake Bleed Kit (includes 2 syringes/fittings, bleed blocks, Torx tool, crowfoot, Bleeding Edge Fitting) V2 - SRAM X0/ XX/ Guide/Level/Code/HydroR/G2
ns	00.5318.045.002	Pro Brake Bleed Kit (includes 2 syringes/fittings, bleed blocks, Torx tool, crowfoot, Bleeding Edge Fitting, DOT 5.1hydraulic fluid) V2 - SRAM X0/ XX/ Guide/Level/Code/HydroR/G2
ns	00.5318.045.003	Pro Brake Bleed Kit (includes 2 syringes/fittings, bleed blocks, Torx tool, crowfoot, Bleeding Edge Fitting) V2 - SRAM X0/ XX/ Guide/Level/Code/HydroR/G2

# GUIDE R - HYDRAULIC DISC BRAKE - LEVERS A1-B1 (2015-2020)

DB-GDE-R-A1 / DB-GDE-R-B1



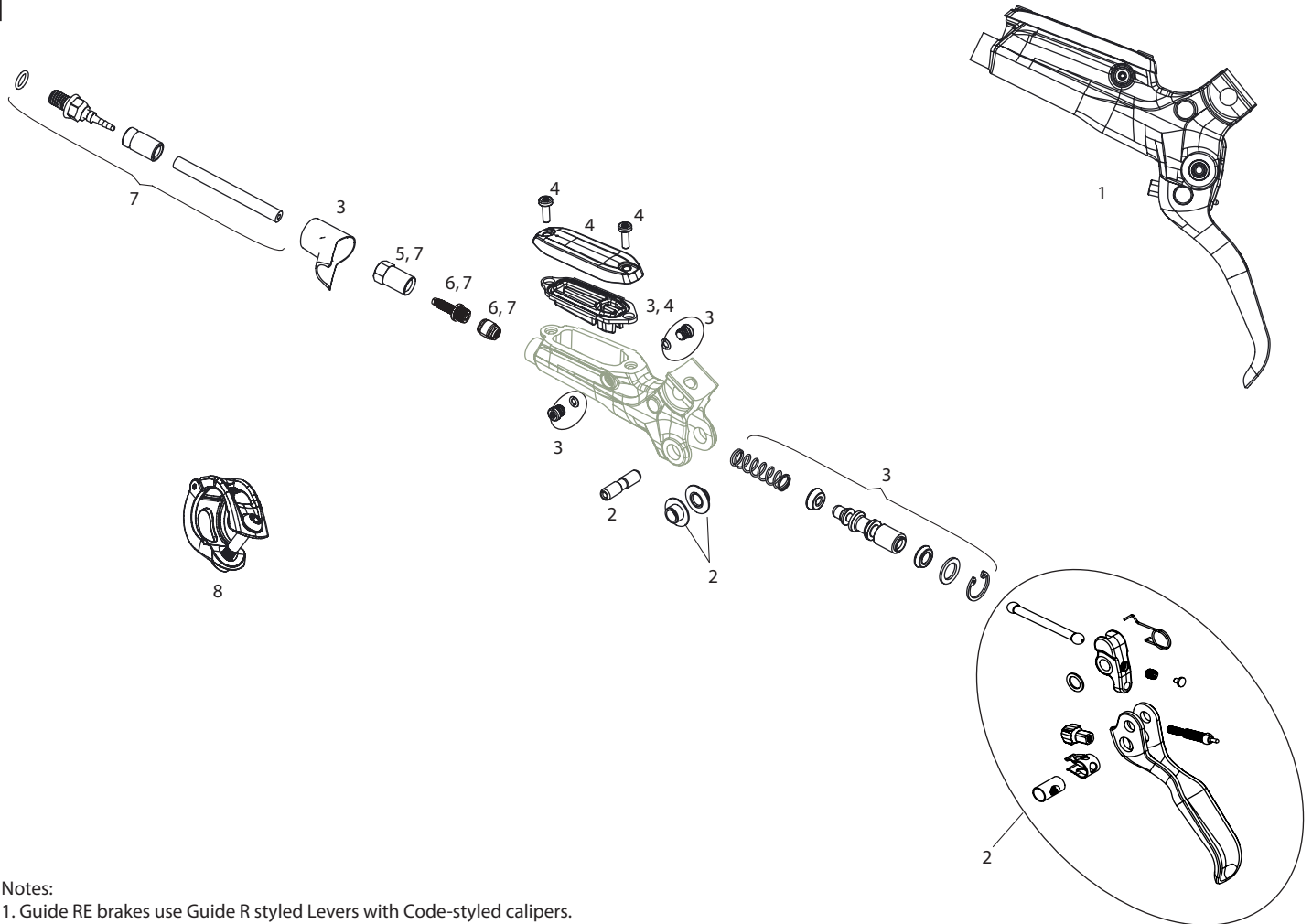
**Notes:**

- 1. B1 (2017) generation was upgraded to the S4 caliper and uses S4 caliper kits & S4 Hydraulic Line Kit.
- 2. SRAM Tool Bleeding Edge needed to bleed S4 Calipers (ships in current SRAM Bleed kits)
- 3. In OEM piston assembly is Stealth-a-majig ; piston assembly AM is non-stealth-a-majig and compatible.

NO.	PART NUMBER	DESCRIPTION
<b>LEVER SPARES</b>		
1	11.5018.046.000	DISC BRAKE LEVER ASSEMBLY - ALUMINUM LEVER (ASSEMBLED, NO HOSE, INCLUDES BARB & OLIVE) VERSION 2 BLACK- GUIDE R
2	11.5018.003.012	DISC BRAKE LEVER BLADE KIT - ALUMINUM BLACK V2 (INCLUDES BLADE, PIN, REACH KNOB, CAM, PUSHROD & BUSHINGS) - GUIDE R/RE
3	11.5018.005.008	DISC BRAKE LEVER INTERNALS/SERVICE KIT - (INCLUDES PISTON ASSEMBLY, BLADDER & SPRING) - VERSION 2 GUIDE R/RE/DB5/CODE R/G2R
4	11.5018.022.000	DISC BRAKE LEVER RESERVOIR CAP KIT - (INCLUDES RESERVOIR CAP, BLADDER & HARDWARE) - GUIDE R/RE/RS/RSC/ULTIMATE/DB5
ns	11.5018.046.019	DISC BRAKE LEVER ASSEMBLY - ALUMINUM LEVER (ASSEMBLED, NO HOSE, INCLUDES BARB & OLIVE) VERSION 2 BLACK -GUIDE T (TOOLED)
ns	11.5018.036.019	DISC BRAKE LEVER PISTON KIT - (INCLUDES RETURN SPRING) VERSION 2 (QTY 6) - GUIDE R/RS, G2 R/RS
<b>HYDRAULIC LINES &amp; FITTING</b>		
5	11.5309.766.000	DISC BRAKE COMPRESSION HOSE NUT - (QTY 5)
6	11.5378.803.004	DISC BRAKE HOSE FITTING KIT - (INCLUDES 1 THREADED HOSE BARB, 1 RED COMP FITTING) - AVID & SRAM BRAKES
7a	00.5318.037.000	Disc Brake Hydraulic Hose Kit - Threaded Inline Crimp -2000mmBlk (inc. crimp, fittings) - Elixir 5/7/9/R/CR/X0,Guide RSC (A1),Guide R/RS (A1),DB5,Level TL/BRZ 2P
7b	00.5318.038.000	Disc Brake Hydraulic Hose Kit - Silver Banjo -2000mmBlk (inc. banjo, fittings) - XX,Juicy5/7/,Guide R/RS/RSC/Ult (B1),Guide T(A1),G2 RSC/ULT,Level 4Piston ULT/SLV(C1), MAVEN ULT/SLV (A1)
<b>LEVER CLAMPS</b>		
8	11.5315.048.050	DISC BRAKE LEVER CLAMP - (MMX) SILVER (STAINLESS STEEL BOLT T25) - G2 (A1), GUIDE (A1-B1), LEVEL ULT/TLM/TL, CODE RSC/R, DB5 ELIXIR 9/7/CR MAG/X0/ XX, QTY 1
8	11.5315.048.070	DISC BRAKE LEVER CLAMP - (MMX) BLACK (STAINLESS STEEL BOLT T25) - G2 (A1), GUIDE (A1-B1), LEVEL ULT/TLM/TL, CODE RSC/R, DB5 ELIXIR 9/7/CR MAG/X0/ XX, QTY 1
8	11.5315.048.080	DISC BRAKE LEVER CLAMP - (MMX) BLACK (TI BOLT T25) - G2 (A1), GUIDE (A1-B1), LEVEL ULT/TLM/TL, CODE RSC/R, DB5 ELIXIR 9/7/CR MAG/X0/ XX, QTY 1
<b>TOOLS</b>		
9	00.5318.015.001	SRAM TOOL BLEEDING EDGE (WORKS WITH AVID/SRAM PRO BLEED KITS) -S4/MONOBLOCK CALIPERS,GUIDE ULT/RSC/RS/R (B1)/T (A1), LEVEL ULT/SLV/TLM (A1),G2, CODE A1-C1

# GUIDE RE - HYDRAULIC DISC BRAKE - LEVERS A1 (2017-2020)

DB-GDE-RE-A1



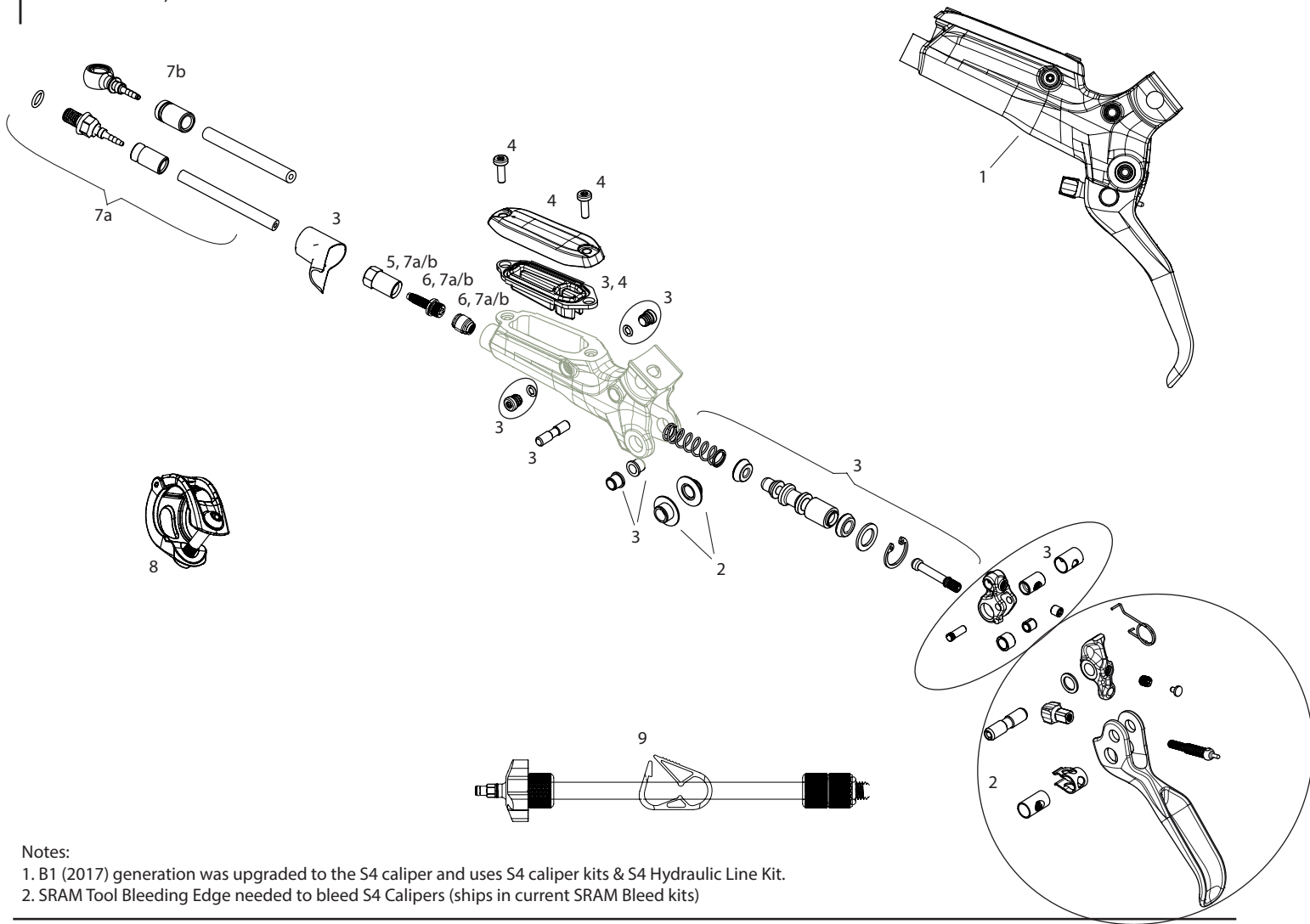
**Notes:**

- 1. Guide RE brakes use Guide R styled Levers with Code-styled calipers.
- 2. In OEM piston assembly is Stealth-a-majig ; piston assembly AM is non-stealth-a-majig and compatible.

NO.	PART NUMBER	DESCRIPTION
<b>LEVER SPARES</b>		
1	11.5018.046.013	DISC BRAKE LEVER ASSEMBLY - ALUMINUM LEVER (ASSEMBLED, NO HOSE, INCLUDES BARB & OLIVE) VERSION 2 BLACK -GUIDE RE
2	11.5018.003.012	DISC BRAKE LEVER BLADE KIT - ALUMINUM BLACK V2 (INCLUDES BLADE, PIN, REACH KNOB, CAM, PUSHROD & BUSHINGS) - GUIDE R/RE
3	11.5018.005.008	DISC BRAKE LEVER INTERNALS/SERVICE KIT - (INCLUDES PISTON ASSEMBLY, BLADDER & SPRING) - V2 GUIDE R/RE/DB5/ CODE R/G2 R
4	11.5018.022.000	DISC BRAKE LEVER RESERVOIR CAP KIT - (INCLUDES RESERVOIR CAP, BLADDER & HARDWARE) - GUIDE R/RE/RS/RSC/ULTIMATE/DB5
<b>HYDRAULIC LINES &amp; FITTING</b>		
5	11.5309.766.000	DISC BRAKE COMPRESSION HOSE NUT - (QTY 5)
6	11.5378.803.004	DISC BRAKE HOSE FITTING KIT - (INCLUDES 1 THREADED HOSE BARB, 1 RED COMP FITTING) - AVID & SRAM BRAKES
7	00.5318.036.000	Disc Brake Hydraulic Hose Kit-DoubleCompression 2000mmBlk-CodeR,Elixir1/3,Juicy3,DB 1/3,Level 2P ULT/SLV/TLM/TL/T/4PBZR(B1+),GuideRE,G2RE/RS/R,DB8,Red,Force,Rival(2P)eTapAXS, MAVEN BRZ (A1)
<b>LEVER CLAMPS</b>		
8	11.5315.048.050	DISC BRAKE LEVER CLAMP - (MMX) SILVER (STAINLESS STEEL BOLTT25) - G2 (A1), GUIDE (A1-B1), LEVEL ULT/TLM/TL, CODE RSC/R, DB5 ELIXIR 9/7/CR MAG/X0/ XX, QTY 1
8	11.5315.048.070	DISC BRAKE LEVER CLAMP - (MMX) BLACK (STAINLESS STEEL BOLT T25) - G2 (A1), GUIDE (A1-B1),LEVEL ULT/TLM/TL, CODE RSC/R, DB5 ELIXIR 9/7/CR MAG/X0/ XX, QTY 1
8	11.5315.048.080	DISC BRAKE LEVER CLAMP - (MMX) BLACK (TI BOLT T25) - G2 (A1), GUIDE (A1-B1), LEVEL ULT/TLM/TL, CODE RSC/R,DB5 ELIXIR9/7/CR MAG/X0/ XX, QTY 1

# GUIDE RS - HYDRAULIC DISC BRAKE - LEVERS A1-B1 (2015-2019)

DB-GDE-RS-A1, DB-GDE-RS-B1



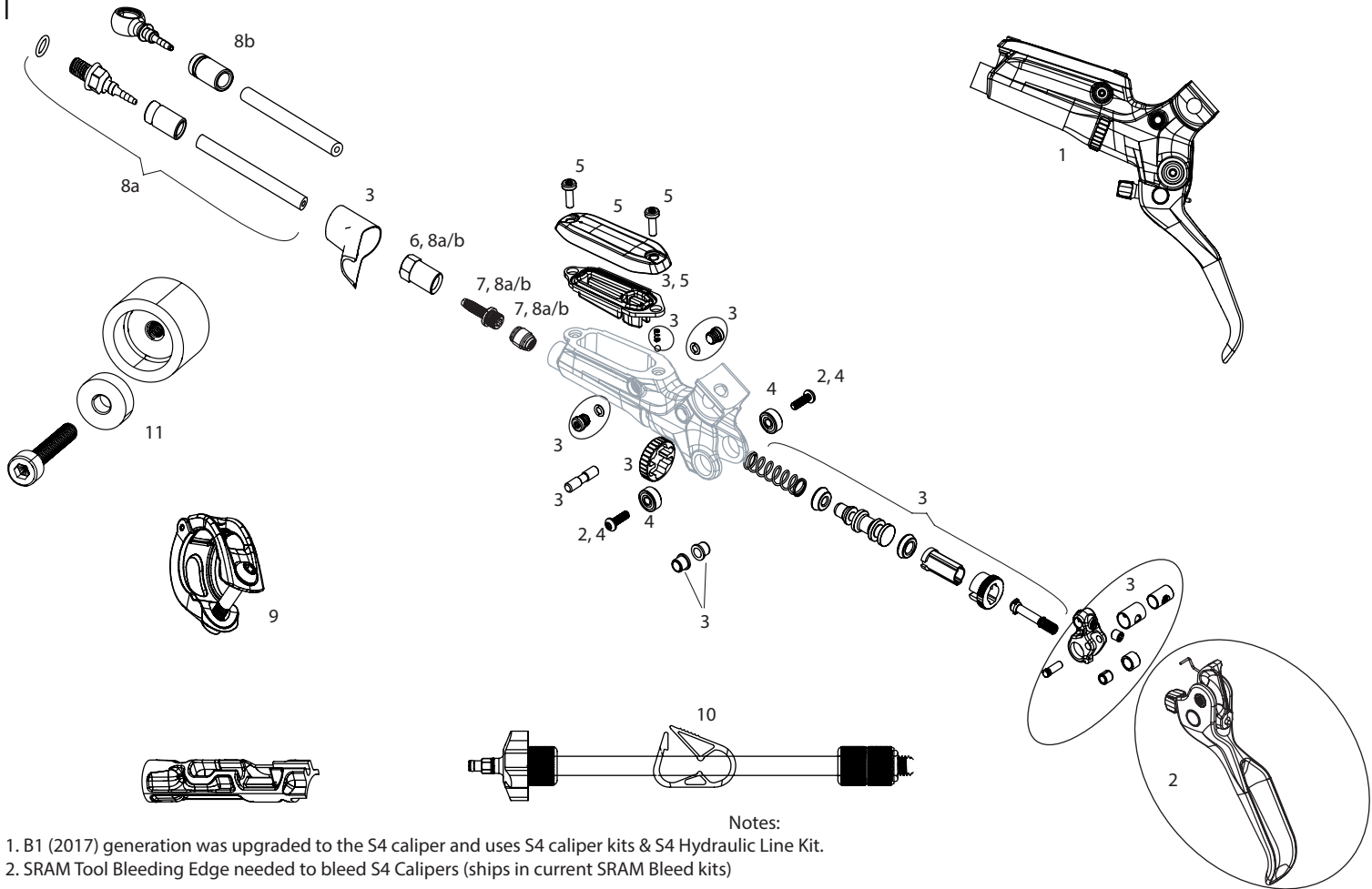
**Notes:**

- 1. B1 (2017) generation was upgraded to the S4 caliper and uses S4 caliper kits & S4 Hydraulic Line Kit.
- 2. SRAM Tool Bleeding Edge needed to bleed S4 Calipers (ships in current SRAM Bleed kits)

NO.	PART NUMBER	DESCRIPTION
<b>LEVER SPARES</b>		
1	11.5018.046.002	DISC BRAKE LEVER ASSEMBLY - ALUMINUM LEVER (ASSEMBLED, NO HOSE, INCLUDES BARB & OLIVE) VERSION 2 BLACK - GUIDE RS
2	11.5018.003.013	DISC BRAKE LEVER BLADE KIT - ALU BLACK V2 (INCLUDES BLADE, PIN, REACH KNOB, CAM, PUSHROD, SPRING & BUSHINGS) - GUIDE RS
3	11.5018.005.009	DISC BRAKE LEVER INTERNALS/SERVICE KIT - (INCLUDES PISTON ASSEMBLY, BLADDER & SPRING) - VERSION 2 GUIDE RS
4	11.5018.022.000	DISC BRAKE LEVER RESERVOIR CAP KIT - (INCLUDES RESERVOIR CAP, BLADDER & HARDWARE) - GUIDE R/RE/RS/RSC/ULTIMATE/DB5
ns	11.5018.036.019	DISC BRAKE LEVER PISTON KIT - (INCLUDES RETURN SPRING) VERSION 2 (QTY 6) - GUIDE R/RS, G2 R/RS
<b>HYDRAULIC LINES &amp; FITTING</b>		
5	11.5309.766.000	DISC BRAKE COMPRESSION HOSE NUT - (QTY 5)
6	11.5378.803.004	DISC BRAKE HOSE FITTING KIT - (INCLUDES 1 THREADED HOSE BARB, 1 RED COMP FITTING) - AVID & SRAM BRAKES
7a	00.5318.037.000	Disc Brake Hydraulic Hose Kit - Threaded Inline Crimp -2000mmBlk (inc. crimp, fittings) - Elixir 5/7/9/R/CR/X0,Guide RSC (A1),Guide R/RS (A1),DB5,Level TL/BRZ 2P
7b	00.5318.038.000	Disc Brake Hydraulic Hose Kit - Silver Banjo -2000mmBlk (inc. banjo, fittings) - XX,Juicy5/7/,Guide R/RS/RSC/Ult (B1),Guide T(A1),G2 RSC/ULT,Level 4Piston ULT/SLV(C1), MAVEN ULT/SLV (A1)
<b>LEVER CLAMPS</b>		
8	11.5315.048.050	DISC BRAKE LEVER CLAMP - (MMX) SILVER (STAINLESS STEEL BOLT T25) - G2 (A1), GUIDE (A1-B1), LEVEL ULT/TLM/TL, CODE RSC/R, DB5 ELIXIR 9/7/CR MAG/X0/ XX, QTY 1
8	11.5315.048.070	DISC BRAKE LEVER CLAMP - (MMX) BLACK (STAINLESS STEEL BOLT T25) - G2 (A1), GUIDE (A1-B1),LEVEL ULT/TLM/TL, CODE RSC/R, DB5 ELIXIR 9/7/CR MAG/X0/ XX, QTY 1
8	11.5315.048.080	DISC BRAKE LEVER CLAMP - (MMX) BLACK (TI BOLT T25) - G2 (A1), GUIDE (A1-B1), LEVEL ULT/TLM/TL, CODE RSC/R,DB5 ELIXIR 9/7/CR MAG/X0/ XX, QTY 1
<b>TOOLS</b>		
9	00.5318.015.001	SRAM TOOL BLEEDING EDGE (WORKS WITH AVID/SRAM PRO BLEED KITS) -S4/MONOBLOCK CALIPERS,GUIDE ULT/RSC/RS/R (B1)/T (A1),LEVEL ULT/SLV/TLM (A1),G2, CODE A1-C1

# GUIDE RSC - HYDRAULIC DISC BRAKE - LEVERS A1-B1 (2015-2019)

DB-GDE-RSC-A1, DB-GDE-RSC-B1



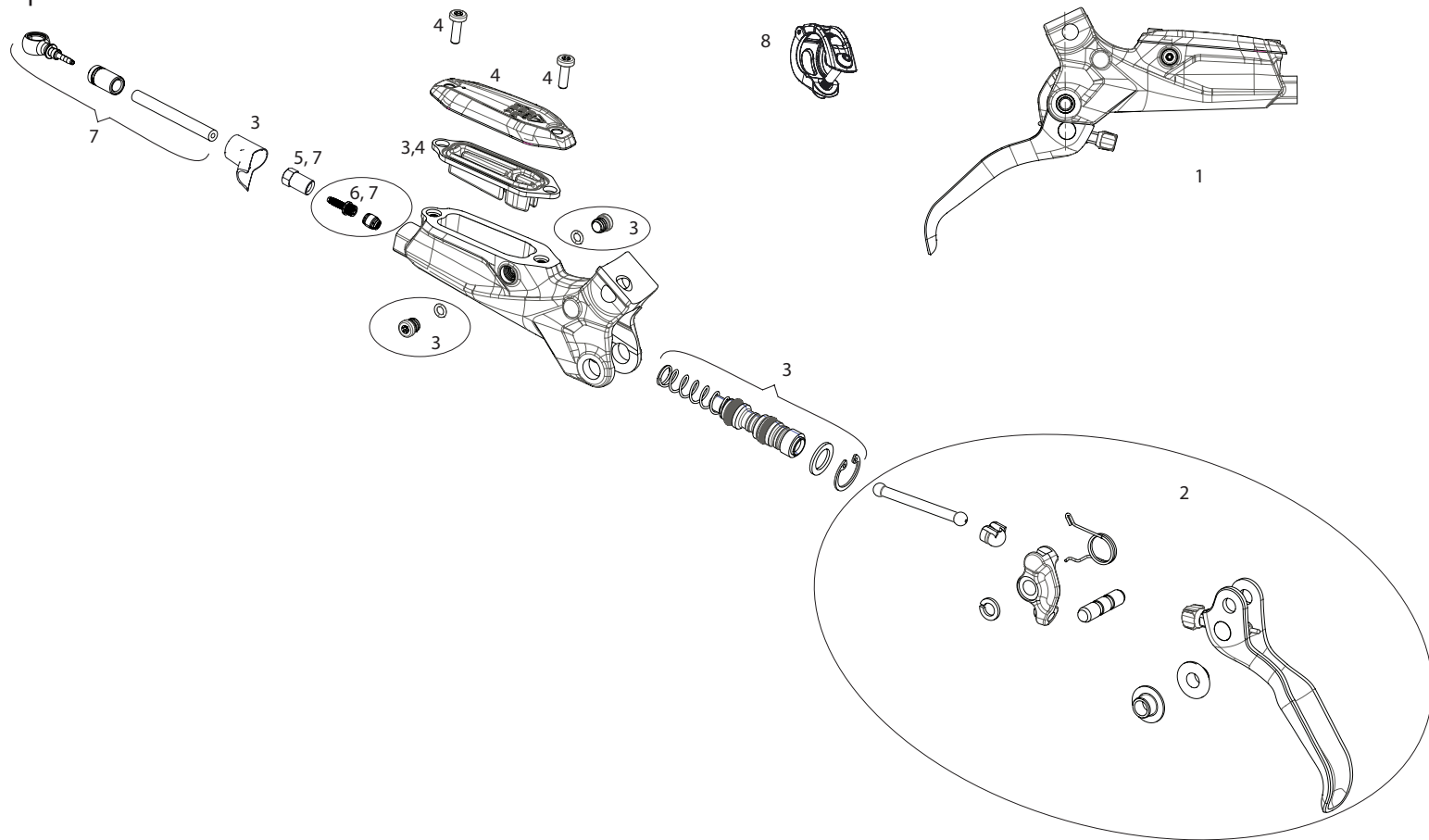
### Notes:

1. B1 (2017) generation was upgraded to the S4 caliper and uses S4 caliper kits & S4 Hydraulic Line Kit.
2. SRAM Tool Bleeding Edge needed to bleed S4 Calipers (ships in current SRAM Bleed kits)

NO.	PART NUMBER	DESCRIPTION
<b>LEVER SPARES</b>		
1	11.5018.046.004	DISC BRAKE LEVER ASSEMBLY - ALUMINUM LEVER (ASSEMBLED, NO HOSE, INCLUDES BARB & OLIVE) VERSION 2 BLACK -GUIDE RSC
1	11.5018.046.005	DISC BRAKE LEVER ASSEMBLY - ALUMINUM LEVER (ASSEMBLED, NO HOSE, INCLUDES BARB & OLIVE) VERSION 2 SILVER -GUIDE RSC
2	11.5018.003.014	DISC BRAKE LEVER BLADE KIT - ALUMINUM BLACK V2 (INCLUDES BLADE, PIN, REACH KNOB, CAM, PUSHROD, SPRING) - GUIDE RSC/CODE RSC
3	11.5018.005.010	DISC BRAKE LEVER INTERNALS/SERVICE KIT - (INCLUDES PISTON ASSEMBLY, BLADDER & SPRING) - VERSION 2 GUIDE RSC/ ULTIMATE/CODE RSC
4	11.5018.023.000	DISC BRAKE LEVER BEARING KIT - (INCLUDES TWO 1/8X3/8X5/32 BEARINGS, HARDWARE) - GUIDE RSC/ULT,X0 TRAIL/CODE RSC/ ULT/SLV,LEVEL ULT/SLV,G2 ULT,CODE ULT/CODE SLV, MAVEN ULT/SLV
5	11.5018.022.000	DISC BRAKE LEVER RESERVOIR CAP KIT - (INCLUDES RESERVOIR CAP, BLADDER & HARDWARE) - GUIDE R/RE/RS/RSC/ULTIMATE/DB5
ns	11.5018.036.020	DISC BRAKE LEVER PISTON KIT - (INCLUDES RETURN SPRING) VERSION 2 (QTY 6) - GUIDE RSC/ULTIMATE, G2 ULT (A1)
<b>HYDRAULIC LINES &amp; FITTING</b>		
6	11.5309.766.000	DISC BRAKE COMPRESSION HOSE NUT - (QTY 5)
7	11.5378.803.004	DISC BRAKE HOSE FITTING KIT - (INCLUDES 1 THREADED HOSE BARB, 1 RED COMP FITTING) - AVID & SRAM BRAKES
8a	00.5318.037.000	Disc Brake Hydraulic Hose Kit - Threaded Inline Crimp -2000mmBlk (inc. crimp, fittings) - Elixir 5/7/9/R/CR/X0,Guide RSC (A1), Guide R/RS (A1),DB5,Level TL/BRZ 2P
8b	00.5318.038.000	Disc Brake Hydraulic Hose Kit - Silver Banjo -2000mmBlk (inc. banjo, fittings) - XX,Juicy5/7/,Guide R/RS/RSC/Ult (B1),Guide T(A1), G2 RSC/ULT,Level 4Piston ULT/SLV(C1), MAVEN ULT/SLV (A1)
<b>LEVER CLAMPS</b>		
9	11.5315.048.050	DISC BRAKE LEVER CLAMP - (MMX) SILVER (STAINLESS STEEL BOLTT25) - G2 (A1), GUIDE (A1-B1), LEVEL ULT/TLM/TL,CODE RSC/R, DB5 ELIXIR 9/7/CR MAG/X0/ XX, QTY 1
9	11.5315.048.070	DISC BRAKE LEVER CLAMP - (MMX) BLACK (STAINLESS STEEL BOLT T25) - G2 (A1), GUIDE (A1-B1),LEVEL ULT/TLM/TL,CODE RSC/R, DB5 ELIXIR 9/7/CR MAG/X0/ XX, QTY 1
9	11.5315.048.080	DISC BRAKE LEVER CLAMP - (MMX) BLACK (TI BOLT T25) - G2 (A1), GUIDE (A1-B1), LEVEL ULT/TLM/TL, CODE RSC/R,DB5 ELIXIR9/7/ CR MAG/X0/ XX, QTY 1
<b>TOOLS</b>		
10	00.5318.015.001	SRAM TOOL BLEEDING EDGE (WORKS WITH AVID/SRAM PRO BLEED KITS) -S4/MONOBLOCK CALIPERS,GUIDE ULT/RSC/RS/R (B1)/ T (A1),LEVEL ULT/SLV/TLM (A1),G2,CODE A1-C1
11	00.5318.025.000	LEVER PIVOT BEARING PRESS TOOL- CODE ULT/RSC/SLV, XO TRAIL, LEVEL ULT/SLV, GUIDE ULT/RSC, G2 ULT, MAVEN ULT/SLV

# G2 R - HYDRAULIC DISC BRAKE - LEVERS A1

DB-G2-R-A1

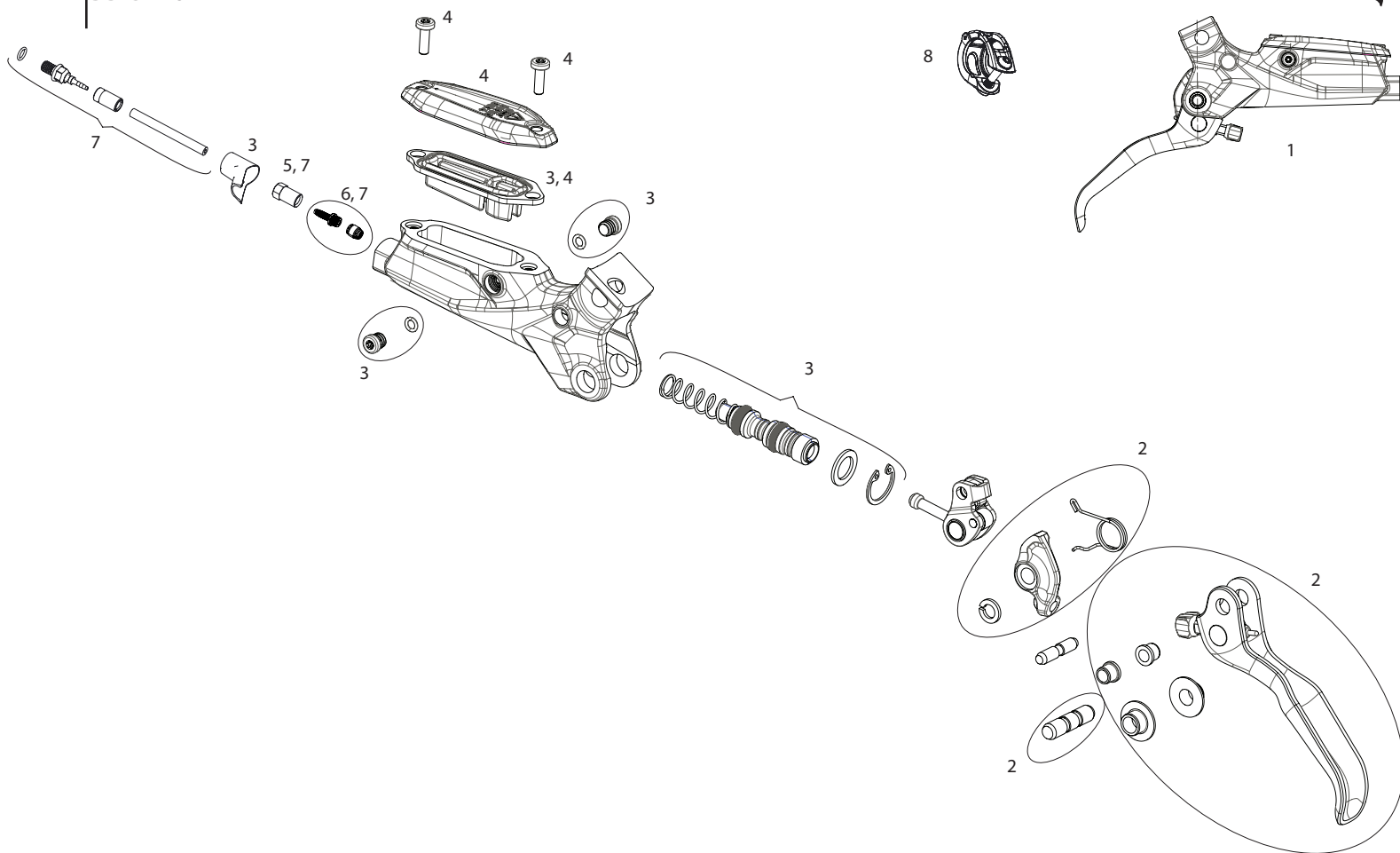


In OEM piston assembly is Stealth-a-majig ; piston assembly AM is non-stealth-a-majig and compatible.

NO	PART NUMBER	DESCRIPTION
<b>LEVER SPARES</b>		
1	11.5018.052.006	DISC BRAKE LEVER ASSEMBLY - ALUMINUM LEVER (ASSEMBLED, NO HOSE, INCLUDES BARB & OLIVE) DIFFUSION BLACK ANO- G2 R (A2)
2	11.5018.053.003	DISC BRAKE LEVER BLADE KIT - ALUMINUM GLOSS BLACK (INCLUDES BLADE, PIN, REACH KNOB, CAM, PUSHROD & BUSHINGS) - G2 R
3	11.5018.005.008	DISC BRAKE LEVER INTERNALS/SERVICE KIT - (INCLUDES PISTON ASSEMBLY, BLADDER & SPRING) - VERSION 2 GUIDE R/RE/DB5/ CODE R/G2 R
4	11.5018.055.000	DISC BRAKE LEVER RESERVOIR CAP KIT - (INCLUDES RESERVOIR CAP, BLADDER & HARDWARE) - G2 R/RS/RSC/ULTIMATE
ns	11.5018.036.019	DISC BRAKE LEVER PISTON KIT - (INCLUDES RETURN SPRING) VERSION 2 (QTY 6) - GUIDE R/RS, G2 R/RS
<b>HYDRAULIC LINES &amp; FITTING</b>		
5	11.5309.766.000	DISC BRAKE COMPRESSION HOSE NUT - (QTY 5)
6	11.5378.803.004	DISC BRAKE HOSE FITTING KIT - (INCLUDES 1 THREADED HOSE BARB, 1 RED COMP FITTING) - AVID & SRAM BRAKES
7	00.5318.036.000	Disc Brake Hydraulic Hose Kit-DoubleCompression 2000mmBlk-Coder,Elixir1/3,Juicy3,DB 1/3,Level 2P ULT/SLV/TLM/TL/T/4PBZR(B1+),GuideRE,G2RE/RS/R,DB8,Red,Force,Rival(2P)eTapAXS, MAVEN BRZ (A1)
<b>LEVER CLAMPS</b>		
8	11.5315.048.050	DISC BRAKE LEVER CLAMP - (MMX) SILVER (STAINLESS STEEL BOLT T25) - G2 (A1), GUIDE (A1-B1), LEVEL ULT/TLM/TL, CODE RSC/R, DB5 ELIXIR 9/7/CR MAG/X0/ XX, QTY 1
8	11.5315.048.070	DISC BRAKE LEVER CLAMP - (MMX) BLACK (STAINLESS STEEL BOLT T25) - G2 (A1), GUIDE (A1-B1), LEVEL ULT/TLM/TL, CODE RSC/R, DB5 ELIXIR 9/7/CR MAG/X0/ XX, QTY 1
8	11.5315.048.080	DISC BRAKE LEVER CLAMP - (MMX) BLACK (TI BOLT T25) - G2 (A1), GUIDE (A1-B1), LEVEL ULT/TLM/TL, CODE RSC/R, DB5 ELIXIR 9/7/CR MAG/X0/ XX, QTY 1
<b>TOOLS</b>		
9	00.5318.015.001	SRAM TOOL BLEEDING EDGE (WORKS WITH AVID/SRAM PRO BLEED KITS) -S4/MONOBLOCK CALIPERS, GUIDE ULTIMATE/RSC/RS/R (B1)/T (A1)/ LEVEL ULT/ TLM (A1)/G2 ULT/RSC/RS (A1)
<b>TOOLS</b>		
NS	00.5318.015.001	SRAM TOOL BLEEDING EDGE (WORKS WITH AVID/SRAM PRO BLEED KITS) -S4/MONOBLOCK CALIPERS, GUIDE ULTIMATE/RSC/RS/R (B1)/T (A1)/ LEVEL ULT/ TLM (A1)/G2 ULT/RSC/RS (A1)

# G2 RS - HYDRAULIC DISC BRAKE - LEVERS A1

DB-G2-RS-A1

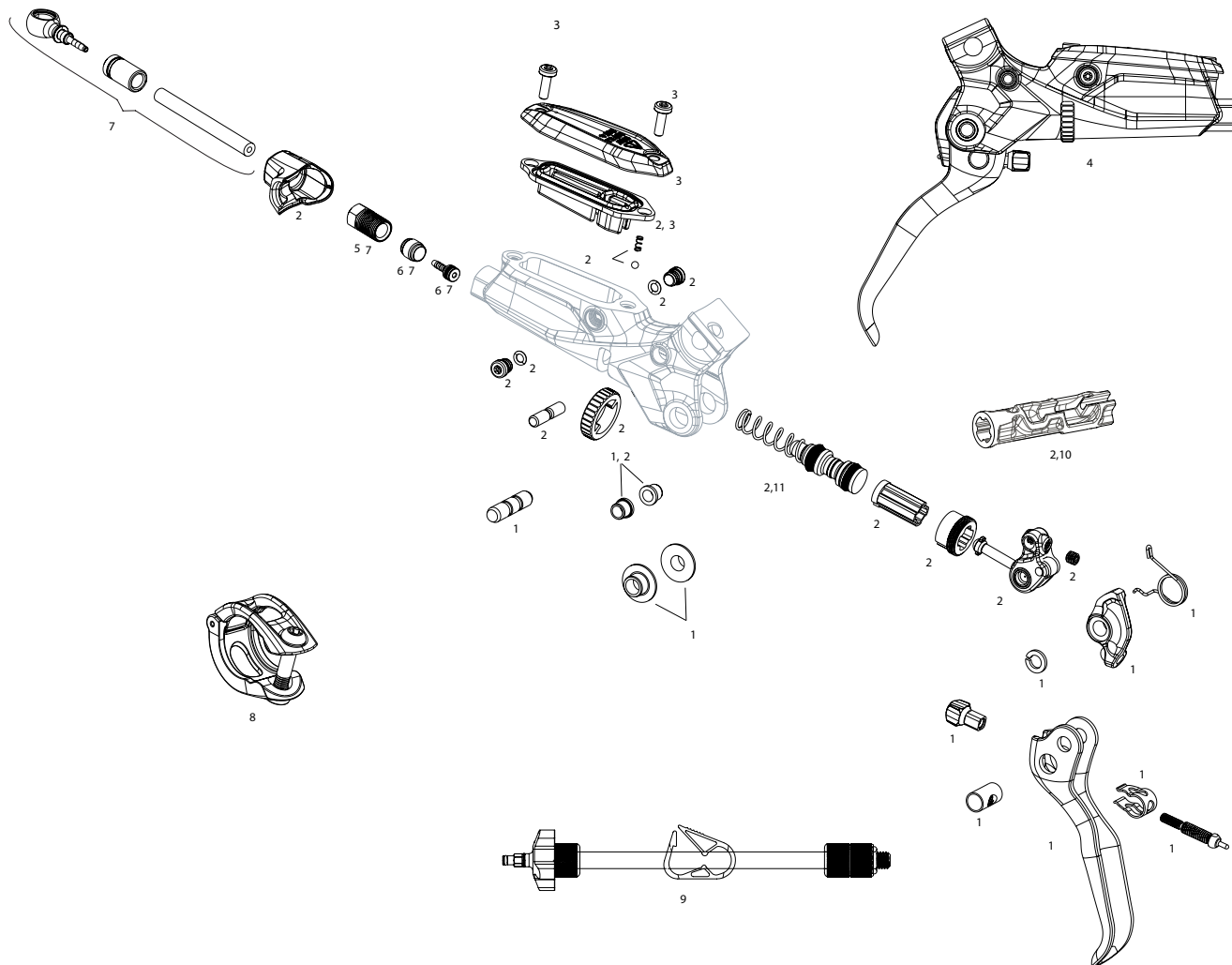


NO.	PART NUMBER	DESCRIPTION
<b>LEVER SPARES</b>		
1	11.5018.052.007	DISC BRAKE LEVER ASSEMBLY - ALUMINUM LEVER (ASSEMBLED, NO HOSE, INCLUDES BARB & OLIVE) DIFFUSION BLACK ANO - G2 RS (A2)
2	11.5018.053.004	DISC BRAKE LEVER BLADE KIT - ALUMINUM GLOSS BLACK (INCLUDES BLADE, PIN, REACH KNOB, CAM, PUSHROD & BUSHINGS) - G2 RS
3	11.5018.054.001	DISC BRAKE LEVER INTERNALS/SERVICE KIT - (INCLUDES PISTON ASSEMBLY, BLADDER & SPRING) - G2 RS A1
4	11.5018.055.000	DISC BRAKE LEVER RESERVOIR CAP KIT - (INCLUDES RESERVOIR CAP, BLADDER & HARDWARE) - G2 R/RS/RSC/ULTIMATE
ns	11.5018.036.019	DISC BRAKE LEVER PISTON KIT - (INCLUDES RETURN SPRING) VERSION 2 (QTY 6) - GUIDE R/RS, G2 R/RS
<b>HYDRAULIC LINES &amp; FITTING</b>		
5	11.5309.766.000	DISC BRAKE COMPRESSION HOSE NUT - (QTY 5)
6	11.5378.803.004	DISC BRAKE HOSE FITTING KIT - (INCLUDES 1 THREADED HOSE BARB, 1 RED COMP FITTING) - AVID & SRAM BRAKES
7	00.5318.036.000	Disc Brake Hydraulic Hose Kit-DoubleCompression 2000mmBlk-CodeR,Elixir1/3,Juicy3,DB 1/3,Level 2P ULT/SLV/TLM/TL/T/4PBZR(B1+),GuideRE,G2RE/RS/R,DB8,Red,Force,Rival(2P)eTapAXS, MAVEN BRZ (A1)
<b>LEVER CLAMPS</b>		
8	11.5315.048.050	DISC BRAKE LEVER CLAMP - (MMX) SILVER (STAINLESS STEEL BOLT T25) - G2 (A1), GUIDE (A1-B1), LEVEL ULT/TLM/TL, CODE RSC/R, DB5 ELIXIR 9/7/CR MAG/X0/ XX, QTY 1
8	11.5315.048.070	DISC BRAKE LEVER CLAMP - (MMX) BLACK (STAINLESS STEEL BOLT T25) - G2 (A1), GUIDE (A1-B1), LEVEL ULT/TLM/TL, CODE RSC/R, DB5 ELIXIR 9/7/CR MAG/X0/ XX, QTY 1
8	11.5315.048.080	DISC BRAKE LEVER CLAMP - (MMX) BLACK (TI BOLT T25) - G2 (A1), GUIDE (A1-B1), LEVEL ULT/TLM/TL, CODE RSC/R, DB5 ELIXIR9/7/CR MAG/X0/ XX, QTY 1
<b>TOOLS</b>		
ns	00.5318.015.001	SRAM TOOL BLEEDING EDGE (WORKS WITH AVID/SRAM PRO BLEED KITS) -S4/MONOBLOCK CALIPERS,GUIDE ULT/RSC/RS/R (B1)/T (A1), LEVEL ULT/SLV/TLM (A1),G2, CODE A1-C1



# G2 RSC - HYDRAULIC DISC BRAKE - LEVERS A1 (2020-)

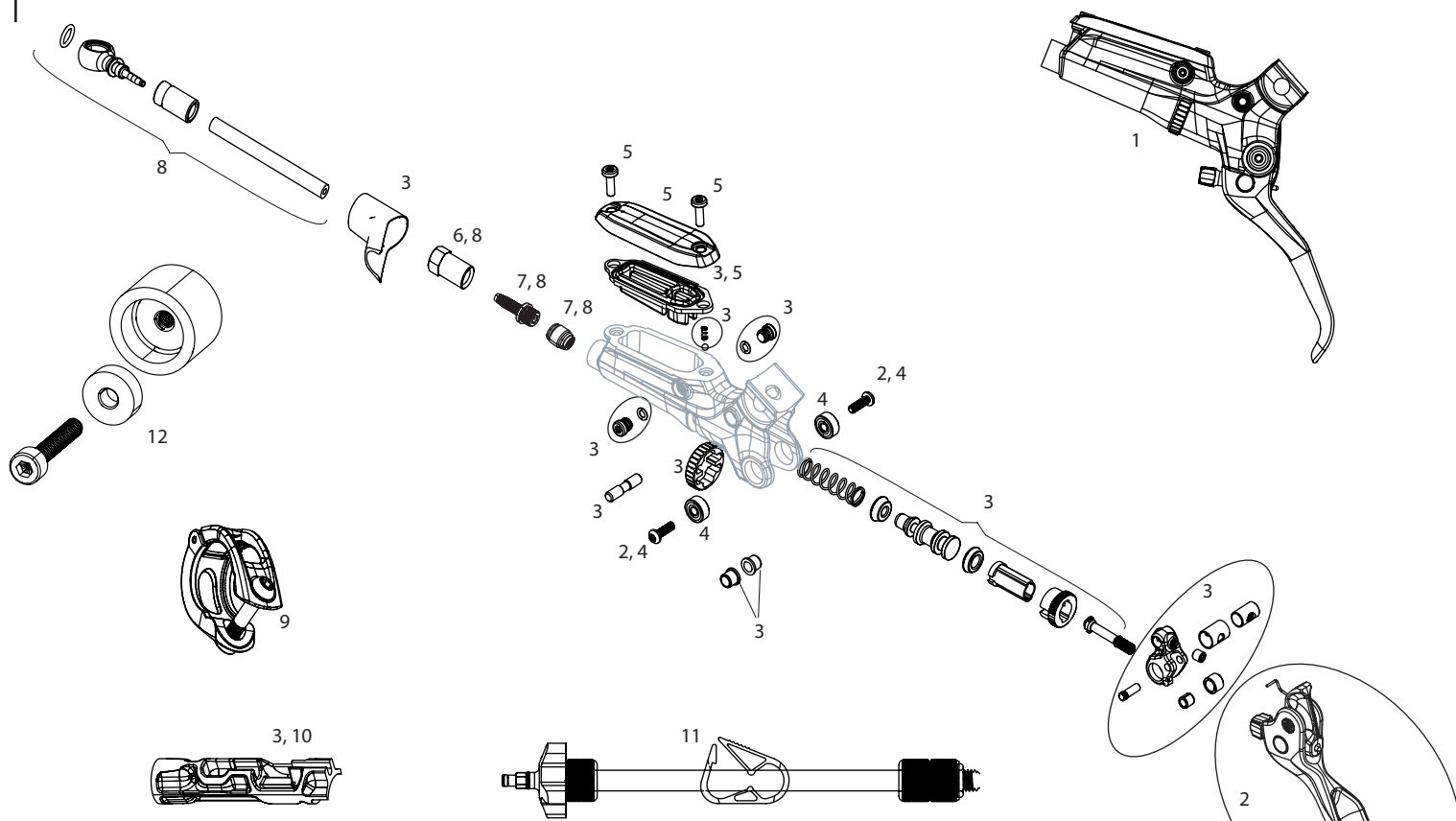
DB-G2-RSC-A1



NO.	PART NUMBER	DESCRIPTION
<b>LEVER SPARES</b>		
1	11.5018.053.000	DISC BRAKE LEVER BLADE KIT - ALUMINUM BLACK (INCLUDES BLADE, PIN, REACH KNOB, CAM, PUSHROD, SPRING & BUSHINGS) - G2 RSC
2	11.5018.054.000	DISC BRAKE LEVER INTERNALS/SERVICE KIT - (INCLUDES PISTON ASSEMBLY, BLADDER & SPRING) - G2 RSC/ULT
3	11.5018.055.000	DISC BRAKE LEVER RESERVOIR CAP KIT - (INCLUDES RESERVOIR CAP, BLADDER & HARDWARE) - G2 R/RS/RSC/ULTIMATE
4	11.5018.052.009	DISC BRAKE LEVER ASSEMBLY - ALUMINUM LEVER (ASSEMBLED, NO HOSE, INCLUDES BARB & OLIVE) DIFFUSION BLACK ANO- G2 RSC (A2)
11	11.5018.036.020	DISC BRAKE LEVER PISTON KIT - (INCLUDES RETURN SPRING) VERSION 2 (QTY 6) - GUIDE RSC/ULTIMATE, G2 ULT (A1)
<b>HYDRAULIC LINES &amp; FITTING</b>		
5	11.5309.766.000	DISC BRAKE COMPRESSION HOSE NUT - (QTY 5)
6	11.5378.803.004	DISC BRAKE HOSE FITTING KIT - (INCLUDES 1 THREADED HOSE BARB, 1 RED COMP FITTING) - AVID & SRAM BRAKES
7	00.5318.038.000	Disc Brake Hydraulic Hose Kit - Silver Banjo -2000mmBlk (inc. banjo, fittings) - XX, Juicy5/7/, Guide R/RS/RSC/Ult (B1), Guide T(A1), G2 RSC/ULT, Level 4Piston ULT/SLV(C1), MAVEN ULT/SLV (A1)
<b>LEVER CLAMPS</b>		
8	11.5315.048.050	DISC BRAKE LEVER CLAMP - (MMX) SILVER (STAINLESS STEEL BOLT T25) - G2 (A1), GUIDE (A1-B1), LEVEL ULT/TLM/TL, CODE RSC/R, DB5 ELIXIR 9/7/CR MAG/X0/ XX, QTY 1
8	11.5315.048.070	DISC BRAKE LEVER CLAMP - (MMX) BLACK (STAINLESS STEEL BOLT T25) - G2 (A1), GUIDE (A1-B1), LEVEL ULT/TLM/TL, CODE RSC/R, DB5 ELIXIR 9/7/CR MAG/X0/ XX, QTY 1
8	11.5315.048.080	DISC BRAKE LEVER CLAMP - (MMX) BLACK (TI BOLT T25) - G2 (A1), GUIDE (A1-B1), LEVEL ULT/TLM/TL, CODE RSC/R, DB5 ELIXIR 9/7/CR MAG/X0/ XX, QTY 1
<b>TOOLS</b>		
9	00.5318.015.001	SRAM TOOL BLEEDING EDGE (WORKS WITH AVID/SRAM PRO BLEED KITS) -S4/MONOBLOCK CALIPERS, GUIDE ULT/RSC/RS/R (B1)/T (A1), LEVEL ULT/SLV/TLM (A1), G2, CODE A1-C1
10	00.5318.015.000	LEVER INTERNALS ASSEMBLY TOOL (FOR SETTING PUSHROD DISTANCE AND INSTALLING INTERNALS) -GUIDE ULT/RSC, CODE RSC/ULT/SLV, MAVEN ULT/SLV

# GUIDE ULTIMATE - HYDRAULIC DISC BRAKE - LEVERS A1(2015-2019)

DB-GDE-ULT-A1



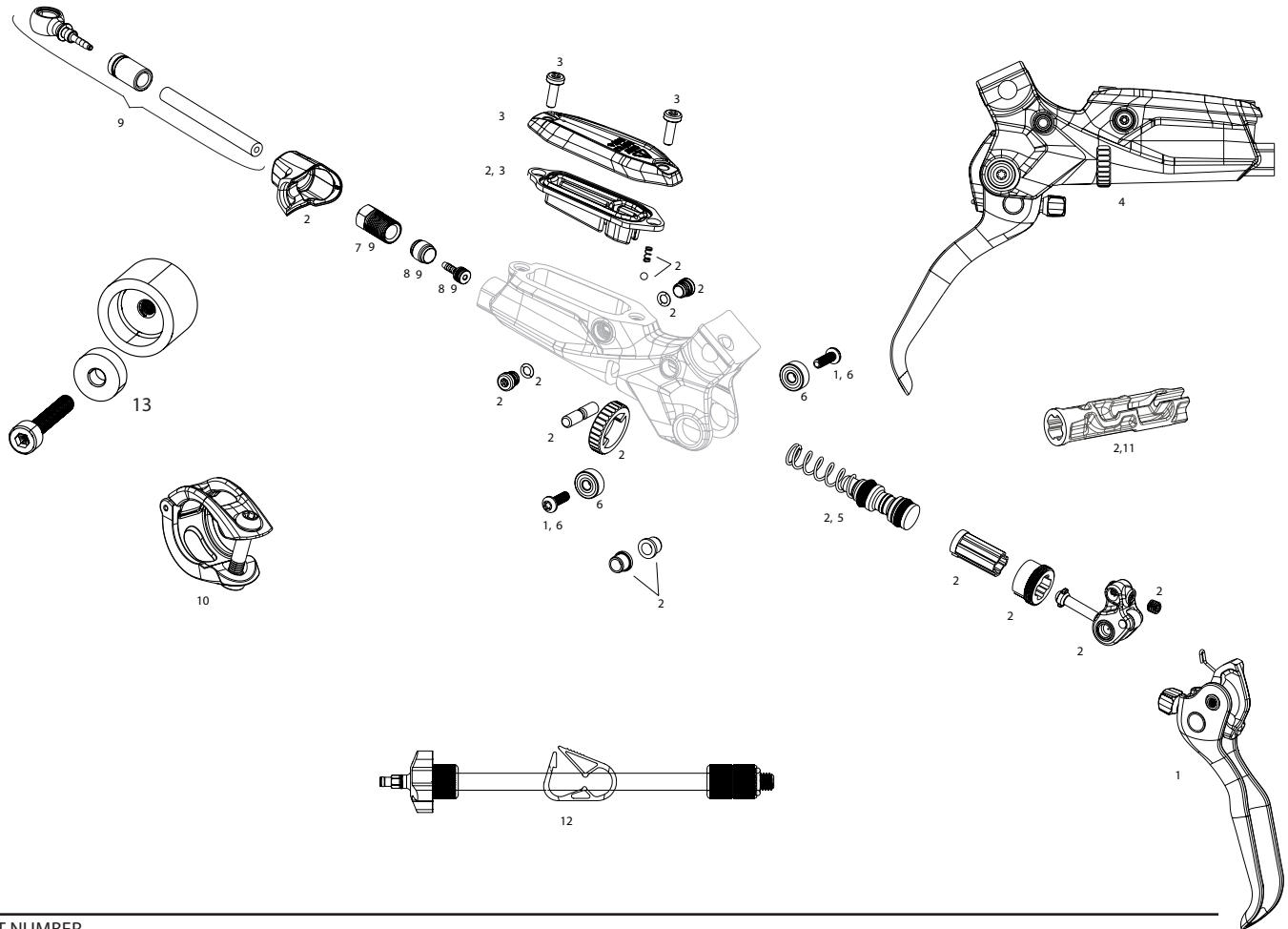
**Notes:**

- 1. Lever Internals kit is pre-assembled
- 2. SRAM Tool Bleeding Edge needed to bleed Guide Ultimate brakes (ships in current SRAM Bleed kits)
- 3. SRAM Guide Lever Internals Assembly Tool needed to service lever internals

NO.	PART NUMBER	DESCRIPTION
<b>LEVER SPARES</b>		
1	11.5018.046.006	DISC BRAKE LEVER ASSEMBLY - CARBON LEVER (ASSEMBLED, NO HOSE, INCLUDES BARB & OLIVE) VERSION 2 ARTIC GREY -GUIDE ULTIMATE
1	11.5018.046.007	DISC BRAKE LEVER ASSEMBLY - CARBON LEVER (ASSEMBLED, NO HOSE, INCLUDES BARB & OLIVE) VERSION 2 BLACK ANO -GUIDE ULTIMATE
2	11.5018.003.015	DISC BRAKE LEVER BLADE KIT - CARBON BLACK V2 (INCLUDES BLADE, PIN, REACH KNOB, CAM, PUSHROD, SPRING) - GUIDE ULTIMATE
3	11.5018.005.010	DISC BRAKE LEVER INTERNALS/SERVICE KIT - (INCLUDES PISTON ASSEMBLY, BLADDER & SPRING) - VERSION 2 GUIDE RSC/ULTIMATE/CODE RSC
4	11.5018.023.000	DISC BRAKE LEVER BEARING KIT - (INCLUDES TWO 1/8X3/8X5/32 BEARINGS, HARDWARE) - GUIDE RSC/ULT,XO TRAIL/CODE RSC/ULT/SLV, LEVEL ULT/SLV,G2 ULT, CODE ULT/CODE SLV, MAVEN ULT/SLV
5	11.5018.022.000	DISC BRAKE LEVER RESERVOIR CAP KIT - (INCLUDES RESERVOIR CAP, BLADDER & HARDWARE) - GUIDE R/RE/RS/RSC/ULTIMATE/DBS
ns	11.5018.036.020	DISC BRAKE LEVER PISTON KIT - (INCLUDES RETURN SPRING) VERSION 2 (QTY 6) - GUIDE RSC/ULTIMATE, G2 ULT (A1)
<b>HYDRAULIC LINES &amp; FITTING</b>		
6	11.5309.766.000	DISC BRAKE COMPRESSION HOSE NUT - (QTY 5)
7	11.5378.803.004	DISC BRAKE HOSE FITTING KIT - (INCLUDES 1 THREADED HOSE BARB, 1 RED COMP FITTING) - AVID & SRAM BRAKES (INCLUDES 1 THREADED HOSEBARB, 1 RED COMP FITTING) QTY 1 - STEALTHAMAJIG
8	00.5318.038.000	Disc Brake Hydraulic Hose Kit - Silver Banjo -2000mmBlk (inc. banjo, fittings) - XX,Juicy5/7/,Guide R/RS/RSC/Ult (B1),Guide T(A1), G2 RSC/ULT,Level 4Piston ULT/SLV(C1), MAVEN ULT/SLV (A1)
<b>LEVER CLAMPS</b>		
9	11.5315.048.050	DISC BRAKE LEVER CLAMP - (MMX) SILVER (STAINLESS STEEL BOLTT25) - G2 (A1), GUIDE (A1-B1), LEVEL ULT/TLM/TL,CODE RSC/R, DB5 ELIXIR 9/7/ CR MAG/X0/ XX, QTY 1
9	11.5315.048.070	DISC BRAKE LEVER CLAMP - (MMX) BLACK (STAINLESS STEEL BOLT T25) - G2 (A1), GUIDE (A1-B1),LEVEL ULT/TLM/TL,CODE RSC/R, DB5 ELIXIR 9/7/ CR MAG/X0/ XX, QTY 1
9	11.5315.048.080	DISC BRAKE LEVER CLAMP - (MMX) BLACK (TI BOLT T25) - G2 (A1), GUIDE (A1-B1), LEVEL ULT/TLM/TL, CODE RSC/R,DB5 ELIXIR9/7/CR MAG/X0/ XX, QTY 1
<b>TOOLS</b>		
10	00.5318.015.000	LEVER INTERNALS ASSEMBLY TOOL (FOR SETTING PUSHROD DISTANCE AND INSTALLING INTERNALS) -GUIDE ULT/RSC,CODE RSC/ULT/SLV, MAVEN ULT/SLV
11	00.5318.015.001	SRAM TOOL BLEEDING EDGE (WORKS WITH AVID/SRAM PRO BLEED KITS) -S4/MONOBLOCK CALIPERS,GUIDE ULT/RSC/RS/R (B1)/T (A1), LEVEL ULT/SLV/TLM (A1),G2,CODE A1-C1
12	00.5318.025.000	LEVER PIVOT BEARING PRESS TOOL- CODE ULT/RSC/SLV, XO TRAIL, LEVEL ULT/SLV, GUIDE ULT/RSC, G2 ULT, MAVEN ULT/SLV

# G2 ULTIMATE - HYDRAULIC DISC BRAKE - LEVERS A1-A2 (2020-)

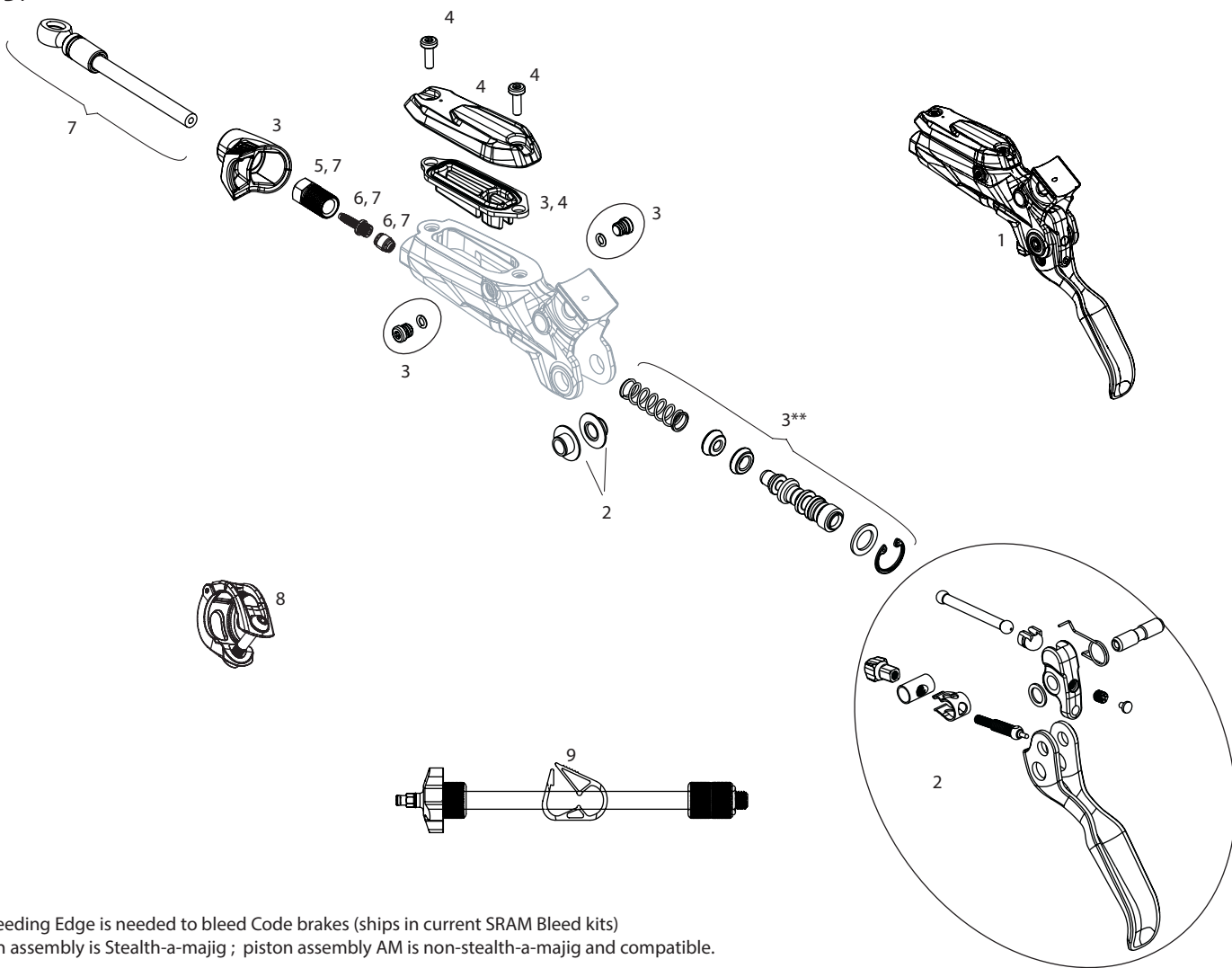
DB-G2-ULT-A1 DB-G2-ULT-A2



NO.	PART NUMBER	DESCRIPTION
		<b>LEVER SPARES</b>
1	11.5018.053.001	DISC BRAKE LEVER BLADE KIT - CARBON BLACK (INCLUDES BLADE, PIN, REACH KNOB, CAM, PUSHROD, SPRING) - G2 ULT
2	11.5018.054.000	DISC BRAKE LEVER INTERNALS/SERVICE KIT - (INCLUDES PISTON ASSEMBLY, BLADDER & SPRING) - G2 RSC/ULT
3	11.5018.055.000	DISC BRAKE LEVER RESERVOIR CAP KIT - (INCLUDES RESERVOIR CAP, BLADDER & HARDWARE) - G2 R/RS/RSC/ULTIMATE
4	11.5018.052.010	DISC BRAKE LEVER ASSEMBLY - CARBON LEVER (ASSEMBLED, NO HOSE, INCLUDES BARB & OLIVE) POLAR GREY ANO- G2 ULT (A2)
4	11.5018.052.008	DISC BRAKE LEVER ASSEMBLY - CARBON LEVER (ASSEMBLED, NO HOSE, INCLUDES BARB & OLIVE) GLOSS BLACK ANO- G2 ULT (A2)
4	11.5018.052.011	DISC BRAKE LEVER ASSEMBLY - CARBON LEVER (ASSEMBLED, NO HOSE, INCLUDES BARB & OLIVE) GLOSS BLACK RAINBOW ANO- G2 ULT (A2)
5	11.5018.036.020	DISC BRAKE LEVER PISTON KIT - (INCLUDES RETURN SPRING) VERSION 2 (QTY 6) - GUIDE RSC/ULTIMATE, G2 ULT (A1)
6	11.5018.023.000	DISC BRAKE LEVER BEARING KIT - (INCLUDES TWO 1/8X3/8X5/32 BEARINGS, HARDWARE) - GUIDE RSC/ULT,X0 TRAIL/CODE RSC/ULT/SLV,LEVEL ULT/SLV,G2 ULT,CODE ULT/CODE SLV, MAVEN ULT/SLV
ns	00.5318.029.001	Disc Brake Lever Hardware Upgrade Kit - Rainbow (includes reservoir cap bolts, bleed screws, swinglink pins, mmx bolts, pivot bolts) to upgrade QTY 2 levers, G2 ULT/RSC
		<b>HYDRAULIC LINES &amp; FITTING</b>
7	11.5309.766.000	DISC BRAKE COMPRESSION HOSE NUT - (QTY 5)
8	11.5378.803.004	DISC BRAKE HOSE FITTING KIT - (INCLUDES 1 THREADED HOSE BARB, 1 RED COMP FITTING) - AVID & SRAM BRAKES (INCLUDES 1 THREADED HOSEBARB, 1 RED COMP FITTING) QTY 1 - STEALTHAMAJIG
9	00.5318.038.000	Disc Brake Hydraulic Hose Kit - Silver Banjo -2000mmBlk (inc. banjo, fittings) - XX, Juicy5/7/,Guide R/RS/RSC/Ult (B1),Guide T(A1),G2 RSC/ULT,Level 4Piston ULT/SLV(C1), MAVEN ULT/SLV (A1)
		<b>LEVER CLAMPS</b>
10	11.5315.048.050	DISC BRAKE LEVER CLAMP - (MMX) SILVER (STAINLESS STEEL BOLT T25) - G2 (A1), GUIDE (A1-B1), LEVEL ULT/TLM/TL,CODE RSC/R, DB5 ELIXIR 9/7/CR MAG/X0/ XX, QTY 1
10	11.5315.048.070	DISC BRAKE LEVER CLAMP - (MMX) BLACK (STAINLESS STEEL BOLT T25) - G2 (A1), GUIDE (A1-B1),LEVEL ULT/TLM/TL,CODE RSC/R, DB5 ELIXIR 9/7/CR MAG/X0/ XX, QTY 1
10	11.5315.048.080	DISC BRAKE LEVER CLAMP - (MMX) BLACK (TI BOLT T25) - G2 (A1), GUIDE (A1-B1), LEVEL ULT/TLM/TL, CODE RSC/R,DB5 ELIXIR9/7/CR MAG/X0/ XX, QTY 1
		<b>TOOLS</b>
11	00.5318.015.000	LEVER INTERNALS ASSEMBLY TOOL (FOR SETTING PUSHROD DISTANCE AND INSTALLING INTERNALS) -GUIDE ULT/RSC,CODE RSC/ULT/SLV, MAVEN ULT/SLV
12	00.5318.015.001	SRAM TOOL BLEEDING EDGE (WORKS WITH AVID/SRAM PRO BLEED KITS) -S4/MONOBLOCK CALIPERS,GUIDE ULT/RSC/RS/R (B1)/T (A1),LEVEL ULT/SLV/TLM (A1),G2,CODE A1-C1
13	00.5318.025.000	LEVER PIVOT BEARING PRESS TOOL- CODE ULT/RSC/SLV, X0 TRAIL, LEVEL ULT/SLV, GUIDE ULT/RSC, G2 ULT, MAVEN ULT/SLV

# CODE R - HYDRAULIC DISC BRAKE - LEVERS B1(2018-2023)

DB-CODE-R-B1



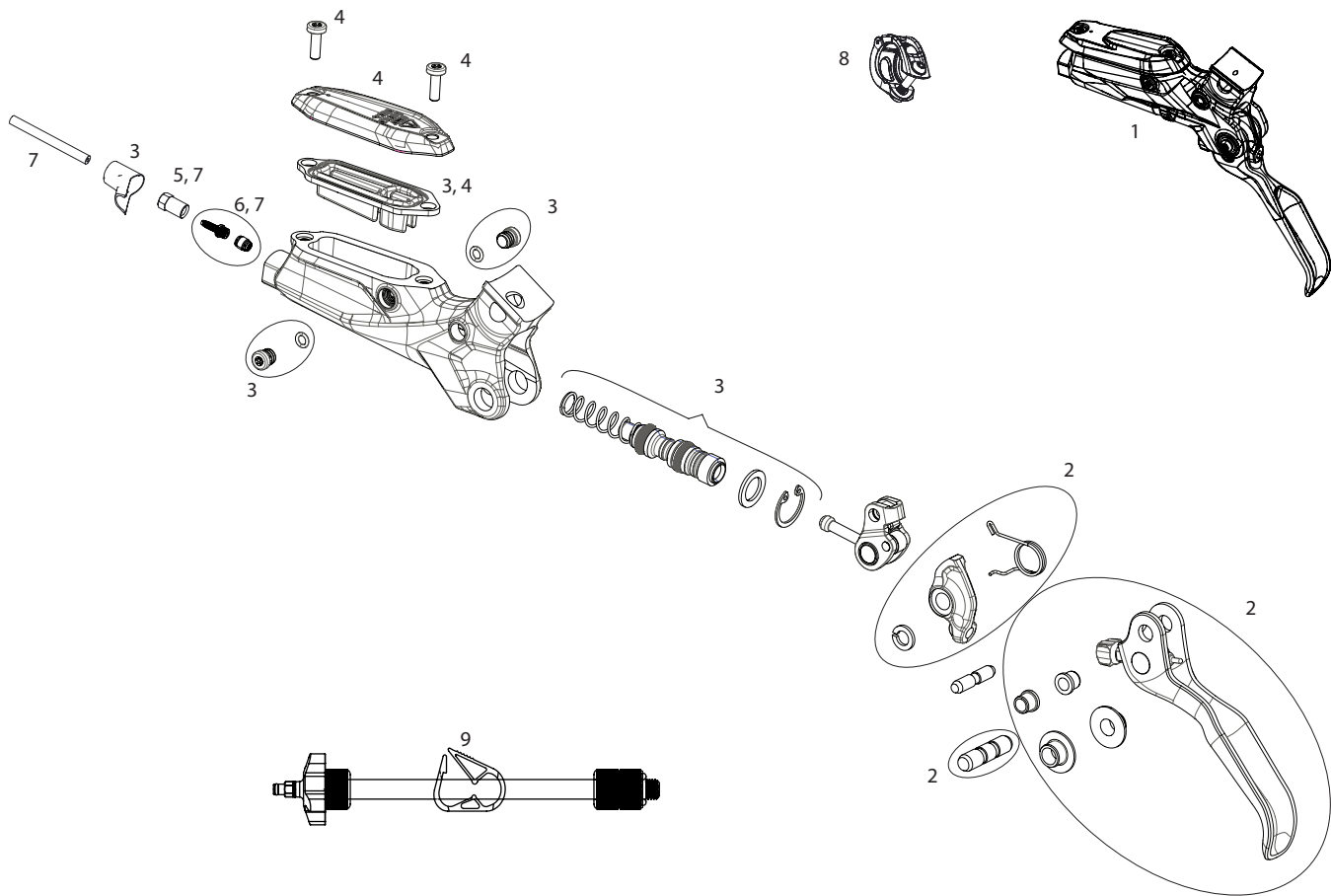
**Notes:**

- 1. SRAM Tool Bleeding Edge is needed to bleed Code brakes (ships in current SRAM Bleed kits)
- \*\* In OEM piston assembly is Stealth-a-majig ; piston assembly AM is non-stealth-a-majig and compatible.

NO.	PART NUMBER	DESCRIPTION
<b>LEVER SPARES</b>		
1	11.5018.046.014	DISC BRAKE LEVER ASSEMBLY - ALUMINUM LEVER (ASSEMBLED, NO HOSE, INCLUDES BARB & OLIVE) VERSION 2 DARK GREY - CODE R
1	11.5018.046.015	DISC BRAKE LEVER ASSEMBLY - ALUMINUM LEVER (ASSEMBLED, NO HOSE, INCLUDES BARB & OLIVE) VERSION 2 DIFFUSION BLACK - CODE R
2	11.5018.003.019	DISC BRAKE LEVER BLADE KIT - ALUMINUM BLACK (INCLUDES BLADE, DOWEL, PUSHROD & BUSHINGS) - CODE R
3	11.5018.005.008	DISC BRAKE LEVER INTERNALS/SERVICE KIT - (INCLUDES PISTON ASSEMBLY, BLADDER & SPRING) - VERSION 2 GUIDE R/RE/DB5/ CODE R/G2 R
4	11.5018.022.002	DISC BRAKE LEVER RESERVOIR CAP KIT - (INCLUDES RESERVOIR CAP, BLADDER & HARDWARE) - CODE R B1/RS/RSC A1
<b>HYDRAULIC LINES &amp; FITTING</b>		
5	11.5309.766.000	DISC BRAKE COMPRESSION HOSE NUT - (QTY 5)
6	11.5378.803.004	DISC BRAKE HOSE FITTING KIT - (INCLUDES 1 THREADED HOSE BARB, 1 RED COMP FITTING) - AVID & SRAM BRAKES
7	00.5318.039.000	Disc Brake Hydraulic Hose Kit - Black Banjo -2000mmBlk(inc. banjo, fittings) - Level ULT/TLM (A1), CODE R/RS/RSC/ULT/SLV/BRZ (B1/C1), Red eTap HRD,S900 Monoblock
<b>LEVER CLAMPS</b>		
8	11.5315.048.050	DISC BRAKE LEVER CLAMP - (MMX) SILVER (STAINLESS STEEL BOLT T25) - G2 (A1), GUIDE (A1-B1), LEVEL ULT/TLM/TL, CODE RSC/R, DB5 ELIXIR 9/7/CR MAG/X0/ XX, QTY 1
8	11.5315.048.070	DISC BRAKE LEVER CLAMP - (MMX) BLACK (STAINLESS STEEL BOLT T25) - G2 (A1), GUIDE (A1-B1), LEVEL ULT/TLM/TL, CODE RSC/R, DB5 ELIXIR 9/7/CR MAG/X0/ XX, QTY 1
8	11.5315.048.080	DISC BRAKE LEVER CLAMP - (MMX) BLACK (TI BOLT T25) - G2 (A1), GUIDE (A1-B1), LEVEL ULT/TLM/TL, CODE RSC/R, DB5 ELIXIR 9/7/CR MAG/X0/ XX, QTY 1
<b>TOOLS</b>		
9	00.5318.015.001	SRAM TOOL BLEEDING EDGE (WORKS WITH AVID/SRAM PRO BLEED KITS) -S4/MONOBLOCK CALIPERS, GUIDE ULT/RSC/RS/R (B1)/ T (A1), LEVEL ULT/SLV/TLM (A1), G2, CODE A1-C1

# CODE RS - HYDRAULIC DISC BRAKE - LEVERS A1(2018-2023)

DB-CODE-RS-A1



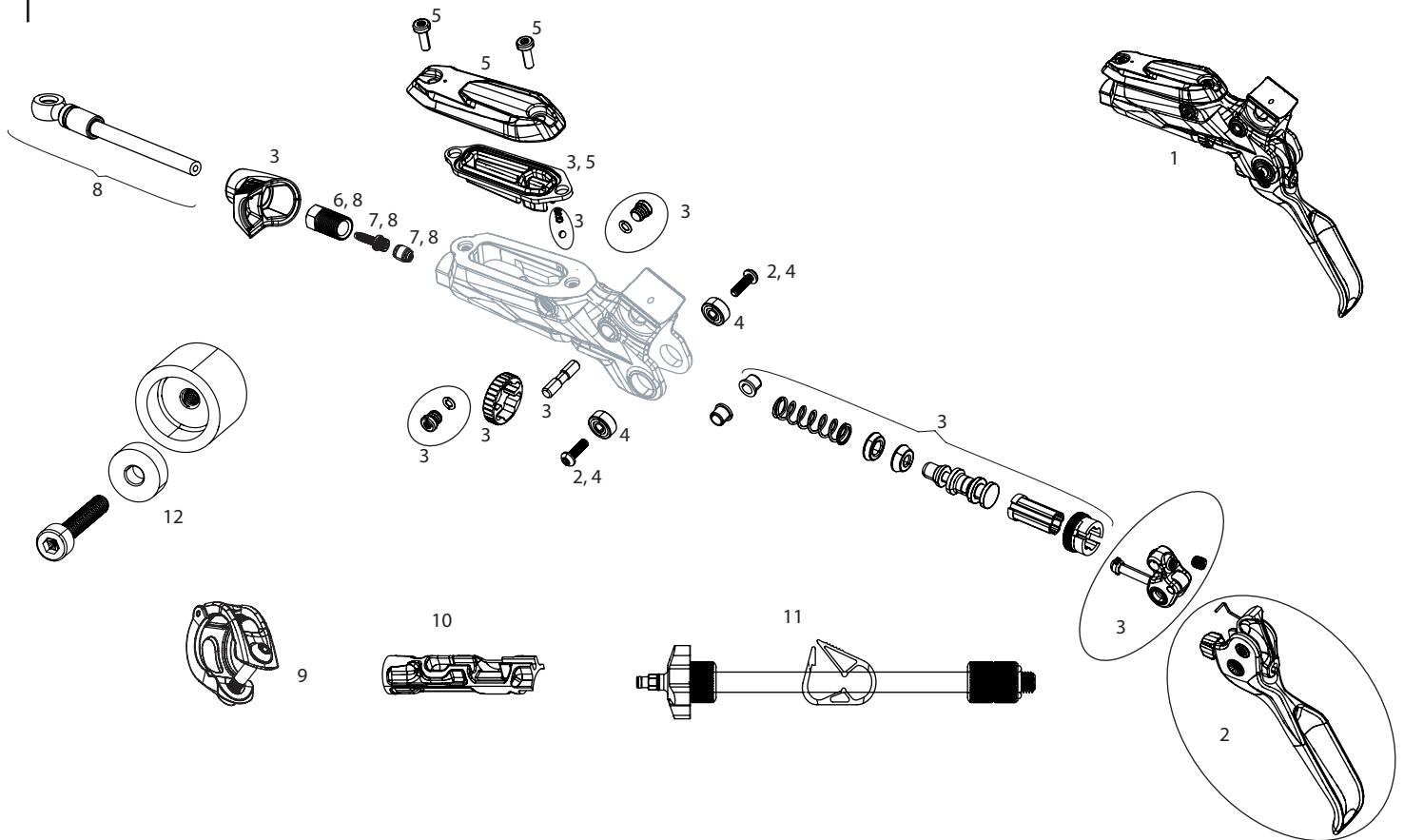
**Notes:**

1. SRAM Tool Bleeding Edge is needed to bleed Code brakes (ships in current SRAM Bleed kits)
2. Code RS lever assemblies are not available as Aftermarket replacements. Please replace with Code RSC lever assembly.

NO.	PART NUMBER	
<b>LEVER SPARES</b>		
1	11.5018.046.016	DISC BRAKE LEVER ASSEMBLY - ALUMINUM LEVER (ASSEMBLED, NO HOSE, INCLUDES BARB & OLIVE) VERSION 2 BLACK -CODE RSC
2	11.5018.003.013	DISC BRAKE LEVER BLADE KIT - ALUMINUM BLACK V2 (INCLUDES BLADE, PIN, REACH KNOB, CAM, PUSHROD, SPRING & BUSHINGS) - GUIDE RS / CODE RS
3	11.5018.054.001	DISC BRAKE LEVER INTERNALS/SERVICE KIT - (INCLUDES PISTON ASSEMBLY, BLADDER, AND SPRING) - G2 RS A1 / CODE RS A1
4	11.5018.022.002	DISC BRAKE LEVER RESERVOIR CAP KIT - (INCLUDES RESERVOIR CAP, BLADDER & HARDWARE) - CODE R B1/RS/RSC A1
<b>HYDRAULIC LINES &amp; FITTING</b>		
5	11.5309.766.000	DISC BRAKE COMPRESSION HOSE NUT - (QTY 5)
6	11.5378.803.004	DISC BRAKE HOSE FITTING KIT - (INCLUDES 1 THREADED HOSE BARB, 1 RED COMP FITTING) - AVID & SRAM BRAKES
7	00.5318.039.000	Disc Brake Hydraulic Hose Kit - Black Banjo -2000mmBlk(inc. banjo, fittings) - Level ULT/TLM (A1), CODE R/RS/RSC/ULT/SLV/BRZ (B1/C1), Red eTap HRD,S900 Monoblock
<b>LEVER CLAMPS</b>		
8	11.5315.048.050	DISC BRAKE LEVER CLAMP - (MMX) SILVER (STAINLESS STEEL BOLT T25) - G2 (A1), GUIDE (A1-B1), LEVEL ULT/TLM/TL, CODE RSC/R, DB5 ELIXIR 9/7/CR MAG/X0/ XX, QTY 1
8	11.5315.048.070	DISC BRAKE LEVER CLAMP - (MMX) BLACK (STAINLESS STEEL BOLT T25) - G2 (A1), GUIDE (A1-B1), LEVEL ULT/TLM/TL, CODE RSC/R, DB5 ELIXIR 9/7/CR MAG/X0/ XX, QTY 1
8	11.5315.048.080	DISC BRAKE LEVER CLAMP - (MMX) BLACK (TI BOLT T25) - G2 (A1), GUIDE (A1-B1), LEVEL ULT/TLM/TL, CODE RSC/R, DB5 ELIXIR 9/7/CR MAG/X0/ XX, QTY 1
<b>TOOLS</b>		
9	00.5318.015.001	SRAM TOOL BLEEDING EDGE (WORKS WITH AVID/SRAM PRO BLEED KITS) -S4/MONOBLOCK CALIPERS, GUIDE ULT/RSC/RS/R (B1)/T (A1), LEVEL ULT/SLV/TLM (A1), G2, CODE A1-C1

# CODE RSC - HYDRAULIC DISC BRAKE - LEVERS A1(2018-2023)

DB-CODE-RSC-A1



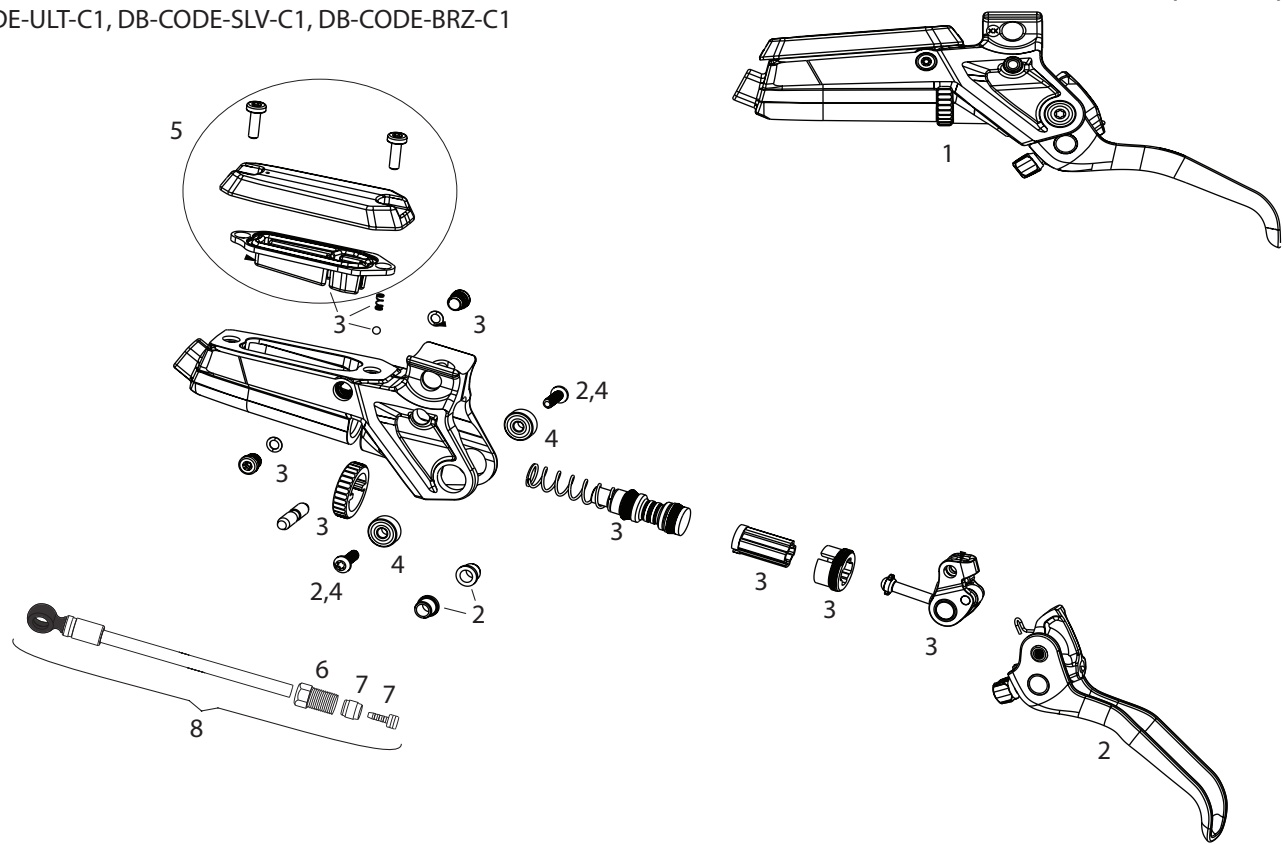
**Notes:**

1. SRAM Tool Bleeding Edge is needed to bleed Code brakes (ships in current SRAM Bleed kits)

NO.	PART NUMBER	DESCRIPTION
<b>LEVER SPARES</b>		
1	11.5018.046.016	DISC BRAKE LEVER ASSEMBLY - ALUMINUM LEVER (ASSEMBLED, NO HOSE, INCLUDES BARB & OLIVE) VERSION 2 BLACK -CODE RSC
2	11.5018.003.014	DISC BRAKE LEVER BLADE KIT - ALUMINUM BLACK V2 (INCLUDES BLADE, PIN, REACH KNOB, CAM, PUSHROD, SPRING) - GUIDE RSC/CODE RSC
3	11.5018.005.010	DISC BRAKE LEVER INTERNALS/SERVICE KIT - (INCLUDES PISTON ASSEMBLY, BLADDER & SPRING) - VERSION 2 GUIDE RSC/ULTIMATE/CODE RSC
4	11.5018.023.000	DISC BRAKE LEVER BEARING KIT - (INCLUDES TWO 1/8X3/8X5/32 BEARINGS, HARDWARE) - GUIDE RSC/ULT,X0 TRAIL/CODE RSC/ULT/SLV,LEVEL ULT/SLV,G2 ULT,CODE ULT/CODE SLV, MAVEN ULT/SLV
5	11.5018.022.002	DISC BRAKE LEVER RESERVOIR CAP KIT - (INCLUDES RESERVOIR CAP, BLADDER & HARDWARE) - CODE R B1/RSC A1
<b>HYDRAULIC LINES &amp; FITTING</b>		
6	11.5309.766.000	DISC BRAKE COMPRESSION HOSE NUT - (QTY 5)
7	11.5378.803.004	DISC BRAKE HOSE FITTING KIT - (INCLUDES 1 THREADED HOSE BARB, 1 RED COMP FITTING) - AVID & SRAM BRAKES
8	00.5318.039.000	Disc Brake Hydraulic Hose Kit - Black Banjo -2000mmBlk(inc. banjo, fittings) - Level ULT/TLM (A1), CODE R/RS/RSC/ULT/SLV/BRZ (B1/C1), Red eTap HRD,S900 Monoblock
<b>LEVER CLAMPS</b>		
9	11.5315.048.050	DISC BRAKE LEVER CLAMP - (MMX) SILVER (STAINLESS STEEL BOLT T25) - G2 (A1), GUIDE (A1-B1), LEVEL ULT/TLM/TL,CODE RSC/R, DB5 ELIXIR 9/7/CR MAG/X0/ XX, QTY 1
9	11.5315.048.070	DISC BRAKE LEVER CLAMP - (MMX) BLACK (STAINLESS STEEL BOLT T25) - G2 (A1), GUIDE (A1-B1),LEVEL ULT/TLM/TL,CODE RSC/R, DB5 ELIXIR 9/7/CR MAG/X0/ XX, QTY 1
9	11.5315.048.080	DISC BRAKE LEVER CLAMP - (MMX) BLACK (TI BOLT T25) - G2 (A1), GUIDE (A1-B1), LEVEL ULT/TLM/TL, CODE RSC/R,DB5 ELIXIR9/7/CR MAG/X0/ XX, QTY 1
<b>TOOLS</b>		
10	00.5318.015.000	LEVER INTERNALS ASSEMBLY TOOL (FOR SETTING PUSHROD DISTANCE AND INSTALLING INTERNALS) -GUIDE ULT/RSC,CODE RSC/ULT/SLV, MAVEN ULT/SLV
11	00.5318.015.001	SRAM TOOL BLEEDING EDGE (WORKS WITH AVID/SRAM PRO BLEED KITS) -S4/MONOBLOCK CALIPERS,GUIDE ULT/RSC/RS/R (B1)/T (A1),LEVEL ULT/SLV/TLM (A1),G2,CODE A1-C1
12	00.5318.025.000	LEVER PIVOT BEARING PRESS TOOL- CODE ULT/RSC/SLV, XO TRAIL, LEVEL ULT/SLV, GUIDE ULT/RSC, G2 ULT, MAVEN ULT/SLV

# CODE STEALTH ULTIMATE/SILVER/BRONZE - HYDRAULIC DISC BRAKE - LEVERS C1 (2024+)

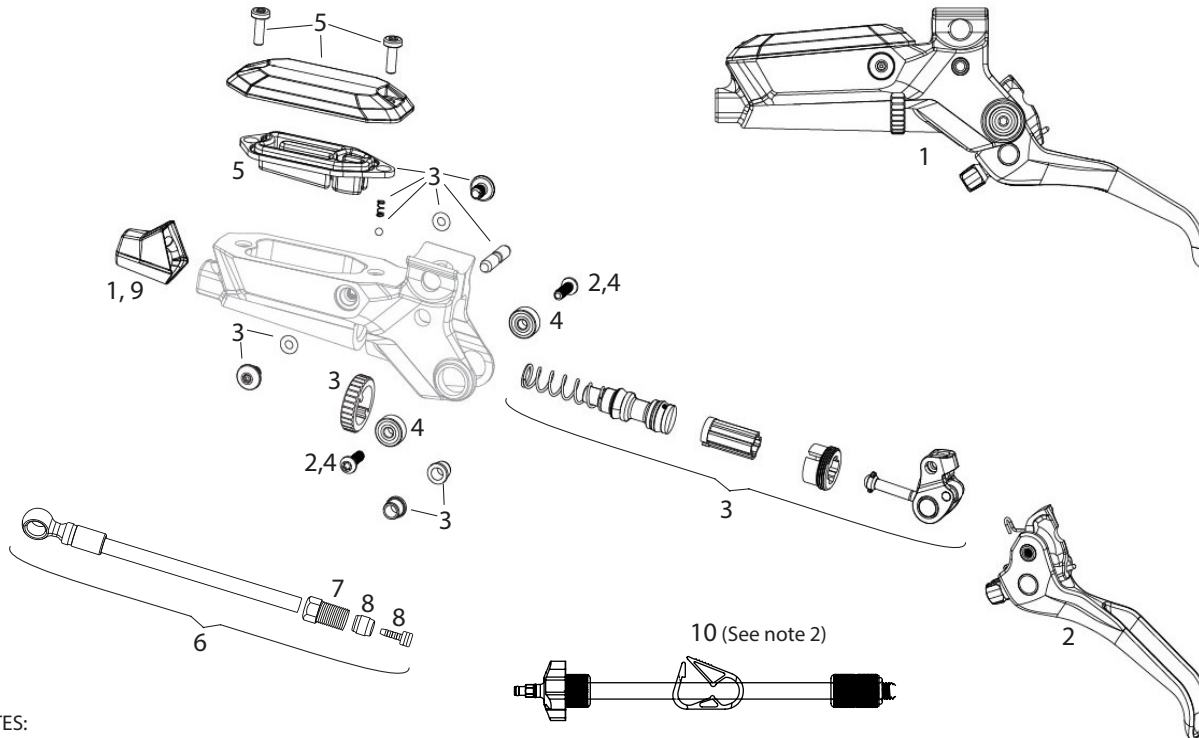
DB-CODE-ULT-C1, DB-CODE-SLV-C1, DB-CODE-BRZ-C1



NO	PART NUMBER	DESCRIPTION
	<b>LEVER SPARES</b>	
1	11.5018.052.014	DISC BRAKE LEVER ASSEMBLY - CARBON LEVER (ASSEMBLED, NO HOSE, INCLUDES BARB,OLIVE,BOOT) BLACK ANO - CODE ULTIMATE STEALTH C1
1	11.5018.052.015	DISC BRAKE LEVER ASSEMBLY - ALUMINUM LEVER (ASSEMBLED, NO HOSE, INCLUDES BARB,OLIVE,BOOT) BLACK ANO - CODE SILVER STEALTH C1
ns	11.5018.052.016	DISC BRAKE LEVER ASSEMBLY - ALUMINUM LEVER (ASSEMBLED, NO HOSE, INCLUDES BARB,OLIVE,BOOT) DARK POLAR - CODE BRONZE STEALTH C1
2	11.5018.053.005	DISC BRAKE LEVER BLADE KIT - CARBON LEVER BLACK (INCLUDES BLADE, REACH KNOB, CAM, SPRING) - CODE ULTIMATE STEALTH C1
2	11.5018.053.006	DISC BRAKE LEVER BLADE KIT - ALUMINUM LEVER BLACK (INCLUDES BLADE, REACH KNOB, CAM, SPRING, BUSHING) - CODE SILVER STEALTH C1
ns	11.5018.053.007	DISC BRAKE LEVER BLADE KIT - ALUMINUM LEVER BLACK (INCLUDES BLADE, REACH KNOB, CAM, SPRING, BUSHING) - CODE BRONZE STEALTH C1
3	11.5018.054.002	DISC BRAKE LEVER INTERNALS/SERVICE KIT - (INCLUDES PISTON ASSEMBLY, BLADDER, SPRING) - CODE ULTIMATE/SILVER STEALTH C1
ns	11.5018.054.003	DISC BRAKE LEVER INTERNALS/SERVICE KIT - (INCLUDES PISTON ASSEMBLY, BLADDER & SPRING) - CODE BRONZE STEALTH C1
4	11.5018.023.000	DISC BRAKE LEVER BEARING KIT - (INCLUDES TWO 1/8X3/8X5/32 BEARINGS, HARDWARE) - GUIDE RSC/ULT,XO TRAIL/CODE RSC/ULT/SLV, LEVEL ULT/SLV,G2 ULT, CODE ULT/CODE SLV, MAVEN ULT/SLV
5	11.5018.055.002	DISC BRAKE LEVER RESERVOIR CAP KIT - (INCLUDES RESERVOIR CAP, BLADDER, HARDWARE) - CODE ULTIMATE/SILVER/BRONZE STEALTH C1
ns	11.5018.068.000	DISC BRAKE LEVER HOSE BOOT- QTY 2 - CODE ULTIMATE/SILVER/BRONZE STEALTH C1
ns	11.5018.069.000	CABLE GUIDE CLIPS STEM INTEGRATED QTY 10 - STEALTH BRAKE LINES
ns	11.5018.069.001	CABLE GUIDE CLIPS ADHESIVE MOUNT QTY 10 - STEALTH BRAKE LINES
	<b>HYDRAULIC LINES &amp; FITTINGS</b>	
6	11.5309.766.000	DISC BRAKE COMPRESSION HOSE NUT - (QTY 5)
7	11.5378.803.004	DISC BRAKE HOSE FITTING KIT - (INCLUDES 1 THREADED HOSE BARB, 1 RED COMP FITTING) - AVID & SRAM BRAKES
8	00.5318.039.000	Disc Brake Hydraulic Hose Kit - Black Banjo -2000mmBlk(inc. banjo, fittings) - Level ULT/TLM (A1), CODE R/RSC/ULT/SLV/BRZ (B1/C1), Red eTap HRD,S900 Monoblock
	<b>LEVER CLAMPS</b>	
ns	00.5315.018.052	MATCHMAKER X, PAIR, BLACK, STAINLESS T25 BLACK BOLTS (COMPATIBLE WITH SRAM MMX-COMPATIBLE SHIFTERS) - CODE, G2, GUIDE, LEVEL, ELIXIR, DB, Maven
ns	00.5315.018.053	MATCHMAKER X, SINGLE LEFT, BLACK, STAINLESS T25 BLACK BOLTS (COMPATIBLE WITH SRAM MMX-COMPATIBLE SHIFTERS) - CODE, G2, GUIDE, LEVEL, ELIXIR, DB, Maven
ns	00.5315.018.054	MATCHMAKER X, SINGLE RIGHT, BLACK, STAINLESS T25 BLACK BOLTS (COMPATIBLE WITH SRAM MMX-COMPATIBLE SHIFTERS) - CODE, G2, GUIDE, LEVEL, ELIXIR, DB, Maven
	<b>TOOLS</b>	
ns	00.5318.015.000	LEVER INTERNALS ASSEMBLY TOOL (FOR SETTING PUSHROD DISTANCE AND INSTALLING INTERNALS) -GUIDE ULT/RSC, CODE RSC/ULT/SLV, MAVEN ULT/SLV
ns	00.5318.015.001	SRAM TOOL BLEEDING EDGE (WORKS WITH AVID/SRAM PRO BLEED KITS) -S4/MONOBLOCK CALIPERS, GUIDE ULT/RSC/RS/R (B1)/T (A1), LEVEL ULT/SLV/TLM (A1),G2, CODE A1-C1
ns	00.5318.025.000	LEVER PIVOT BEARING PRESS TOOL- CODE ULT/RSC/SLV, XO TRAIL, LEVEL ULT/SLV, GUIDE ULT/RSC, G2 ULT, MAVEN ULT/SLV
ns	00.5318.045.000	Standard Brake Bleed Kit (includes 2 syringes/fittings, bleed blocks, Torx tool, crowfoot, Bleeding Edge Fitting, DOT5.1 hydraulic fluid) V2 - SRAM XO/ XX/ Guide/Level/Code/HydroR/G2
ns	00.5318.045.001	Standard Brake Bleed Kit (includes 2 syringes/fittings, bleed blocks, Torx tool, crowfoot, Bleeding Edge Fitting) V2 - SRAM XO/ XX/ Guide/Level/Code/HydroR/G2
ns	00.5318.045.002	Pro Brake Bleed Kit (includes 2 syringes/fittings, bleed blocks, Torx tool, crowfoot, Bleeding Edge Fitting, DOT 5.1 hydraulic fluid) V2 - SRAM XO/ XX/ Guide/Level/Code/HydroR/G2
ns	00.5318.045.003	Pro Brake Bleed Kit (includes 2 syringes/fittings, bleed blocks, Torx tool, crowfoot, Bleeding Edge Fitting) V2 - SRAM XO/ XX/ Guide/Level/Code/HydroR/G2

# MAVEN ULTIMATE/SILVER - HYDRAULIC DISC BRAKE - LEVERS A1 (2025+)

DB-MVN-ULT-A1, DB-MVN-SLV-A1



**NOTES:**

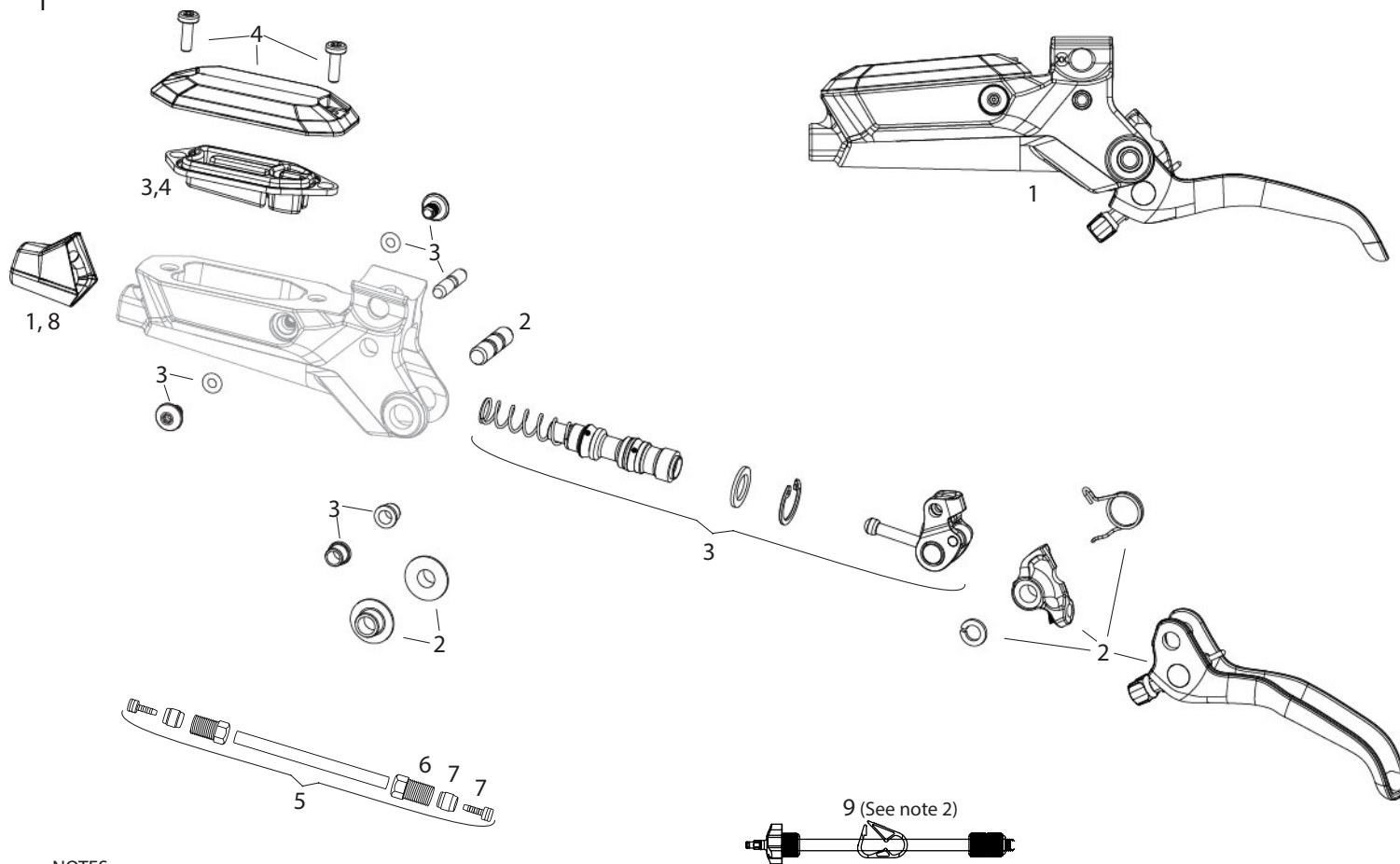
1. SRAM DOT Assembly Grease is also compatible with SRAM Mineral Oil brakes
2. SRAM Mineral Oil Bleed Kit w/ green Bleeding Edge Tool needed to bleed Maven brakes

NO	PART NUMBER	
<b>LEVER SPARES</b>		
1	11.5018.052.021	DISC BRAKE LEVER ASSEMBLY - ALUMINUM LEVER (ASSEMBLED, NO HOSE, INCLUDES BARB, OLIVE, BOOT) SILVER ANO- MAVEN ULTIMATE A1
1	11.5018.052.024	DISC BRAKE LEVER ASSEMBLY - ALUMINUM LEVER (ASSEMBLED, NO HOSE, INCLUDES BARB, OLIVE, BOOT) BLACK ANO- MAVEN SILVER A1
2	11.5018.053.013	DISC BRAKE LEVER BLADE KIT -ALUMINUM LEVER BLACK (INCLUDES BLADE, REACH KNOB, CAM, SPRING) - MAVEN ULTIMATE A1
2	11.5018.053.011	DISC BRAKE LEVER BLADE KIT -ALUMINUM LEVER BLACK (INCLUDES BLADE, REACH KNOB, CAM, SPRING) - MAVEN SILVER A1
3	11.5018.054.005	DISC BRAKE LEVER INTERNALS/SERVICE KIT - (INCLUDES PISTON ASSEMBLY, BLADDER & SPRING) - MAVEN ULTIMATE/SILVER A1
4	11.5018.023.000	DISC BRAKE LEVER BEARING KIT - (INCLUDES TWO 1/8X3/8X5/32 BEARINGS & HARDWARE) - GUIDE RSC/ULT,XO TRAIL/CODE RSC/ULT/SLV,LEVEL ULT/SLV,G2 ULT, CODE ULT/CODE SLV, MAVEN ULT/SLV, MAVEN ULT/SLV
5	11.5018.055.004	DISC BRAKE LEVER RESERVOIR CAP KIT - (INCLUDES RESERVOIR CAP, BLADDER & HARDWARE) - MAVEN ULTIMATE/SILVER/BRONZE A1
<b>HYDRAULIC LINES &amp; FITTINGS</b>		
6	00.5318.038.000	DISC BRAKE HYDRAULIC HOSE KIT - SILVER BANJO -2000MMBLK (INC. BANJO, FITTINGS) - XX, JUICY5/7/, GUIDE R/RS/RSC/ULT (B1), GUIDE T(A1), G2 RSC/ULT, MAVEN ULT/SLV (A1)
7	11.5309.766.000	DISC BRAKE COMPRESSION HOSE NUT - (QTY 5)
8	11.5378.803.004	DISC BRAKE HOSE FITTING KIT - (INCLUDES 1 THREADED HOSE BARB, 1 RED COMP FITTING) - AVID & SRAM BRAKES
9	11.5018.068.002	DISC BRAKE LEVER HOSE BOOT- QTY 2 - MAVEN ULTIMATE/SILVER/BRONZE A1
ns	11.5018.069.000	CABLE GUIDE CLIPS STEM INTEGRATED QTY 10 - STEALTH BRAKE LINES
ns	11.5018.069.001	CABLE GUIDE CLIPS ADHESIVE MOUNT QTY 10 - STEALTH BRAKE LINES
<b>LEVER CLAMPS</b>		
ns	00.5315.018.052	MatchMaker X, Pair, Black, Stainless T25 Black Bolts (compatible with SRAM MMX-compatible shifters) - Code, G2, Guide, Level, Elixir, DB, Maven
ns	00.5315.018.053	MatchMaker X, Single Left, Black, Stainless T25 Black Bolts (compatible with SRAM MMX-compatible shifters) - Code, G2, Guide, Level, Elixir, DB, Maven
ns	00.5315.018.054	MatchMaker X, Single Right, Black, Stainless T25 Black Bolts (compatible with SRAM MMX-compatible shifters) - Code, G2, Guide, Level, Elixir, DB, Maven
<b>TOOLS</b>		
ns	00.5318.015.000	LEVER INTERNALS ASSEMBLY TOOL (FOR SETTING PUSHROD DISTANCE AND INSTALLING INTERNALS) -GUIDE ULT/RSC,CODE RSC/ULT/SLV, MAVEN ULT/SLV
ns	00.5318.025.000	LEVER PIVOT BEARING PRESS TOOL- CODE ULT/RSC/SLV, XO TRAIL, LEVEL ULT/SLV, GUIDE ULT/RSC, G2 ULT, MAVEN ULT/SLV, MAVEN ULT
<b>BLEED KITS</b>		
ns	00.5318.031.004	Pro Mineral Oil Bleed Kit (includes 2 Premium Syringes, M4 fittings, bleed blocks, Torx tool, crowfoot, Bleeding Edge Fitting, Maxima Mineral Oil) - DB8, Maven
ns	00.5318.031.005	Pro Mineral Oil Bleed Kit (includes 2 Premium Syringes, M4 fittings, bleed blocks, Torx tool, crowfoot, Bleeding Edge Fitting) - DB8, Maven
ns	00.5318.031.006	Standard Mineral Oil Bleed Kit (includes 2 Standard Syringes, M4 fittings, bleed blocks, Torx tool, crowfoot, Bleeding Edge Fitting, Maxima Mineral Oil) - DB8, Maven
ns	00.5318.031.007	Standard Mineral Oil Bleed Kit (includes 2 Standard Syringes, M4 fittings, bleed blocks, Torx tool, crowfoot, Bleeding Edge Fitting) - DB8, Maven
10	00.5318.031.008	BLEEDING EDGE FITTING (WORKS WITH V1 AND STANDARD V2 MINERAL BRAKE BLEED KITS) - MINERAL BRAKES WITH BLEEDING EDGE CALIPER FITTING, MAVEN



# MAVEN BRONZE - HYDRAULIC DISC BRAKE - LEVERS A1 (2025+)

DB-MVN-BRZ-A1



## NOTES:

1. SRAM DOT Assembly Grease is also compatible with SRAM Mineral Oil brakes
2. SRAM Mineral Oil Bleed Kit w/ green Bleeding Edge Tool needed to bleed Maven brakes

NO	PART NUMBER	
		LEVER SPARES
1	11.5018.052.022	DISC BRAKE LEVER ASSEMBLY - ALUMINUM LEVER (ASSEMBLED, NO HOSE, INCLUDES BARB, OLIVE, BOOT) DARK POLAR ANO - MAVEN BRONZE A1
2	11.5018.053.012	DISC BRAKE LEVER BLADE KIT - ALUMINUM LEVER BLACK (INCLUDES BLADE, REACH KNOB, CAM, BUSHINGS) - MAVEN BRONZE A1
3	11.5018.054.006	DISC BRAKE LEVER INTERNALS/SERVICE KIT - (INCLUDES PISTON ASSEMBLY, BLADDER & SPRING) - MAVEN BRONZE A1
4	11.5018.055.004	DISC BRAKE LEVER RESERVOIR CAP KIT - (INCLUDES RESERVOIR CAP, BLADDER & HARDWARE) - MAVEN ULTIMATE/SILVER/BRONZE A1
		HYDRAULIC LINES & FITTINGS
5	00.5318.036.000	DISC BRAKE HYDRAULIC HOSE KIT-DOUBLECOMPRESSION 2000MMBLK-CODER, ELIXIR1/3, JUICY3, DB 1/3, LEVEL 2P ULT/SLV/TLM/TL/T/4PBZR(B1+), GUIDERE, G2RE/RS/R, DB8, RED, Force, Rival(2P)eTapAXS, MAVEN BRZ (A1), MAVEN BRZ (A1)
6	11.5309.766.000	DISC BRAKE COMPRESSION HOSE NUT - (QTY 5)
7	11.5378.803.004	DISC BRAKE HOSE FITTING KIT - (INCLUDES 1 THREADED HOSE BARB, 1 RED COMP FITTING) - AVID & SRAM BRAKES
8	11.5018.068.002	DISC BRAKE LEVER HOSE BOOT- QTY 2 - MAVEN ULTIMATE/SILVER/BRONZE A1
ns	11.5018.069.000	CABLE GUIDE CLIPS STEM INTEGRATED QTY 10 - STEALTH BRAKE LINES
ns	11.5018.069.001	CABLE GUIDE CLIPS ADHESIVE MOUNT QTY 10 - STEALTH BRAKE LINES
		LEVER CLAMPS
ns	00.5315.018.052	MatchMaker X, Pair, Black, Stainless T25 Black Bolts (compatible with SRAM MMX-compatible shifters) - Code, G2, Guide, Level, Elixir, DB, Maven
ns	00.5315.018.053	MatchMaker X, Single Left, Black, Stainless T25 Black Bolts (compatible with SRAM MMX-compatible shifters) - Code, G2, Guide, Level, Elixir, DB, Maven
ns	00.5315.018.054	MatchMaker X, Single Right, Black, Stainless T25 Black Bolts (compatible with SRAM MMX-compatible shifters) - Code, G2, Guide, Level, Elixir, DB, Maven
		TOOLS
ns	00.5318.015.000	LEVER INTERNALS ASSEMBLY TOOL (FOR SETTING PUSHROD DISTANCE AND INSTALLING INTERNALS) -GUIDE ULT/RSC, CODE RSC/ULT/SLV, MAVEN ULT/SLV
		BLEED KITS
ns	00.5318.031.004	Pro Mineral Oil Bleed Kit (includes 2 Premium Syringes, M4 fittings, bleed blocks, Torx tool, crowfoot, Bleeding Edge Fitting, Maxima Mineral Oil) - DB8, Maven
ns	00.5318.031.005	Pro Mineral Oil Bleed Kit (includes 2 Premium Syringes, M4 fittings, bleed blocks, Torx tool, crowfoot, Bleeding Edge Fitting) - DB8, Maven
ns	00.5318.031.006	Standard Mineral Oil Bleed Kit (includes 2 Standard Syringes, M4 fittings, bleed blocks, Torx tool, crowfoot, Bleeding Edge Fitting, Maxima Mineral Oil) - DB8, Maven
ns	00.5318.031.007	Standard Mineral Oil Bleed Kit (includes 2 Standard Syringes, M4 fittings, bleed blocks, Torx tool, crowfoot, Bleeding Edge Fitting) - DB8, Maven
9	00.5318.031.008	BLEEDING EDGE FITTING (WORKS WITH V1 AND STANDARD V2 MINERAL BRAKE BLEED KITS) - MINERAL BRAKES WITH BLEEDING EDGE CALIPER FITTING, MAVEN

# X0 - HYDRAULIC DISC BRAKE - LEVERS (2013-2016)

DB-X0-B1



## HYDRAULIC LINES & FITTING

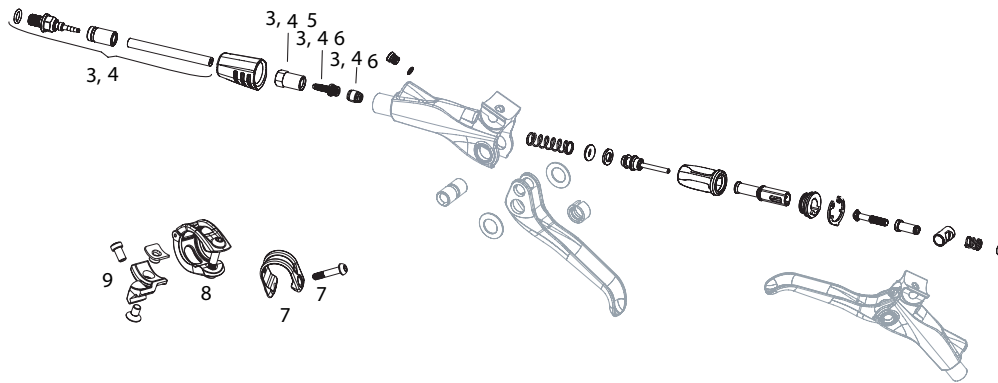
ns	00.5318.037.000	Disc Brake Hydraulic Hose Kit - Threaded Inline Crimp -2000mmBlk (inc. crimp, fittings) - Elixir 5/7/9/R/CR/X0,Guide RSC (A1),Guide R/RS (A1),DB5,Level TL/BRZ 2P
ns	11.5309.766.000	DISC BRAKE COMPRESSION HOSE NUT - (QTY 5)
ns	11.5378.803.004	DISC BRAKE HOSE FITTING KIT - (INCLUDES 1 THREADED HOSE BARB, 1 RED COMP FITTING) - AVID & SRAM BRAKES

## LEVER CLAMPS

ns	11.5315.048.010	DISC BRAKE LEVER CLAMP - (DISCRETE) BLACK (STAINLESS STEEL BOLT T25)-GUIDE ULT/RSC/RS/RE/R,LEVEL ULT/TLM/TL, CODE RSC/R,DB5 ELIXIR 9/7/CR MAG/X0/ XX, QTY 1
ns	11.5315.048.090	DISC BRAKE LEVER CLAMP - (DISCRETE) BLACK (TI BOLT T25) - GUIDE ULT/RSC/RS/RE/R,LEVEL ULT/TLM/TL, CODE RSC/R, DB5 ELIXIR9/7/CR MAG/X0/ XX, QTY 1
ns	11.5315.048.050	DISC BRAKE LEVER CLAMP - (MMX) SILVER (STAINLESS STEEL BOLT T25) - G2 (A1), GUIDE (A1-B1), LEVEL ULT/TLM/TL, CODE RSC/R, DB5 ELIXIR 9/7/CR MAG/X0/ XX, QTY 1
ns	11.5315.048.070	DISC BRAKE LEVER CLAMP - (MMX) BLACK (STAINLESS STEEL BOLT T25) - G2 (A1), GUIDE (A1-B1),LEVEL ULT/TLM/TL, CODE RSC/R, DB5 ELIXIR 9/7/CR MAG/X0/ XX, QTY 1
ns	11.5315.048.080	DISC BRAKE LEVER CLAMP - (MMX) BLACK (TI BOLT T25) - G2 (A1), GUIDE (A1-B1), LEVEL ULT/TLM/TL, CODE RSC/R,DB5 ELIXIR9/7/ CR MAG/X0/ XX, QTY 1
ns	11.5315.049.010	DISC BRAKE LEVER CLAMP SHIFTER MOUNTING BRACKET - (MMX) LEFT GUIDE ULT/RSC/RS/RE/R,LEVEL ULT/TLM/TL, CODE RSC/R, DB5 ELIXIR 9/7/CR MAG/X0/ XX, QTY 1
ns	11.5315.049.020	DISC BRAKE LEVER CLAMP SHIFTER MOUNTING BRACKET - (MMX) RIGHT -GUIDE ULT/RSC/RS/RE/R,LEVEL ULT/TLM/TL, CODE RSC/R, DB5 ELIXIR 9/7/CR MAG/X0/ XX, QTY 1

# XX WORLD CUP - HYDRAULIC DISC BRAKE - LEVERS A1 (2011-2016)

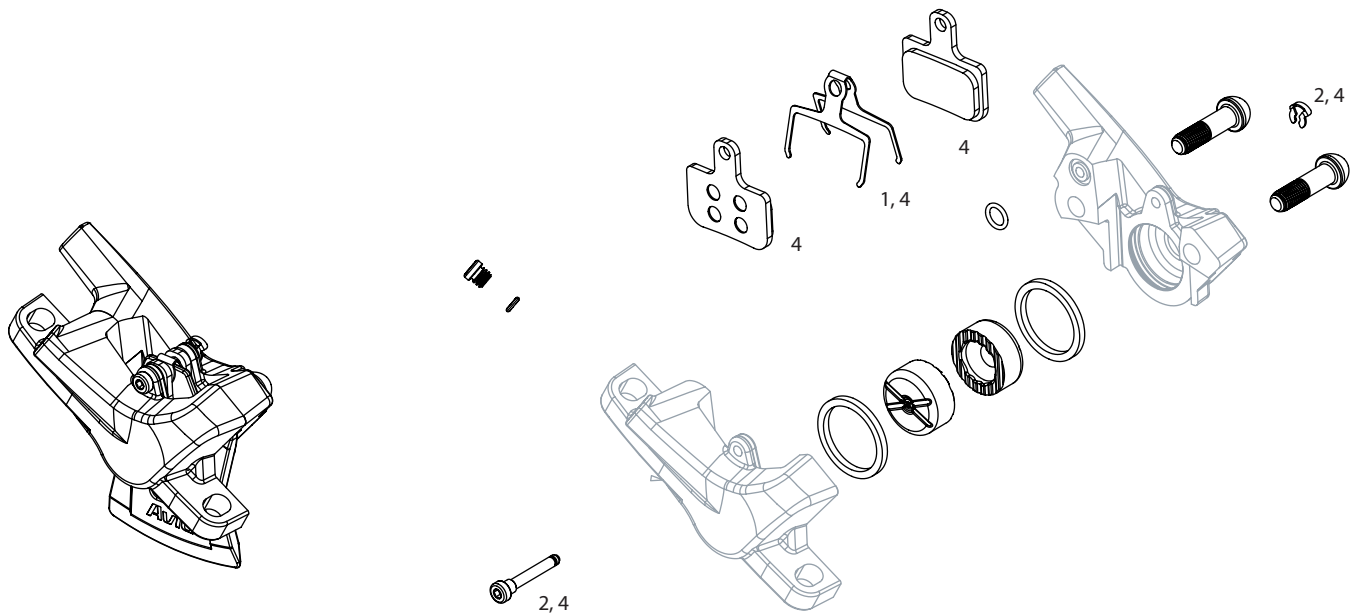
DB-XX-WC-A1



**Notes:**

1. Lever Internals kit is pre-assembled
2. Use Level Ultimate as replacement for XX World Cup lever assembly

NO.	PART NUMBER	DESCRIPTION
<b>HYDRAULIC LINES &amp; FITTING</b>		
3	00.5318.038.000	Disc Brake Hydraulic Hose Kit - Silver Banjo -2000mmBlk (inc. banjo, fittings) - XX,Juicy5/7/,Guide R/RS/RSC/Ult (B1), Guide T(A1),G2 RSC/ULT,Level 4Piston ULT/SLV(C1), MAVEN ULT/SLV (A1)
4	00.5318.037.000	Disc Brake Hydraulic Hose Kit - Threaded Inline Crimp -2000mmBlk (inc. crimp, fittings) - Elixir 5/7/9/R/CR/X0,Guide RSC (A1),Guide R/RS (A1),DB5,Level TL/BRZ 2P
5	11.5309.766.000	DISC BRAKE COMPRESSION HOSE NUT - (QTY 5)
6	11.5378.803.004	DISC BRAKE HOSE FITTING KIT - (INCLUDES 1 THREADED HOSE BARB, 1 RED COMP FITTING) - AVID & SRAM BRAKES
<b>LEVER CLAMPS</b>		
7	11.5315.048.010	DISC BRAKE LEVER CLAMP - (DISCRETE) BLACK (STAINLESS STEEL BOLT T25)-GUIDE ULT/RSC/RS/RE/R,LEVEL ULT/TLM/TL, CODE RSC/R,DB5 ELIXIR 9/7/CR MAG/X0/ XX, QTY 1
7	11.5315.048.020	DISC BRAKE LEVER CLAMP - (DISCRETE) SILVER (TI BOLT T25) - GUIDE ULT/RSC/RS/RE/R,LEVEL ULT/TLM/TL, CODE RSC/R, DB5 ELIXIR9/7/CR MAG/X0/ XX, QTY 1
8	11.5315.048.050	DISC BRAKE LEVER CLAMP - (MMX) SILVER (STAINLESS STEEL BOLT T25) - G2 (A1), GUIDE (A1-B1), LEVEL ULT/TLM/TL, CODE RSC/R, DB5 ELIXIR 9/7/CR MAG/X0/ XX, QTY 1
8	11.5315.048.070	DISC BRAKE LEVER CLAMP - (MMX) BLACK (STAINLESS STEEL BOLT T25) - G2 (A1), GUIDE (A1-B1),LEVEL ULT/TLM/TL, CODE RSC/R, DB5 ELIXIR 9/7/CR MAG/X0/ XX, QTY 1
8	11.5315.048.080	DISC BRAKE LEVER CLAMP - (MMX) BLACK (TI BOLT T25) - G2 (A1), GUIDE (A1-B1), LEVEL ULT/TLM/TL, CODE RSC/R,DB5 ELIXIR9/7/ CR MAG/X0/ XX, QTY 1
9	11.5315.049.010	DISC BRAKE LEVER CLAMP SHIFTER MOUNTING BRACKET - (MMX) LEFT GUIDE ULT/RSC/RS/RE/R,LEVEL ULT/TLM/TL, CODE RSC/R, DB5 ELIXIR 9/7/CR MAG/X0/ XX, QTY 1
9	11.5315.049.020	DISC BRAKE LEVER CLAMP SHIFTER MOUNTING BRACKET - (MMX) RIGHT -GUIDE ULT/RSC/RS/RE/R,LEVEL ULT/TLM/TL, CODE RSC/R, DB5 ELIXIR 9/7/CR MAG/X0/ XX, QTY 1



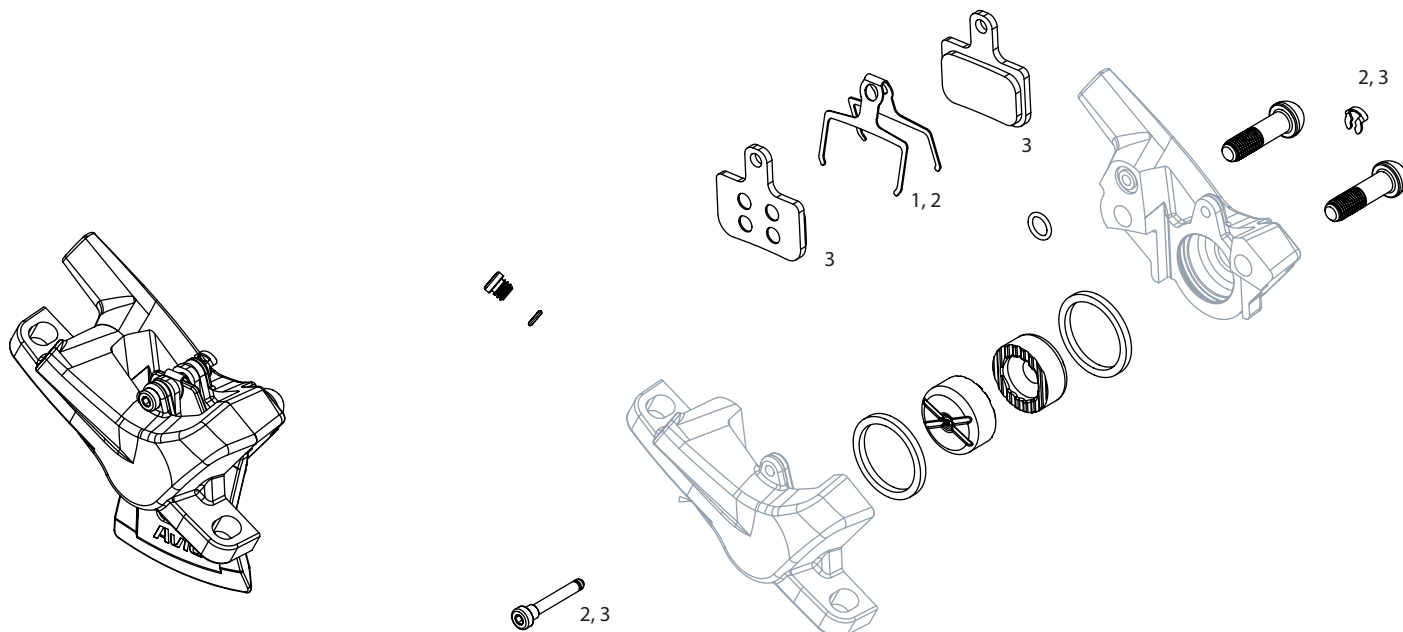
NOTES:

1. See lever pages for exploded view of Hydraulic Line kits

NO.	PART NUMBER	
<b>CALIPER SPARES</b>		
1	11.5015.035.000	DISC BRAKE PAD H-SPRING - (QTY 2) - ELIXIR/DB/LEVEL B1+2PISTON/FORCE-RIVAL ETAP AXS
2	11.5015.036.030	DISC BRAKE PAD PIN KIT - BLACK, (QTY 2) - ELIXIR 1/DB 1
<b>BRAKE PADS</b>		
4	00.5315.035.010	DISC BRAKE PADS - SMALL SINTERED/STEEL (HEAVY DUTY) - 2 PIECE ROAD/ELIXIR/DB/LEVEL B1 (2020+)
4	00.5315.035.020	DISC BRAKE PADS - SMALL ORGANIC/ALUMINUM (QUIET/LIGHT) - 2 PIECE ROAD/ELIXIR/DB/LEVEL B1 (2020+)
<b>HYDRAULIC LINES &amp; FITTING</b>		
ns	00.5318.036.000	Disc Brake Hydraulic Hose Kit-DoubleCompression 2000mmBlk-CodeR,Elixir1/3,Juicy3,DB 1/3,Level 2P ULT/SLV/TLM/TL/T/4PBZR(B1+),GuideRE,G2RE/RS/R,DB8,Red,Force,Rival(2P)eTapAXS, MAVEN BRZ (A1)
ns	11.5309.766.000	DISC BRAKE COMPRESSION HOSE NUT - (QTY 5)
ns	11.5378.803.004	DISC BRAKE HOSE FITTING KIT - (INCLUDES 1 THREADED HOSE BARB, 1 RED COMP FITTING) - AVID & SRAM BRAKES
<b>TOOLS</b>		
ns	11.5018.059.002	DISC BRAKE BLEED BLOCK - (USED FOR BLEEDING BRAKES) - UNIVERSAL - FITS SMALL, MEDIUM, AND LARGE CALIPERS
ns	00.5318.035.000	SRAM Tool Ultimate Piston Press (evenly pushes pistons back for pad replacement and bleeding) - fits Small, Medium, and Large Calipers

# DB 3 - HYDRAULIC DISC BRAKE - CALIPERS A1 (2015-2016)

DB-DB3-A1



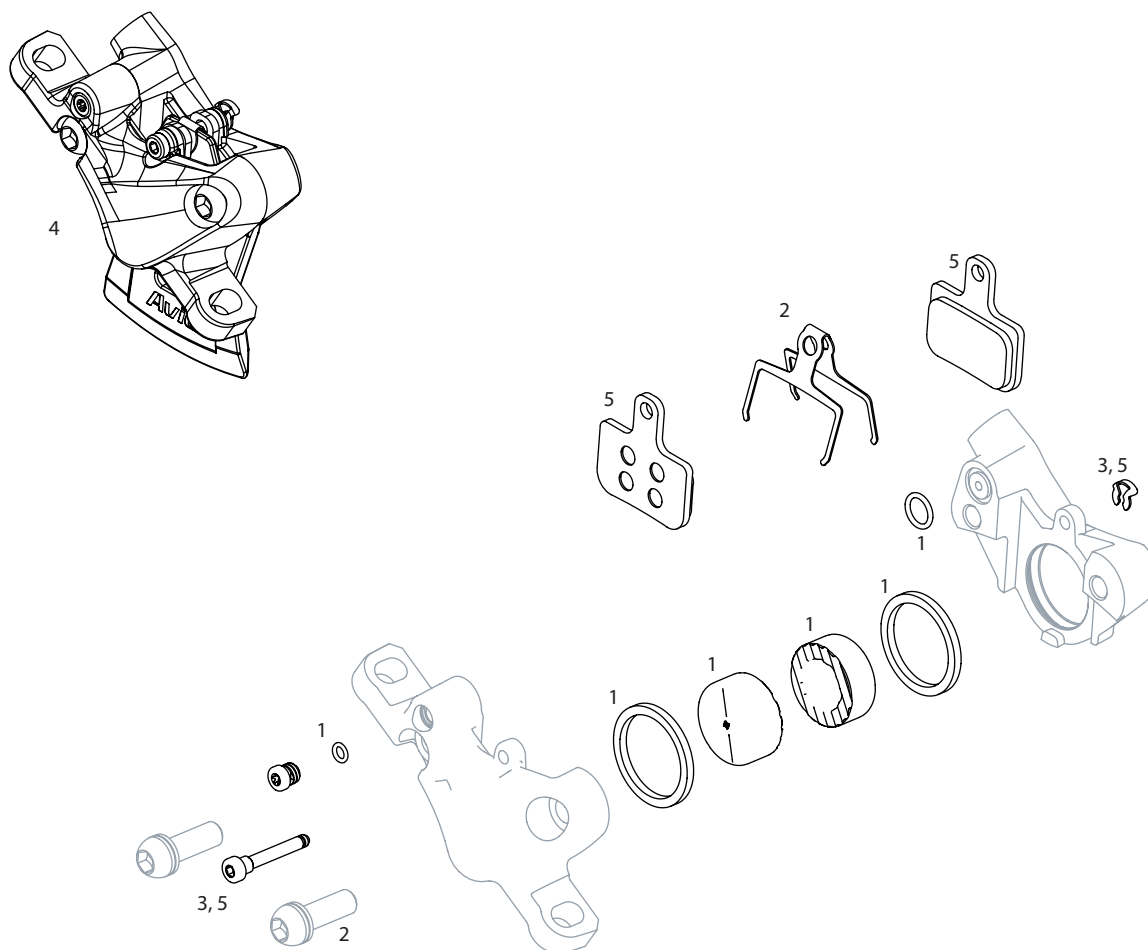
**NOTES:**

1. See lever pages for exploded view of Hydraulic Line kits

NO.	PART NUMBER	
<b>CALIPER SPARES</b>		
1	11.5015.035.000	DISC BRAKE PAD H-SPRING - (QTY 2) - ELIXIR/DB/LEVEL B1+2PISTON/FORCE-RIVAL ETAP AXS
2	11.5015.036.000	DISC BRAKE PAD PIN KIT - BLACK (QTY 2) - ELIXIR/CODE/GUIDE R,RE,RS,RSC
<b>BRAKE PADS</b>		
3	00.5315.035.010	DISC BRAKE PADS - SMALL SINTERED/STEEL (HEAVY DUTY) - 2 PIECE ROAD/ELIXIR/DB/LEVEL B1 (2020+)
3	00.5315.035.020	DISC BRAKE PADS - SMALL ORGANIC/ALUMINUM (QUIET/LIGHT) - 2 PIECE ROAD/ELIXIR/DB/LEVEL B1 (2020+)
<b>HYDRAULIC LINES &amp; FITTING</b>		
ns	00.5318.036.000	Disc Brake Hydraulic Hose Kit-DoubleCompression 2000mmBlk-CodeR,Elixir1/3,Juicy3,DB 1/3,Level 2P ULT/SLV/TLM/TL/T/4PBZR(B1+),GuideRE,G2RE/RS/R,DB8,Red,Force,Rival(2P)eTapAXS, MAVEN BRZ (A1)
ns	11.5309.766.000	DISC BRAKE COMPRESSION HOSE NUT - (QTY 5)
ns	11.5378.803.004	DISC BRAKE HOSE FITTING KIT - (INCLUDES 1 THREADED HOSE BARB, 1 RED COMP FITTING) - AVID & SRAM BRAKES
<b>TOOLS</b>		
ns	11.5018.059.002	DISC BRAKE BLEED BLOCK - (USED FOR BLEEDING BRAKES) - UNIVERSAL - FITS SMALL, MEDIUM, AND LARGE CALIPERS
ns	00.5318.035.000	SRAM Tool Ultimate Piston Press (evenly pushes pistons back for pad replacement and bleeding) - fits Small, Medium, and Large Calipers

# DB 5 - HYDRAULIC DISC BRAKE - CALIPERS A1 (2015-2016)

DB-DB5-A1



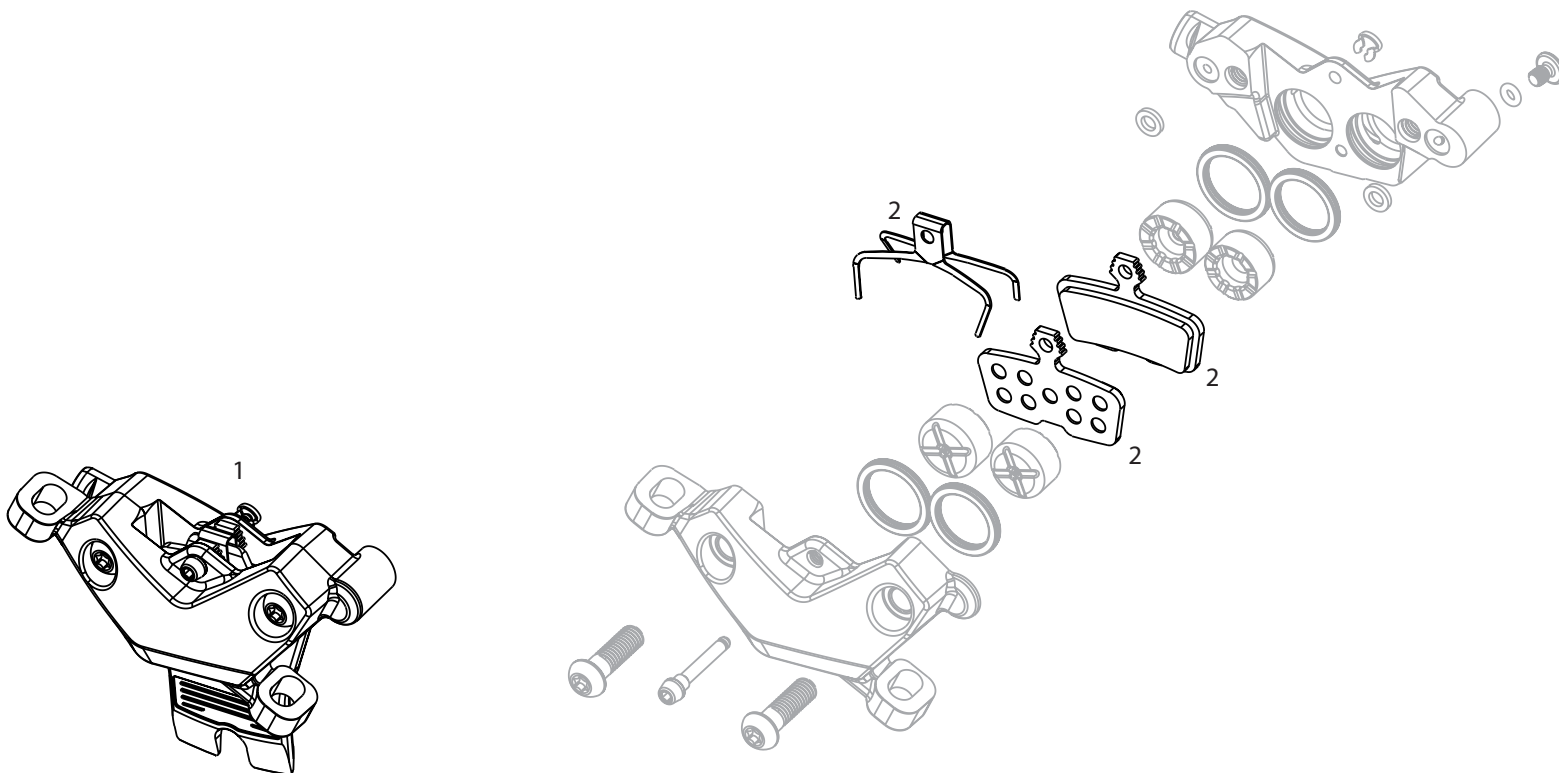
## NOTES:

1. See lever pages for exploded view of Hydraulic Line kits

NO.	PART NUMBER	
<b>CALIPER SPARES</b>		
1	11.5018.020.000	DISC BRAKE CALIPER PISTON KIT - (INCLUDES 2-21MM CALIPER PISTONS, SEALS & O-RINGS) - DB5
2	11.5015.035.000	DISC BRAKE PAD H-SPRING - (QTY 2) - ELIXIR/DB/LEVEL ULT B1/LEVEL TLM B1/FORCE-RIVAL ETAP AXS
3	11.5015.036.000	DISC BRAKE PAD PIN KIT - BLACK (QTY 2) - ELIXIR/CODE/GUIDE R,RE,RS,RSC
4	11.5018.008.018	DISC BRAKE CALIPER ASSEMBLY - (ASSEMBLED, NO HOSE) BLACK - DB5
<b>BRAKE PADS</b>		
5	00.5315.035.010	DISC BRAKE PADS - SMALL SINTERED/STEEL (HEAVY DUTY) - 2 PIECE ROAD/ELIXIR/DB/LEVEL B1 (2020+)
5	00.5315.035.020	DISC BRAKE PADS - SMALL ORGANIC/ALUMINUM (QUIET/LIGHT) - 2 PIECE ROAD/ELIXIR/DB/LEVEL B1 (2020+)
<b>HYDRAULIC LINES &amp; FITTING</b>		
ns	00.5318.037.000	Disc Brake Hydraulic Hose Kit - Threaded Inline Crimp -2000mmBlk (inc. crimp, fittings) - Elixir 5/7/9/R/CR/X0,Guide RSC (A1),Guide R/RS (A1),DB5,Level TL/BRZ 2P
ns	11.5309.766.000	DISC BRAKE COMPRESSION HOSE NUT - (QTY 5)
ns	11.5378.803.004	DISC BRAKE HOSE FITTING KIT - (INCLUDES 1 THREADED HOSE BARB, 1 RED COMP FITTING) - AVID & SRAM BRAKES
<b>TOOLS</b>		
ns	11.5018.059.002	DISC BRAKE BLEED BLOCK - (USED FOR BLEEDING BRAKES) - UNIVERSAL - FITS SMALL, MEDIUM, AND LARGE CALIPERS
ns	00.5318.035.000	SRAM Tool Ultimate Piston Press (evenly pushes pistons back for pad replacement and bleeding) - fits Small, Medium, and Large Calipers

# DB 8 - HYDRAULIC DISC BRAKE - CALIPERS A1 (2023+)

DB-DB8-A1, DB-DB8-B1



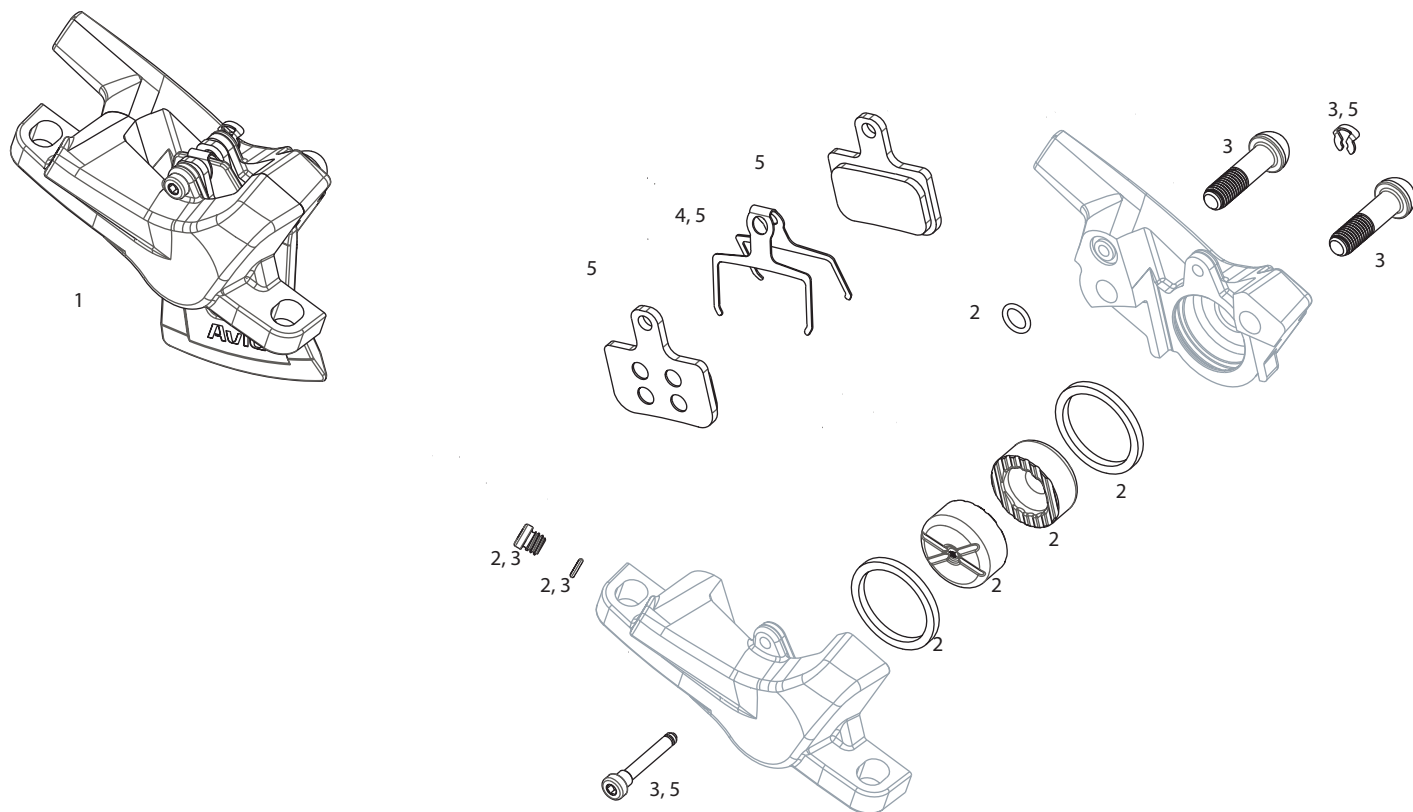
**NOTES:**

- 1. See lever pages for exploded view of Hydraulic Line kits
- 2. SRAM DOT Assembly Grease is also compatible with SRAM Mineral Oil brakes.

<b>CALIPER SPARES</b>	
1	11.5018.056.014 DISC BRAKE CALIPER ASSEMBLY - (ASSEMBLED, NO HOSE) DIFFUSION BLACK ANO - MINERAL FLUID BRAKE - DB8 (A1-B1)
<b>BRAKE PADS</b>	
2	00.5315.023.010 DISC BRAKE PADS - LARGE SINTERED/STEEL (HEAVY DUTY) - CODE 2011+/ GUIDE RE/G2 RE/DB8
2	00.5315.023.020 DISC BRAKE PADS - LARGE ORGANIC/ALUMINUM (QUIET/LIGHT) - CODE 2011+/ GUIDE RE/G2 RE/DB8
2	00.5315.023.030 DISC BRAKE PADS - LARGE ORGANIC/STEEL (QUIET) - CODE 2011+/ GUIDE RE/G2 RE/DB8
<b>HYDRAULIC LINES &amp; FITTING</b>	
ns	00.5318.036.000 Disc Brake Hydraulic Hose Kit-DoubleCompression 2000mmBlk-CodeR,Elixir1/3,Juicy3,DB 1/3,Level 2P ULT/SLV/TLM/TL/T/4PBZR(B1+),GuideRE,G2RE/RS/R,DB8,Red,Force,Rival(2P)eTapAXS, MAVEN BRZ (A1)
ns	11.5309.766.000 DISC BRAKE COMPRESSION HOSE NUT - (QTY 5)
ns	11.5378.803.004 DISC BRAKE HOSE FITTING KIT - (INCLUDES 1 THREADED HOSE BARB, 1 RED COMP FITTING) - AVID & SRAM BRAKES
<b>TOOLS</b>	
ns	00.5318.031.004 Pro Mineral Oil Bleed Kit (includes 2 Premium Syringes, M4 fittings, Quarter-turn valves, bleed block, Torx tool, crowfoot, Maxima Mineral Oil) - DB8
ns	00.5318.031.006 Standard Mineral Oil Bleed Kit (includes 2 Standard Syringes, M4 fittings, Pinch Clamps, bleed block, Torx tool, crowfoot, Maxima Mineral Oil) - DB8/Maven
ns	11.5018.059.002 DISC BRAKE BLEED BLOCK - (USED FOR BLEEDING BRAKES) - UNIVERSAL - FITS SMALL, MEDIUM, AND LARGE CALIPERS
ns	00.5318.035.000 SRAM Tool Ultimate Piston Press (evenly pushes pistons back for pad replacement and bleeding) - fits Small, Medium, and Large Calipers
<b>GREASE &amp; FLUIDS</b>	
ns	00.5318.030.000 Maxima Mineral Oil - 4 fl oz/120ml (for SRAM Mineral Oil Brakes) - DB8/Maven
ns	00.5318.030.001 Maxima Mineral Oil - 16.9 fl oz/500ml (for SRAM Mineral Oil Brakes) - DB8/Maven
ns	00.5318.023.000 Grease SRAM DOT Assembly Grease 1oz - Recommended for LeverPistons, Hose Compression Nuts, Threaded Barbs & Olives

# LEVEL - HYDRAULIC DISC BRAKE - CALIPERS A1 (2017-2020)

DB-LVL-A1



**NOTES:**

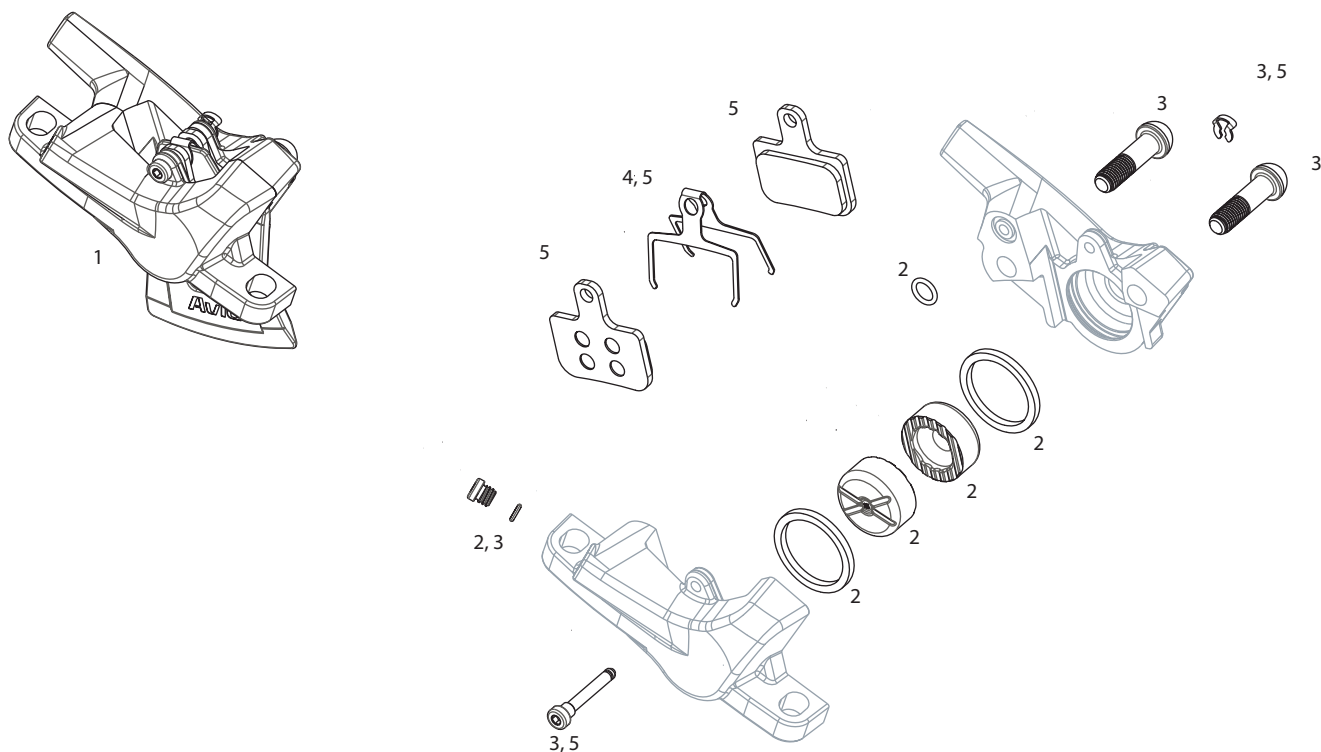
1. Level caliper uses 20mm Pistons

NO.	PART NUMBER	DESCRIPTION
<b>CALIPER SPARES</b>		
1	11.5018.008.026	DISC BRAKE CALIPER ASSEMBLY - (ASSEMBLED, NO HOSE) BLACK - LEVEL
2	11.5018.020.003	DISC BRAKE CALIPER PISTON KIT - (INCLUDES 2-20mm CALIPER PISTONS, SEALS & O-RINGS) - LEVEL
3	11.5018.021.004	DISC BRAKE CALIPER HARDWARE KIT - (INCLUDES BODY BOLTS, BLEED SCREW, PAD PIN) - LEVEL
4	11.5015.035.000	DISC BRAKE PAD H-SPRING - (QTY 2) - ELIXIR/DB/LEVEL B1+2PISTON/FORCE-RIVAL ETAP AXS
<b>BRAKE PADS</b>		
5	00.5315.035.010	DISC BRAKE PADS - SMALL SINTERED/STEEL (HEAVY DUTY) - 2 PIECE ROAD/ELIXIR/DB/LEVEL B1 (2020+)
5	00.5315.035.020	DISC BRAKE PADS - SMALL ORGANIC/ALUMINUM (QUIET/LIGHT) - 2 PIECE ROAD/ELIXIR/DB/LEVEL B1 (2020+)
5	00.5315.035.031	Disc Brake Pads - Organic/Steel (Powerful) - Elixir/DB/Level TL/Level T/Level/Level ULT/TLM B1 (2020+)
<b>HYDRAULIC LINES &amp; FITTING</b>		
ns	00.5318.036.000	Disc Brake Hydraulic Hose Kit-DoubleCompression 2000mmBlk-CodeR,Elixir1/3,Juicy3,DB 1/3,Level 2P ULT/SLV/TLM/TL/T/4PBZR(B1+),GuideRE,G2RE/RS/R,DB8,Red,Force,Rival(2P)eTapAXS, MAVEN BRZ (A1)
ns	11.5309.766.000	DISC BRAKE COMPRESSION HOSE NUT - (QTY 5)
ns	11.5378.803.004	DISC BRAKE HOSE FITTING KIT - (INCLUDES 1 THREADED HOSE BARB, 1 RED COMP FITTING) - AVID & SRAM BRAKES
<b>TOOLS</b>		
ns	11.5018.059.002	DISC BRAKE BLEED BLOCK - (USED FOR BLEEDING BRAKES) - UNIVERSAL - FITS SMALL, MEDIUM, AND LARGE CALIPERS
ns	00.5318.035.000	SRAM Tool Ultimate Piston Press (evenly pushes pistons back for pad replacement and bleeding) - fits Small, Medium, and Large Calipers



# LEVEL T - HYDRAULIC DISC BRAKE - CALIPERS A1 (2017-2020)

DB-LVL-T-A1



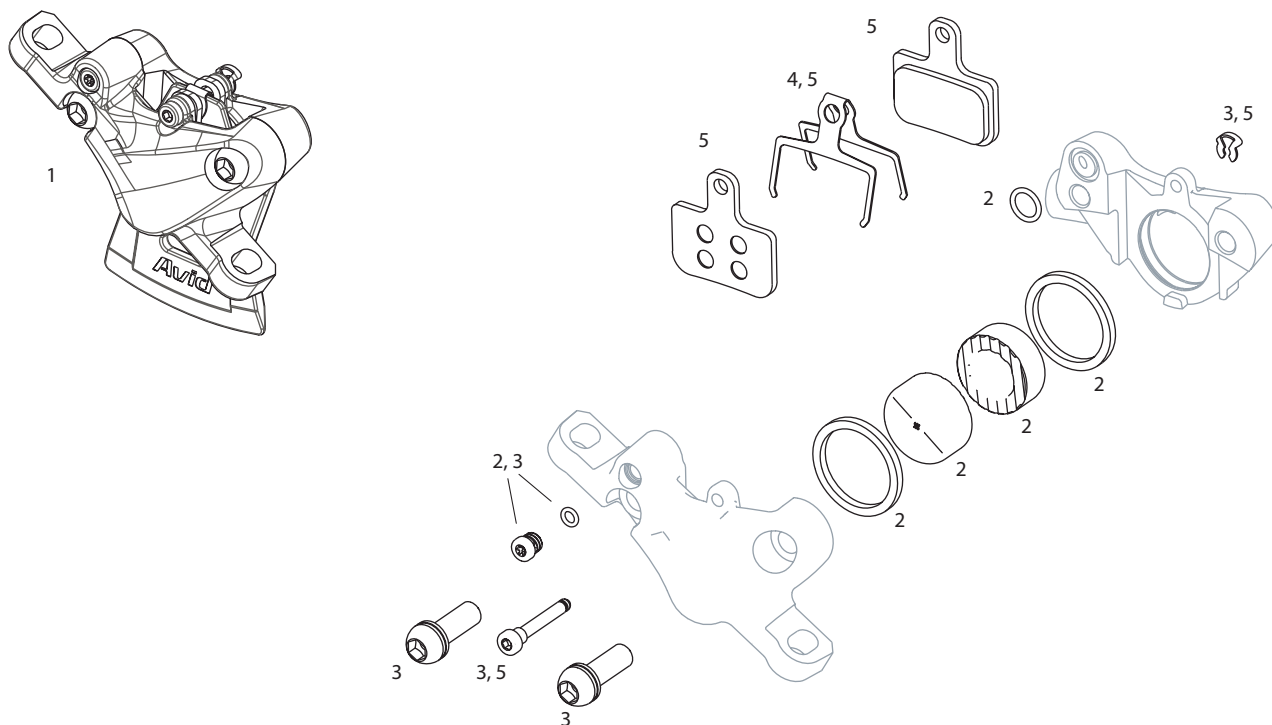
**NOTES:**

1. Level T caliper uses 21mm Pistons

NO.	PART NUMBER	
<b>CALIPER SPARES</b>		
1	11.5018.008.027	DISC BRAKE CALIPER ASSEMBLY - (ASSEMBLED, NO HOSE) BLACK - LEVEL T
2	11.5018.020.004	DISC BRAKE CALIPER PISTON KIT - (INCLUDES 2-21mm CALIPER PISTONS, SEALS, O-RINGS) - LEVEL TL/T/BRZ
3	11.5018.021.005	DISC BRAKE CALIPER HARDWARE KIT - (INCLUDES BODY BOLTS, BLEED SCREW, PAD PIN) - LEVEL T
4	11.5015.035.000	DISC BRAKE PAD H-SPRING - (QTY 2) - ELIXIR/DB/LEVEL B1+2PISTON/FORCE-RIVAL ETAP AXS
<b>BRAKE PADS</b>		
5	00.5315.035.010	DISC BRAKE PADS - SMALL SINTERED/STEEL (HEAVY DUTY) - 2 PIECE ROAD/ELIXIR/DB/LEVEL B1 (2020+)
5	00.5315.035.020	DISC BRAKE PADS - SMALL ORGANIC/ALUMINUM (QUIET/LIGHT) - 2 PIECE ROAD/ELIXIR/DB/LEVEL B1 (2020+)
5	00.5315.035.031	Disc Brake Pads - Organic/Steel (Powerful) - Elixir/DB/Level TL/Level T/Level/Level ULT/TLM B1 (2020+)
<b>HYDRAULIC LINES &amp; FITTING</b>		
ns	00.5318.036.000	Disc Brake Hydraulic Hose Kit-DoubleCompression 2000mmBlk-CodeR,Elixir1/3,Juicy3,DB 1/3,Level 2P ULT/SLV/TLM/TL/T/4PBZR(B1+),GuideRE,G2RE/RS/R,DB8,Red,Force,Rival(2P)eTapAXS, MAVEN BRZ (A1)
ns	11.5309.766.000	DISC BRAKE COMPRESSION HOSE NUT - (QTY 5)
ns	11.5378.803.004	DISC BRAKE HOSE FITTING KIT - (INCLUDES 1 THREADED HOSE BARB, 1 RED COMP FITTING) - AVID & SRAM BRAKES
<b>TOOLS</b>		
ns	11.5018.059.002	DISC BRAKE BLEED BLOCK - (USED FOR BLEEDING BRAKES) - UNIVERSAL - FITS SMALL, MEDIUM, AND LARGE CALIPERS
ns	00.5318.035.000	SRAM Tool Ultimate Piston Press (evenly pushes pistons back for pad replacement and bleeding) - fits Small, Medium, and Large Calipers

# LEVEL TL - HYDRAULIC DISC BRAKE - CALIPERS A1 (2017-2020)

DB-LVL-TL-A1



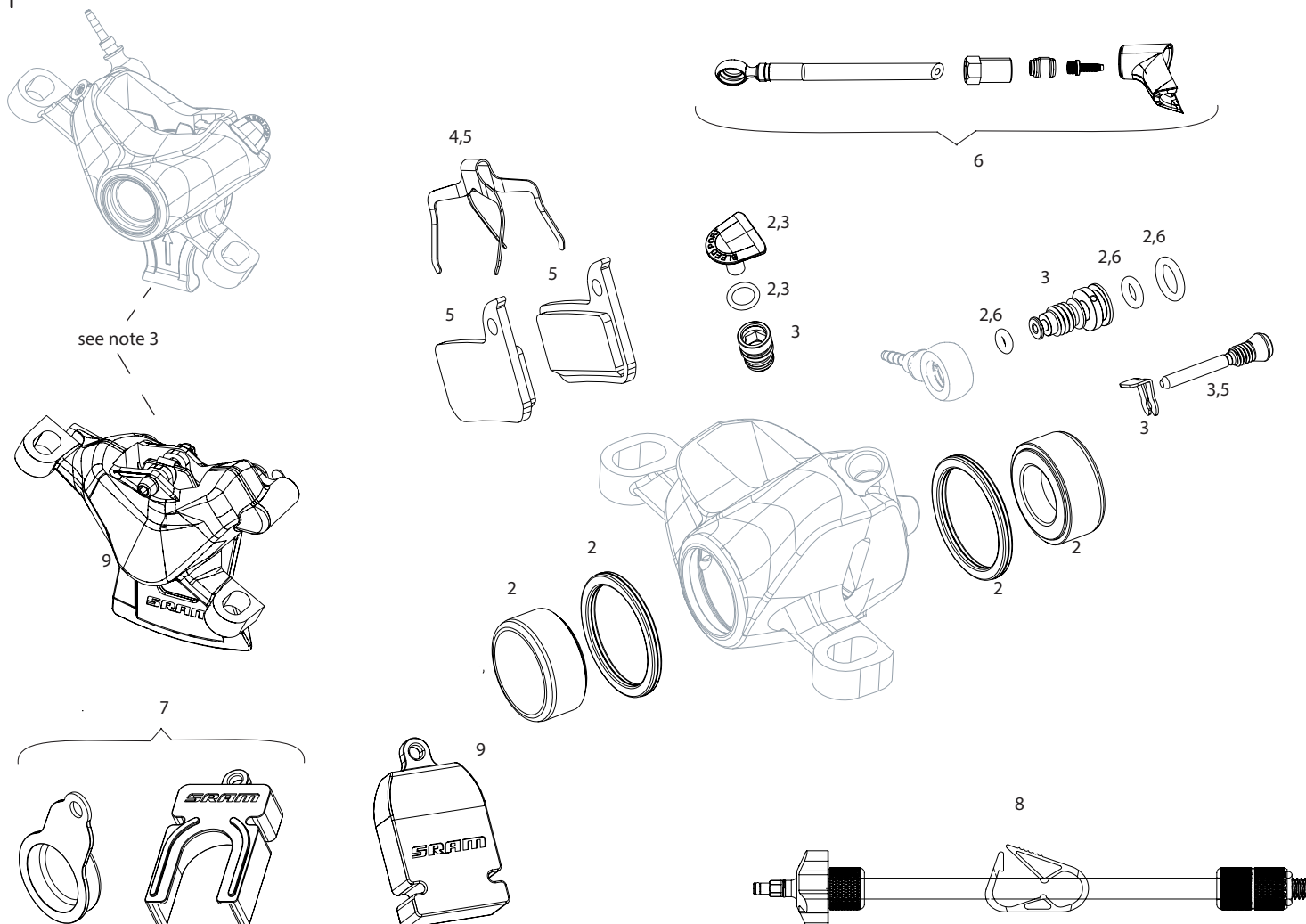
**NOTES:**

1. Level TL caliper uses 21mm Pistons

NO.	PART NUMBER	DESCRIPTION
<b>CALIPER SPARES</b>		
1	11.5018.008.028	DISC BRAKE CALIPER ASSEMBLY - (ASSEMBLED, NO HOSE) BLACK - LEVEL TL
2	11.5018.020.004	DISC BRAKE CALIPER PISTON KIT - (INCLUDES 2-21mm CALIPER PISTONS, SEALS, O-RINGS) - LEVEL TL/T/BRZ
3	11.5018.021.006	DISC BRAKE CALIPER HARDWARE KIT - (INCLUDES BODY BOLTS, BLEED SCREW, PAD PIN) - LEVEL TL/BRZ
4	11.5015.035.000	DISC BRAKE PAD H-SPRING - (QTY 2) - ELIXIR/DB/LEVEL B1+2PISTON/FORCE-RIVAL ETAP AXS
<b>BRAKE PADS</b>		
5	00.5315.035.010	DISC BRAKE PADS - SMALL SINTERED/STEEL (HEAVY DUTY) - 2 PIECE ROAD/ELIXIR/DB/LEVEL B1 (2020+)
5	00.5315.035.020	DISC BRAKE PADS - SMALL ORGANIC/ALUMINUM (QUIET/LIGHT) - 2 PIECE ROAD/ELIXIR/DB/LEVEL B1 (2020+)
5	00.5315.035.031	Disc Brake Pads - Organic/Steel (Powerful) - Elixir/DB/Level TL/Level T/Level/Level ULT/TLM B1 (2020+)
<b>HYDRAULIC LINES &amp; FITTING</b>		
ns	00.5318.037.000	Disc Brake Hydraulic Hose Kit - Threaded Inline Crimp -2000mmBlk (inc. crimp, fittings) - Elixir 5/7/9/R/CR/X0,Guide RSC (A1),Guide R/RS (A1),DB5,Level TL/BRZ 2P
ns	11.5309.766.000	DISC BRAKE COMPRESSION HOSE NUT - (QTY 5)
ns	11.5378.803.004	DISC BRAKE HOSE FITTING KIT - (INCLUDES 1 THREADED HOSE BARB, 1 RED COMP FITTING) - AVID & SRAM BRAKES
<b>TOOLS</b>		
ns	11.5018.059.002	DISC BRAKE BLEED BLOCK - (USED FOR BLEEDING BRAKES) - UNIVERSAL - FITS SMALL, MEDIUM, AND LARGE CALIPERS
ns	00.5318.035.000	SRAM Tool Ultimate Piston Press (evenly pushes pistons back for pad replacement and bleeding) - fits Small, Medium, and Large Calipers

# LEVEL TLM/ULTIMATE - HYDRAULIC DISC BRAKE - CALIPERS A1 (2017-2019)

DB-LVL-TLM-A1 / DB-LVL-ULT-A1



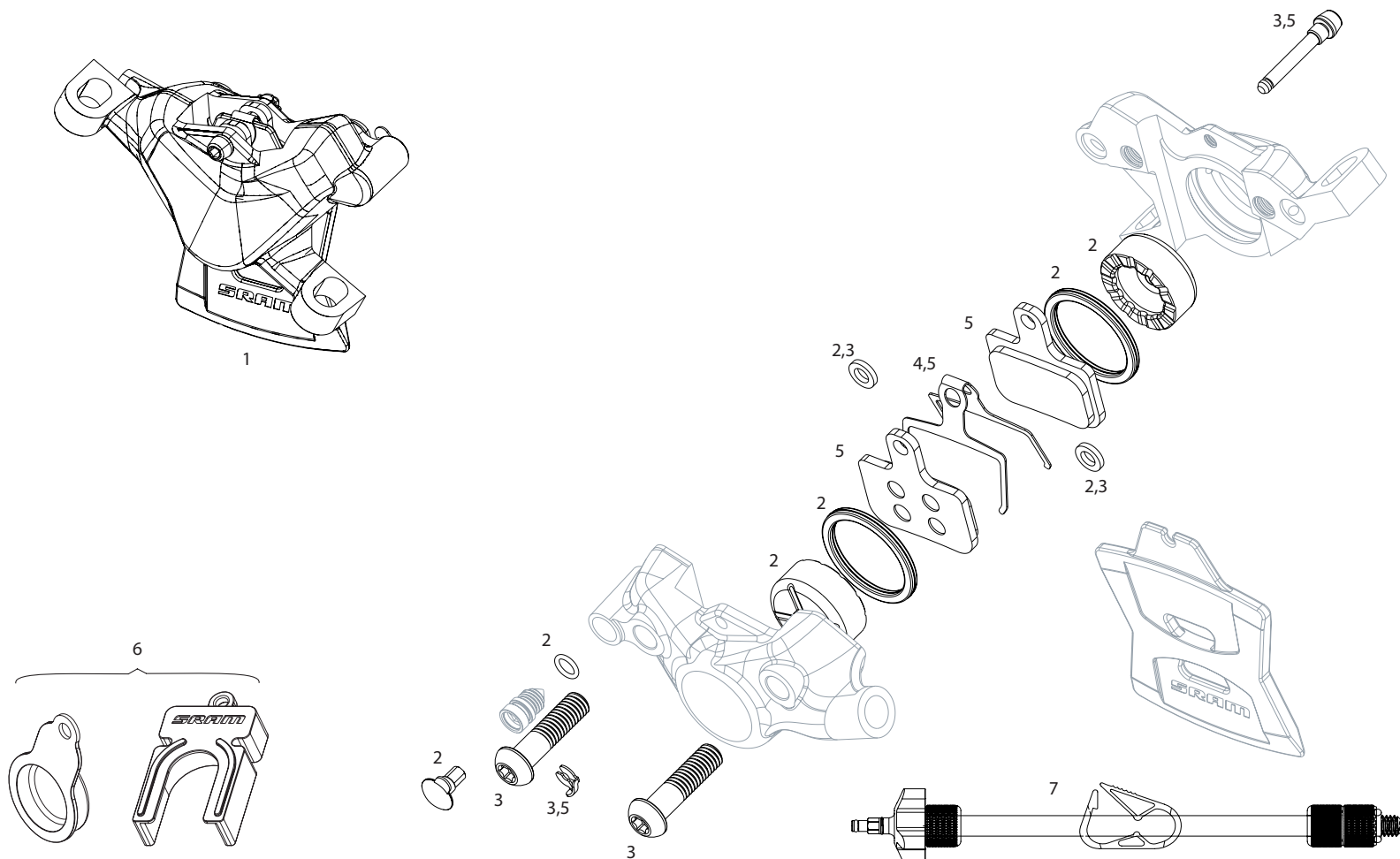
## NOTES:

1. Monoblock Caliper requires Bleeding Edge tool to bleed hydraulic line.
2. Monoblock Caliper requires Caliper Piston Removal Tool to remove pistons and access piston seals.
3. Replacement for the Monoblock caliper assembly is the new 2-piece Level caliper B1 assembly.

NO.	PART NUMBER	DESCRIPTION
		<b>CALIPER SPARES</b>
2	11.5018.020.005	DISC BRAKE CALIPER PISTON KIT - (INCLUDES MONOBLOCK PISTON TOOL, 2-21mm ALUMINUM CALIPER PISTONS, SEALS & O-RINGS) - LEVEL ULTIMATE/TLM (A1), ETAP HRD
3	11.5018.057.002	DISC BRAKE CALIPER HARDWARE KIT - (INCLUDES BLEED SCREW, BANJO SCREW, PAD PIN) - LEVEL ULTIMATE/TLM A1
4	11.5018.006.000	DISC BRAKE PAD H-SPRING - (QTY 2) - XO TRAIL, GUIDE S4/ULT, G2 R/RS/RSC/ULT/LEVEL 4PISTON
4	11.5018.006.002	DISC BRAKE PAD H-SPRING - (QTY 2) MONOBLOCK - LEVEL ULTIMATE/TLM (A1) QTY 2
9	11.5018.056.003	DISC BRAKE CALIPER ASSEMBLY - (ASSEMBLED, NO HOSE) DIFFUSION BLACK - LEVEL TLM A1+ (2017+)
		<b>BRAKE PADS</b>
5	00.5318.010.002	DISC BRAKE PADS - ASYMMETRIC ORGANIC/STEEL (QUIET) - MONOBLOCK - SRAM HYDRAULIC ROAD DISC, LEVEL A1 (2017-2019)
5	00.5318.010.003	DISC BRAKE PADS - ASYMMETRIC ORGANIC/ALUMINUM (QUIET/LIGHT) - MONOBLOCK - SRAM HYDRAULIC ROAD DISC, LEVEL A1 (2017-2019)
5	00.5318.010.004	DISC BRAKE PADS - ASYMMETRIC SINTERED/STEEL (HEAVY DUTY) - MONOBLOCK - SRAM HYDRAULIC ROAD DISC, LEVEL A1 (2017-2019)
		<b>HYDRAULIC LINES &amp; FITTING</b>
6	00.5318.039.000	Disc Brake Hydraulic Hose Kit - Black Banjo -2000mmBlk(inc. banjo, fittings) - Level ULT/TLM (A1), CODE R/RSC/ULT/SLV/BRZ (B1/C1), Red eTap HRD,S900 Monoblock
ns	11.5309.766.000	DISC BRAKE COMPRESSION HOSE NUT - (QTY 5)
ns	11.5378.803.004	DISC BRAKE HOSE FITTING KIT - (INCLUDES 1 THREADED HOSE BARB, 1 RED COMP FITTING) - AVID & SRAM BRAKES
		<b>TOOLS</b>
7	00.5318.026.000	SRAM Caliper 21mm Piston Removal Tool (includes plug, removal block) - Level ULT/TLM/SLV eTap HRD
8	00.5318.015.001	SRAM TOOL BLEEDING EDGE (WORKS WITH AVID/SRAM PRO BLEED KITS) -S4/MONOBLOCK CALIPERS,GUIDE ULT/RSC/RS/R (B1)/T (A1),LEVEL ULT/SLV/TLM (A1),G2,CODE A1-C1
ns	11.5018.059.002	DISC BRAKE BLEED BLOCK - (USED FOR BLEEDING BRAKES) - UNIVERSAL - FITS SMALL, MEDIUM, AND LARGE CALIPERS
ns	00.5318.035.000	SRAM Tool Ultimate Piston Press (evenly pushes pistons back for pad replacement and bleeding) - fits Small, Medium, and Large Calipers

# LEVEL TLM/ULTIMATE - HYDRAULIC DISC BRAKE - CALIPERS B1 (2020-2023)

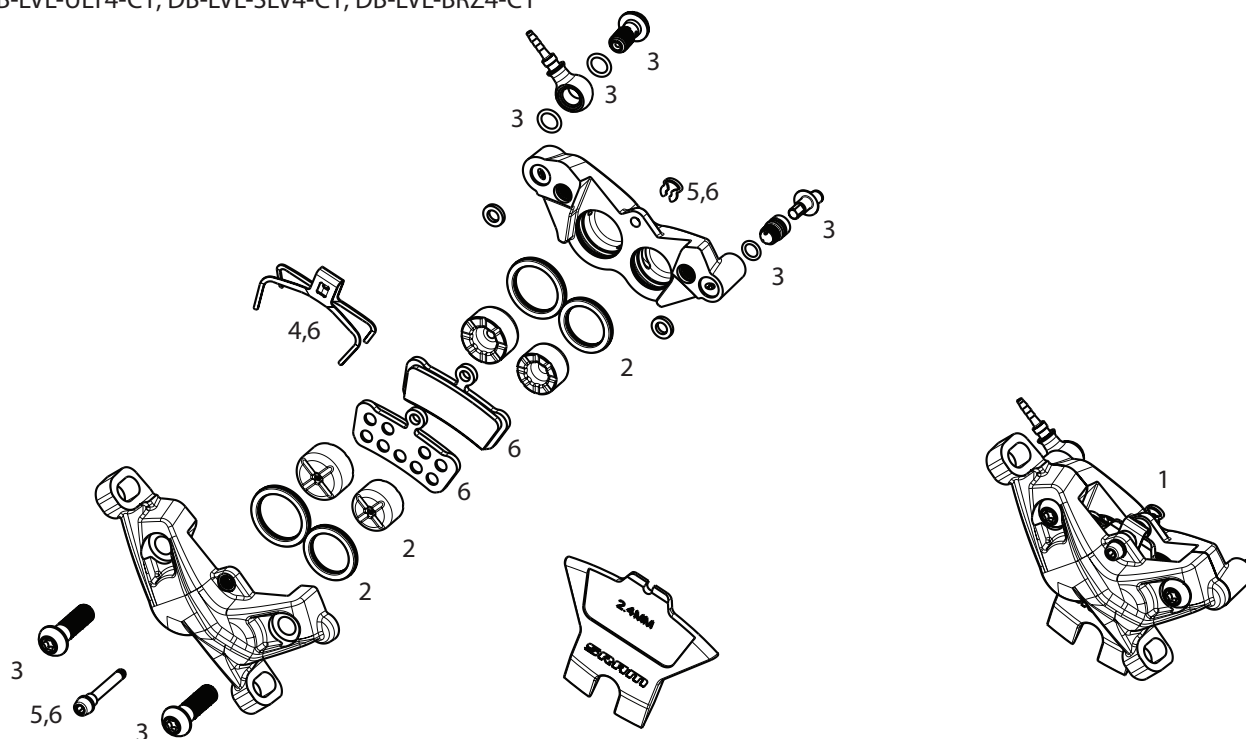
DB-LVL-TLM-B1 / DB-LVL-ULT-B1



NO.	PART NUMBER	DESCRIPTION
		<b>CALIPER SPARES</b>
1	11.5018.056.002	DISC BRAKE CALIPER ASSEMBLY - (ASSEMBLED, NO HOSE) BLACK - LEVEL ULTIMATE A1+ (2017+)
1	11.5018.056.003	DISC BRAKE CALIPER ASSEMBLY - (ASSEMBLED, NO HOSE) DIFFUSION BLACK - LEVEL TLM A1+ (2017+)
2	11.5018.058.000	DISC BRAKE CALIPER PISTON KIT - (INCLUDES 2-21MM PHENOLIC CALIPER PISTONS, SEALS, O-RINGS) - LEVEL ULT/TLM/SLV B1+, FORCE ETAP AXIS
3	11.5018.057.001	DISC BRAKE CALIPER HARDWARE KIT - (INCLUDES STAINLESS MOUNTING BOLTS, CLIP, CALIPER BODY SEALS AND PAD PIN) - LEVEL TLM/ULT/SLV B1+
4	11.5015.035.000	DISC BRAKE PAD H-SPRING - (QTY 2) - ELIXIR/DB/LEVEL B1+2PISTON/FORCE-RIVAL ETAP AXIS
4	11.5015.069.210	DISC BRAKE PAD H-SPRING - (QTY 20) - ELIXIR/DB/LEVEL B1+2PISTON/FORCE ETAP AXIS
		<b>BRAKE PADS</b>
5	00.5315.035.010	DISC BRAKE PADS - SMALL SINTERED/STEEL (HEAVY DUTY) - 2 PIECE ROAD/ELIXIR/DB/LEVEL B1 (2020+)
5	00.5315.035.020	DISC BRAKE PADS - SMALL ORGANIC/ALUMINUM (QUIET/LIGHT) - 2 PIECE ROAD/ELIXIR/DB/LEVEL B1 (2020+)
5	00.5315.035.031	DISC BRAKE PADS - SMALL ORGANIC/STEEL (POWERFUL) - 2 PIECE ROAD/ELIXIR/DB/LEVEL B1 (2020+) - OE MTB Pad
		<b>HYDRAULIC LINES &amp; FITTING</b>
ns	00.5318.036.000	Disc Brake Hydraulic Hose Kit-DoubleCompression 2000mmBlk-CodeR,Elixir1/3,Juicy3,DB 1/3,Level 2P ULT/SLV/TLM/TL/T/4PBZR(B1+),GuideRE,G2RE/RS/R,DB8,Red,Force,Rival(2P)eTapAXS, MAVEN BRZ (A1)
ns	11.5309.766.000	DISC BRAKE COMPRESSION HOSE NUT - (QTY 5)
ns	11.5378.803.004	DISC BRAKE HOSE FITTING KIT - (INCLUDES 1 THREADED HOSE BARB, 1 RED COMP FITTING) - AVID & SRAM BRAKES
		<b>TOOLS</b>
6	00.5318.026.000	SRAM Caliper 21mm Piston Removal Tool (includes plug, removal block) - Level ULT/TLM/SLV eTap HRD
7	00.5318.015.001	SRAM TOOL BLEEDING EDGE (WORKS WITH AVID/SRAM PRO BLEED KITS) -S4/MONOBLOCK CALIPERS,GUIDE ULT/RSC/RS/R (B1)/T (A1),LEVEL ULT/SLV/TLM (A1),G2,CODE A1-C1
ns	11.5018.059.002	DISC BRAKE BLEED BLOCK - (USED FOR BLEEDING BRAKES) - UNIVERSAL - FITS SMALL, MEDIUM, AND LARGE CALIPERS
ns	00.5318.035.000	SRAM Tool Ultimate Piston Press (evenly pushes pistons back for pad replacement and bleeding) - fits Small, Medium, and Large Calipers

# LEVEL STEALTH ULTIMATE/SILVER/BRONZE - 4 PISTON CALIPERS C1 (2024)

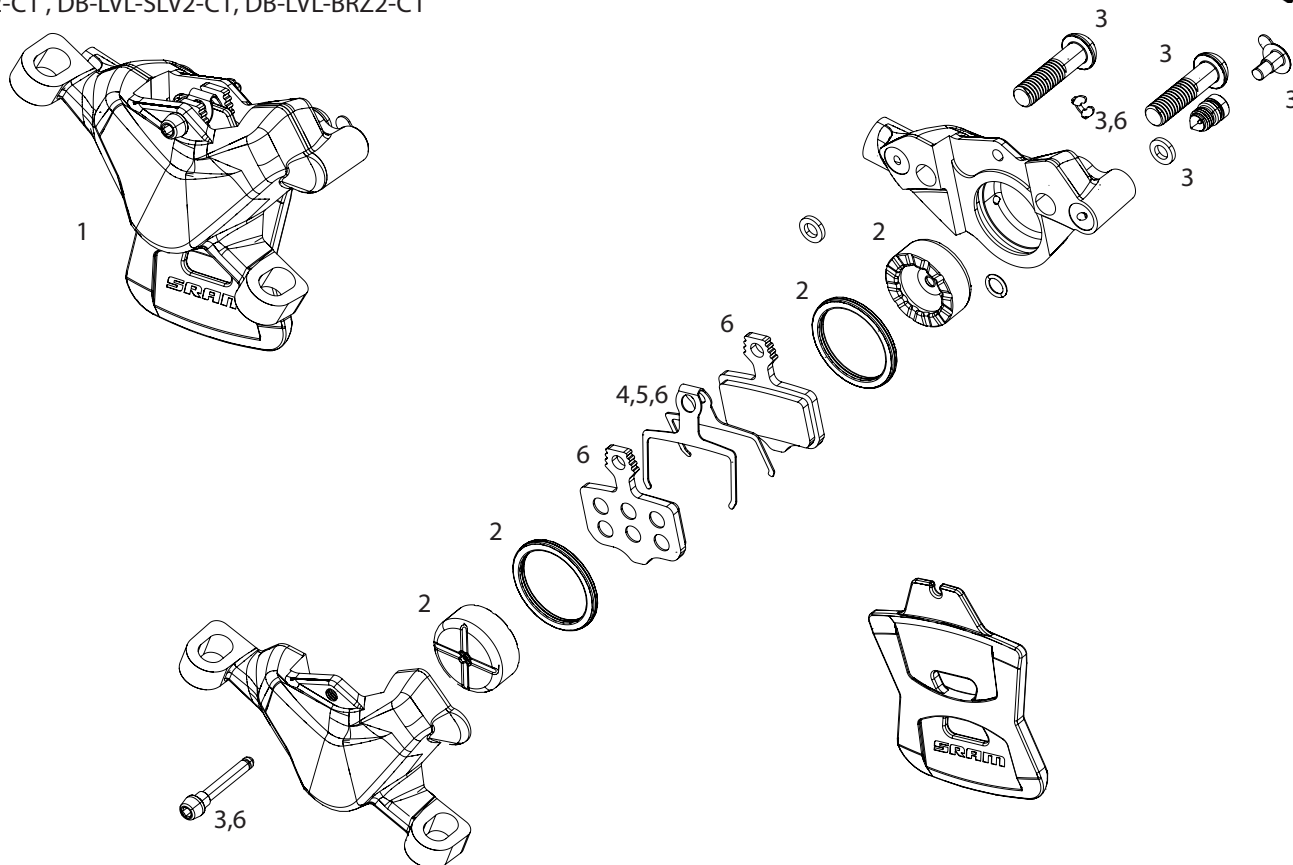
DB-LVL-ULT4-C1, DB-LVL-SLV4-C1, DB-LVL-BRZ4-C1



NO	PART NUMBER	DESCRIPTION
<b>CALIPER SPARES</b>		
1	11.5018.056.018	DISC BRAKE CALIPER ASSEMBLY - (ASSEMBLED, NO HOSE) CLEAR ANODIZED - LEVEL 4P ULTIMATE STEALTH C1
1	11.5018.056.019	DISC BRAKE CALIPER ASSEMBLY - (ASSEMBLED, NO HOSE) BLACK ANODIZED - LEVEL 4P SILVER STEALTH C1
1	11.5018.056.020	DISC BRAKE CALIPER ASSEMBLY - (ASSEMBLED, NO HOSE) DARK POLAR - LEVEL 4P BRONZE STEALTH C1
2	11.5018.020.006	DISC BRAKE CALIPER PISTON KIT - (INCLUDES 2-16MM, 2-14MM CALIPER PISTONS, SEALS, O-RINGS) - GUIDE R, RS, RSC(A1-B1), G2 RSC/ULT (A1)/G2 R/RS (A1), LEVEL 4P ULT/SLV (C1+)
3	11.5018.057.000	DISC BRAKE CALIPER HARDWARE KIT - (INCLUDES STAINLESS BODY BOLT, BANJO BOLT, SINGLE PORT BLEED SCREW, PAD PIN) S4 CALIPER - G2 RSC/ULT/LEVEL 4PISTON
3	11.5018.057.003	DISC BRAKE CALIPER HARDWARE KIT - (INCLUDES BLACK BODY BOLT, BANJO BOLT, BLEED SCREW, PAD PIN) - G2 R/RS,LEVEL BRZ 4PISTON
4	11.5018.006.000	DISC BRAKE PAD H-SPRING - (QTY 2) - XO TRAIL, GUIDE S4/ULT, G2 R/RS/RSC/ULT/LEVEL 4PISTON
5	11.5018.033.000	DISC BRAKE PAD PIN KIT - STAINLESS STEEL (QTY 2) S4 CALIPER CODE/GUIDE ULT/RSC (B1)/RS(B1)/R(B1), G2 R/RS/RSC/ULT (A1)/LEVEL 4PISTON
<b>BRAKE PADS</b>		
6	00.5318.003.003	DISC BRAKE PADS - MEDIUM ORGANIC/ALUMINUM (QUIET/LIGHT) - TRAIL/GUIDE/G2/LEVEL 4PISTON
6	00.5318.003.004	DISC BRAKE PADS - MEDIUM ORGANIC/STEEL (QUIET) - TRAIL/GUIDE/G2/LEVEL 4PISTON
6	00.5318.003.005	DISC BRAKE PADS - MEDIUM SINTERED/STEEL (HEAVY DUTY) - TRAIL/GUIDE/G2/LEVEL 4PISTON
6	00.5318.003.006	DISC BRAKE PADS - MEDIUM ORGANIC/STEEL (POWERFUL) - TRAIL/GUIDE/G2/LEVEL 4PISTON - OE MTB Pad
<b>HYDRAULIC LINES &amp; FITTINGS</b>		
ns	11.5309.766.000	DISC BRAKE COMPRESSION HOSE NUT - (QTY 5)
ns	11.5378.803.004	DISC BRAKE HOSE FITTING KIT - (INCLUDES 1 THREADED HOSE BARB, 1 RED COMP FITTING) - AVID & SRAM BRAKES
ns	00.5318.038.000	Disc Brake Hydraulic Hose Kit - Silver Banjo -2000mmBlk (inc. banjo, fittings) - XX, Juicy5/7/,Guide R/RS/RSC/Ult (B1),Guide T(A1),G2 RSC/ULT, Level 4Piston ULT/SLV(C1), MAVEN ULT/SLV (A1)
ns	00.5318.036.000	Disc Brake Hydraulic Hose Kit-DoubleCompression 2000mmBlk-CodeR,Elixir1/3,Juicy3,DB 1/3,Level 2P ULT/SLV/TLM/TL/T/4PBZR(B1+),GuideRE,G2RE/RS/R,DB8,Red,Force,Rival(2P)eTapAXS, MAVEN BRZ (A1)
<b>TOOLS</b>		
ns	00.5318.015.001	SRAM TOOL BLEEDING EDGE (WORKS WITH AVID/SRAM PRO BLEED KITS) -S4/MONOBLOCK CALIPERS,GUIDE ULT/RSC/RS/R (B1)/T (A1),LEVEL ULT/SLV/TLM (A1),G2,CODE A1-C1
ns	11.5018.059.002	DISC BRAKE BLEED BLOCK - (USED FOR BLEEDING BRAKES) - UNIVERSAL - FITS SMALL, MEDIUM, AND LARGE CALIPERS
ns	00.5318.035.000	SRAM Tool Ultimate Piston Press (evenly pushes pistons back for pad replacement and bleeding) - fits Small, Medium, and Large Calipers
<b>BLEED KITS</b>		
ns	00.5318.045.000	STANDARD BRAKE BLEED KIT (INCLUDES 2 SYRINGES/FITTINGS, BLEED BLOCKS, TORX TOOL, CROWFOOT, BLEEDING EDGE FITTING, DOT5.1 HYDRAULIC FLUID) V2 - SRAM X0/ XX/ GUIDE/LEVEL/CODE/HYDROR/G2
ns	00.5318.045.001	STANDARD BRAKE BLEED KIT (INCLUDES 2 SYRINGES/FITTINGS, BLEED BLOCKS, TORX TOOL, CROWFOOT, BLEEDING EDGE FITTING) V2 - SRAM X0/ XX/ GUIDE/LEVEL/CODE/HYDROR/G2
ns	00.5318.045.002	PRO BRAKE BLEED KIT (INCLUDES 2 SYRINGES/FITTINGS, BLEED BLOCKS, TORX TOOL, CROWFOOT, BLEEDING EDGE FITTING, DOT 5.1 HYDRAULIC FLUID) V2 - SRAM X0/ XX/ GUIDE/LEVEL/CODE/HYDROR/G2
ns	00.5318.045.003	PRO BRAKE BLEED KIT (INCLUDES 2 SYRINGES/FITTINGS, BLEED BLOCKS, TORX TOOL, CROWFOOT, BLEEDING EDGE FITTING) V2 - SRAM X0/ XX/ GUIDE/LEVEL/CODE/HYDROR/G2

# LEVEL STEALTH ULTIMATE/SILVER/BRONZE - 2 PISTON CALIPERS C1 (2024)

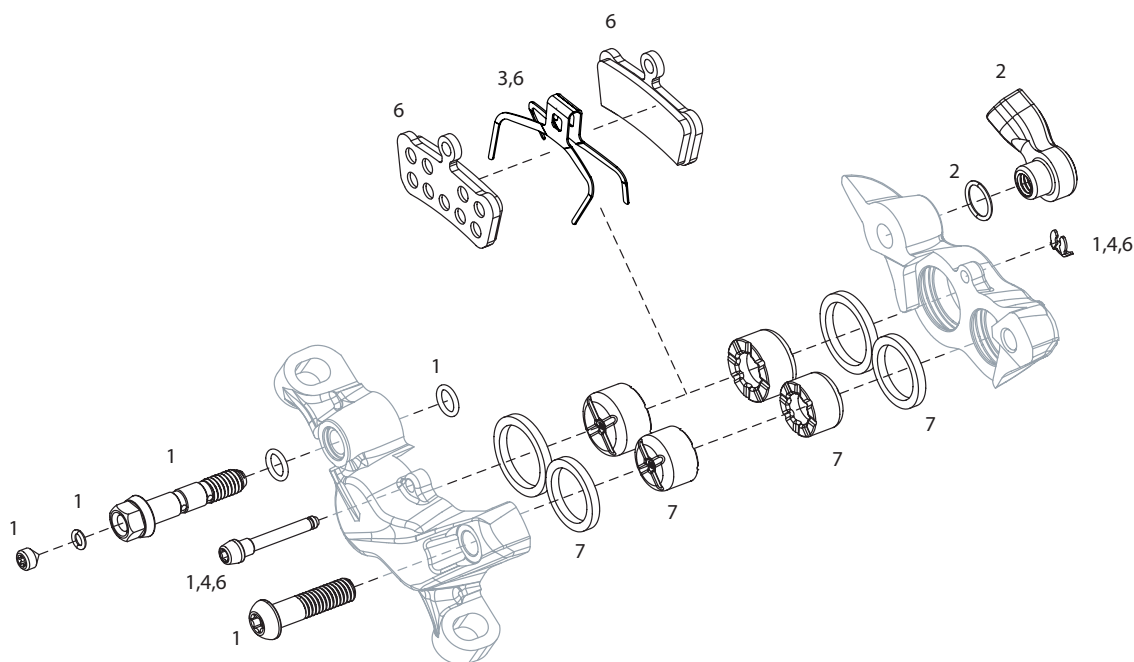
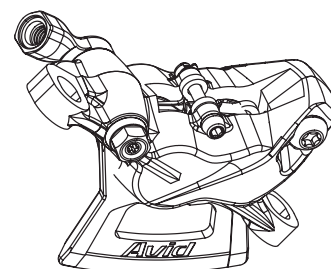
DB-LVL-ULT2-C1 , DB-LVL-SLV2-C1, DB-LVL-BRZ2-C1



NO	PART NUMBER	DESCRIPTION
		<b>CALIPER SPARES</b>
1	11.5018.056.021	DISC BRAKE CALIPER ASSEMBLY - (ASSEMBLED, NO HOSE) GLOSS BLACK ANO - LEVEL 2P ULTIMATE STEALTH C1
1	11.5018.056.022	DISC BRAKE CALIPER ASSEMBLY - (ASSEMBLED, NO HOSE) BLACK ANODIZED - LEVEL 2P SILVER STEALTH C1
1	11.5018.056.023	DISC BRAKE CALIPER ASSEMBLY - (ASSEMBLED, NO HOSE) DARK POLAR - LEVEL 2P BRONZE STEALTH C1
2	11.5018.058.000	DISC BRAKE CALIPER PISTON KIT - (INCLUDES 2-21MM PHENOLIC CALIPER PISTONS, SEALS, O-RINGS) - LEVEL ULT/TLM/SLVB1+, FORCE ETAP AXS
2	11.5018.020.004	DISC BRAKE CALIPER PISTON KIT - (INCLUDES 2-21mm CALIPER PISTONS, SEALS & O-RINGS) - LEVEL TL/T/BRZ
3	11.5018.057.001	DISC BRAKE CALIPER HARDWARE KIT - (INCLUDES STAINLESS MOUNTING BOLTS, CLIP, CALIPER BODY SEALS AND PAD PIN) - LEVEL TLM/ULT/SLV B1+
3	11.5018.021.006	DISC BRAKE CALIPER HARDWARE KIT - (INCLUDES BODY BOLTS, BLEED SCREW, PAD PIN) - LEVEL TL/BRZ
4	11.5015.035.000	DISC BRAKE PAD H-SPRING - (QTY 2) - ELIXIR/DB/LEVEL B1+2PISTON/FORCE-RIVAL ETAP AXS
5	11.5015.069.210	DISC BRAKE PAD H-SPRING - (QTY 20) - ELIXIR/DB/LEVEL B1+2PISTON/FORCE ETAP AXS
		<b>BRAKE PADS</b>
6	00.5315.035.010	DISC BRAKE PADS - SMALL SINTERED/STEEL (HEAVY DUTY) - 2 PIECE ROAD/ELIXIR/DB/LEVEL B1 (2020+)
6	00.5315.035.020	DISC BRAKE PADS - SMALL ORGANIC/ALUMINUM (QUIET/LIGHT) - 2 PIECE ROAD/ELIXIR/DB/LEVEL B1 (2020+)
6	00.5315.035.031	DISC BRAKE PADS - SMALL ORGANIC/STEEL (POWERFUL) - 2 PIECE ROAD/ELIXIR/DB/LEVEL B1 (2020+) - OE MTB Pad
6	00.5318.024.001	DISC BRAKE PADS - SMALL ORGANIC/STEEL (QUIET) - 2 PIECE ROAD/ELIXIR/DB/LEVEL B1 (2020+) - OE ROAD PAD
		<b>HYDRAULIC LINES &amp; FITTINGS</b>
ns	11.5309.766.000	DISC BRAKE COMPRESSION HOSE NUT - (QTY 5)
ns	11.5378.803.004	DISC BRAKE HOSE FITTING KIT - (INCLUDES 1 THREADED HOSE BARB, 1 RED COMP FITTING) - AVID & SRAM BRAKES
ns	00.5318.036.000	Disc Brake Hydraulic Hose Kit-DoubleCompression 2000mmBlk-CodeR,Elixir1/3,Juicy3,DB 1/3,Level 2P ULT/SLV/TLM/TL/T/4PBZR(B1+),GuideRE,G2RE/RS/R,DB8,Red,Force,Rival(2P)eTapAXS, MAVEN BRZ (A1)
ns	00.5318.037.000	Disc Brake Hydraulic Hose Kit - Threaded Inline Crimp -2000mmBlk (inc. crimp, fittings) - Elixir 5/7/9/R/CR/X0,Guide RSC (A1),Guide R/RS (A1),DB5,Level TL/BRZ 2P
		<b>TOOLS</b>
ns	00.5318.015.001	SRAM TOOL BLEEDING EDGE (WORKS WITH AVID/SRAM PRO BLEED KITS) -S4/MONOBLOCK CALIPERS,GUIDE ULT/RSC/RS/R (B1)/T (A1),LEVEL ULT/SLV/TLM (A1),G2,CODE A1-C1
ns	00.5318.026.000	SRAM Caliper 21mm Piston Removal Tool (includes plug, removal block) - Level ULT/TLM/SLV eTap HRD
ns	11.5018.059.002	DISC BRAKE BLEED BLOCK - (USED FOR BLEEDING BRAKES) - UNIVERSAL - FITS SMALL, MEDIUM, AND LARGE CALIPERS
ns	00.5318.035.000	SRAM Tool Ultimate Piston Press (evenly pushes pistons back for pad replacement and bleeding) - fits Small, Medium, and Large Calipers
ns	00.5318.045.000	STANDARD BRAKE BLEED KIT (INCLUDES 2 SYRINGES/FITTINGS, BLEED BLOCKS, TORX TOOL, CROWFOOT, BLEEDING EDGE FITTING, DOT5.1 HYDRAULIC FLUID) V2 - SRAM X0/ XX/ GUIDE/LEVEL/CODE/HYDROR/G2
ns	00.5318.045.001	STANDARD BRAKE BLEED KIT (INCLUDES 2 SYRINGES/FITTINGS, BLEED BLOCKS, TORX TOOL, CROWFOOT, BLEEDING EDGE FITTING) V2 - SRAM X0/ XX/ GUIDE/LEVEL/CODE/HYDROR/G2
ns	00.5318.045.002	PRO BRAKE BLEED KIT (INCLUDES 2 SYRINGES/FITTINGS, BLEED BLOCKS, TORX TOOL, CROWFOOT, BLEEDING EDGE FITTING, DOT 5.1HYDRAULIC FLUID) - SRAM X0/ XX/ GUIDE/LEVEL/CODE/HYDROR/G2
ns	00.5318.045.003	PRO BRAKE BLEED KIT (INCLUDES 2 SYRINGES/FITTINGS, BLEED BLOCKS, TORX TOOL, CROWFOOT, BLEEDING EDGE FITTING) - SRAM X0/ XX/ GUIDE/LEVEL/CODE/HYDROR/G2

# GUIDE R/RS/RSC - HYDRAULIC DISC BRAKE - CALIPERS A1 (2015-2016)

DB-GDE-R-A1 / DB-GDE-RS-A1 / DB-GDE-RSC-A1

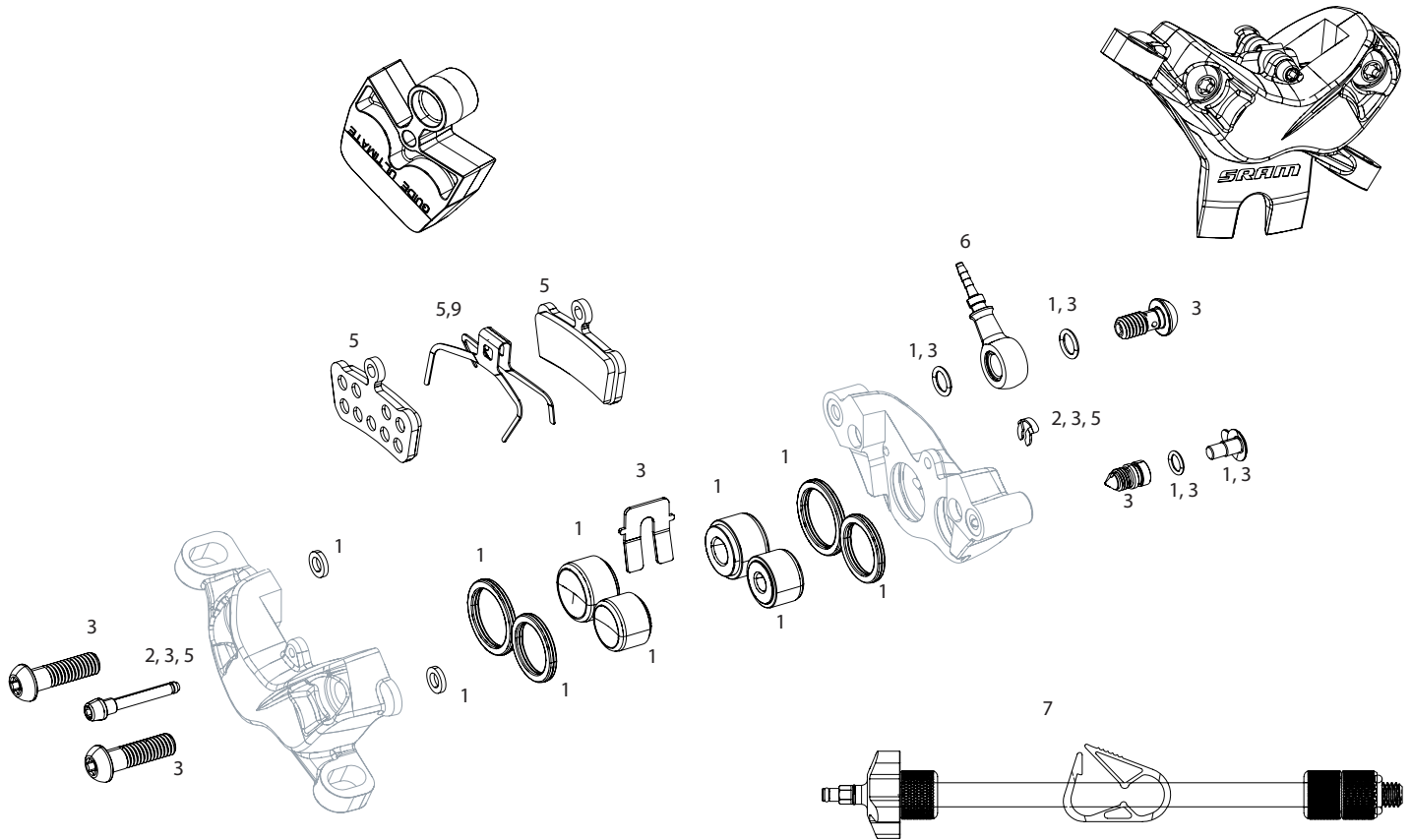


**NOTES:**

1. See lever pages for exploded view of Hydraulic Line kits

NO.	PART NUMBER	
<b>CALIPER SPARES</b>		
1	11.5018.021.001	DISC BRAKE CALIPER HARDWARE KIT - (INCLUDES BLACK BODY BOLT, BANJO BOLT, BLEED SCREW, PAD PIN) - GUIDE R/RS
2	11.5015.060.020	DISC BRAKE CALIPER BANJO KIT - BLACK (QTY 1) - ELIXIR R/CR/CR MAG/X0/ELIXIR 9/ELIXIR 7/GUIDE R,RS,RSC
3	11.5018.006.000	DISC BRAKE PAD H-SPRING - (QTY 2) - XO TRAIL, GUIDE S4/ULT, G2 R/RS/RSC/ULT/LEVEL 4PISTON
4	11.5015.036.000	DISC BRAKE PAD PIN KIT - BLACK (QTY 2) - ELIXIR/CODE/GUIDE R,RE,RS,RSC
7	11.5018.020.006	DISC BRAKE CALIPER PISTON KIT - (INCLUDES 2-16MM & 2-14MM CALIPER PISTONS, SEALS & O-RINGS) - GUIDE R, RS, RSC(A1-B1), G2 RSC/ULT (A1)/G2 R/RS (A1)
<b>BRAKE PADS</b>		
6	00.5318.003.003	DISC BRAKE PADS - MEDIUM ORGANIC/ALUMINUM (QUIET/LIGHT) - TRAIL/GUIDE/G2/LEVEL 4PISTON
6	00.5318.003.004	DISC BRAKE PADS - MEDIUM ORGANIC/STEEL (QUIET) - TRAIL/GUIDE/G2/LEVEL 4PISTON
6	00.5318.003.005	DISC BRAKE PADS - MEDIUM SINTERED/STEEL (HEAVY DUTY) - TRAIL/GUIDE/G2/LEVEL 4PISTON
<b>HYDRAULIC LINES &amp; FITTING</b>		
ns	00.5318.037.000	Disc Brake Hydraulic Hose Kit - Threaded Inline Crimp -2000mmBlk (inc. crimp, fittings) - Elixir 5/7/9/R/CR/X0,Guide RSC (A1),Guide R/RS (A1),DB5,Level TL/BRZ 2P
ns	11.5309.766.000	DISC BRAKE COMPRESSION HOSE NUT - (QTY 5)
ns	11.5378.803.004	DISC BRAKE HOSE FITTING KIT - (INCLUDES 1 THREADED HOSE BARB, 1 RED COMP FITTING) - AVID & SRAM BRAKES
<b>TOOLS</b>		
ns	11.5018.059.002	DISC BRAKE BLEED BLOCK - (USED FOR BLEEDING BRAKES) - UNIVERSAL - FITS SMALL, MEDIUM, AND LARGE CALIPERS
ns	00.5318.035.000	SRAM Tool Ultimate Piston Press (evenly pushes pistons back for pad replacement and bleeding) - fits Small, Medium, and Large Calipers

**GUIDE T/R/RS/RSC - HYDRAULIC DISC BRAKE - S4 CALIPERS B1**  
**T (2018-2024) - R (2017-2020) - RS (2017-2019) - RSC (2017-2019)**  
 DB-GDE-R-B1 / DB-GDE-RS-B1 / DB-GDE-RSC-B1 / DB-GDE-T-A1



**NOTES:**

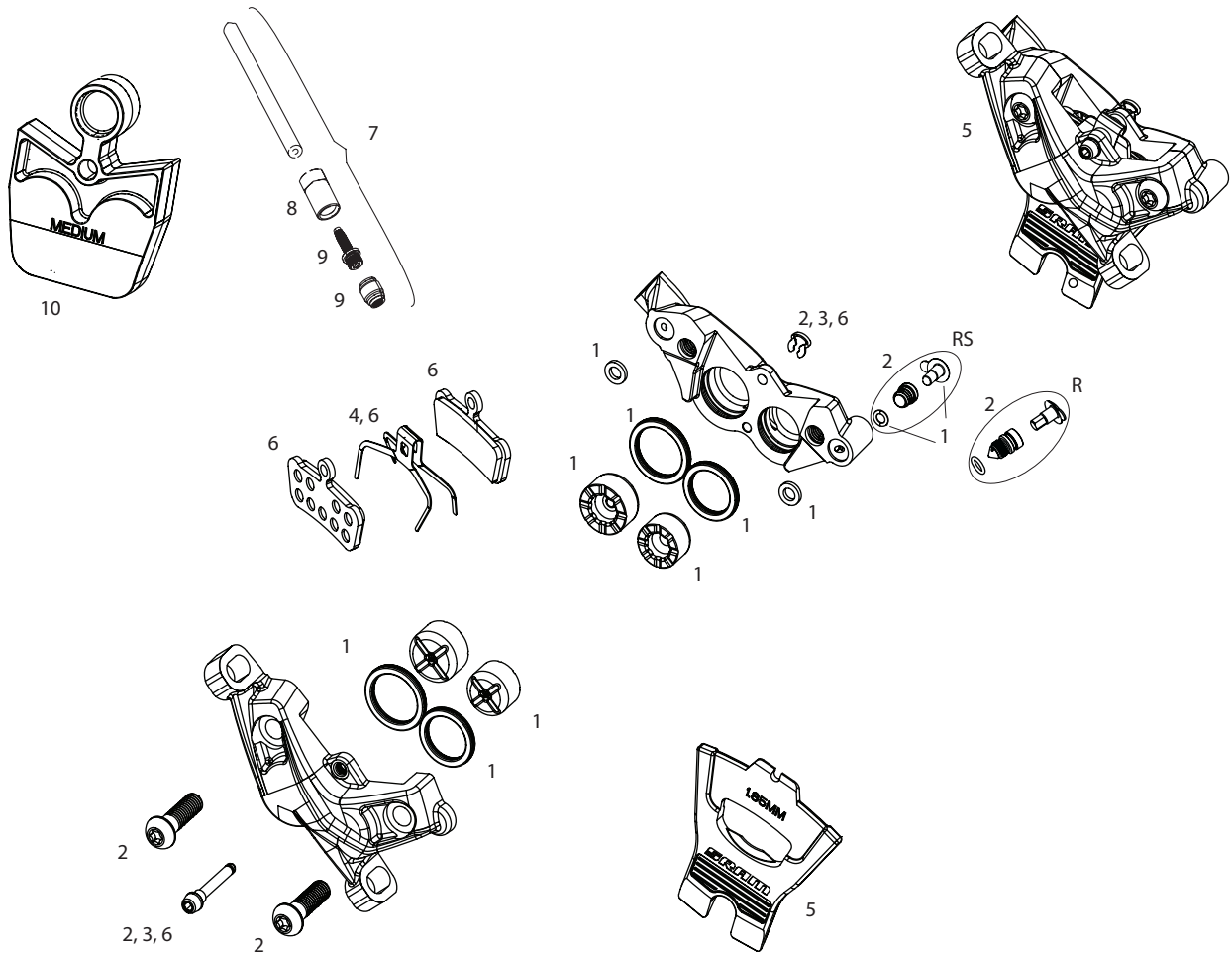
1. The B1 (2017) Generation was upgraded to the S4 caliper and uses S4 caliper kits & S4 Hydraulic Line Kit.
2. See lever pages for exploded view of Hydraulic Line kits
3. SRAM Tool Bleeding Edge needed to bleed S4 calipers

NO.	PART NUMBER	DESCRIPTION
<b>CALIPER SPARES</b>		
1	11.5018.020.006	DISC BRAKE CALIPER PISTON KIT - (INCLUDES 2-16MM & 2-14MM CALIPER PISTONS, SEALS & O-RINGS) - GUIDE R, RS, RSC(A1-B1), G2 RSC/ULT (A1)/G2 R/RS (A1)
2	11.5018.033.000	DISC BRAKE PAD PIN KIT - STAINLESS STEEL (QTY 2) S4 CALIPER CODE/GUIDE ULT/RSC (B1)/RS(B1)/R(B1), G2 R/RS/RSC/ULT (A1)/LEVEL 4PISTON
3	11.5018.057.000	DISC BRAKE CALIPER HARDWARE KIT - (INCLUDES STAINLESS BODY BOLT, BANJO BOLT, SINGLE PORT BLEED SCREW, PAD PIN) S4 CALIPER - G2 RSC/ULT/LEVEL 4PISTON
4	11.5018.056.012	DISC BRAKE CALIPER ASSEMBLY - (ASSEMBLED, NO HOSE) DIFFUSION BLACK ANO- G2 RSC (A2)
4	11.5018.056.001	DISC BRAKE CALIPER ASSEMBLY - (ASSEMBLED, NO HOSE) DIFFUSION BLACK - G2 RSC (A1)
9	11.5018.006.000	DISC BRAKE PAD H-SPRING - (QTY 2) - XO TRAIL, GUIDE S4/ULT, G2 R/RS/RSC/ULT/LEVEL 4PISTON
ns	00.5318.029.000	Disc Brake Caliper Hardware Upgrade Kit - Rainbow (includes CPS mounting bolts, banjo bolt, H-Spring, pad pin) to upgrade QTY 2 calipers, G2 ULT/RSC
<b>BRAKE PADS</b>		
5	00.5318.003.003	DISC BRAKE PADS - MEDIUM ORGANIC/ALUMINUM (QUIET/LIGHT) - TRAIL/GUIDE/G2/LEVEL 4PISTON
5	00.5318.003.004	DISC BRAKE PADS - MEDIUM ORGANIC/STEEL (QUIET) - TRAIL/GUIDE/G2/LEVEL 4PISTON
5	00.5318.003.005	DISC BRAKE PADS - MEDIUM SINTERED/STEEL (HEAVY DUTY) - TRAIL/GUIDE/G2/LEVEL 4PISTON
5	00.5318.003.006	DISC BRAKE PADS - MEDIUM ORGANIC/STEEL (POWERFUL) - TRAIL/GUIDE/G2/LEVEL 4PISTON - OE MTB Pad
<b>HYDRAULIC LINES &amp; FITTING</b>		
6	00.5318.038.000	Disc Brake Hydraulic Hose Kit - Silver Banjo -2000mmBlk (inc. banjo, fittings) - XX, Juicy5/7/, Guide R/RS/RSC/Ult (B1), Guide T(A1), G2 RSC/ULT, Level 4Piston ULT/SLV(C1), MAVEN ULT/SLV (A1)
ns	11.5309.766.000	DISC BRAKE COMPRESSION HOSE NUT - (QTY 5)
ns	11.5378.803.004	DISC BRAKE HOSE FITTING KIT - (INCLUDES 1 THREADED HOSE BARB, 1 RED COMP FITTING) - AVID & SRAM BRAKES
<b>TOOLS</b>		
7	00.5318.015.001	SRAM TOOL BLEEDING EDGE (WORKS WITH AVID/SRAM PRO BLEED KITS) -S4/MONOBLOCK CALIPERS, GUIDE ULT/RSC/RS/R (B1)/T (A1), LEVEL ULT/SLV/TLM (A1), G2, CODE A1-C1
8	11.5018.059.000	DISC BRAKE BLEED BLOCK - MEDIUM - G2 R/RS/RSC/ULT A1+/LEVEL 4PISTON
ns	11.5018.059.002	DISC BRAKE BLEED BLOCK - (USED FOR BLEEDING BRAKES) - UNIVERSAL - FITS SMALL, MEDIUM, AND LARGE CALIPERS
ns	00.5318.035.000	SRAM Tool Ultimate Piston Press (evenly pushes pistons back for pad replacement and bleeding) - fits Small, Medium, and Large Calipers



# G2 R/RS - HYDRAULIC DISC BRAKE

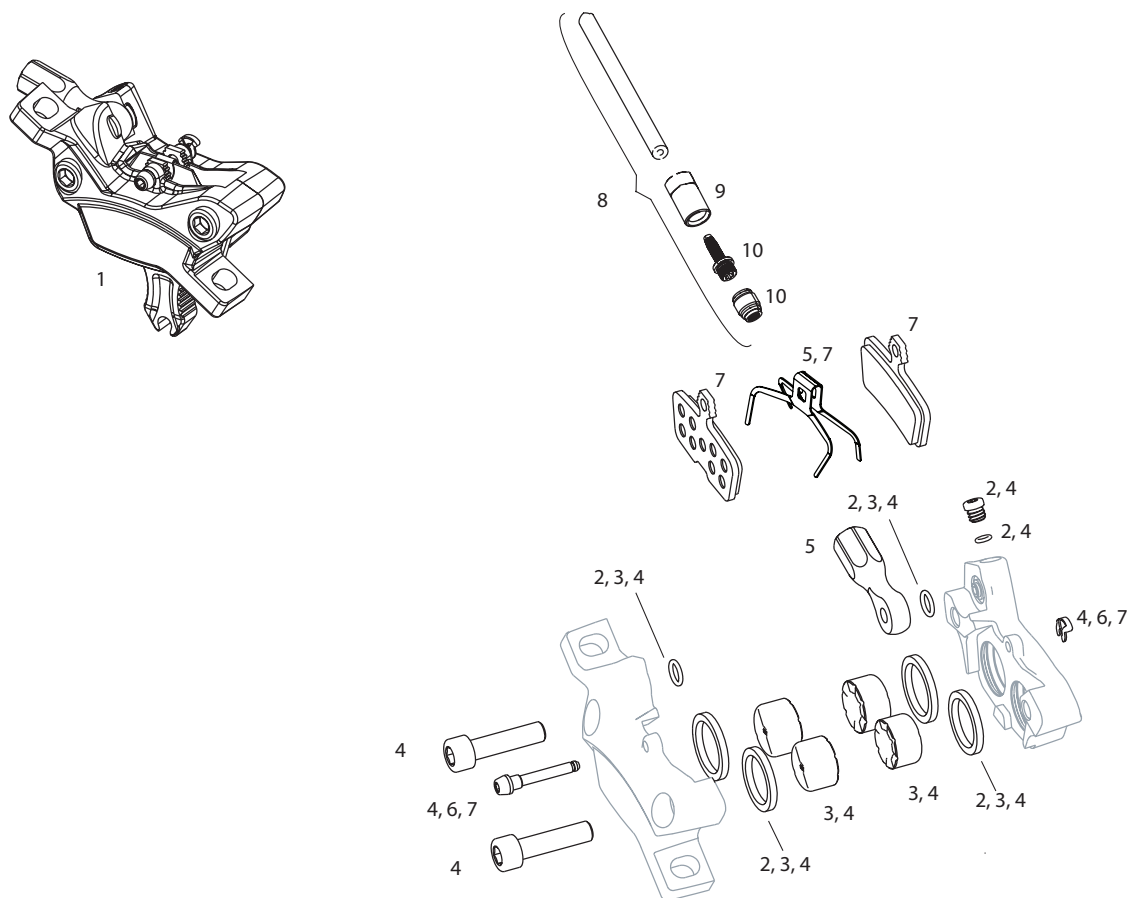
DB-G2-R-A1 / DB-G2-RS-A1



NO.	PART NUMBER	DESCRIPTION
<b>CALIPER SPARES</b>		
1	11.5018.020.006	DISC BRAKE CALIPER PISTON KIT - (INCLUDES 2-16MM & 2-14MM CALIPER PISTONS, SEALS & O-RINGS) - GUIDE R, RS, RSC(A1-B1), G2 RSC/ULT (A1)/G2 R/RS (A1)
2	11.5018.057.003	DISC BRAKE CALIPER HARDWARE KIT - (INCLUDES BLACK BODY BOLT, BANJO BOLT, BLEED SCREW, PAD PIN) - G2 R/RS, LEVEL BRZ 4PISTON
3	11.5015.036.000	DISC BRAKE PAD PIN KIT - BLACK (QTY 2) - ELIXIR/CODE/GUIDE R, RE, RS, RSC
4	11.5015.069.410	DISC BRAKE PAD H-SPRING - (QTY 20) - XO TRAIL, GUIDE S4/ULT, G2 R/RS/RSC/ULT
4	11.5018.006.000	DISC BRAKE PAD H-SPRING - (QTY 2) - XO TRAIL, GUIDE S4/ULT, G2 R/RS/RSC/ULT/LEVEL 4PISTON
5	11.5018.056.007	DISC BRAKE CALIPER ASSEMBLY - (ASSEMBLED, NO HOSE) DIFFUSION BLACK ANO- G2 RS (A2)
5	11.5018.056.008	DISC BRAKE CALIPER ASSEMBLY - (ASSEMBLED, NO HOSE) DIFFUSION BLACK ANO- G2 R (A2)
<b>BRAKE PADS</b>		
6	00.5318.003.003	DISC BRAKE PADS - MEDIUM ORGANIC/ALUMINUM (QUIET/LIGHT) - TRAIL/GUIDE/G2/LEVEL 4PISTON
6	00.5318.003.004	DISC BRAKE PADS - MEDIUM ORGANIC/STEEL (QUIET) - TRAIL/GUIDE/G2/LEVEL 4PISTON
6	00.5318.003.005	DISC BRAKE PADS - MEDIUM SINTERED/STEEL (HEAVY DUTY) - TRAIL/GUIDE/G2/LEVEL 4PISTON
6	00.5318.003.006	DISC BRAKE PADS - MEDIUM ORGANIC/STEEL (POWERFUL) - TRAIL/GUIDE/G2/LEVEL 4PISTON - OE MTB Pad
<b>HYDRAULIC LINES &amp; FITTING</b>		
7	00.5318.036.000	Disc Brake Hydraulic Hose Kit-DoubleCompression 2000mmBlk-CodeR,Elixir1/3,Juicy3,DB 1/3,Level 2P ULT/SLV/TLM/TL/T/4PBZR(B1+),GuideRE,G2RE/RS/R,DB8,Red,Force,Rival(2P)eTapAXS, MAVEN BRZ (A1)
8	11.5309.766.000	DISC BRAKE COMPRESSION HOSE NUT - (QTY 5)
9	11.5378.803.004	DISC BRAKE HOSE FITTING KIT - (INCLUDES 1 THREADED HOSE BARB, 1 RED COMP FITTING) - AVID & SRAM BRAKES
<b>TOOLS</b>		
ns	00.5318.015.001	SRAM TOOL BLEEDING EDGE (WORKS WITH AVID/SRAM PRO BLEED KITS) -S4/MONOBLOCK CALIPERS,GUIDE ULT/RSC/RS/R (B1)/T (A1),LEVEL ULT/SLV/TLM (A1),G2,CODE A1-C1
10	11.5018.059.000	DISC BRAKE BLEED BLOCK - MEDIUM - G2 R/RS/RSC/ULT A1+/LEVEL 4PISTON
ns	11.5018.059.002	DISC BRAKE BLEED BLOCK - (USED FOR BLEEDING BRAKES) - UNIVERSAL - FITS SMALL, MEDIUM, AND LARGE CALIPERS
ns	00.5318.035.000	SRAM Tool Ultimate Piston Press (evenly pushes pistons back for pad replacement and bleeding) - fits Small, Medium, and Large Calipers

# GUIDE RE - HYDRAULIC DISC BRAKE - CALIPERS A1(2017-2020)

DB-GDE-RE-A1



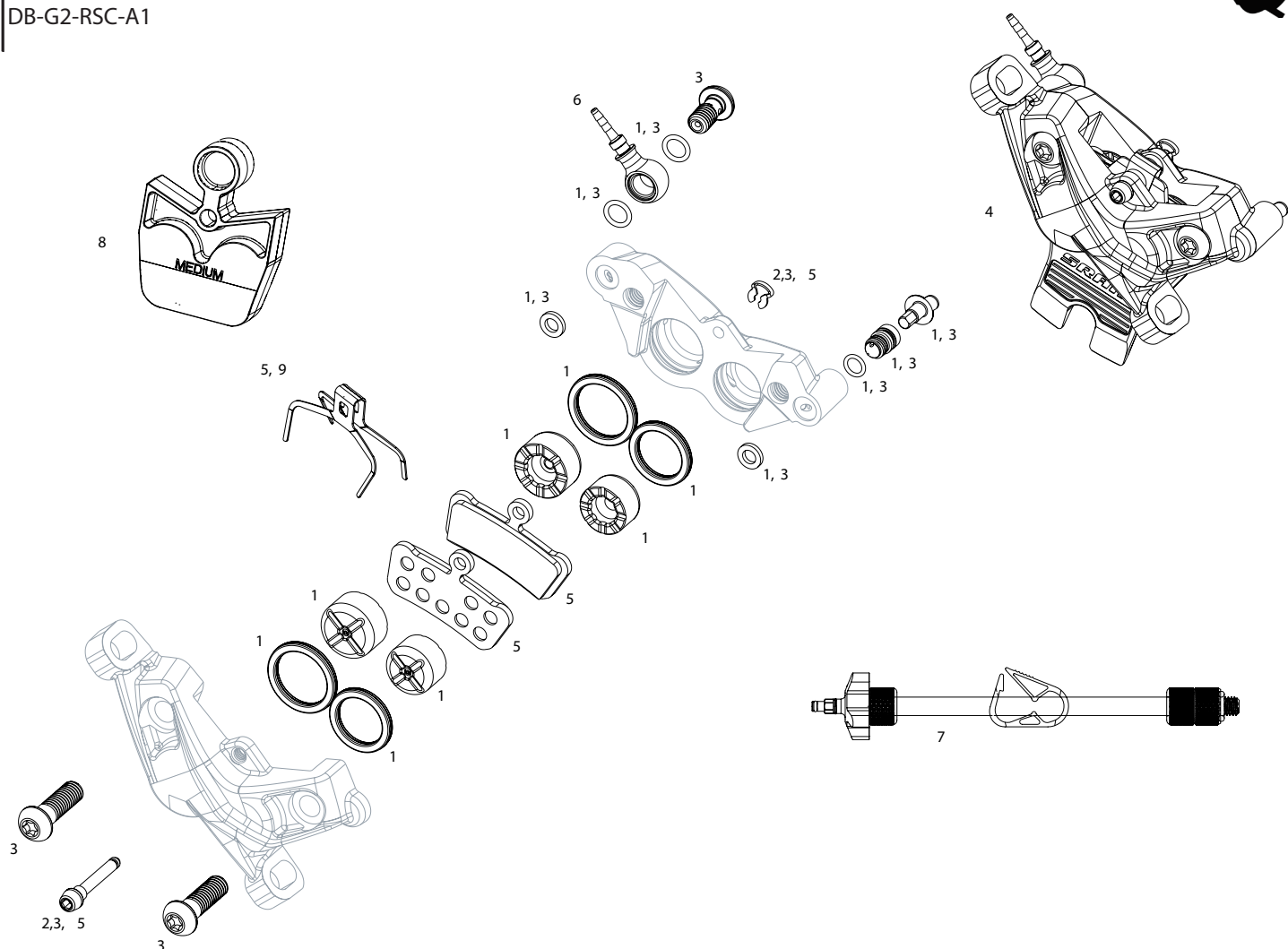
**NOTES:**

1. Guide RE brakes use Guide R styled Levers with Code-styled calipers.

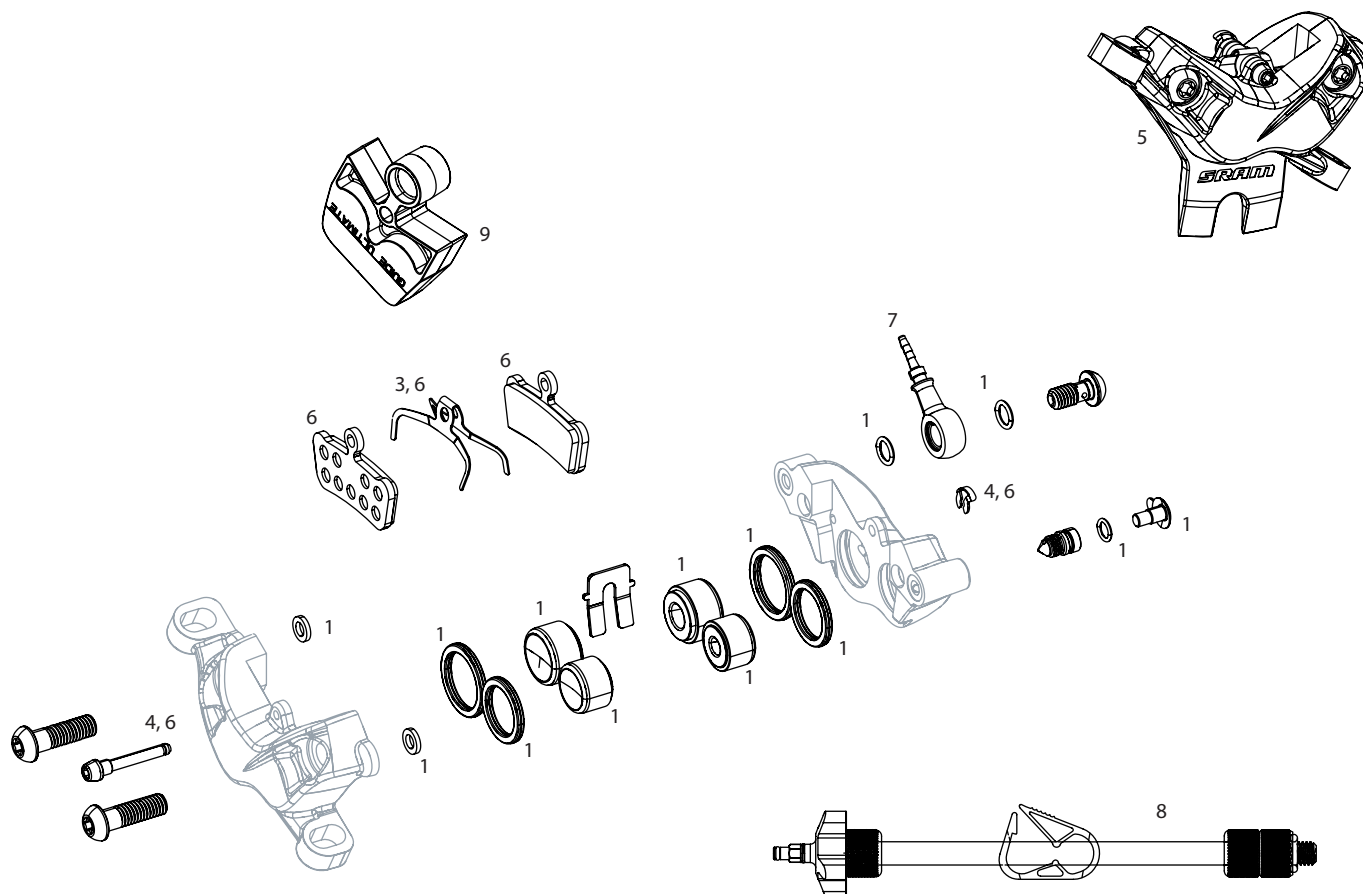
NO.	PART NUMBER	
<b>CALIPER SPARES</b>		
1	11.5018.008.032	DISC BRAKE CALIPER ASSEMBLY - (ASSEMBLED, NO HOSE) GREY - GUIDE RE (A1)
2	11.5015.068.010	DISC BRAKE CALIPER KIT - (INCLUDES SEALS & BLEED SCREWS) - CODE(2011-2017)/GUIDE RE
3	11.5015.068.020	DISC BRAKE CALIPER PISTON KIT - (INCLUDES PISTONS, SEALS)- CODE(2011-2017)/GUIDE RE
4	11.5015.068.040	DISC BRAKE CALIPER KIT - (INCLUDES PISTONS, SEALS, GUIDE PIN, BANJO & BOLTS) - CODE (2011-2017)/GUIDE RE
5	11.5015.068.050	DISC BRAKE PAD H-SPRING - (QTY 2) - CODE (2011-2017)/GUIDE RE
6	11.5015.036.000	DISC BRAKE PAD PIN KIT - BLACK (QTY 2) - ELIXIR/CODE/GUIDE R,RE,RS,RSC
<b>BRAKE PADS</b>		
7	00.5315.023.010	DISC BRAKE PADS - LARGE SINTERED/STEEL (HEAVY DUTY) - CODE 2011+/ GUIDE RE/G2 RE/DB8
7	00.5315.023.020	DISC BRAKE PADS - LARGE ORGANIC/ALUMINUM (QUIET/LIGHT) - CODE 2011+/ GUIDE RE/G2 RE/DB8
7	00.5315.023.030	DISC BRAKE PADS - LARGE ORGANIC/STEEL (QUIET) - CODE 2011+/ GUIDE RE/G2 RE/DB8
<b>HYDRAULIC LINES &amp; FITTING</b>		
8	00.5318.036.000	DISC BRAKE HYDRAULIC HOSE KIT - DOUBLE COMPRESSION -2000MMBLK-AVIDCODE/R,ELIXIR1/3,JUICY3,DB 1/3/8, LEVELULT/TLM(B1),LEVEL/T,GUIDE RE,G2 RE/RS/R,S9002P(RED,FORCE,RIVAL-2PETAPAXS)
9	11.5309.766.000	DISC BRAKE COMPRESSION HOSE NUT - (QTY 5)
10	11.5378.803.004	DISC BRAKE HOSE FITTING KIT - (INCLUDES 1 THREADED HOSE BARB, 1 RED COMP FITTING) - AVID & SRAM BRAKES
<b>TOOLS</b>		
ns	11.5018.059.002	DISC BRAKE BLEED BLOCK - (USED FOR BLEEDING BRAKES) - UNIVERSAL - FITS SMALL, MEDIUM, AND LARGE CALIPERS
ns	00.5318.035.000	SRAM Tool Ultimate Piston Press (evenly pushes pistons back for pad replacement and bleeding) - fits Small, Medium, and Large Calipers

# G2 RSC - HYDRAULIC DISC BRAKE - A1 (2020-2023)

DB-G2-RSC-A1



NO.	PART NUMBER	
	CALIPER SPARES	
1	11.5018.020.006	DISC BRAKE CALIPER PISTON KIT - (INCLUDES 2-16MM & 2-14MM CALIPER PISTONS, SEALS & O-RINGS) - GUIDE R, RS, RSC(A1-B1), G2 RSC/ULT (A1)/G2 R/RS (A1)
2	11.5018.033.000	DISC BRAKE PAD PIN KIT - STAINLESS STEEL (QTY 2) S4 CALIPER CODE/GUIDE ULTIMATE/RSC (B1)/RS(B1)/R(B1), G2 R/RS/RSC/ULT (A1)
3	11.5018.057.000	DISC BRAKE CALIPER HARDWARE KIT - (INCLUDES STAINLESS BODY BOLT, BANJO BOLT, SINGLE PORT BLEED SCREW, PAD PIN) S4 CALIPER - G2 RSC/ULT
4	11.5018.056.012	DISC BRAKE CALIPER ASSEMBLY - (ASSEMBLED, NO HOSE) DIFFUSION BLACK ANO- G2 RSC (A2)
4	11.5018.056.001	DISC BRAKE CALIPER ASSEMBLY - (ASSEMBLED, NO HOSE) DIFFUSION BLACK - G2 RSC (A1)
9	11.5018.006.000	DISC BRAKE PAD H-SPRING - (QTY 2) - XO TRAIL, GUIDE S4/ULT, G2 R/RS/RSC/ULT
ns	00.5318.029.000	DISC BRAKE CALIPER HARDWARE UPGRADE KIT - RAINBOW (INCLUDES CPS MOUNTING BOLTS, BANJO BOLT, H-SPRING, PAD PIN) TO UPGRADE QTY 2 CALIPERS, G2 ULT/RSC
	BRAKE PADS	
5	00.5318.003.003	DISC BRAKE PADS - MEDIUM ORGANIC/ALUMINUM (QUIET/LIGHT) - TRAIL/GUIDE/G2
5	00.5318.003.004	DISC BRAKE PADS - MEDIUM ORGANIC/STEEL (QUIET) - TRAIL/GUIDE/G2
5	00.5318.003.005	DISC BRAKE PADS - MEDIUM SINTERED/STEEL (HEAVY DUTY) - TRAIL/GUIDE/G2
5	00.5318.003.006	DISC BRAKE PADS - MEDIUM ORGANIC/STEEL (POWERFUL) - TRAIL/GUIDE/G2- OE MTB PAD
	HYDRAULIC LINES & FITTING	
6	00.5318.038.000	DISC BRAKE HYDRAULIC HOSE KIT - SILVER BANJO -2000MMBLK (INC. BANJO, FITTINGS) - XX, JUICY5/7/, GUIDE R/RS/RSC/ULT (B1), GUIDE T(A1), G2 RSC/ULT, MAVEN ULT/SLV (A1)
ns	11.5309.766.000	DISC BRAKE COMPRESSION HOSE NUT - (QTY 5)
ns	11.5378.803.004	DISC BRAKE HOSE FITTING KIT - (INCLUDES 1 THREADED HOSE BARB, 1 RED COMP FITTING) - AVID & SRAM BRAKES
	TOOLS	
7	00.5318.015.001	SRAM TOOL BLEEDING EDGE (WORKS WITH AVID/SRAM PRO BLEED KITS) -S4/MONOBLOCK CALIPERS, GUIDE ULTIMATE/RSC/RS/R (B1)/T (A1)/LEVEL ULT/TLM (A1)/G2 ULT/RSC/RS (A1)
8	11.5018.059.000	DISC BRAKE BLEED BLOCK - MEDIUM - G2 R/RS/RSC/ULTIMATE A1 (2020+)
ns	11.5018.059.002	DISC BRAKE BLEED BLOCK - (USED FOR BLEEDING BRAKES) - UNIVERSAL - FITS SMALL, MEDIUM, AND LARGE CALIPERS
ns	00.5318.035.000	SRAM Tool Ultimate Piston Press (evenly pushes pistons back for pad replacement and bleeding) - fits Small, Medium, and Large Calipers



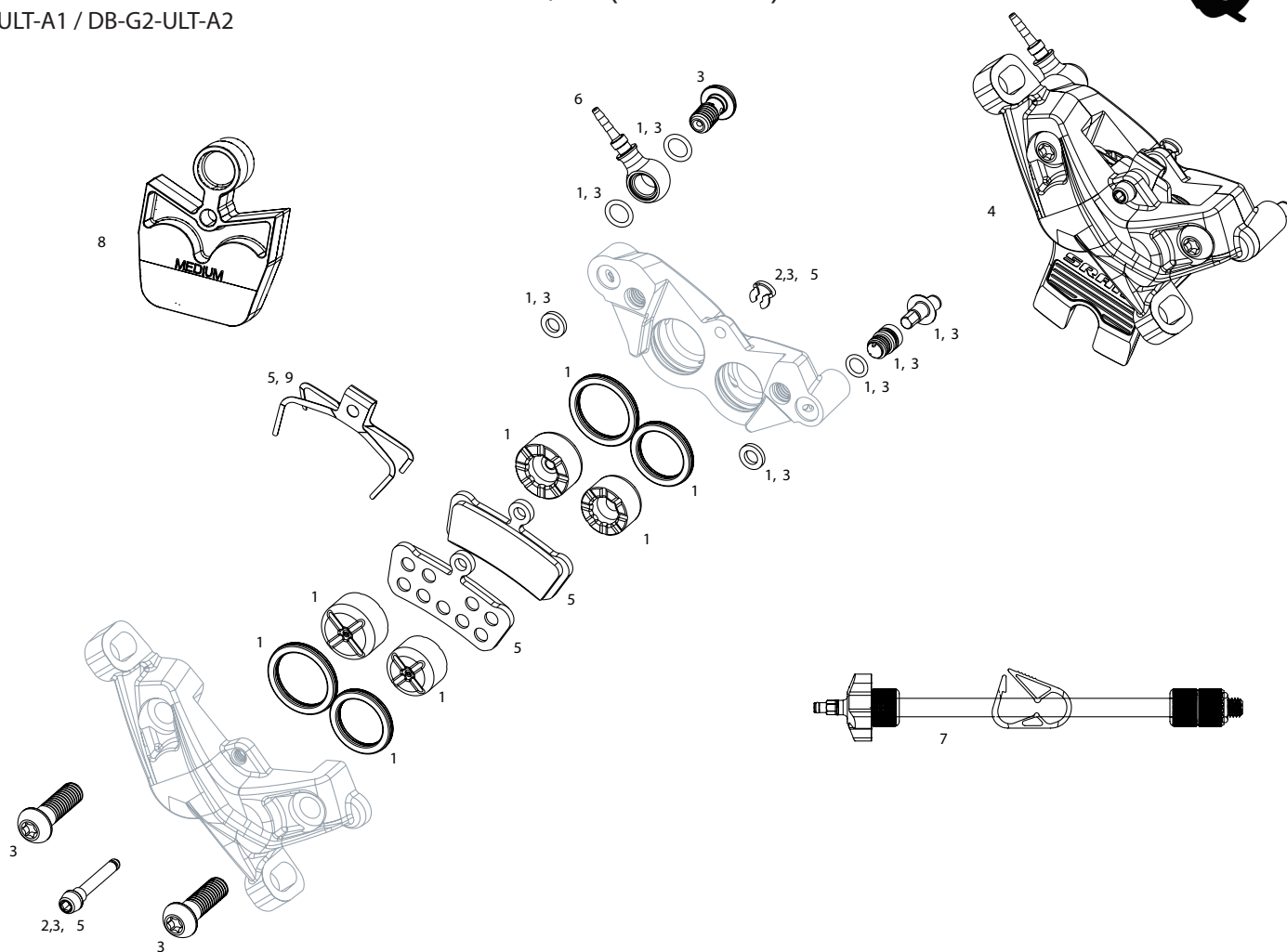
NOTES:

1. See lever pages for exploded view of Hydraulic Line kits
2. SRAM Tool Bleeding Edge needed to bleed GUIDE Ultimate brakes
3. Banjo only available in the Hydraulic Line Kit as it has a crimp factory fitting to attach it to the hose

NO.	PART NUMBER	DESCRIPTION
<b>CALIPER SPARES</b>		
1	11.5018.020.002	DISC BRAKE CALIPER PISTON KIT - (INCLUDES 2-16mm & 2-14mm ALUMINUM CALIPER PISTONS, SEALS & O-RINGS) - GUIDE ULTIMATE
3	11.5018.006.000	DISC BRAKE PAD H-SPRING - (QTY 2) - XO TRAIL, GUIDE S4/ULT, G2 R/RS/RSC/ULT/LEVEL 4PISTON
4	11.5018.033.000	DISC BRAKE PAD PIN KIT - STAINLESS STEEL (QTY 2) S4 CALIPER CODE/GUIDE ULT/RSC (B1)/RS(B1)/R(B1), G2 R/RS/RSC/ULT (A1)/LEVEL 4PISTON
5	11.5018.008.024	DISC BRAKE CALIPER ASSEMBLY - (ASSEMBLED, NO HOSE) ARTIC GREY - GUIDE ULTIMATE
5	11.5018.008.025	DISC BRAKE CALIPER ASSEMBLY - (ASSEMBLED, NO HOSE) BLACK - GUIDE ULTIMATE
<b>BRAKE PADS</b>		
6	00.5318.003.003	DISC BRAKE PADS - MEDIUM ORGANIC/ALUMINUM (QUIET/LIGHT) - TRAIL/GUIDE/G2/LEVEL 4PISTON
6	00.5318.003.004	DISC BRAKE PADS - MEDIUM ORGANIC/STEEL (QUIET) - TRAIL/GUIDE/G2/LEVEL 4PISTON
6	00.5318.003.005	DISC BRAKE PADS - MEDIUM SINTERED/STEEL (HEAVY DUTY) - TRAIL/GUIDE/G2/LEVEL 4PISTON
<b>HYDRAULIC LINES &amp; FITTING</b>		
7	00.5318.038.000	Disc Brake Hydraulic Hose Kit - Silver Banjo -2000mmBlk (inc. banjo, fittings) - XX, Juicy5/7/, Guide R/RS/RSC/Ult (B1), Guide T(A1), G2 RSC/ULT, Level 4Piston ULT/SLV(C1), MAVEN ULT/SLV (A1)
ns	11.5309.766.000	DISC BRAKE COMPRESSION HOSE NUT - (QTY 5)
ns	11.5378.803.004	DISC BRAKE HOSE FITTING KIT - (INCLUDES 1 THREADED HOSE BARB, 1 RED COMP FITTING) - AVID & SRAM BRAKES
<b>TOOLS</b>		
8	00.5318.015.001	SRAM TOOL BLEEDING EDGE (WORKS WITH AVID/SRAM PRO BLEED KITS) -S4/MONOBLOCK CALIPERS, GUIDE ULT/RSC/RS/R (B1)/T (A1), LEVEL ULT/SLV/TLM (A1), G2, CODE A1-C1
ns	11.5018.059.002	DISC BRAKE BLEED BLOCK - (USED FOR BLEEDING BRAKES) - UNIVERSAL - FITS SMALL, MEDIUM, AND LARGE CALIPERS
ns	00.5318.035.000	SRAM Tool Ultimate Piston Press (evenly pushes pistons back for pad replacement and bleeding) - fits Small, Medium, and Large Calipers

# G2 ULTIMATE - HYDRAULIC DISC BRAKE - A1/A2 (2020-2023)

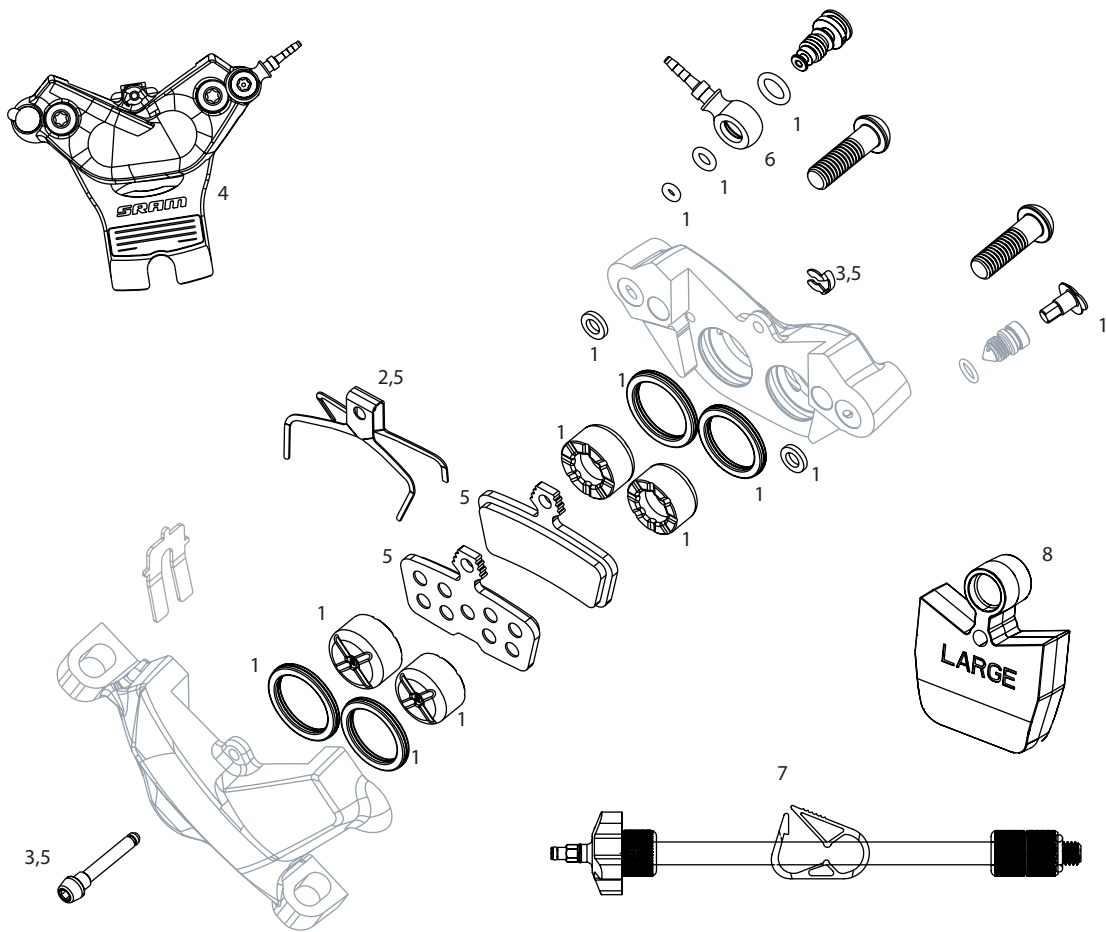
DB-G2-ULT-A1 / DB-G2-ULT-A2



	CALIPER SPARES	
1	11.5018.020.006	DISC BRAKE CALIPER PISTON KIT - (INCLUDES 2-16MM & 2-14MM CALIPER PISTONS, SEALS & O-RINGS) - GUIDE R, RS, RSC(A1-B1), G2 RSC/ULT (A1)/G2 R/RS (A1)
2	11.5018.033.000	DISC BRAKE PAD PIN KIT - STAINLESS STEEL (QTY 2) S4 CALIPER CODE/GUIDE ULT/RSC (B1)/RS(B1)/R(B1), G2 R/RS/RSC/ULT (A1)/LEVEL 4PISTON
3	11.5018.057.000	DISC BRAKE CALIPER HARDWARE KIT - (INCLUDES STAINLESS BODY BOLT, BANJO BOLT, SINGLE PORT BLEED SCREW, PAD PIN) S4 CALIPER -G2 RSC/ULT/LEVEL 4PISTON
3	00.5318.029.000	Disc Brake Caliper Hardware Upgrade Kit - Rainbow (includes CPS mounting bolts, banjo bolt, H-Spring, pad pin) to upgrade QTY 2 calipers, G2 ULT/RSC
4	11.5018.056.011	DISC BRAKE CALIPER ASSEMBLY - (ASSEMBLED, NO HOSE) POLAR GREY ANO- G2 ULT (A2)
4	11.5018.056.009	DISC BRAKE CALIPER ASSEMBLY - (ASSEMBLED, NO HOSE) GLOSS BLACK ANO- G2 ULT (A2)
4	11.5018.056.000	DISC BRAKE CALIPER ASSEMBLY - (ASSEMBLED, NO HOSE) LUNAR GREY - G2 ULTIMATE
4	11.5018.056.006	DISC BRAKE CALIPER ASSEMBLY - (ASSEMBLED, NO HOSE) GLOSS BLACK - G2 ULTIMATE
4	11.5018.056.010	DISC BRAKE CALIPER ASSEMBLY - (ASSEMBLED, NO HOSE) GLOSS BLACK RAINBOW ANO- G2 ULT (A2)
9	11.5018.006.000	DISC BRAKE PAD H-SPRING - (QTY 2) - XO TRAIL, GUIDE S4/ULT, G2 R/RS/RSC/ULT/LEVEL 4PISTON
	BRAKE PADS	
5	00.5318.003.003	DISC BRAKE PADS - MEDIUM ORGANIC/ALUMINUM (QUIET/LIGHT) - TRAIL/GUIDE/G2/LEVEL 4PISTON
5	00.5318.003.004	DISC BRAKE PADS - MEDIUM ORGANIC/STEEL (QUIET) - TRAIL/GUIDE/G2/LEVEL 4PISTON
5	00.5318.003.005	DISC BRAKE PADS - MEDIUM SINTERED/STEEL (HEAVY DUTY) - TRAIL/GUIDE/G2/LEVEL 4PISTON
5	00.5318.003.006	DISC BRAKE PADS - MEDIUM ORGANIC/STEEL (POWERFUL) - TRAIL/GUIDE/G2/LEVEL 4PISTON - OE MTB Pad
	HYDRAULIC LINES & FITTING	
6	00.5318.038.000	Disc Brake Hydraulic Hose Kit - Silver Banjo -2000mmBlk (inc. banjo, fittings) - XX,Juicy5/7/,Guide R/RS/RSC/Ult (B1),Guide T(A1),G2 RSC/ULT,Level 4Piston ULT/SLV(C1), MAVEN ULT/SLV (A1)
ns	11.5309.766.000	DISC BRAKE COMPRESSION HOSE NUT - (QTY 5)
ns	11.5378.803.004	DISC BRAKE HOSE FITTING KIT - (INCLUDES 1 THREADED HOSE BARB, 1 RED COMP FITTING) - AVID & SRAM BRAKES
	TOOLS	
7	00.5318.015.001	SRAM TOOL BLEEDING EDGE (WORKS WITH AVID/SRAM PRO BLEED KITS) -S4/MONOBLOCK CALIPERS, GUIDE ULT/RSC/RS/R (B1)/T (A1),LEVEL ULT/SLV/TLM (A1),G2,CODE A1-C1
8	11.5018.059.000	DISC BRAKE BLEED BLOCK - MEDIUM - G2 R/RS/RSC/ULT A1+/LEVEL 4PISTON
ns	11.5018.059.002	DISC BRAKE BLEED BLOCK - (USED FOR BLEEDING BRAKES) - UNIVERSAL - FITS SMALL, MEDIUM, AND LARGE CALIPERS
ns	00.5318.035.000	SRAM Tool Ultimate Piston Press (evenly pushes pistons back for pad replacement and bleeding) - fits Small, Medium, and Large Calipers

# CODE R- HYDRAULIC DISC BRAKE - CALIPERS B1 (2018-2023)

DB-CODE-R-B1



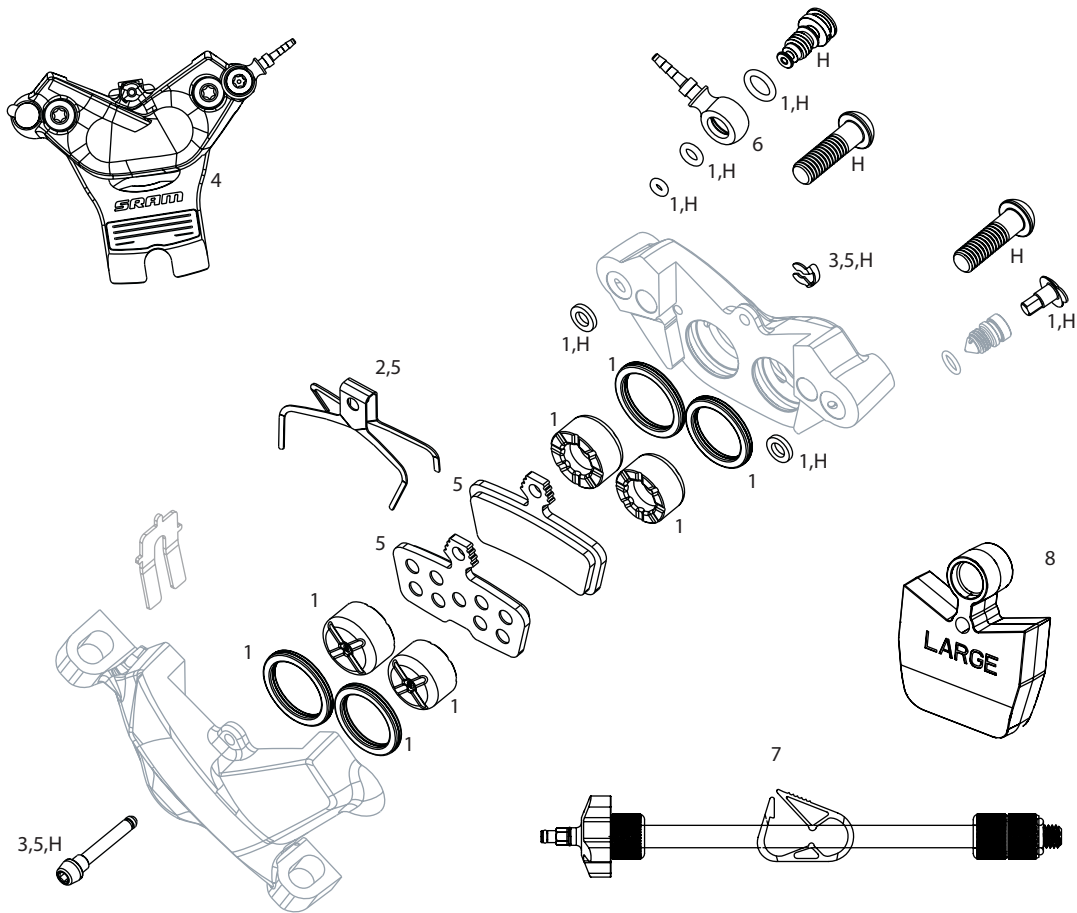
**NOTES:**

1. See lever pages for exploded view of Hydraulic Line kits
2. SRAM Tool Bleeding Edge needed to bleed Code brakes

NO.	PART NUMBER	DESCRIPTION
<b>CALIPER SPARES</b>		
1	11.5018.020.007	DISC BRAKE CALIPER PISTON KIT - (INCLUDES 2-16MM, 2-15MM CALIPER PISTONS, SEALS, O-RINGS) - CODE RSC/RS(A1)/R(B1)/ULT/SIL/BRZ (C1)
2	11.5015.068.050	DISC BRAKE PAD H-SPRING - (QTY 2) - CODE (2011-2017)/GUIDE RE
3	11.5015.036.040	DISC BRAKE PAD PIN KIT - BLACK, STEEL (QTY 2) - ELIXIR/CODE/GUIDE R,RS,RSC
4	11.5018.008.037	DISC BRAKE CALIPER ASSEMBLY - (ASSEMBLED, NO HOSE) BLACK - CODE R B1/CODE RS A1
4	11.5018.008.036	DISC BRAKE CALIPER ASSEMBLY - (ASSEMBLED, NO HOSE) DARK GREY - CODE R B1
<b>BRAKE PADS</b>		
5	00.5315.023.010	DISC BRAKE PADS - LARGE SINTERED/STEEL (HEAVY DUTY) - CODE 2011+/ GUIDE RE/G2 RE/DB8
5	00.5315.023.020	DISC BRAKE PADS - LARGE ORGANIC/ALUMINUM (QUIET/LIGHT) - CODE 2011+/ GUIDE RE/G2 RE/DB8
5	00.5315.023.030	DISC BRAKE PADS - LARGE ORGANIC/STEEL (QUIET) - CODE 2011+/ GUIDE RE/G2 RE/DB8
<b>HYDRAULIC LINES &amp; FITTING</b>		
ns	11.5309.766.000	DISC BRAKE COMPRESSION HOSE NUT - (QTY 5)
ns	11.5378.803.004	DISC BRAKE HOSE FITTING KIT - (INCLUDES 1 THREADED HOSE BARB, 1 RED COMP FITTING) - AVID & SRAM BRAKES
6	00.5318.039.000	DISC BRAKE HYDRAULIC HOSE KIT - BLACK BANJO -2000MMBLK(INC. BANJO, FITTINGS) - LEVEL ULT,LEVEL TLM (A1), CODE R/RSC (B1),RED ETAP HRD,S900 MONOBLOCK
<b>TOOLS</b>		
7	00.5318.015.001	SRAM TOOL BLEEDING EDGE (WORKS WITH AVID/SRAM PRO BLEED KITS) -S4/MONOBLOCK CALIPERS, GUIDE ULTIMATE/RSC/RS/R (B1)/T (A1)/LEVEL ULT/ TLM (A1)/G2 ULT/RSC/RS (A1)
8	11.5015.014.090	DISC BRAKE BLEED BLOCK - LARGE - CODE RSC/R B1
ns	11.5018.059.002	DISC BRAKE BLEED BLOCK - (USED FOR BLEEDING BRAKES) - UNIVERSAL - FITS SMALL, MEDIUM, AND LARGE CALIPERS
ns	00.5318.035.000	SRAM Tool Ultimate Piston Press (evenly pushes pistons back for pad replacement and bleeding) - fits Small, Medium, and Large Calipers

# CODE RS/RSC - HYDRAULIC DISC BRAKE - CALIPERS A1(2018-2023)

DB-CODE-RS-A1 / DB-CODE-RSC-A1



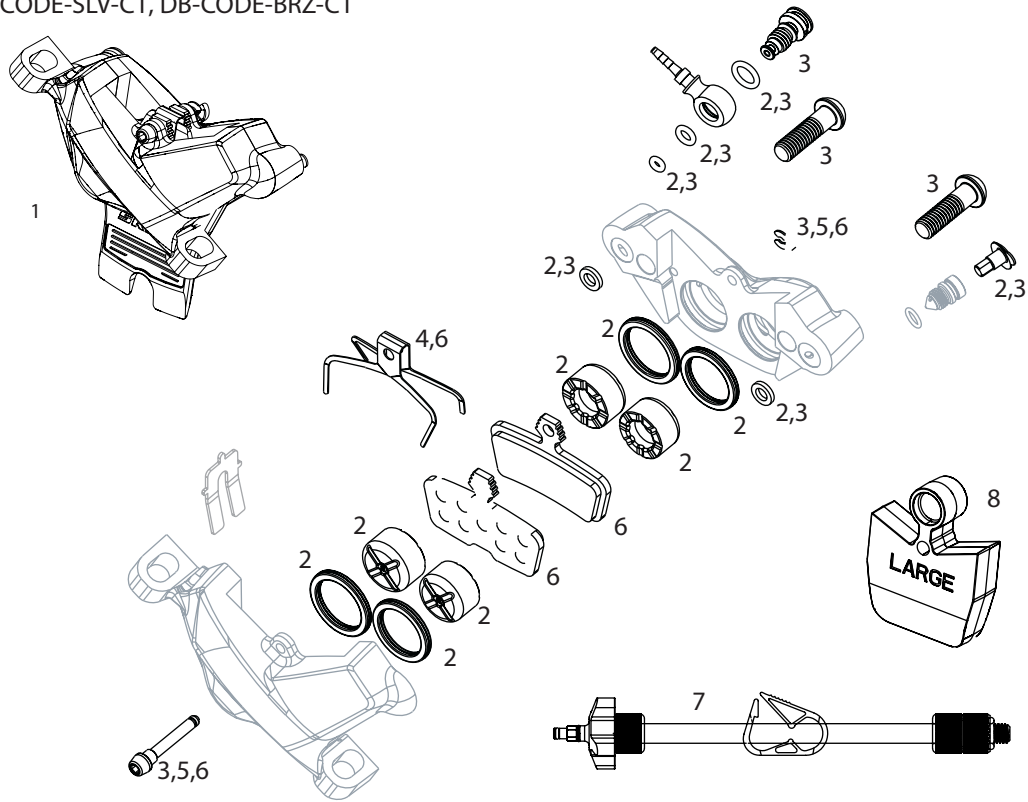
**NOTES:**

- 1. See lever pages for exploded view of Hydraulic Line kits
- 2. SRAM Tool Bleeding Edge needed to bleed Code brakes

NO	PART NUMBER	
		<b>CALIPER SPARES</b>
1	11.5018.020.007	DISC BRAKE CALIPER PISTON KIT - (INCLUDES 2-16MM, 2-15MM CALIPER PISTONS, SEALS, O-RINGS) - CODE RSC/RS(A1)/R(B1)/ULT/SIL/BRZ (C1)
2	11.5015.068.050	DISC BRAKE PAD H-SPRING - (QTY 2) - CODE (2011-2017)/GUIDE RE
3	11.5018.033.000	DISC BRAKE PAD PIN KIT - STAINLESS STEEL (QTY 2) S4 CALIPER CODE/GUIDE ULT/RSC (B1)/RS(B1)/R(B1), G2 R/RS/RSC/ULT (A1)/LEVEL 4PISTON
4	11.5018.008.035	DISC BRAKE CALIPER ASSEMBLY - (ASSEMBLED, NO HOSE) DARK GREY - CODE R B1
4	11.5018.008.037	DISC BRAKE CALIPER ASSEMBLY - (ASSEMBLED, NO HOSE) BLACK - CODE R B1/CODE RS A1
H	11.5018.057.004	DISC BRAKE CALIPER HARDWARE KIT - (INCLUDES STAINLESS BODY BOLTS, BANJO BOLT, BLEED SCREW, PAD PIN) - CODE RS/RSC(A1)/R(B1), ULT/SIL/BRZ (C1)
		<b>BRAKE PADS</b>
5	00.5315.023.010	DISC BRAKE PADS - LARGE SINTERED/STEEL (HEAVY DUTY) - CODE 2011+/ GUIDE RE/G2 RE/DB8
5	00.5315.023.020	DISC BRAKE PADS - LARGE ORGANIC/ALUMINUM (QUIET/LIGHT) - CODE 2011+/ GUIDE RE/G2 RE/DB8
5	00.5315.023.030	DISC BRAKE PADS - LARGE ORGANIC/STEEL (QUIET) - CODE 2011+/ GUIDE RE/G2 RE/DB8
		<b>HYDRAULIC LINES &amp; FITTING</b>
ns	11.5309.766.000	DISC BRAKE COMPRESSION HOSE NUT - (QTY 5)
ns	11.5378.803.004	DISC BRAKE HOSE FITTING KIT - (INCLUDES 1 THREADED HOSE BARB, 1 RED COMP FITTING) - AVID & SRAM BRAKES
6	00.5318.039.000	Disc Brake Hydraulic Hose Kit - Black Banjo -2000mmBlk(inc. banjo, fittings) - Level ULT/TLM (A1), CODE R/RSC/ULT/SLV/BRZ (B1/C1), Red eTap HRD,S900 Monoblock
		<b>TOOLS</b>
7	00.5318.015.001	SRAM TOOL BLEEDING EDGE (WORKS WITH AVID/SRAM PRO BLEED KITS) -S4/MONOBLOCK CALIPERS,GUIDE ULT/RSC/RS/R (B1)/T (A1),LEVEL ULT/SLV/TLM (A1),G2,CODE A1-C1
8	11.5015.014.090	DISC BRAKE BLEED BLOCK - LARGE - CODE RSC/R B1
ns	11.5018.059.002	DISC BRAKE BLEED BLOCK - (USED FOR BLEEDING BRAKES) - UNIVERSAL - FITS SMALL, MEDIUM, AND LARGE CALIPERS
ns	00.5318.035.000	SRAM Tool Ultimate Piston Press (evenly pushes pistons back for pad replacement and bleeding) - fits Small, Medium, and Large Calipers

# CODE STEALTH ULTIMATE/SILVER/BRONZE - CALIPERS C1(2024+)

DB-CODE-ULT-C1, DB-CODE-SLV-C1, DB-CODE-BRZ-C1



**NOTES:**

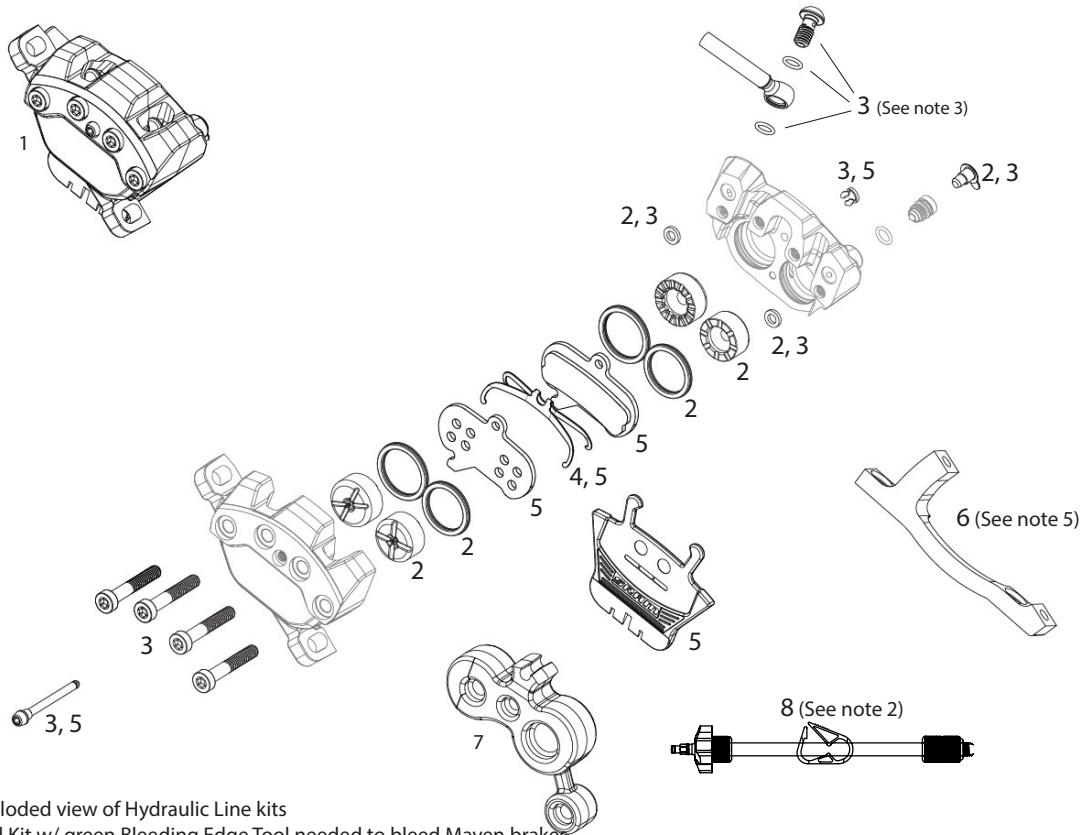
- 1. See lever pages for exploded view of Hydraulic Line kits
- 2. SRAM Tool Bleeding Edge needed to bleed Code brakes

NO	PART NUMBER	DESCRIPTION
1	11.5018.056.015	DISC BRAKE CALIPER ASSEMBLY - (ASSEMBLED, NO HOSE) CLEAR ANODIZED - CODE ULTIMATE STEALTH C1)
1	11.5018.056.016	DISC BRAKE CALIPER ASSEMBLY - (ASSEMBLED, NO HOSE) BLACK ANODIZED - CODE SILVER STEALTH C1)
1	11.5018.056.017	DISC BRAKE CALIPER ASSEMBLY - (ASSEMBLED, NO HOSE) DARK POLAR - CODE BRONZE STEALTH C1)
2	11.5018.020.007	DISC BRAKE CALIPER PISTON KIT - (INCLUDES 2-16MM, 2-15MM CALIPER PISTONS, SEALS, O-RINGS) - CODE RSC/RS(A1)/R(B1)/ULT/SIL/BRZ (C1)
3	11.5018.057.004	DISC BRAKE CALIPER HARDWARE KIT - (INCLUDES STAINLESS BODY BOLTS, BANJO BOLT, BLEED SCREW, PAD PIN) - CODE RSC(A1)/R(B1), ULT/SIL/BRZ (C1)
4	11.5018.006.003	DISC BRAKE PAD H-SPRING - (QTY 2) - CODE (2018+) RSC(A1)/R(B1), ULT/SIL/BRZ (C1)
5	11.5018.033.000	DISC BRAKE PAD PIN KIT - STAINLESS STEEL (QTY 2) S4 CALIPER CODE/GUIDE ULT/RSC (B1)/RS(B1)/R(B1), G2 R/RS/RSC/ULT (A1)/LEVEL 4PISTON
<b>BRAKE PADS</b>		
6	00.5315.023.010	DISC BRAKE PADS - LARGE SINTERED/STEEL (HEAVY DUTY) - CODE 2011+/ GUIDE RE/G2 RE/DB8
6	00.5315.023.020	DISC BRAKE PADS - LARGE ORGANIC/ALUMINUM (QUIET/LIGHT) - CODE 2011+/ GUIDE RE/G2 RE/DB8
6	00.5315.023.030	DISC BRAKE PADS - LARGE ORGANIC/STEEL (QUIET) - CODE 2011+/ GUIDE RE/G2 RE/DB8
<b>HYDRAULIC LINES &amp; FITTINGS</b>		
ns	11.5309.766.000	DISC BRAKE COMPRESSION HOSE NUT - (QTY 5)
ns	11.5378.803.004	DISC BRAKE HOSE FITTING KIT - (INCLUDES 1 THREADED HOSE BARB, 1 RED COMP FITTING) - AVID & SRAM BRAKES
ns	00.5318.039.000	Disc Brake Hydraulic Hose Kit - Black Banjo -2000mmBlk(inc. banjo, fittings) - Level ULT/TLM (A1), CODE R/RSC/ULT/SLV/BRZ (B1/C1), Red eTap HRD,S900 Monoblock
<b>TOOLS</b>		
7	00.5318.015.001	SRAM TOOL BLEEDING EDGE (WORKS WITH AVID/SRAM PRO BLEED KITS) -S4/MONOBLOCK CALIPERS,GUIDE ULT/RSC/RS/R (B1)/T (A1),LEVEL ULT/SLV/TLM (A1),G2,CODE A1-C1
8	11.5015.014.090	DISC BRAKE BLEED BLOCK - LARGE - CODE RSC/R B1
ns	11.5018.059.002	DISC BRAKE BLEED BLOCK - (USED FOR BLEEDING BRAKES) - UNIVERSAL - FITS SMALL, MEDIUM, AND LARGE CALIPERS
<b>BLEED KITS</b>		
ns	00.5318.045.000	STANDARD BRAKE BLEED KIT (INCLUDES 2 SYRINGES/FITTINGS, BLEED BLOCKS, TORX TOOL, CROWFOOT, BLEEDING EDGE FITTING, DOT5.1 HYDRAULIC FLUID) V2 - SRAM X0/ XX/ GUIDE/LEVEL/CODE/HYDROR/G2
ns	00.5318.045.001	STANDARD BRAKE BLEED KIT (INCLUDES 2 SYRINGES/FITTINGS, BLEED BLOCKS, TORX TOOL, CROWFOOT, BLEEDING EDGE FITTING) V2 - SRAM X0/XX/ GUIDE/LEVEL/CODE/HYDROR/G2
ns	00.5318.045.002	PRO BRAKE BLEED KIT (INCLUDES 2 SYRINGES/FITTINGS, BLEED BLOCKS, TORX TOOL, CROWFOOT, BLEEDING EDGE FITTING, DOT 5.1HYDRAULIC FLUID) V2 - SRAM X0/ XX/ GUIDE/LEVEL/CODE/HYDROR/G2
ns	00.5318.045.003	PRO BRAKE BLEED KIT (INCLUDES 2 SYRINGES/FITTINGS, BLEED BLOCKS, TORX TOOL, CROWFOOT, BLEEDING EDGE FITTING) V2 - SRAM X0/ XX/ GUIDE/LEVEL/CODE/HYDROR/G2
ns	00.5318.035.000	SRAM Tool Ultimate Piston Press (evenly pushes pistons back for pad replacement and bleeding) - fits Small, Medium, and Large Calipers



# MAVEN ULTIMATE/SILVER/BRONZE - CALIPERS A1(2025+)

DB-MVN-ULT-A1 , DB-MVN-SLV-A1, DB-MVN-BRZ-A1



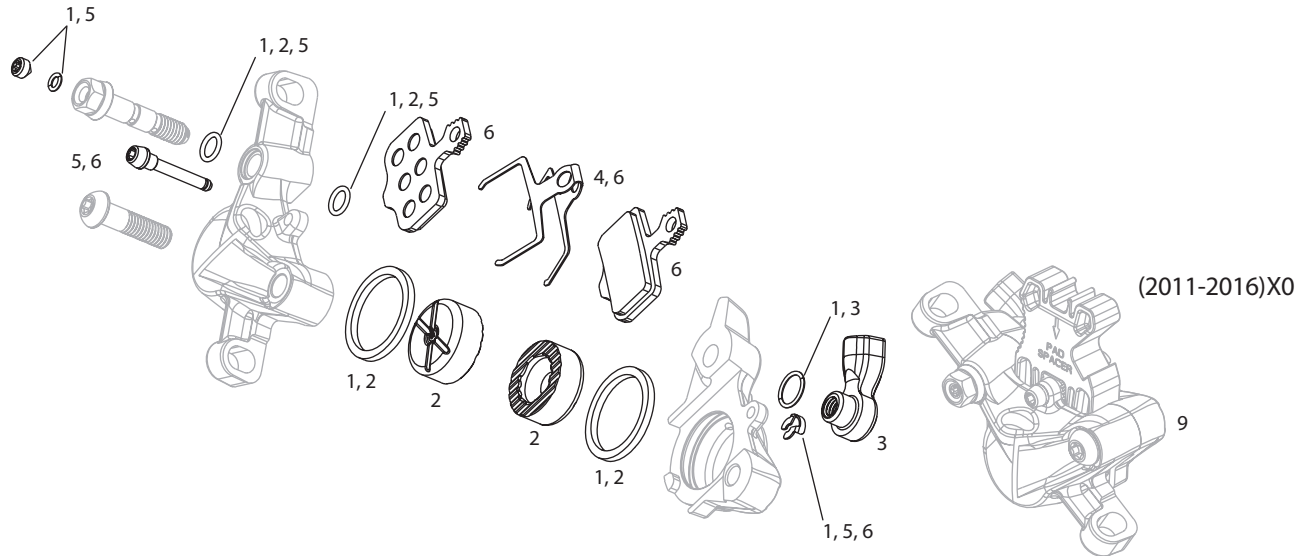
## NOTES:

1. See lever pages for exploded view of Hydraulic Line kits
2. SRAM Mineral Oil Bleed Kit w/ green Bleeding Edge Tool needed to bleed Maven brakes
3. Silver and Ultimate Calipers use a Silver Banjo hose kit, Bronze calipers use a Double Compression hose kit
4. SRAM DOT Assembly Grease is also compatible with SRAM Mineral Oil brakes.
5. Standard 20P adapters will NOT work with Maven Calipers. 20P-1 or 20P-2 adapters are required.

NO	PART NUMBER	DESCRIPTION
		<b>CALIPER SPARES</b>
1	11.5018.056.024	DISC BRAKE CALIPER ASSEMBLY - (ASSEMBLED, NO HOSE) BLACK/SILVER - MAVEN ULTIMATE (A1)
1	11.5018.056.026	DISC BRAKE CALIPER ASSEMBLY - (ASSEMBLED, NO HOSE) BLACK - MAVEN SILVER (A1)
1	11.5018.056.025	DISC BRAKE CALIPER ASSEMBLY - (ASSEMBLED, NO HOSE) DARK POLAR - MAVEN BRONZE (A1)
2	11.5018.058.001	DISC BRAKE CALIPER PISTON KIT - (INCLUDES 2-19.5MM, 2-18MM CALIPER PISTONS, SEALS, O-RINGS) - MAVEN ULT/SLV/BRZ (A1)
3	11.5018.057.005	DISC BRAKE CALIPER HARDWARE KIT - (INCLUDES STAINLESS BODY BOLTS AND SEALS, BANJO BOLT AND SEALS, PAD PIN AND CLIP) - MAVEN ULT/SLV/BRZ (A1)
4	11.5018.006.004	DISC BRAKE PAD H-SPRING - X-LARGE - (QTY 2) - MAVEN 2024+
4	11.5018.006.005	DISC BRAKE PAD H-SPRING - X-LARGE - (QTY 20) - MAVEN 2024+
		<b>BRAKE PADS</b>
5	00.5315.023.031	DISC BRAKE PADS - X-LARGE ORGANIC/STEEL (QUIET) - MAVEN 2024+
5	00.5315.023.032	DISC BRAKE PADS - X-LARGE SINTERED/STEEL (HEAVY DUTY) - MAVEN 2024+
5	11.5018.063.001	DISC BRAKE PADS - X-LARGE ORGANIC/STEEL (20 SETS) - MAVEN 2024+
5	11.5018.063.002	DISC BRAKE PADS - X-LARGE SINTERED/STEEL (20 SETS) - MAVEN 2024+
		<b>MOUNTING BRACKETS</b>
6	00.5318.007.009	POST BRACKET - 20 P 1 (FOR USE WITH 160MM AND 180MM ROTORS ONLY) (140 to 160 OR 160 to 180), INCLUDES STAINLESS BRACKET MOUNTING BOLTS
6	00.5318.007.010	POST BRACKET - 20 P 2 (FOR USE WITH 200MM AND 220MM ROTORS ONLY) (180 to 200 OR 200 to 220), INCLUDES STAINLESS BRACKET MOUNTING BOLTS
		<b>TOOLS</b>
7	11.5018.059.003	DISC BRAKE BLEED BLOCK - X-LARGE - MAVEN 2024+
		<b>BLEED KITS</b>
ns	00.5318.031.004	Pro Mineral Oil Bleed Kit (includes 2 Premium Syringes, M4 fittings, bleed blocks, Torx tool, crowfoot, Bleeding Edge Fitting, Maxima Mineral Oil) - DB8, MAVEN
ns	00.5318.031.005	Pro Mineral Oil Bleed Kit (includes 2 Premium Syringes, M4 fittings, bleed blocks, Torx tool, crowfoot, Bleeding Edge Fitting) - DB8, MAVEN
ns	00.5318.031.006	Standard Mineral Oil Bleed Kit (includes 2 Standard Syringes, M4 fittings, bleed blocks, Torx tool, crowfoot, Bleeding Edge Fitting, Maxima Mineral Oil) - DB8, MAVEN
ns	00.5318.031.007	Standard Mineral Oil Bleed Kit (includes 2 Standard Syringes, M4 fittings, bleed blocks, Torx tool, crowfoot, Bleeding Edge Fitting) - DB8, MAVEN
8	00.5318.031.008	BLEEDING EDGE FITTING (WORKS WITH V1 AND STANDARD V2 MINERAL BRAKE BLEED KITS) - MINERAL BRAKES WITH BLEEDING EDGE CALIPER FITTING, MAVEN

# X0 - HYDRAULIC DISC BRAKE - CALIPERS (2011-2016)

DB-X0-B1



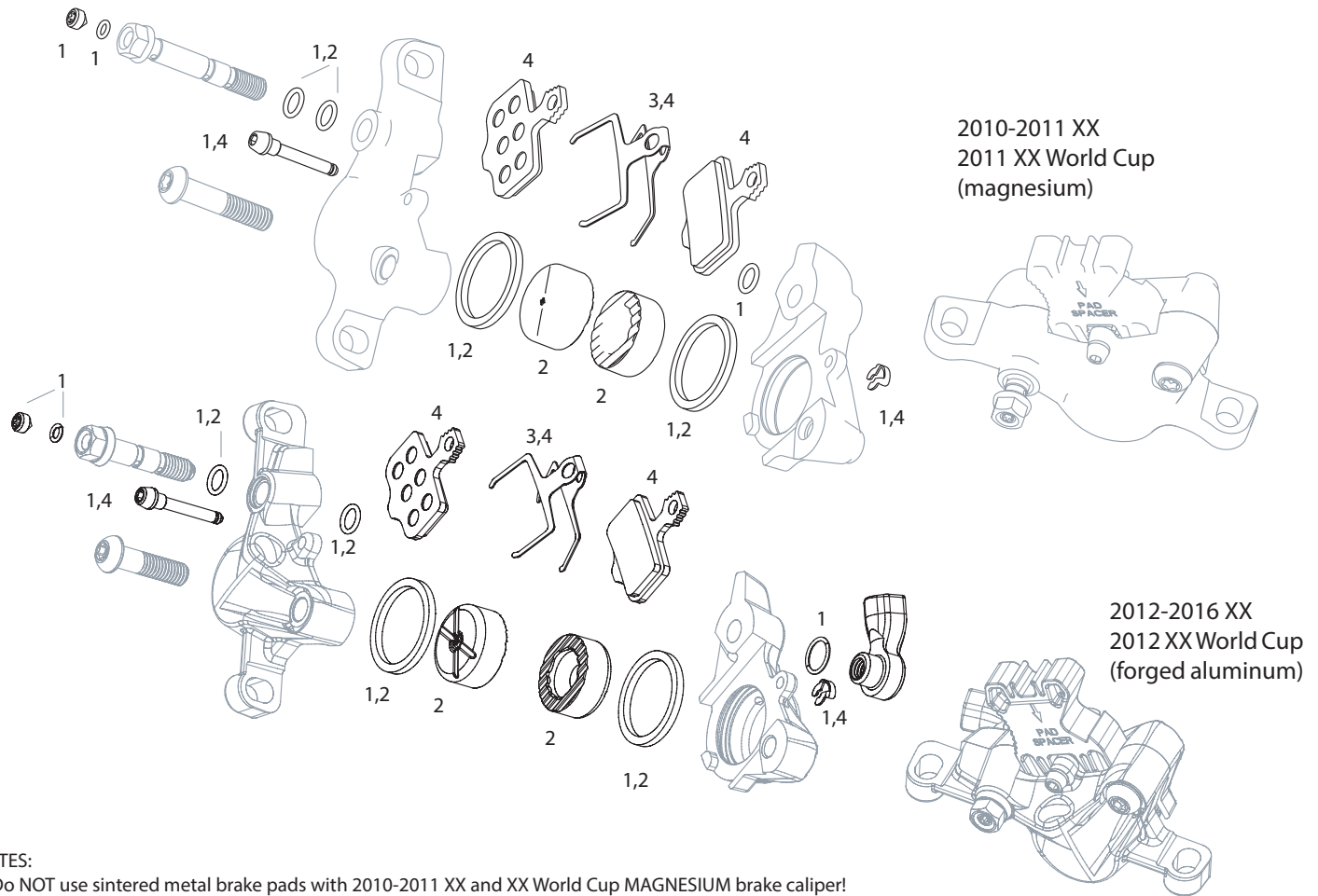
**NOTES:**

1. See lever pages for exploded view of Hydraulic Line kits

NO.	PART NUMBER	
		<b>CALIPER SPARES</b>
1	11.5015.031.000	DISC BRAKE CALIPER KIT - (INCLUDES PISTONS, SEALS & BLEED SCREWS) - ELIXIR
2	11.5015.032.000	DISC BRAKE CALIPER PISTON KIT - (INCLUDES 2-21MM CALIPER PISTONS & SEALS) - ELIXIR
3	11.5015.060.020	DISC BRAKE CALIPER BANJO KIT - BLACK (QTY 1) -ELIXIR R/CR/CR MAG/X0/ELIXIR 9/ELIXIR 7/GUIDE R,RS,RSC
4	11.5015.035.000	DISC BRAKE PAD H-SPRING - (QTY 2) - ELIXIR/DB/LEVEL B1+2PISTON/FORCE-RIVAL ETAP AXS
5	11.5015.036.000	DISC BRAKE PAD PIN KIT - BLACK (QTY 2) - ELIXIR/CODE/GUIDE R,RE,RS,RSC
		<b>BRAKE PADS</b>
6	00.5315.035.010	DISC BRAKE PADS - SMALL SINTERED/STEEL (HEAVY DUTY) - 2 PIECE ROAD/ELIXIR/DB/LEVEL B1 (2020+)
6	00.5315.035.020	DISC BRAKE PADS - SMALL ORGANIC/ALUMINUM (QUIET/LIGHT) - 2 PIECE ROAD/ELIXIR/DB/LEVEL B1 (2020+)
		<b>HYDRAULIC LINES &amp; FITTING</b>
ns	00.5318.037.000	Disc Brake Hydraulic Hose Kit - Threaded Inline Crimp -2000mmBlk (inc. crimp, fittings) - Elixir 5/7/9/R/CR/X0,Guide RSC (A1),Guide R/RS (A1),DB5,Level TL/BRZ 2P
ns	11.5309.766.000	DISC BRAKE COMPRESSION HOSE NUT - (QTY 5)
ns	11.5378.803.004	DISC BRAKE HOSE FITTING KIT - (INCLUDES 1 THREADED HOSE BARB, 1 RED COMP FITTING) - AVID & SRAM BRAKES
		<b>TOOLS</b>
ns	11.5018.059.002	DISC BRAKE BLEED BLOCK - (USED FOR BLEEDING BRAKES) - UNIVERSAL - FITS SMALL, MEDIUM, AND LARGE CALIPERS
ns	00.5318.035.000	SRAM Tool Ultimate Piston Press (evenly pushes pistons back for pad replacement and bleeding) - fits Small, Medium, and Large Calipers

# XX / XX WORLD CUP - HYDRAULIC DISC BRAKE - CALIPERS (2010-2016)

DB-XX-A2 / DB-XX-WC-A1



**NOTES:**

- 1. Do NOT use sintered metal brake pads with 2010-2011 XX and XX World Cup MAGNESIUM brake caliper!
- 2. See lever pages for exploded view of Hydraulic Line kits

NO.	PART NUMBER	
	<b>CALIPER SPARES</b>	
1	11.5015.031.000	DISC BRAKE CALIPER KIT - (INCLUDES PISTONS, SEALS & BLEED SCREWS) - ELIXIR
2	11.5015.032.000	DISC BRAKE CALIPER PISTON KIT - (INCLUDES 2-21mm CALIPER PISTONS & SEALS) - ELIXIR
3	11.5015.035.000	DISC BRAKE PAD H-SPRING - (QTY 2) - ELIXIR/DB/LEVEL B1+2PISTON/FORCE-RIVAL ETAP AXS
	<b>BRAKE PADS</b>	
4	00.5315.035.020	DISC BRAKE PADS - SMALL ORGANIC/ALUMINUM (QUIET/LIGHT) - 2 PIECE ROAD/ELIXIR/DB/LEVEL B1 (2020+)
	<b>TOOLS</b>	
ns	11.5018.059.002	DISC BRAKE BLEED BLOCK - (USED FOR BLEEDING BRAKES) - UNIVERSAL - FITS SMALL, MEDIUM, AND LARGE CALIPERS
ns	00.5318.035.000	SRAM Tool Ultimate Piston Press (evenly pushes pistons back for pad replacement and bleeding) - fits Small, Medium, and Large Calipers

## AVID LEGACY BRAKE SPARES OVERVIEW - PAGE 1 OF 2

PART NUMBER DESCRIPTION

### SINGLE DIGIT RIM BRAKES

11.5362.100.800 RIM BRAKE NOODLE/OVERCOAT - 90  
11.5362.200.500 RIM BRAKE NOODLE/OVERCOAT - 110  
11.5362.300.200 RIM BRAKE NOODLE/OVERCOAT - 135  
11.5362.402.300 RIM BRAKE OVERCOAT - (BOOT ONLY) (QTY 2)  
11.5319.201.000 RIM BRAKE PADS - BULK (50 PAIR PER BOX)- 20 R  
11.5337.100.200 RIM BRAKE PADS RIM WRANGLER 2 INSERTS STANDARD (1 SET)

### SHORTY RIM BRAKES

00.5315.015.000 SHORTY (ROAD) CROSS BRAKE PAD & CARTRIDGE HOLDER (1 SET)  
00.5315.015.010 SHORTY (ROAD) CROSS BRAKE PAD INSERTS (1 SET)  
11.5319.102.000 RIM BRAKE PADS 20 R PADS STANDARD (1 SET)  
11.5115.007.010 RIM BRAKE STRADDLE WIRE - B - SHORTY 2009-2016  
11.5115.007.020 RIM BRAKE STRADDLE WIRE - D - SHORTY 2009-2016  
11.5115.008.010 RIM BRAKE ARM SPRING KIT - (L/R) BLACK - SHORTY ULTIMATE  
11.5115.009.010 RIM BRAKE CABLE ANCHOR & BOLT - BLACK - SHORTY ULTIMATE  
11.5115.010.010 RIM BRAKE BARREL ADJUSTER & BARREL - BLACK - SHORTY ULTIMATE  
11.5115.011.010 RIM BRAKE CABLE YOKE - SHORTY ULTIMATE  
00.5115.044.010 SHORTY ULTIMATE (ROAD) CROSS BRAKE PAD & CARTRIDGE HOLDER (1 SET)  
00.5115.044.020 SHORTY ULTIMATE (ROAD) CARBON CROSS BRAKE PAD & CARTRIDGE HOLDER, 25.5MM WIDTH (ZIPP 303) (1 SET)  
11.5115.000.000 BRAKE PAD INSERT SRAM ROAD BLACK ALU RIM QTY 2

### RIM BRAKE LEVER

11.5215.029.010 RIM BRAKE BARREL ADJUSTER - (QTY 2) - FR5/SD7 LEVER

### BB 5/7 CALIPER

11.5369.300.500 DISC BRAKE PADS - AVID BB5 ORGANIC/STEEL (QUIET) - BB5  
11.5311.619.010 DISC BRAKE CALIPER PAD ADJUSTER KNOB KIT - BB7 2008-2016  
11.5311.621.000 DISC BRAKE CALIPER CABLE BOOT KIT - BB7  
11.5015.009.000 DISC BRAKE PAD RETAINER - (QTY 2) - BB7/ JUICY  
11.5369.207.700 DISC BRAKE PADS - AVID BB7/JUICYS SINTERED/STEEL (HEAVY DUTY) - JUICYS/BB7  
11.5012.949.000 DISC BRAKE PADS - AVID BB7/JUICYS ORGANIC/STEEL (QUIET) - JUICYS/BB7  
00.5315.001.020 DISC BRAKE PADS - AVID BB7/JUICYS ORGANIC/ALUMINUM (QUIET/LIGHT) - JUICYS/ BB7  
11.5015.003.000 DISC BRAKE CALIPER BARREL ADJUSTER - INLINE - BB7 ROAD

### JUICY BRAKE LEVER

00.5318.038.000 DISC BRAKE HYDRAULIC HOSE KIT - SILVER BANJO -2000MMBLK (INC. BANJO, FITTINGS) - XX,JUICY5/7/,GUIDE R/RS/RSC/ULT (B1),  
GUIDE T(A1),G2 RSC/ULT, MAVEN ULT/SLV (A1)  
11.5309.766.000 DISC BRAKE COMPRESSION HOSE NUT - (QTY 5)  
11.5378.803.002 DISC BRAKE HOSE FITTING KIT - (INCLUDES 5 THREADED HOSE BARBS, 5 RED COMP FITTINGS, 1 T8 TORX) - AVID & SRAM BRAKES  
11.5378.803.003 DISC BRAKE HOSE FITTING KIT - (INCLUDES 50 THREADED HOSE BARBS, 50 RED COMP FITTINGS, 1 T8TORX) - AVID & SRAM BRAKES

### E9/X0 TRAIL CALIPER

11.5018.007.002 DISC BRAKE CALIPER KIT - (INCLUDES PISTONS, SEALS, GUIDE PIN, BANJO & BOLTS) - ELIXIR X0/9 TRAIL A1

### X0 TRAIL BRAKE LEVER

11.5018.005.001 DISC BRAKE LEVER INTERNALS/SERVICE KIT - (INCLUDES PISTON ASSEMBLY, BLADDER & SPRING) - X0 TRAIL A2

### JUICY CALIPER

11.5015.009.000 DISC BRAKE PAD RETAINER - (QTY 2) - BB7/ JUICY

## AVID LEGACY BRAKE SPARES OVERVIEW - PAGE 2 OF 2

PART NUMBER	DESCRIPTION
<b><u>ELIXIR BRAKE LEVER</u></b>	
11.5015.021.130	DISC BRAKE LEVER BLADE KIT - TUNGSTEN BLACK (INCLUDES BLADE & BUSHINGS) - ELIXIR 1
11.5015.021.120	DISC BRAKE LEVER BLADE KIT - TUNGSTEN BLACK (INCLUDES BLADE) - ELIXIR 3
11.5015.029.030	DISC BRAKE LEVER CLAMP - SPLIT CLAMP BLACK (INCLUDES CLAMP & BOLTS) - ELIXIR 5/3,DB 3/1/LEVEL T/GUIDE T
11.5309.766.000	DISC BRAKE COMPRESSION HOSE NUT - (QTY 5)
11.5378.803.002	DISC BRAKE HOSE FITTING KIT - (INCLUDES 5 THREADED HOSE BARBS, 5 RED COMP FITTINGS, 1 T8 TORX) - AVID & SRAM BRAKES
11.5378.803.003	DISC BRAKE HOSE FITTING KIT - (INCLUDES 50 THREADED HOSE BARBS, 50 RED COMP FITTINGS, 1 T8TORX) - AVID & SRAM BRAKES
11.5015.021.050	DISC BRAKE LEVER BLADE KIT - TUNGSTEN BLACK (INCLUDES BLADE, PUSHROD & DOWEL) - ELIXIR 5
11.5315.048.050	DISC BRAKE LEVER CLAMP - (MMX) SILVER (STAINLESS STEEL BOLT T25) - G2 (A1), GUIDE (A1-B1), LEVEL ULT/TLM/TL, CODE RSC/R, DB5 ELIXIR 9/7/ CR MAG/X0/ XX, QTY 1
11.5315.048.070	DISC BRAKE LEVER CLAMP - (MMX) BLACK (STAINLESS STEEL BOLT T25) - G2 (A1), GUIDE (A1-B1), LEVEL ULT/TLM/TL, CODE RSC/R, DB5 ELIXIR 9/7/ CR MAG/X0/ XX, QTY 1
11.5315.048.080	DISC BRAKE LEVER CLAMP - (MMX) BLACK (TI BOLT T25) - G2 (A1), GUIDE (A1-B1), LEVEL ULT/TLM/TL, CODE RSC/R, DB5 ELIXIR 9/7/ CR MAG/X0/ XX, QTY 1
11.5315.048.010	DISC BRAKE LEVER CLAMP - (DISCRETE) BLACK (STAINLESS STEEL BOLT T25)-GUIDE ULT/RSC/RS/RE/R, LEVEL ULT/TLM/TL, CODE RSC/R, DB5 ELIXIR 9/7/ CR MAG/X0/ XX, QTY 1
11.5315.048.090	DISC BRAKE LEVER CLAMP - (DISCRETE) BLACK (TI BOLT T25) - GUIDE ULT/RSC/RS/RE/R, LEVEL ULT/TLM/TL, CODE RSC/R, DB5 ELIXIR 9/7/ CR MAG/X0/ XX, QTY 1
11.5015.029.010	DISC BRAKE LEVER CLAMP - SPLIT CLAMP ONYX (INCLUDES CLAMP & BOLTS) - ELIXIR
11.5015.021.190	DISC BRAKE LEVER BLADE KIT - ALUMINUM BLACK (INCLUDES BLADE, PIN & BUSHINGS) - ELIXIR 9, 9 TRAIL, 7, 7 TRAIL, CODE-R
00.5318.037.000	Disc Brake Hydraulic Hose Kit - Threaded Inline Crimp -2000mmBlk (inc. crimp, fittings) - Elixir 5/7/9/R/CR/X0, Guide RSC (A1), Guide R/RS (A1), DB5, Level TL/BRZ 2P
00.5318.036.000	Disc Brake Hydraulic Hose Kit-DoubleCompression 2000mmBlk-CodeR, Elixir1/3, Juicy3, DB 1/3, Level 2P ULT/SLV/TLM/TL/T/4PBZR(B1+), GuideRE, G2RE/RS/R, DB8, Red, Force, Rival(2P)eTapAXS, MAVEN BRZ (A1)
<b><u>ELIXIR CALIPER</u></b>	
11.5015.031.000	DISC BRAKE CALIPER KIT - (INCLUDES PISTONS, SEALS & BLEED SCREWS) - ELIXIR
11.5015.032.000	DISC BRAKE CALIPER PISTON KIT - (INCLUDES 2-21mm CALIPER PISTONS & SEALS) - ELIXIR
00.5315.035.010	DISC BRAKE PADS - SMALL SINTERED/STEEL (HEAVY DUTY) - 2 PIECE ROAD/ELIXIR/DB/LEVEL B1 (2020+)
00.5315.035.020	DISC BRAKE PADS - SMALL ORGANIC/ALUMINUM (QUIET/LIGHT) - 2 PIECE ROAD/ELIXIR/DB/LEVEL B1 (2020+)
11.5018.008.028	DISC BRAKE CALIPER ASSEMBLY - (ASSEMBLED, NO HOSE) BLACK - LEVEL TL
00.5318.037.000	Disc Brake Hydraulic Hose Kit - Threaded Inline Crimp -2000mmBlk (inc. crimp, fittings) - Elixir 5/7/9/R/CR/X0, Guide RSC (A1), Guide R/RS (A1), DB5, Level TL/BRZ 2P
11.5015.060.020	DISC BRAKE CALIPER BANJO KIT - BLACK (QTY 1) - ELIXIR R/CR/CR MAG/X0/ELIXIR 9/ELIXIR 7/GUIDE R,RS,RSC
11.5015.035.000	DISC BRAKE PAD H-SPRING - (QTY 2) - ELIXIR/DB/LEVEL B1+2PISTON/FORCE-RIVAL ETAP AXS
11.5015.036.000	DISC BRAKE PAD PIN KIT - BLACK (QTY 2) - ELIXIR/CODE/GUIDE R,RE,RS,RSC
<b><u>E7/X0 TRAIL CALIPER</u></b>	
11.5018.007.002	DISC BRAKE SPARE PARTS CALIPER PARTS KIT ELIXIR X0/9 TRAIL (INCLUDES ALL SMALL PARTS) A1
11.5018.007.003	DISC BRAKE SPARE PARTS CALIPER PARTS KIT ELIXIR 7 TRAIL (INCLUDES ALL SMALL PARTS) A1
<b><u>CODE CALIPER</u></b>	
11.5315.009.000	DISC BRAKE SPARE PARTS CALIPER CODE 2010 BRAKE PAD SPREADER KIT QTY 2

# BRAKE PADS OVERVIEW DISC BRAKES

## ORGANIC BRAKE PADS

- + QUIETER
- + SHORTER BED IN PERIOD
- + MORE INITIAL BITE

- WEAR QUICKER
- NOT AS GOOD IN WET / MUDDY CONDITIONS

RUN ORGANIC PADS IF:  
CONDITIONS ARE DRY  
YOU LIKE LOTS OF INITIAL GRAB-RIDING

## SINTERED BRAKE PADS

- + FADE AT A HIGHER TEMPERATURE THAN ORGANIC PADS
- + BETTER PERFORMANCE IN WET CONDITIONS

- LOUDER
- LONGER BED IN TIME
- NOT AS MUCH INITIAL BITE

RUN SINTERED PADS IF:  
IN NEED OF HEAVY DUTY BRAKING  
YOU RIDE DOWNHILL  
THE CONDITIONS ARE WET, MUDDY, ETC.



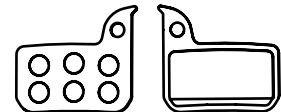
### SRAM MTB CODE/GUIDE RE

00.5315.023.030	DISC BRAKE PADS - LARGE ORGANIC/STEEL (QUIET) - CODE 2011+ / GUIDE RE/G2 RE/DB8
00.5315.023.010	DISC BRAKE PADS - LARGE SINTERED/STEEL (HEAVY DUTY) - CODE 2011+ / GUIDE RE/G2 RE/DB8
00.5315.023.020	DISC BRAKE PADS - LARGE ORGANIC/ALUMINUM (QUIET/LIGHT) - CODE 2011+ / GUIDE RE/G2 RE/DB8
BULK	
11.5015.069.170	DISC BRAKE PADS - SINTERED/STEEL (20 SETS) - CODE 2011-2016
11.5015.069.190	DISC BRAKE PADS - ORGANIC/STEEL (20 SETS) - CODE 2011-2016



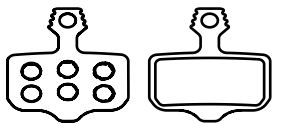
### SRAM MTB G2/GUIDE & AVID TRAIL

00.5318.003.003	DISC BRAKE PADS - MEDIUM ORGANIC/ALUMINUM (QUIET/LIGHT) - TRAIL/GUIDE/G2/LEVEL 4PISTON
00.5318.003.004	DISC BRAKE PADS - MEDIUM ORGANIC/STEEL (QUIET) - TRAIL/GUIDE/G2/LEVEL 4PISTON
00.5318.003.005	DISC BRAKE PADS - MEDIUM SINTERED/STEEL (HEAVY DUTY) - TRAIL/GUIDE/G2/LEVEL 4PISTON
00.5318.003.006	DISC BRAKE PADS - MEDIUM ORGANIC/STEEL (POWERFUL) - TRAIL/GUIDE/G2/LEVEL 4PISTON - OE MTB Pad
11.5015.040.030	DISC BRAKE PADS - SINTERED/STEEL (20 SETS) - GUIDE/TRAIL/G2
11.5015.040.070	DISC BRAKE PADS - ORGANIC/ALUMINUM (20 SETS) - GUIDE/TRAIL/G2



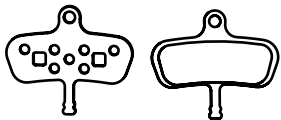
### SRAM ROAD/MTB - MONOBLOCK CALIPER 2017-2019 LEVEL, RED, FORCE, RIVAL

00.5318.010.002	DISC BRAKE PADS - ASYMMETRIC ORGANIC/STEEL (QUIET) - MONOBLOCK - SRAM HYDRAULIC ROAD DISC, LEVEL A1 (2017-2019)
00.5318.010.003	DISC BRAKE PADS - ASYMMETRIC ORGANIC/ALUMINUM (QUIET/LIGHT) - MONOBLOCK - SRAM HYDRAULIC ROAD DISC, LEVEL A1 (2017-2019)
00.5318.010.004	DISC BRAKE PADS - ASYMMETRIC SINTERED/STEEL (HEAVY DUTY) - MONOBLOCK - SRAM HYDRAULIC ROAD DISC, LEVEL A1 (2017-2019)
BULK	
11.5018.037.000	DISC BRAKE PADS - ORGANIC/STEEL (20 SETS) MONOBLOCK - SRAM HYDRAULIC ROAD DISC, LEVEL A1 (2017-2019)
11.5018.037.001	DISC BRAKE PADS - ORGANIC/ALUMINUM (20 SETS) MONOBLOCK - SRAM HYDRAULIC ROAD DISC, LEVEL A1 (2017-2019)
11.5018.037.002	DISC BRAKE PADS - SINTERED/STEEL (20 SETS) - MONOBLOCK - SRAM HYDRAULIC ROAD DISC, LEVEL A1 (2017-2019)



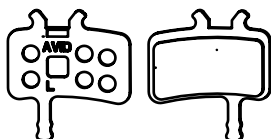
### SRAM ROAD/MTB - 2-PIECE CALIPER LEVEL, RED AXS, FORCE AXS, FORCE, RIVAL

00.5315.035.010	DISC BRAKE PADS - SMALL SINTERED/STEEL (HEAVY DUTY) - 2 PIECE ROAD/ELIXIR/DB/LEVEL B1 (2020+)
00.5315.035.020	DISC BRAKE PADS - SMALL ORGANIC/ALUMINUM (QUIET/LIGHT) - 2 PIECE ROAD/ELIXIR/DB/LEVEL B1 (2020+)
00.5315.035.031	DISC BRAKE PADS - SMALL ORGANIC/STEEL (POWERFUL) - 2 PIECE ROAD/ELIXIR/DB/LEVEL B1 (2020+) - OE MTB Pad
00.5318.024.001	DISC BRAKE PADS - SMALL ORGANIC/STEEL (QUIET) - 2 PIECE ROAD/ELIXIR/DB/LEVEL B1 (2020+) - OE ROAD PAD
BULK	
11.5015.040.071	DISC BRAKE PADS - ORGANIC/STEEL, POWERFUL (20 SETS) - 2 PIECE ROAD/ELIXIR/DB/LEVEL B1 (2020+) - OE MTB Pad



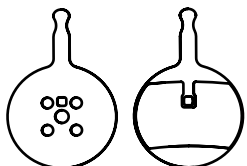
### AVID - CODE 2007-2010

00.5315.007.000	DISC BRAKE PADS - AVID CODE SINTERED/STEEL (HEAVY DUTY) - CODE (2007-2010)
00.5315.001.000	DISC BRAKE PADS - AVID CODE ORGANIC/STEEL (QUIET) - CODE (2007-2010)



### AVID - BB7 / JUICY

11.5012.949.000	DISC BRAKE PADS - AVID BB7/JUICY ORGANIC/STEEL (QUIET) - JUICY/BB7
11.5369.207.700	DISC BRAKE PADS - AVID BB7/JUICY SINTERED/STEEL (HEAVY DUTY) - JUICY/BB7
00.5315.001.020	DISC BRAKE PADS - AVID BB7/JUICY ORGANIC/ALUMINUM (QUIET/LIGHT) - JUICY/BB7
11.5415.015.000	DISC BRAKE PADS - ORGANIC/STEEL - (20 SETS) - JUICY/BB7
11.5415.015.010	DISC BRAKE PADS - STANDARD/STEEL (20 SETS) - JUICY/BB7



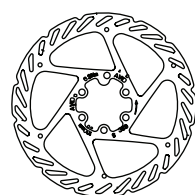
### AVID - BB5

11.5369.300.500	DISC BRAKE PADS - AVID BB5 ORGANIC/STEEL (QUIET) - BB5
-----------------	--

## BRAKE PADS OVERVIEW RIM BRAKES

11.5319.201.000	RIM BRAKE PADS - BULK (50 PAIR PER BOX)- 20 R
00.5115.044.010	SHORTY ULTIMATE (ROAD) CROSS BRAKE PAD & CARTRIDGE HOLDER (1 SET)
00.5115.044.020	SHORTY ULTIMATE (ROAD) CARBON CROSS BRAKE PAD & CARTRIDGE HOLDER, 25.5MM WIDTH (ZIPP 303) (1 SET)
11.5319.102.000	RIM BRAKE PADS 20 R PADS STANDARD (1 SET)
00.5315.016.010	BRAKE PAD/HOLDER APEX PAIR
00.5315.013.030	BRAKE PAD/HOLDER FORCE PAIR
11.5115.000.000	BRAKE PAD INSERT SRAM ROAD BLACK ALU RIM QTY 2
11.5115.000.010	BRAKE PAD INSERT FOR CARBON RIM SRAM ROAD YELLOW QTY 2
00.1915.129.050	ZIPP TANGENTE PLATINUM PRO EVO BRAKE PAD INSERTS FOR CARBON RIMS - SRAM/SHIMANO - 1 PAIR
00.1915.129.060	ZIPP TANGENTE PLATINUM PRO EVO BRAKE PAD INSERTS FOR CARBON RIMS - CAMPAGNOLO - 1 PAIR
00.5315.013.050	BRAKE PAD/HOLDER RED 2012/RED BLACK PAIR
11.5337.100.200	RIM BRAKE PADS RIM WRANGLER 2 INSERTS STANDARD (1 SET)
00.5315.016.000	BRAKE PAD/HOLDER RIVAL BLACK PAIR
00.5315.015.000	SHORTY (ROAD) CROSS BRAKE PAD & CARTRIDGE HOLDER (1 SET)
00.5315.015.010	SHORTY (ROAD) CROSS BRAKE PAD INSERTS (1 SET)

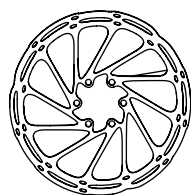
# ROTORS



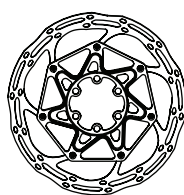
G2



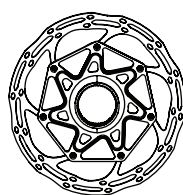
G3



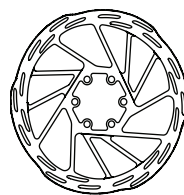
Centerline



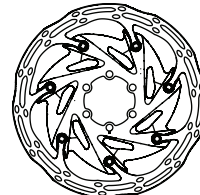
Centerline  
2 piece



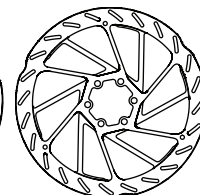
Centerline 2  
piece centerlock



Paceline



Centerline X  
Road



HS2 6-B

- 00.5315.002.000 ROTOR G2 CLEANSWEEP 140MM
- 00.5315.003.000 ROTOR G2 CLEANSWEEP 160MM
- 00.5016.175.120 ROTOR G2 CLEANSWEEP 180MM
- 00.5016.175.130 ROTOR G2 CLEANSWEEP 200MM
- 00.5015.549.030 ROTOR G3 CLEANSWEEP 203MM
  
- 00.5018.037.011 ROTOR CENTERLINE 203MM (INCLUDES STEEL ROTOR BOLTS)
- 00.5018.037.012 ROTOR CENTERLINE 140MM (INCLUDES STEEL ROTOR BOLTS) ROUNDED
- 00.5018.037.013 ROTOR CENTERLINE 160MM (INCLUDES STEEL ROTOR BOLTS) ROUNDED
- 00.5018.037.014 ROTOR CENTERLINE 180MM (INCLUDES STEEL ROTOR BOLTS) ROUNDED
- 00.5018.037.015 ROTOR CENTERLINE 200MM (INCLUDES STEEL ROTOR BOLTS) ROUNDED
- 00.5018.037.031 ROTOR CENTERLINE 220MM (INCLUDES STEEL ROTOR BOLTS)
- 00.5018.037.016 ROTOR CENTERLINE 2 PIECE 140MM BLACK (INCLUDES STEEL ROTOR BOLTS) ROUNDED
- 00.5018.037.017 ROTOR CENTERLINE 2 PIECE 140MM BLACK (INCLUDES TI ROTOR BOLTS) ROUNDED
- 00.5018.037.018 ROTOR CENTERLINE 2 PIECE 160MM BLACK (INCLUDES STEEL ROTOR BOLTS) ROUNDED
- 00.5018.037.019 ROTOR CENTERLINE 2 PIECE 160MM BLACK (INCLUDES TI ROTOR BOLTS) ROUNDED
- 00.5018.037.020 ROTOR CENTERLINE 2 PIECE 180MM BLACK (INCLUDES STEEL ROTOR BOLTS) ROUNDED
- 00.5018.037.021 ROTOR CENTERLINE 2 PIECE 180MM BLACK (INCLUDES TI ROTOR BOLTS) ROUNDED
- 00.5018.037.022 ROTOR CENTERLINE 2 PIECE CENTERLOCK 140MM BLACK ROUNDED
- 00.5018.037.023 ROTOR CENTERLINE 2 PIECE CENTERLOCK 160MM BLACK ROUNDED
- 00.5018.037.024 ROTOR CENTERLINE 2 PIECE CENTERLOCK 180MM BLACK ROUNDED
  
- 00.5018.037.025 ROTOR CENTERLINE CENTERLOCK 160MM BLACK ROUNDED
- 00.5018.037.026 ROTOR CENTERLINE CENTERLOCK 180MM BLACK ROUNDED
- 00.5018.037.027 ROTOR CENTERLINE CENTERLOCK 200MM BLACK ROUNDED
  
- 00.5018.158.000 ROTOR PACELINE 140MM (INCLUDES STEEL ROTOR BOLTS) ROUNDED
- 00.5018.158.001 ROTOR PACELINE 160MM (INCLUDES STEEL ROTOR BOLTS) ROUNDED
  
- 00.5018.158.002 ROTOR PACELINE CENTERLOCK 140MM ROUNDED (DOES NOT INCLUDE LOCKRING)
- 00.5018.158.003 ROTOR PACELINE CENTERLOCK 160MM ROUNDED (DOES NOT INCLUDE LOCKRING)
  
- 00.5018.235.000 Rotor Paceline X CenterLock 140mm Rounded (includes lockring)
- 00.5018.235.001 Rotor Paceline X CenterLock 160mm Rounded (includes lockring)
  
- 00.5018.122.000 ROTOR CENTERLINE X ROAD 2 PIECE 140MM BLACK (INCLUDES STEEL ROTOR BOLTS) ROUNDED
- 00.5018.122.001 ROTOR CENTERLINE X ROAD 2 PIECE 160MM BLACK (INCLUDES STEEL ROTOR BOLTS) ROUNDED
- 00.5018.122.002 ROTOR CENTERLINE X ROAD 2 PIECE CENTERLOCK 140MM BLACK ROUNDED
- 00.5018.122.003 ROTOR CENTERLINE X ROAD 2 PIECE CENTERLOCK 160MM BLACK ROUNDED
  
- 00.5018.176.000 ROTOR HS2 160MM 6-BOLT (INCLUDES STEEL ROTOR BOLTS) ROUNDED
- 00.5018.176.001 ROTOR HS2 180MM 6-BOLT (INCLUDES STEEL ROTOR BOLTS) ROUNDED
- 00.5018.176.002 ROTOR HS2 200MM 6-BOLT (INCLUDES STEEL ROTOR BOLTS) ROUNDED
- 00.5018.176.003 ROTOR HS2 220MM 6-BOLT (INCLUDES STEEL ROTOR BOLTS) ROUNDED
- 00.5018.176.004 ROTOR HS2 160MM CENTER LOCK (INCLUDES LOCKRING) ROUNDED
- 00.5018.176.005 ROTOR HS2 180MM CENTER LOCK (INCLUDES LOCKRING) ROUNDED
- 00.5018.176.006 ROTOR HS2 200MM CENTER LOCK (INCLUDES LOCKRING) ROUNDED
- 00.5018.176.007 ROTOR HS2 220MM CENTER LOCK (INCLUDES LOCKRING) ROUNDED
  
- 11.2018.063.001 HUB CENTERLOCK ROTOR DISC LOCKRING BLACK ZIPP LOGO QTY 1
- 11.2018.063.002 HUB CENTERLOCK ROTOR DISC LOCKRING BLACK ZIPP LOGO (FOR ROTORS UP TO 160MM) QTY 1
- 11.5363.012.300 ROTOR BOLT KIT - STEEL (QTY 6)
- 11.5015.069.330 ROTOR BOLT KIT - T25 STEEL (QTY 24)
- 11.5315.043.000 ROTOR BOLT KIT - TITANIUM (QTY 6)
- 00.5318.027.000 ROTOR BOLT KIT - TITANIUM T25, RAINBOW BOLTS (QTY 12)
- 00.5318.027.001 ROTOR BOLT KIT - TITANIUM T25, SILVER BOLTS (QTY 12)
  
- 11.5315.040.000 ROTOR SHIM - .2MM HUB SHIM (OFFERING FINE ADJUSTMENT TO THE ROTOR POSITION)



# DISC MOUNTING CONFIGURATION - ROTOR / MOUNT CHARTS

## Rotor/ Mount Charts Disc Mounting Configuration

Use the charts below and on the following page to identify the parts you intend to use, then reference the charts on the reverse side to determine the bracket and/or spacer configuration to mount your disc brake caliper to your frame/fork. Consult your retailer for the proper rotor sizes for your bicycle.

### ⚠WARNING - CRASH HAZARD

Choose the correct bolt length for proper thread engagement. Riding a bike with improper bolt engagement can allow the brakes to disengage from the bicycle, which can lead to a crash and serious injury or death to the rider.


Charts are color coded according to configurations:

Road/ Mountain Configurations
Mountain Only Configurations
Road Only Configurations

## Rotor Size

Determine your desired rotor size to ensure it is compatible with your fork and frame.

Mount	Fork	Frame		Rotor Size
IS	160 IS	140 IS		140 mm
Flat	Flat	Flat		160 mm
Post	140 Post	140 Post		170 mm
	160 Post	160 Post		180 mm
	200 Post	180 Post		185 mm
	203 Post			200 mm
				203 mm



Identify your frame or fork's mounting standard and your preferred rotor size, then use the chart to determine the appropriate mounting configuration.






Fork / Frame	Rotor Size							
	140 mm	160 mm	170 mm	180 mm	185 mm	200 mm	203 mm	220 mm*
140 Post	Direct	20 S 20 P	30 P	40 P	-	---		
160 Post	-	Direct	10 S	20 S 20 P	25 S	40 P	--	
180 Post	---			Direct	-	20 S 20 P		40 P
200 Post	----					Direct	3 S	20 S 20 P
203 Post	----					-	Direct	17 P**

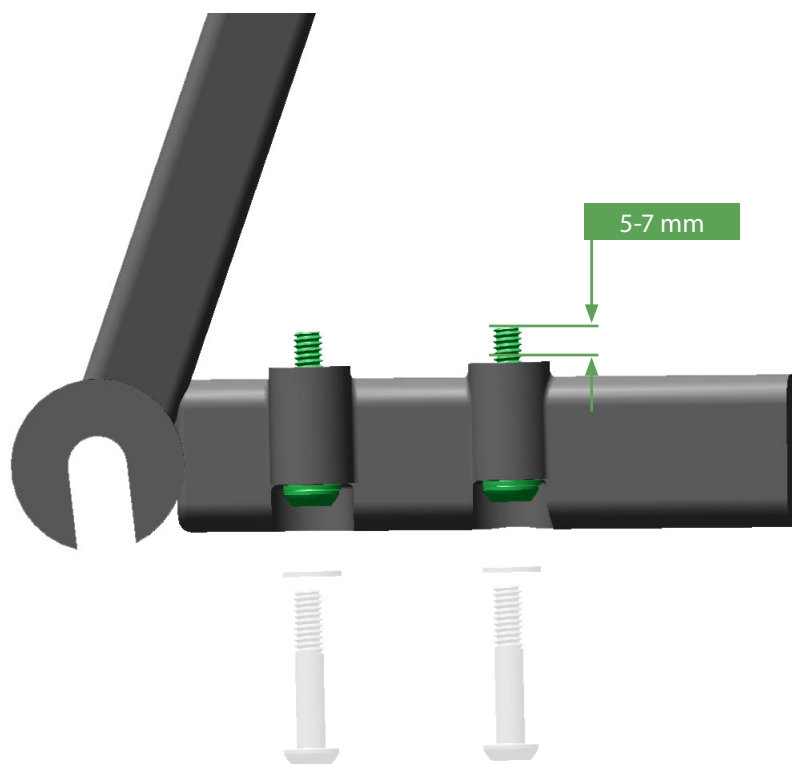
\* The 220 mm diameter rotor is designed for use with a 4-piston caliper.

\*\* The 17P Post Bracket must be used with a 203 Post Fork or Frame that meets the SRAM Disc Brake Post Mount Specification in the SRAM MTB Frame Fit Specifications on [www.sram.com/service](http://www.sram.com/service).

See "[Disc Brake Caliper Mounting Specifications for Road and MTB](#)" for installation or bracket details.

## DISC MOUNTING CONFIGURATION - ROTOR / MOUNT CHARTS

Hardware	
	Convex Washer
	Concave Washer
	Washer
	Button Head Bolt
	Flat Head Bolt



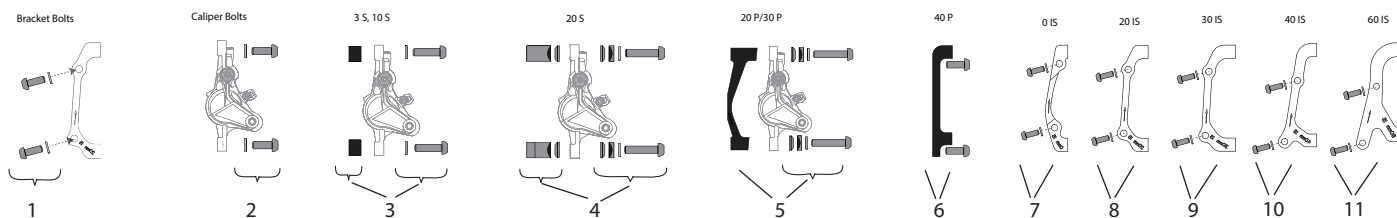
See "[Disc Brake Caliper Mounting Specifications for Road and MTB](#)" for installation or bracket details.

# MOUNTING BRACKETS & TOWERS/SPACERS / HARDWARE



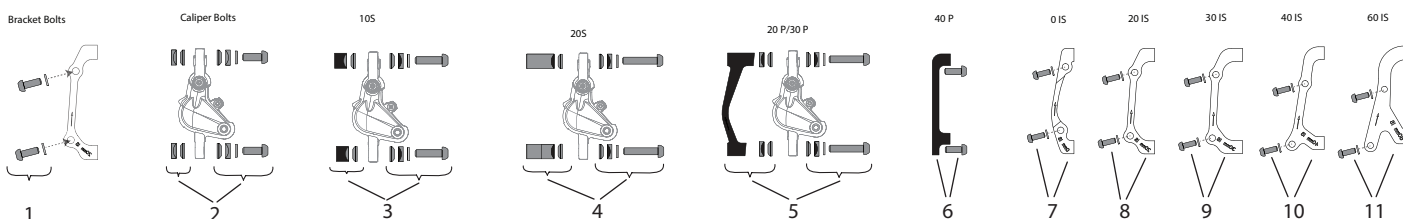
STANDARD:

GUIDE, LEVEL TRAIL, DB, Road Hydraulic, (XX, X0 & E1 2013+) & (CODE R, CODE RSC 2018+)



1	00.5318.005.000	BRACKET MOUNTING BOLTS - STAINLESS (2 PCS)
1	00.5318.005.001	BRACKET MOUNTING BOLTS - TITANIUM T25 (2 PCS)
2	00.5318.006.000	CALIPER MOUNTING HARDWARE (ALSO DIRECT MOUNT) STAINLESS - INCLUDES CALIPER MOUNTING BOLTS & WASHERS (CPS & STANDARD)
2	00.5318.006.001	CALIPER MOUNTING HARDWARE (ALSO DIRECT MOUNT) TITANIUM T25 - INCLUDES CALIPER MOUNTING BOLTS & WASHERS (STANDARD)
2	00.5318.006.005	CALIPER MOUNTING HARDWARE (ALSO DIRECT MOUNT) STAINLESS RAINBOW BOLTS - STANDARD MOUNT
4	00.5318.008.005	POST SPACER SET - 20 S (FRONT 180/REAR 160), INCLUDES TITANIUM T25 CALIPER MOUNTING BOLTS (CPS)
3	00.5318.008.000	POST SPACER SET - 10 S (FRONT 170), INCLUDES STAINLESS CALIPER MOUNTING BOLTS (CPS & STANDARD)
3	11.4018.059.000	FORK CALIPER SPACER KIT - 3S (ALLOWS FOR 203MM BRAKE ROTOR) - BOXXER B1+/ZEB A1+
4	00.5318.008.003	POST SPACER SET - 20 S (FRONT 180/REAR 160), INCLUDES STAINLESS CALIPER MOUNTING BOLTS (CPS & STANDARD)
4	00.5318.008.004	POST SPACER SET - 20 S (FRONT 180/REAR 160), INCLUDES TITANIUM T25 CALIPER MOUNTING BOLTS (STANDARD)
4	00.5318.008.005	POST SPACER SET - 20 S (FRONT 180/REAR 160), INCLUDES TITANIUM T25 CALIPER MOUNTING BOLTS (CPS)
5	00.5318.007.004	POST BRACKET - 20 P (FRONT 180/REAR 160), INCLUDES STAINLESS CALIPER MOUNTING BOLTS (CPS & STANDARD), INCREASED DEPTH FOR FITMENT OF ALL CALIPERS INCLUDING GUIDE ULTIMATE
5	00.5318.007.000	POST BRACKET - 30 P (REAR 170), INCLUDES STAINLESS CALIPER MOUNTING BOLTS (CPS & STANDARD)
6	00.5318.007.003	POST BRACKET - 40 P (FRONT 200/REAR 180), INCLUDES STAINLESS BRACKET MOUNTING BOLTS
ns	00.5318.007.005	POST BRACKET - 20 P (FRONT 180/REAR 160) (INCLUDES BRACKET & STAINLESS RAINBOW BOLTS) - STANDARD MOUNT
ns	00.5318.007.006	POST BRACKET - 40 P (FRONT 200/REAR 180), INCLUDES BRACKET & STAINLESS RAINBOW BOLTS) - STANDARD MOUNT
7	00.5318.009.000	IS BRACKET - 0 IS (FRONT 160/REAR 140) INCLUDES STAINLESS BRACKET MOUNTING BOLTS
8	00.5318.009.001	IS BRACKET - 20 IS (FRONT 180/REAR 160) INCLUDES STAINLESS BRACKET MOUNTING BOLTS
9	00.5318.009.002	IS BRACKET - 30 IS (REAR 170) INCLUDES STAINLESS BRACKET MOUNTING BOLTS
10	00.5318.009.003	IS BRACKET - 40 IS (FRONT 200/REAR 180) INCLUDES STAINLESS BRACKET MOUNTING BOLTS
11	00.5318.009.004	IS BRACKET - 60 IS (REAR 200) INCLUDES STAINLESS BRACKET MOUNTING BOLTS

CPS: GUIDE RE, (Code, Code R PRE 2018), X0, E9, E7, E5, E3, BB7, BB5, JUICY & (XX, X0 & E1 PRE 2013)



NO.	PART NUMBER	DESCRIPTION
1	00.5318.005.000	BRACKET MOUNTING BOLTS - STAINLESS (2 PCS)
1	00.5318.005.001	BRACKET MOUNTING BOLTS - TITANIUM T25 (2 PCS)
2	00.5318.006.000	CALIPER MOUNTING HARDWARE (ALSO DIRECT MOUNT) STAINLESS - INCLUDES CALIPER MOUNTING BOLTS & WASHERS (CPS & STANDARD)
2	00.5318.006.002	CALIPER MOUNTING HARDWARE (ALSO DIRECT MOUNT) TITANIUM T25 CPS - INCLUDES CALIPER MOUNTING BOLTS & WASHERS(CPS)
3	00.5318.008.000	POST SPACER SET - 10 S (FRONT 170), INCLUDES STAINLESS CALIPER MOUNTING BOLTS (CPS & STANDARD)
4	00.5318.008.003	POST SPACER SET - 20 S (FRONT 180/REAR 160), INCLUDES STAINLESS CALIPER MOUNTING BOLTS (CPS & STANDARD)
4	00.5318.008.005	POST SPACER SET - 20 S (FRONT 180/REAR 160), INCLUDES TITANIUM T25 CALIPER MOUNTING BOLTS (CPS)
5	00.5318.007.004	POST BRACKET - 20 P (FRONT 180/REAR 160), INCLUDES STAINLESS CALIPER MOUNTING BOLTS (CPS & STANDARD), INCREASED DEPTH FOR FITMENT OF ALL CALIPERS INCLUDING GUIDE ULTIMATE
5	00.5318.007.000	POST BRACKET - 30 P (REAR 170), INCLUDES STAINLESS CALIPER MOUNTING BOLTS (CPS & STANDARD)
6	00.5318.007.003	POST BRACKET - 40 P (FRONT 200/REAR 180), INCLUDES STAINLESS BRACKET MOUNTING BOLTS
7	00.5318.009.000	IS BRACKET - 0 IS (FRONT 160/REAR 140) INCLUDES STAINLESS BRACKET MOUNTING BOLTS
8	00.5318.009.001	IS BRACKET - 20 IS (FRONT 180/REAR 160) INCLUDES STAINLESS BRACKET MOUNTING BOLTS
9	00.5318.009.002	IS BRACKET - 30 IS (REAR 170) INCLUDES STAINLESS BRACKET MOUNTING BOLTS
10	00.5318.009.003	IS BRACKET - 40 IS (FRONT 200/REAR 180) INCLUDES STAINLESS BRACKET MOUNTING BOLTS
11	00.5318.009.004	IS BRACKET - 60 IS (REAR 200) INCLUDES STAINLESS BRACKET MOUNTING BOLTS

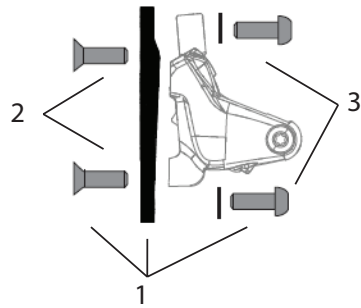
**NOTES:**

1. CPS = Caliper Positioning System. CPS caliper requires CPS hardware
2. Non-CPS/Standard caliper requires non-CPS/Standard hardware.
3. 170mm (Fork-10S, Frame-30P), 180mm (Fork-20P/20IS, Frame-40P/40IS), 200mm (Fork-40P/40IS, Frame-60IS)

See "[Disc Brake Caliper Mounting Specifications for Road and MTB](#)" for installation or bracket details.

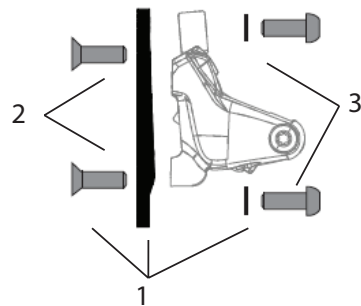
# FLAT MOUNT ROAD

Upper Button Head Bolt Length	Lower Button Head Bolt Length
-------------------------------	-------------------------------



**Front Flat 140-0F**

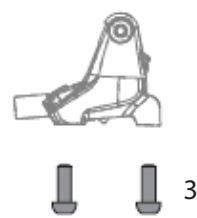
15 mm	15 mm
-------	-------



**Front Flat 160-20F**

15 mm	15 mm
-------	-------

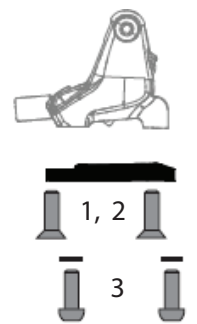
Upper Button Head Bolt Length	Lower Button Head Bolt Length
-------------------------------	-------------------------------



**Rear Flat Direct-OF Direct**

17 mm	17 mm
22 mm	22 mm
27 mm	27 mm
32 mm	32 mm
37 mm	37 mm
42 mm	42 mm

Upper Button Head Bolt Length	Lower Button Head Bolt Length
-------------------------------	-------------------------------



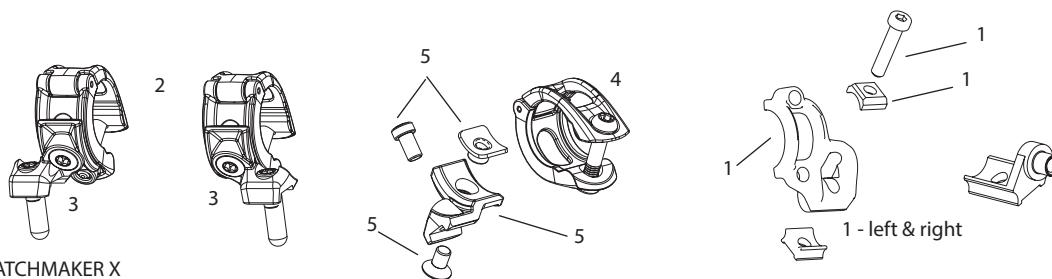
**Rear Flat 20F**

17 mm	17 mm
22 mm	22 mm
27 mm	27 mm
32 mm	32 mm
37 mm	37 mm
42 mm	42 mm

BRACKETS		
NO.	PART NUMBER	DESCRIPTION
1	00.5318.018.000	FLAT MOUNT BRACKET FRONT - 0F/20F (FRONT 140/FRONT 160), INCLUDES 2 STAINLESS BRACKET & CALIPER MOUNTING BOLTS
1	00.5318.018.001	FLAT MOUNT BRACKET FRONT/REAR- 20FD (FLATMOUNT DIRECT), INCLUDES 2 STAINLESS BRACKET MOUNTING BOLTS - RUDY
CALIPER MOUNTING BOLTS		
NO.	PART NUMBER	DESCRIPTION
2	00.5318.006.003	CALIPER MOUNTING HARDWARE STAINLESS T25 5MM (2 PCS) - FLAT MOUNT CALIPER
2	00.5318.006.004	CALIPER MOUNTING HARDWARE TITANIUM T25 5MM (2 PCS) - FLAT MOUNT CALIPER
BRACKET MOUNTING BOLTS		
NO.	PART NUMBER	DESCRIPTION
3	00.5318.005.002	BRACKET MOUNTING BOLTS - STAINLESS T25 15MM (2 PCS) - FLAT MOUNT CALIPER
3	00.5318.005.003	BRACKET MOUNTING BOLTS - TITANIUM T25 15MM (2 PCS) - FLAT MOUNT CALIPER
3	00.5318.005.004	BRACKET MOUNTING BOLTS - STAINLESS T25 27MM (2 PCS) - FLAT MOUNT CALIPER
3	00.5318.005.005	BRACKET MOUNTING BOLTS - TITANIUM T25 27MM (2 PCS) - FLAT MOUNT CALIPER
3	00.5318.005.006	BRACKET MOUNTING BOLTS - STAINLESS T25 32MM (2 PCS) - FLAT MOUNT CALIPER
3	00.5318.005.007	BRACKET MOUNTING BOLTS - TITANIUM T25 32MM (2 PCS) - FLAT MOUNT CALIPER
3	00.5318.005.008	BRACKET MOUNTING BOLTS - STAINLESS T25 37MM (2 PCS) - FLAT MOUNT CALIPER
3	00.5318.005.009	BRACKET MOUNTING BOLTS - TITANIUM T25 37MM (2 PCS) - FLAT MOUNT CALIPER
3	00.5318.005.010	BRACKET MOUNTING BOLTS - STAINLESS T25 42MM (2 PCS) - FLAT MOUNT CALIPER - RUDY
3	00.5318.005.011	BRACKET MOUNTING BOLTS - TITANIUM T25 42MM (2 PCS) - FLAT MOUNT CALIPER
3	00.5318.005.012	BRACKET MOUNTING BOLTS - STAINLESS T25 17MM (2 PCS) - FLAT MOUNT CALIPER
3	00.5318.005.013	BRACKET MOUNTING BOLTS - TITANIUM T25 17MM (2 PCS) - FLAT MOUNT CALIPER
3	00.5318.005.014	BRACKET MOUNTING BOLTS - STAINLESS T25 22MM (2 PCS) - FLAT MOUNT CALIPER
3	00.5318.005.015	BRACKET MOUNTING BOLTS - TITANIUM T25 22MM (2 PCS) - FLAT MOUNT CALIPER

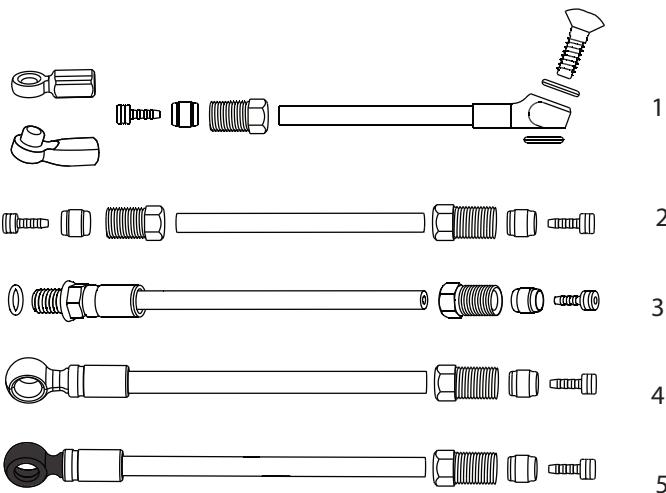
See "Disc Brake Caliper Mounting Specifications for Road and MTB" for installation or bracket details.

# MATCHMAKER / HYDRAULIC LINES AND FITTINGS



## MATCHMAKER / MATCHMAKER X

1	00.5315.006.000	MATCHMAKER PAIR, BLACK (COMPATIBLE WITH ALL SPLIT CLAMP AVID & SRAM BRAKES) INTEGRATES BRAKE AND SHIFTER INTO ONE MOUNT
2	00.5315.018.030	MATCHMAKER X, PAIR, BLACK, TITANIUM BOLTS (COMPATIBLE WITH SRAM MMX-COMPATIBLE SHIFTERS) - CODE, G2, GUIDE, LEVEL, ELIXIR, DB
3	00.5315.018.040	MATCHMAKER X, SINGLE LEFT, BLACK, TITANIUM BOLTS (COMPATIBLE WITH SRAM MMX-COMPATIBLE SHIFTERS) - CODE, G2, GUIDE, LEVEL, ELIXIR, DB
3	00.5315.018.050	MATCHMAKER X, SINGLE RIGHT, BLACK, TITANIUM BOLTS (COMPATIBLE WITH SRAM MMX-COMPATIBLE SHIFTERS) - CODE, G2, GUIDE, LEVEL, ELIXIR, DB
3	00.5315.018.051	MATCHMAKER X, PAIR, BLACK, STAINLESS T25 RAINBOW BOLTS (COMPATIBLE WITH SRAM MMX-COMPATIBLE SHIFTERS) - CODE, G2, GUIDE, LEVEL, ELIXIR, DB
4	11.5315.048.050	DISC BRAKE LEVER CLAMP - (MMX) SILVER (STAINLESS STEEL BOLT T25) - G2 (A1), GUIDE (A1-B1), LEVEL ULT/TLM/TL, CODE RSC/R, DB5 ELIXIR 9/7/CR MAG/X0/ XX, QTY 1
4	11.5315.048.070	DISC BRAKE LEVER CLAMP - (MMX) BLACK (STAINLESS STEEL BOLT T25) - G2 (A1), GUIDE (A1-B1), LEVEL ULT/TLM/TL, CODE RSC/R, DB5 ELIXIR 9/7/CR MAG/X0/ XX, QTY 1
4	11.5315.048.080	DISC BRAKE LEVER CLAMP - (MMX) BLACK (TI BOLT T25) - G2 (A1), GUIDE (A1-B1), LEVEL ULT/TLM/TL, CODE RSC/R, DB5 ELIXIR 9/7/CR MAG/X0/ XX, QTY 1
5	11.5315.049.010	DISC BRAKE LEVER CLAMP SHIFTER MOUNTING BRACKET - (MMX) LEFT -GUIDE ULT/RSC/RS/RE/R, LEVEL ULT/TLM/TL, CODE RSC/R, DB5 ELIXIR 9/7/CR MAG/X0/ XX, QTY 1
5	11.5315.049.020	DISC BRAKE LEVER CLAMP SHIFTER MOUNTING BRACKET - (MMX) RIGHT -GUIDE ULT/RSC/RS/RE/R, LEVEL ULT/TLM/TL, CODE RSC/R, DB5 ELIXIR 9/7/CR MAG/X0/ XX, QTY 1



## HYDRAULIC LINE KITS AND FITTINGS

1	00.5318.040.000	Disc Brake Hydraulic Hose Kit - Beveled Banjo -2000mmBlk (inc. banjo, fittings) - Flat Mount, Red22, Force22, Rival22, Force 1, Force CX1, Apex1 HRD, S700
2	00.5318.036.000	Disc Brake Hydraulic Hose Kit - Double Compression -2000mmBlk-AVIDCode/R, Elixir1/3, Juicy3, DB 1/3/8, LevelULT/TLM(B1), Level/T, Guide RE, G2 RE/RS/R, S9002P (Red, Force, Rival-2PeTapAXS)
3	00.5318.037.000	Disc Brake Hydraulic Hose Kit - Threaded Inline Crimp -2000mmBlk (inc. crimp & fittings) - Elixir 5/7/9/R/CR/X0, Guide RSC (A1), Guide R/RS (A1), DB5, Level TL/BRZ 2P
4	00.5318.038.000	Disc Brake Hydraulic Hose Kit - Silver Banjo -2000mmBlk (inc. banjo, fittings) - XX, Juicy5/7/, Guide R/RS/RSC/Ult (B1), Guide T(A1), G2 RSC/ULT, MAVEN ULT/SLV (A1)
5	00.5318.039.000	Disc Brake Hydraulic Hose Kit - Black Banjo -2000mmBlk (inc. banjo, fittings) - Level ULT, Level TLM (A1), CODE R/RSC (B1), Red eTap HRD, S900 Monoblock
ns	11.5378.803.004	DISC BRAKE HOSE FITTING KIT - (INCLUDES 1 THREADED HOSE BARB, 1 RED COMP FITTING) - AVID & SRAM BRAKES
ns	11.5378.803.002	DISC BRAKE HOSE FITTING KIT - (INCLUDES 5 THREADED HOSE BARBS, 5 RED COMP FITTINGS, 1 T8 TORX) - AVID & SRAM BRAKES
ns	11.5378.803.003	DISC BRAKE HOSE FITTING KIT - (INCLUDES 50 THREADED HOSE BARBS, 50 RED COMP FITTINGS, 1 T8 TORX) - AVID & SRAM BRAKES

## BLEED KITS / TOOLS / BRAKE FLUID / GREASE

### BLEED KITS & FITTINGS

PART NUMBER	DESCRIPTION
00.5318.045.000	Standard Brake Bleed Kit (includes 2 syringes/fittings, bleed blocks, Torx tool, crowfoot, Bleeding Edge Fitting, DOT5.1 hydraulic fluid) V2 - SRAM X0/ XX/ Guide/Level/Code/HydroR/G2
00.5318.045.001	Standard Brake Bleed Kit (includes 2 syringes/fittings, bleed blocks, Torx tool, crowfoot, Bleeding Edge Fitting) V2 - SRAM X0/ XX/ Guide/Level/Code/HydroR/G2
00.5318.045.002	Pro Brake Bleed Kit (includes 2 syringes/fittings, bleed blocks, Torx tool, crowfoot, Bleeding Edge Fitting, DOT 5.1hydraulic fluid) V2 - SRAM X0/ XX/ Guide/Level/Code/HydroR/G2
00.5318.045.003	Pro Brake Bleed Kit (includes 2 syringes/fittings, bleed blocks, Torx tool, crowfoot, Bleeding Edge Fitting) V2 - SRAM X0/ XX/ Guide/Level/Code/HydroR/G2
00.5318.015.001	SRAM TOOL BLEEDING EDGE (WORKS WITH AVID/SRAM PRO BLEED KITS) -S4/MONOBLOCK CALIPERS,GUIDE ULT/RSC/RS/R (B1)/T (A1),LEVEL ULT/SLV/TLM (A1),G2,CODE A1-C1
11.5315.053.040	DISC BRAKE BLEED KIT - O-RING KIT (INCLUDES QTY 10 - FITTING O-RING2 , COUPLING O-RINGS & BLEEDING EDGE O-RINGS) - PRO BLEED SYRINGE
11.5378.804.000	DISC BRAKE BLEED KIT - HOSE KIT (INCLUDES 2 HOSES, 4 FITTING O-RINGS & 2 COUPLING O-RINGS) - PRO BLEED SYRINGE

### BLEED BLOCKS & PAD SPREADER TOOLS

PART NUMBER	DESCRIPTION
11.5015.014.030	DISC BRAKE BLEED BLOCK - ELIXIR/DB
11.5015.014.050	DISC BRAKE BLEED BLOCK - GUIDE/TRAIL
11.5315.046.020	DISC BRAKE PAD SPACER 2.6MM - ELIXIR/DB CALIPER QTY 2
11.5315.046.040	DISC BRAKE PAD SPACER 2.8MM - GUIDE/TRAIL/CODE CALIPER QTY 2
11.5015.014.040	DISC BRAKE BLEED BLOCK - CODE 2011
11.5015.014.060	DISC BRAKE BLEED BLOCK - HYDRAULIC ROAD DISC
11.5015.014.070	DISC BRAKE BLEED BLOCK - S4 CALIPERS - GUIDE ULTIMATE/RSC B1/RS B1/R B1
11.5015.014.080	DISC BRAKE BLEED BLOCK - MONOBLOCK - LEVEL ULTIMATE/TLM/ ETAP HRD

### TOOLS

PART NUMBER	DESCRIPTION
00.5318.015.001	SRAM TOOL BLEEDING EDGE (WORKS WITH AVID/SRAM PRO BLEED KITS) -S4/MONOBLOCK CALIPERS,GUIDE ULT/RSC/RS/R (B1)/T (A1),LEVEL ULT/SLV/TLM (A1),G2,CODE A1-C1
00.5318.015.002	SRAM TOOL LEVER PIVOT TOOL (FOR LEVER REMOVAL & LEVER SERVICE) - LEVEL TLM/TL
00.5318.026.000	SRAM Caliper 21mm Piston Removal Tool (includes plug, removal block) - Level ULT/TLM/SLV eTap HRD
11.5364.102.000	ROTOR TORX WRENCH (T25, T10)
00.5315.028.030	SRAM HYDRAULIC HOSE BARB DRIVER TOOL (FOR NON-THREADED BARBSONLY)
00.5318.013.002	HYDRAULIC HOSE CUTTER TOOL, HAND-HELD - SRAM
00.5318.013.003	PRO HYDRAULIC HOSE CUTTER TOOL, HAND-HELD - SRAM
00.5318.015.000	LEVER INTERNALS ASSEMBLY TOOL (FOR SETTING PUSHROD DISTANCE AND INSTALLING INTERNALS) -GUIDE ULT/RSC,CODE RSC/ULT/SLV, MAVEN ULT/SLV

### GREASE & FLUIDS

PART NUMBER	DESCRIPTION
00.5318.017.000	DOT 5.1 HYDRAULIC BRAKE FLUID 4OZ(120ML) - SRAM
11.5315.045.000	GREASE SRAM DOT ASSEMBLY GREASE 1OZ - RECOMMENDED FOR LEVERPISTONS, HOSE COMPRESSION NUTS, THREADED BARBS & OLIVES

## TACKLEBOX/ BULK KITS

### TACKLEBOX

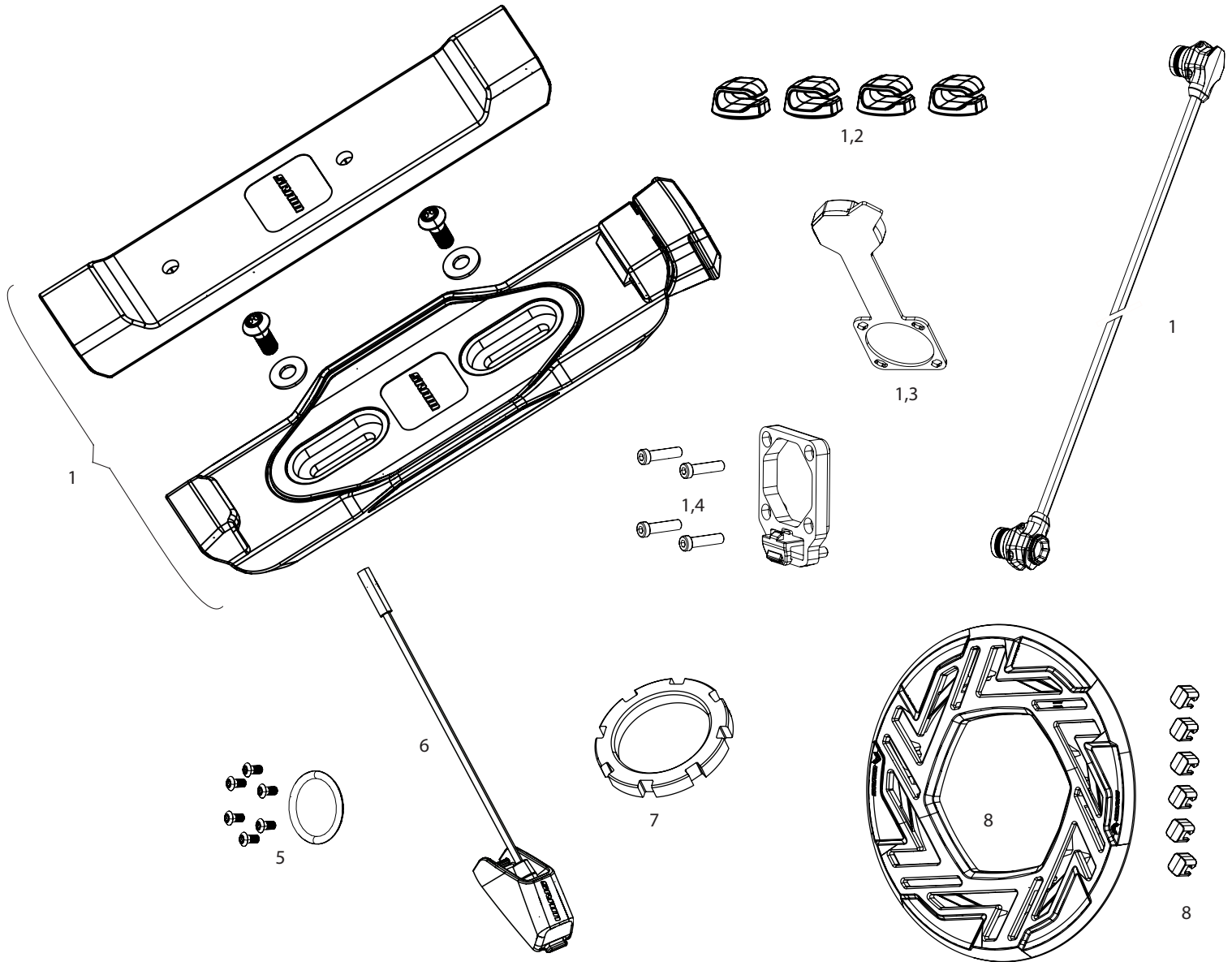
PART NUMBER	DESCRIPTION
11.5018.035.000	DISC BRAKE TACKLE BOX - GUIDE BRAKES

### BULK KITS

PART NUMBER	DESCRIPTION
11.5309.766.000	DISC BRAKE COMPRESSION HOSE NUT - (QTY 5)
11.5215.019.000	DISC BRAKE LEVER RESERVOIR BLEED SCREW/O-RING - STAINLESS (QTY 20)
11.5018.036.012	DISC BRAKE CALIPER PISTON SEALS - (10 SETS) - TRAIL, GUIDE R/RS/RSC
11.5015.069.410	DISC BRAKE PAD H-SPRING - (QTY 20) - XO TRAIL, GUIDE S4/ULT, G2 R/RS/RSC/ULT
11.5015.069.330	ROTOR BOLT KIT - T25 STEEL (QTY 24)
11.5018.036.019	DISC BRAKE LEVER PISTON KIT - (INCLUDES RETURN SPRING) VERSION 2 (QTY 6) - GUIDE R/RS, G2 R/RS
11.5018.036.020	DISC BRAKE LEVER PISTON KIT - (INCLUDES RETURN SPRING) VERSION 2 (QTY 6) - GUIDE RSC/ULTIMATE, G2 ULT (A1)
11.5018.037.000	DISC BRAKE PADS - ORGANIC/STEEL (20 SETS) MONOBLOCK - SRAM HYDRAULIC ROAD DISC, LEVEL A1 (2017-2019)
11.5018.037.001	DISC BRAKE PADS - ORGANIC/ALUMINUM (20 SETS) MONOBLOCK - SRAM HYDRAULIC ROAD DISC, LEVEL A1 (2017-2019)
11.5018.037.002	DISC BRAKE PADS - SINTERED/STEEL (20 SETS) - MONOBLOCK - SRAM HYDRAULIC ROAD DISC, LEVEL A1 (2017-2019)
11.5015.040.030	DISC BRAKE PADS - SINTERED/STEEL (20 SETS) - GUIDE/TRAIL/G2
11.5015.040.070	DISC BRAKE PADS - ORGANIC/ALUMINUM (20 SETS) - GUIDE/TRAIL/G2
11.5018.063.000	DISC BRAKE PADS - ORGANIC/STEEL (20 SETS) (POWERFUL) - TRAIL/GUIDE/G2
00.5318.015.001	SRAM TOOL BLEEDING EDGE (WORKS WITH AVID/SRAM PRO BLEED KITS) -S4/MONOBLOCK CALIPERS,GUIDE ULT/RSC/RS/R (B1)/T (A1),LEVEL ULT/SLV/TLM (A1),G2,CODE A1-C1
11.5364.102.000	Rotor Torx Wrench (T25, T10)
00.5318.015.000	LEVER INTERNALS ASSEMBLY TOOL (FOR SETTING PUSHROD DISTANCE AND INSTALLING INTERNALS) -GUIDE ULT/RSC,CODE RSC/ULT/SLV, MAVEN ULT/SLV

# EAGLE TRANSMISSION POWERTRAIN & RANGE EXTENDER (ETP)

BT-ETP-RE-A1, BT-ETP-REH-A1



NO.	PART NUMBER	DESCRIPTION
1	11.3018.025.002	AM RANGE EXTENDER HOLDER SYSTEM AND CABLE W/CONNECTOR 320MM (EAGLE TRANSMISSION POWERTRAIN)
1	11.3018.025.003	AM RANGE EXTENDER HOLDER SYSTEM AND CABLE W/CONNECTOR 185MM (EAGLE TRANSMISSION POWERTRAIN)
1	11.3018.025.004	AM RANGE EXTENDER HOLDER SYSTEM AND CABLE W/CONNECTOR 140MM (EAGLE TRANSMISSION POWERTRAIN)
2	11.3018.035.000	AM RANGE EXTENDER CABLE CLIPS QTY4
3	11.3018.036.000	AM BT ETP RANGE EXTENDER DUST COVER (QTY1)
4	11.3018.031.000	AM BT ETP RANGE EXTENDER SNAPFRAME (INCLUDING 4 M3 BLACK BOLTS)
5	11.3018.027.000	SPEED RING MOUNTING KIT (BOLTS+ORING)
6	11.3018.028.000	EP CABLE EXTENSION CORD 780MM EAGLE TRANSMISSION POWERTRAIN
6	11.3018.028.001	EP CABLE EXTENSION CORD 955MM EAGLE TRANSMISSION POWERTRAIN
7	11.6218.056.000	CHAINRING LOCK RING ISIS DRIVE UNIT FOR EAGLE TRANSMISSION POWERTRAIN
8	11.6218.053.001	PEDAL ASSIST T-TYPE CHAINRING CLIP ON GUARD UNISIZE 38T/36T/34T (EMTB) INCLUDING 6 SAFETY CLIPS FOR ETP
ns	00.3018.356.000	EP BATTERY CHARGER 4A EU EAGLE TRANSMISSION POWERTRAIN
ns	00.3018.356.004	EP EU PLUG FOR BATTERY CHARGER EAGLE TRANSMISSION POWERTRAIN
ns	00.3018.356.005	EP UK PLUG FOR BATTERY CHARGER EAGLE TRANSMISSION POWERTRAIN
ns	00.3018.356.006	EP US PLUG FOR BATTERY CHARGER EAGLE TRANSMISSION POWERTRAIN
ns	00.3018.356.007	EP AUS/NZ PLUG FOR BATTERY CHARGER EAGLE TRANSMISSION POWERTRAIN
ns	00.3018.356.008	EP SPLIT Y CABLE CHARGER EAGLE TRANSMISSION POWERTRAIN 1000MM (FOR CHARGING BATTERY AND RANGE EXTENDER SIMULTANEOUSLY)
ns	00.3018.383.002	AM Eagle Powertrain Software and Diagnostic Tool (for dealers and service only) - Complete set including adapter cable, usb connector and dongle
ns	11.3018.019.000	EP COVER KIT FOR CHARGE PORT (INCLUDING 4 BOLTS) FOR EAGLE TRANSMISSION POWERTRAIN
ns	11.3018.023.002	C-SHAPE MOUNTING SYSTEM BATTERY SIDE BRACKET NON-CONNECTOR MOUNTING KIT



## SRAM® ORIGINAL PARTS

### Caution:

The SRAM Warranty policy does not cover damages caused by the use of non-SRAM parts.

Use only SRAM parts with SRAM components.

Installation of parts and accessories not originally intended could result in less than optimal performance and/or injury.

For in-depth service information on SRAM products, refer to our website at [www.sram.com/service](http://www.sram.com/service). Contact your local SRAM distributor or dealer for ordering information.

Information contained in this publication is subject to change at any time without prior notice. Your product's appearance may vary from the diagrams contained in this catalog.

**Copyright® 2024 SRAM LLC**

This publication includes trademarks and registered trademarks of SRAM LLC designated by the symbols ™ and ®, respectively.

Information may be changed or enhanced without prior notice.

**Rev E, Released August, 2024**

Material printed herein is intended for the use of SRAM distributors only. All information concerning price is confidential.



**WORLD HEADQUARTERS**

SRAM, LLC  
1000 West Fulton Market  
4th Floor  
Chicago, Illinois 60607 USA  
Dealers: +1-800-346-2928  
Tel: +1-312-664-8800  
Fax: +1-312-664-8826

**EUROPEAN HEADQUARTERS**

SRAM EUROPE SALES & SERVICES BV  
Paasbosweg 14-16  
3862ZS Nijkerk  
The Netherlands  
Tel: +31-33-4506060  
Fax: +31-33-4570200

**ASIAN HEADQUARTERS**

SRAM TAIWAN  
No. 1598-8 Chung Shan Road  
Shen Kang Hsiang, Taichung  
County 429  
Taiwan  
Tel: +886-4-2521-3688  
Fax: +886-4-2561-3686